



US00D686449S

(12) **United States Design Patent**  
**Pryor**

(10) **Patent No.:** **US D686,449 S**  
(45) **Date of Patent:** **\*\* Jul. 23, 2013**

(54) **LID FOR A TUB**

(75) Inventor: **James Garfield Pryor**, Berks (GB)

(73) Assignee: **Conopco, Inc.**, Englewood Cliffs, NJ  
(US)

(\*\*) Term: **14 Years**

(21) Appl. No.: **29/415,740**

(22) Filed: **Mar. 14, 2012**

(30) **Foreign Application Priority Data**

Sep. 19, 2011 (EM) ..... 001919176-0001

(51) **LOC (9) Cl.** ..... **07-02**

(52) **U.S. Cl.**  
USPC ..... **D7/392.1**

(58) **Field of Classification Search**  
USPC ..... D7/391, 392, 392.1, 505, 538, 540,  
D7/542, 543, 544, 545; D9/435, 447, 449,  
D9/452, 453, 454; 220/200, 212.5, 287, 315,  
220/369, 380, 522, 784, 793, 799, 810; 206/501,  
206/502; 222/545, 566  
See application file for complete search history.

(56) **References Cited**

**U.S. PATENT DOCUMENTS**

D133,532 S \* 8/1942 Karstadt ..... D7/542  
D236,574 S \* 9/1975 Rothstein ..... D7/544

4,351,447 A \* 9/1982 Graff ..... 220/793  
D281,758 S \* 12/1985 Trombly ..... D7/392.1  
D287,208 S \* 12/1986 Daenen et al. .... D7/392.1  
D333,754 S \* 3/1993 Conti ..... D7/392.1  
D370,598 S \* 6/1996 Koch ..... D7/543  
D412,639 S \* 8/1999 Demore ..... D7/391  
D415,385 S \* 10/1999 Loew et al. .... D7/392.1  
D422,176 S \* 4/2000 Laib ..... D7/392.1  
D483,989 S \* 12/2003 Lillelund et al. .... D7/392.1  
D582,218 S \* 12/2008 Curtin ..... D7/629  
D596,454 S \* 7/2009 de Groote ..... D7/392.1

\* cited by examiner

*Primary Examiner* — Susan E Krakower

(74) *Attorney, Agent, or Firm* — Alan A. Bornstein

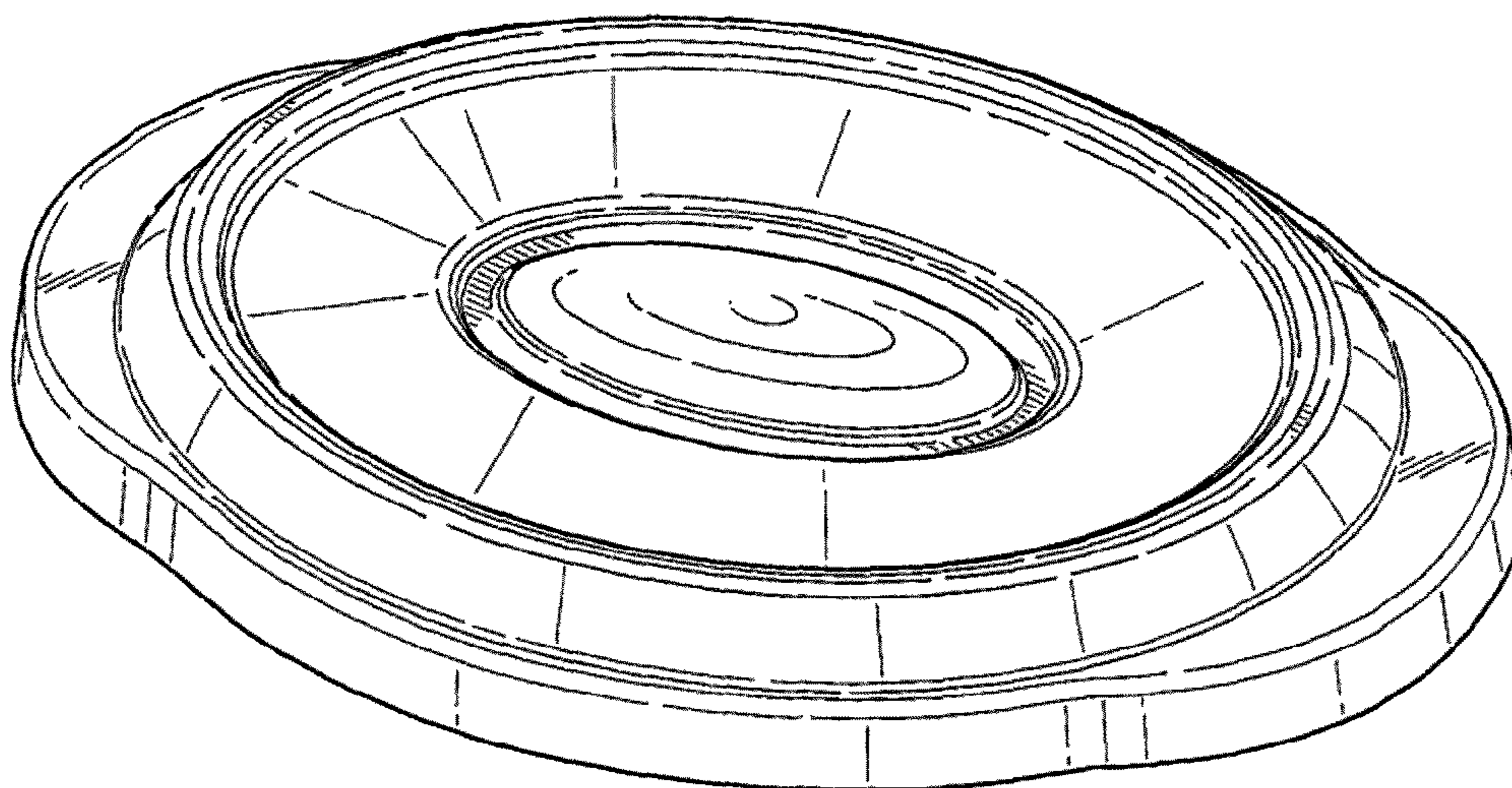
(57) **CLAIM**

The ornamental design for a lid for a tub, as shown and described.

**DESCRIPTION**

FIG. 1 is a perspective view from top front and side of a lid for a tub in accordance with my new design;  
FIG. 2 is a elevational view of the side thereof;  
FIG. 3 is a elevational view of the opposite side thereof;  
FIG. 4 is a elevational view of the front thereof;  
FIG. 5 is a elevational view of the rear thereof;  
FIG. 6 is a top plan view thereof; and,  
FIG. 7 is a bottom plan view thereof.

**1 Claim, 3 Drawing Sheets**



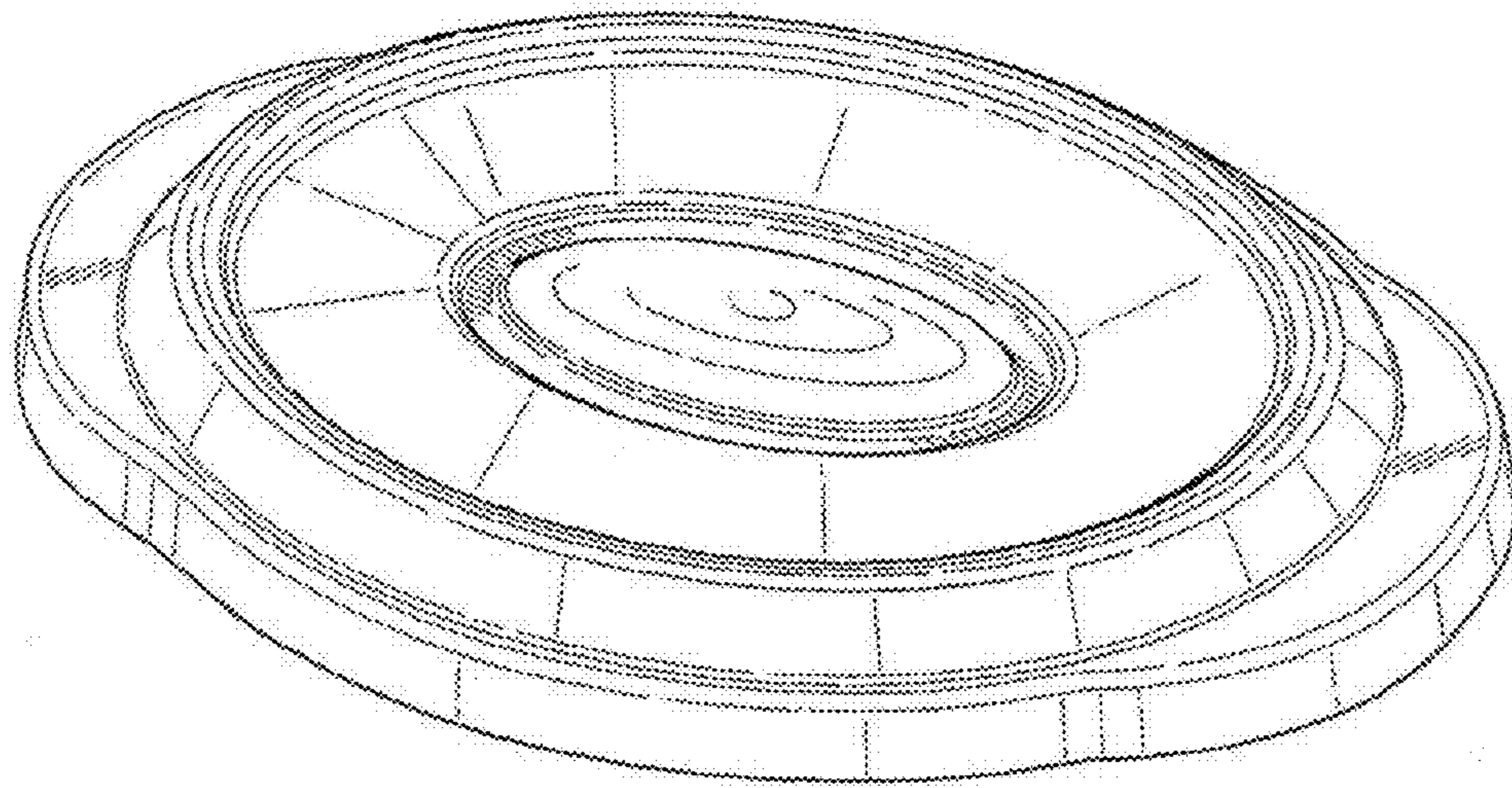


Fig. 1

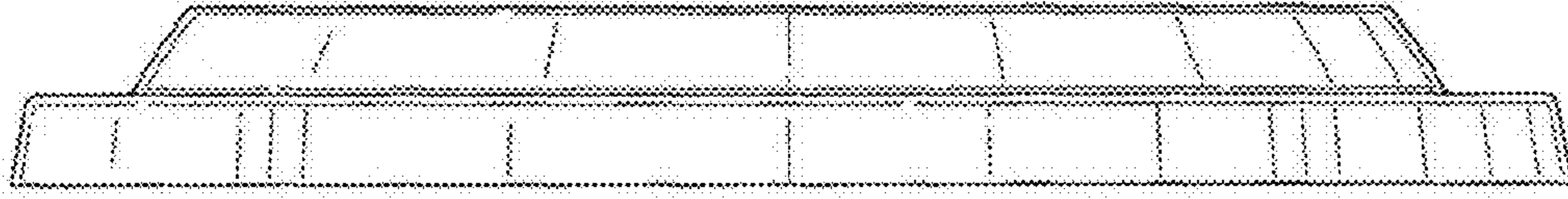


Fig. 2

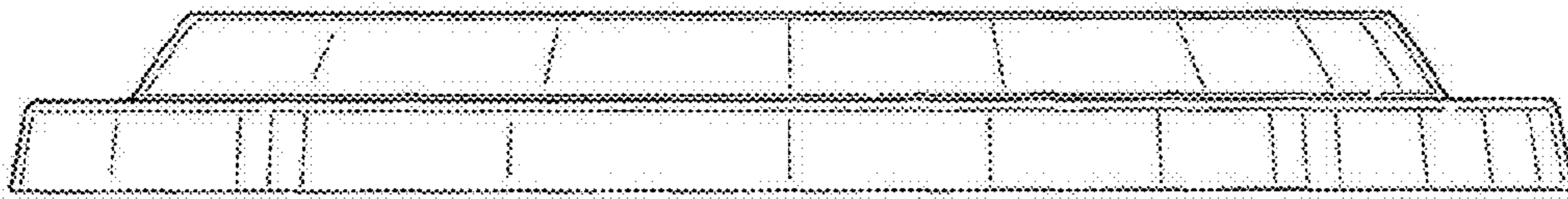


Fig. 3

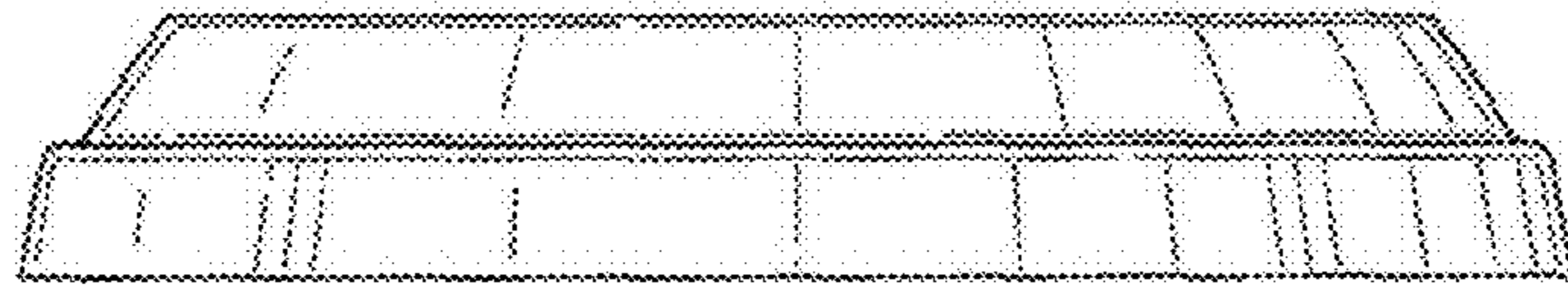


Fig. 4

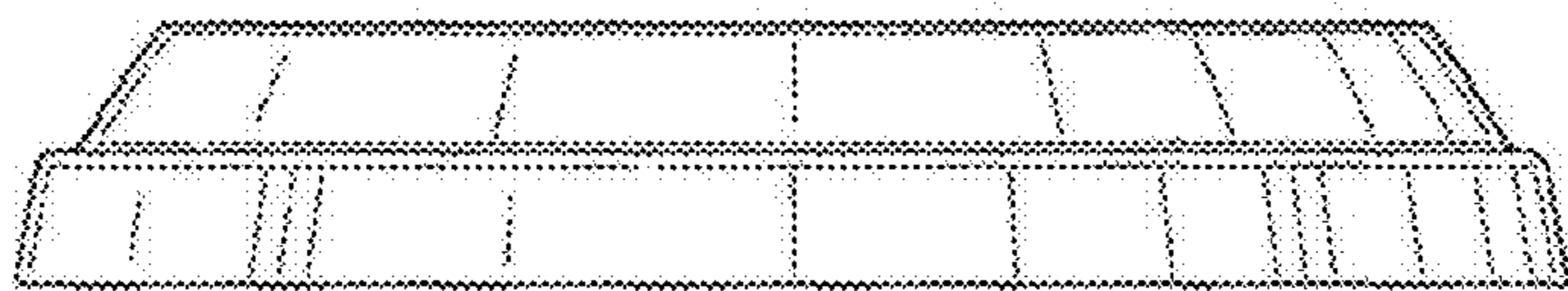


Fig. 5

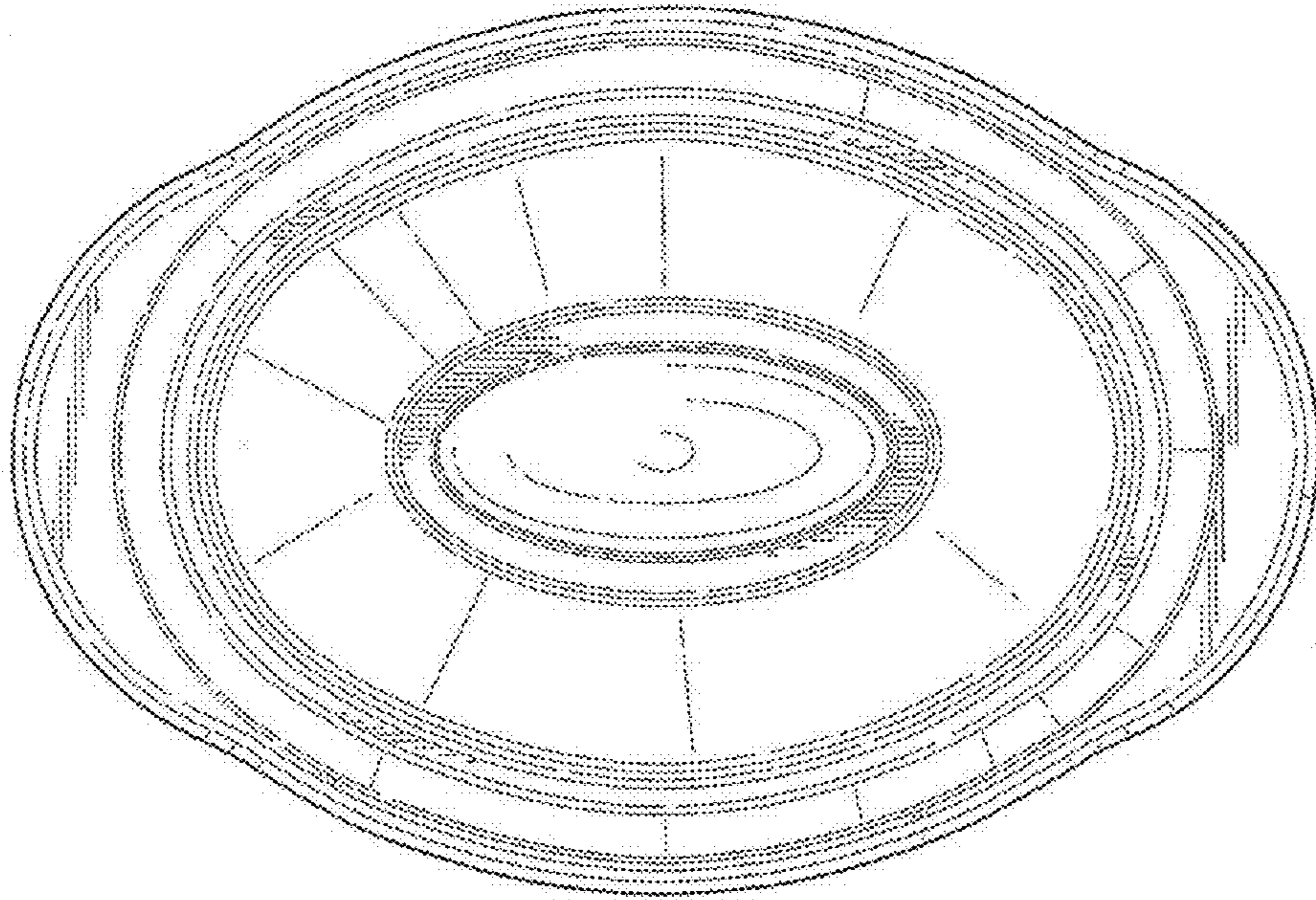


Fig. 6

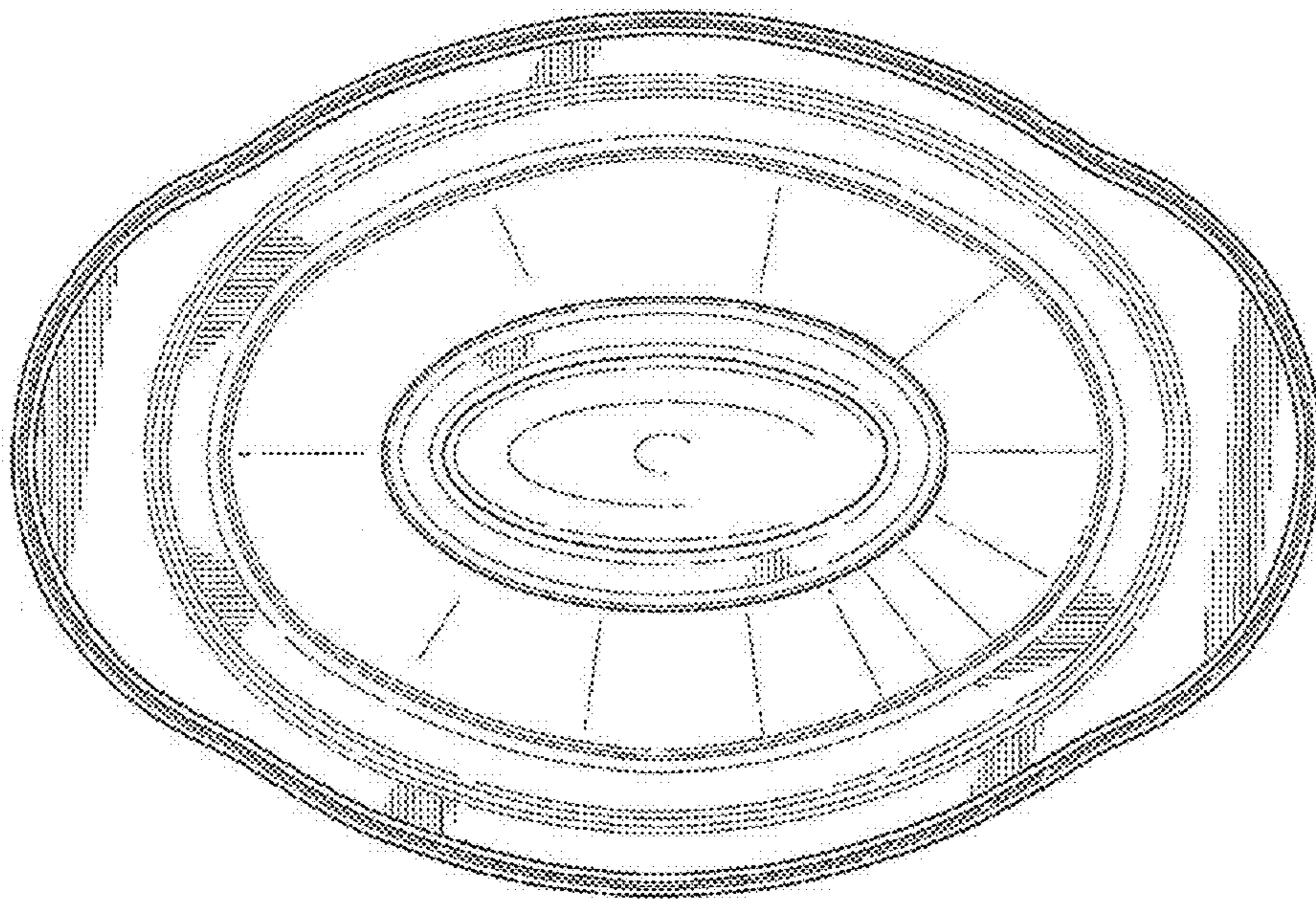


Fig. 7