



US00D686448S

(12) **United States Design Patent**
Boroski

(10) **Patent No.:** **US D686,448 S**
(45) **Date of Patent:** **** Jul. 23, 2013**

(54) **LID FOR A BOTTLE**

(75) Inventor: **Dwayne Boroski**, Lake in the Hills, IL (US)

(73) Assignee: **Thermos L.L.C.**, Schaumburg, IL (US)

(**) Term: **14 Years**

(21) Appl. No.: **29/401,205**

(22) Filed: **Sep. 8, 2011**

(51) **LOC (9) Cl.** **07-02**

(52) **U.S. Cl.**
USPC **D7/392.1; D9/443**

(58) **Field of Classification Search**
USPC D7/300, 300.1, 391, 392, 392.1, D7/396.2, 509-511, 523, 608, 900; D9/443, D9/446, 447, 449, 450, 453, 454, 505; 215/11.6, 215/44, 224, 229, 306, 311; 220/3.75, 23.83, 220/212.5, 292, 714, 705; 222/83, 420, 450, 222/530, 543

See application file for complete search history.

(56) **References Cited**

U.S. PATENT DOCUMENTS

4,892,234	A *	1/1990	Bennett	222/484
6,116,458	A *	9/2000	Dark	220/709
6,276,560	B1 *	8/2001	Belcastro	220/709
D518,335	S *	4/2006	Naft et al.	D7/608
D528,862	S *	9/2006	Li	D7/510
7,533,783	B2 *	5/2009	Choi et al.	220/714
D608,640	S *	1/2010	Carreno	D9/449
D624,357	S *	9/2010	George	D7/396.2

D634,161	S *	3/2011	Roth et al.	D7/510
7,997,442	B2 *	8/2011	Pinelli	220/715
D655,131	S *	3/2012	Nilsson	D7/392.1
D657,994	S *	4/2012	Wahl et al.	D7/392
D669,310	S *	10/2012	Barreto et al.	D7/510

OTHER PUBLICATIONS

Contigo—Autospout Addison Water Bottle—24 oz., printed Jun. 20, 2012.
Zojirushi product—Stainless Steel Vacuum Bottle Model No. ST-KA12, printed Jul. 26, 2011.

* cited by examiner

Primary Examiner — Susan E Krakower

(74) *Attorney, Agent, or Firm* — Schiff Hardin LLP

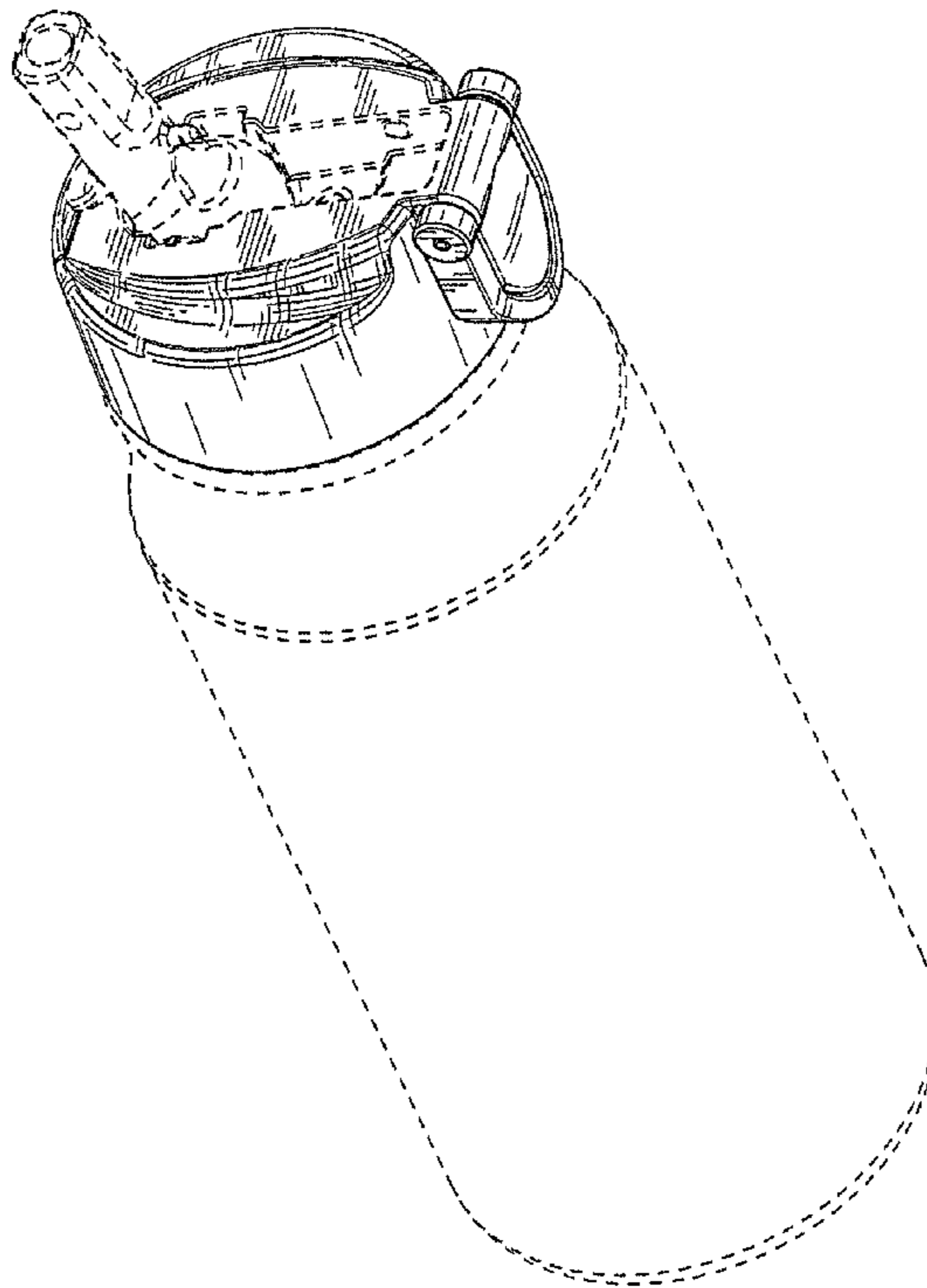
(57) **CLAIM**

The ornamental design for a lid for a bottle, as shown and described.

DESCRIPTION

FIG. 1 is a perspective view of a lid for a bottle showing my new design;
FIG. 2 is a top plan view of the lid shown in FIG. 1;
FIG. 3 is a bottom plan view of the lid shown in FIG. 1;
FIG. 4 is a front elevational view of the lid shown in FIG. 1;
FIG. 5 is a rear elevational view of the lid shown in FIG. 1;
FIG. 6 is a left side elevational view of the lid shown in FIG. 1; and,
FIG. 7 is a right side elevational view of the lid shown in FIG. 1.
The bottle and the nozzle portion shown in FIGS. 1-7 are shown in broken lines to represent environmental structure and form no part of the claimed design.

1 Claim, 6 Drawing Sheets



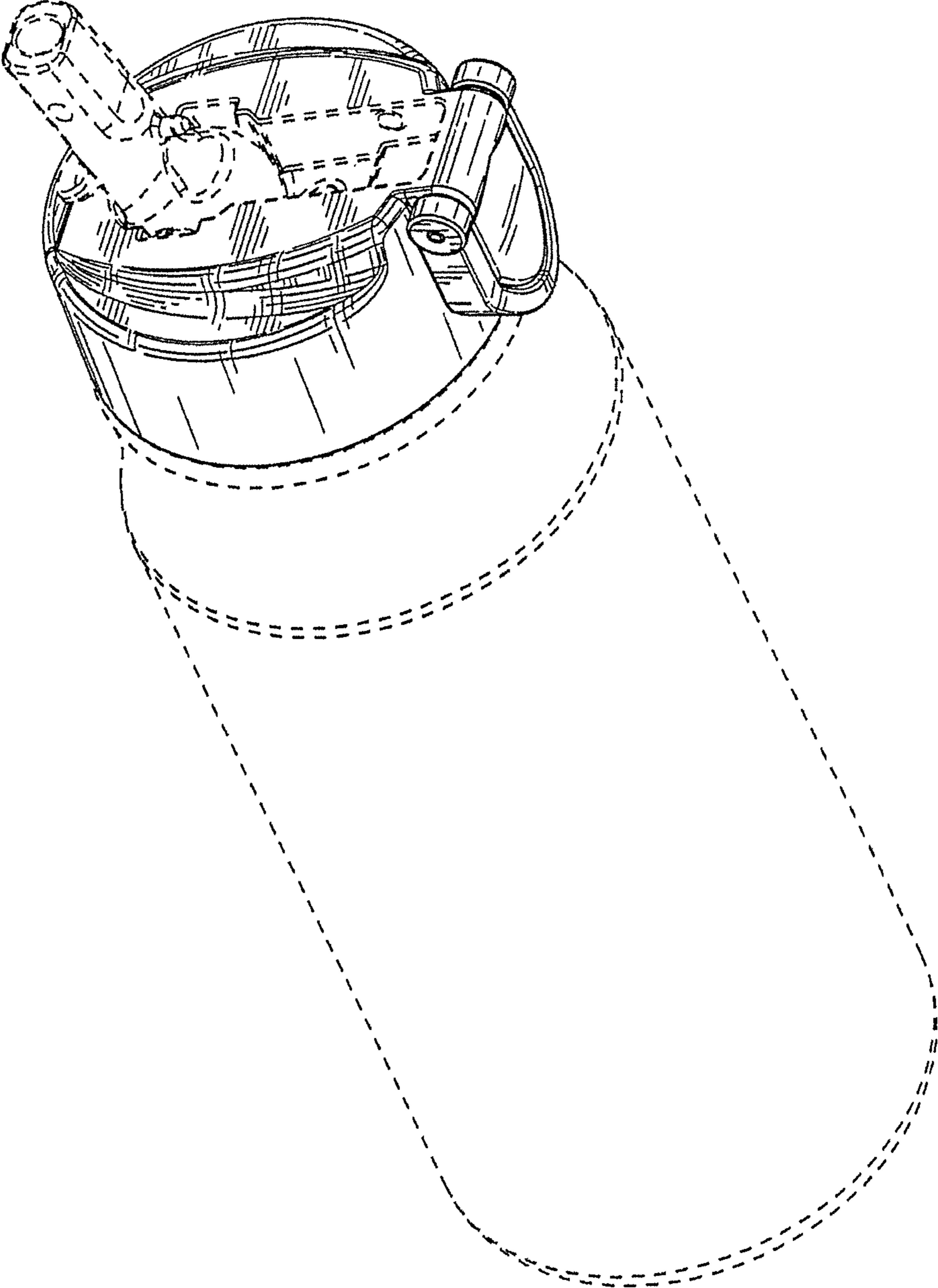


Figure 1

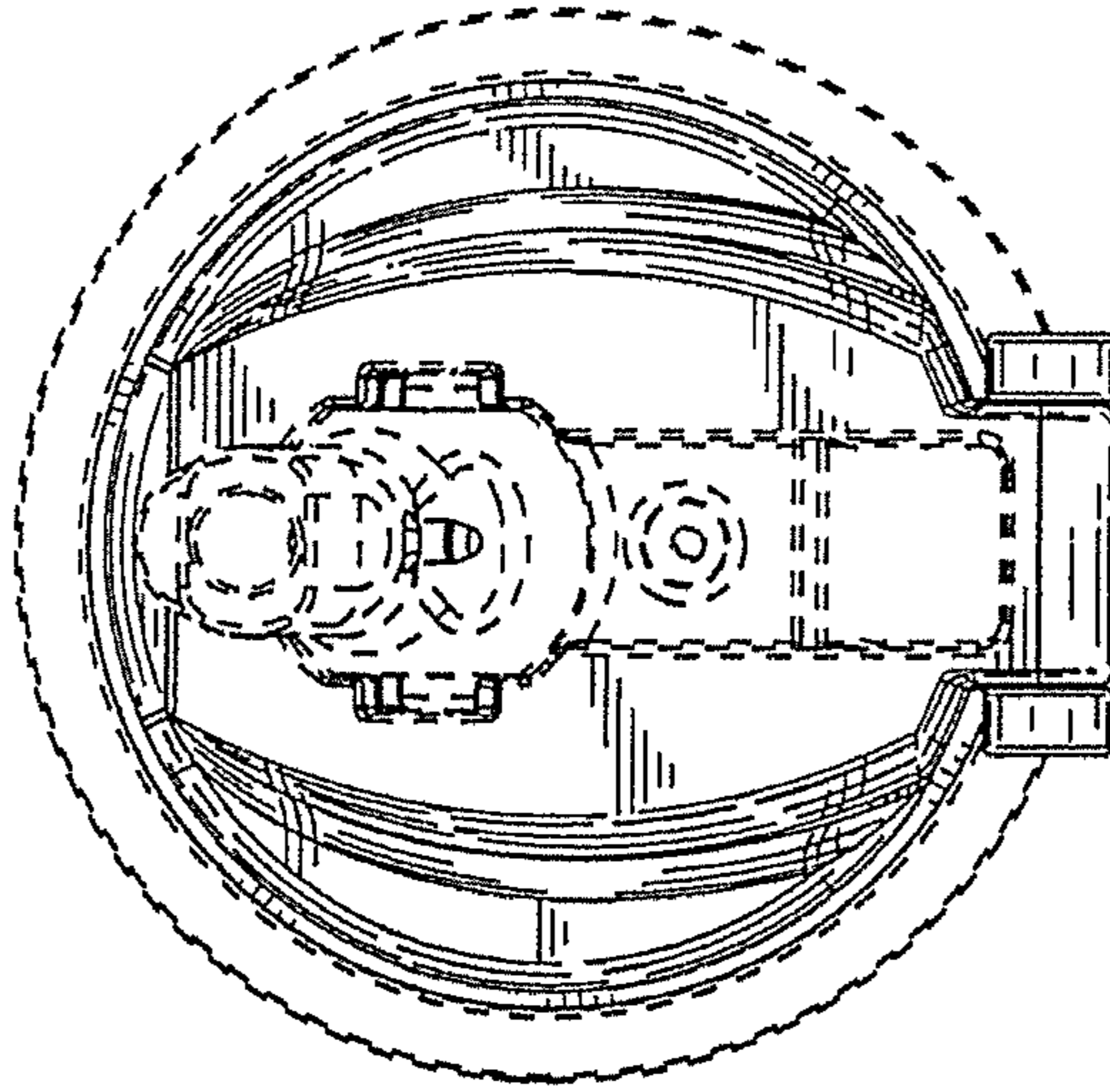


Figure 2

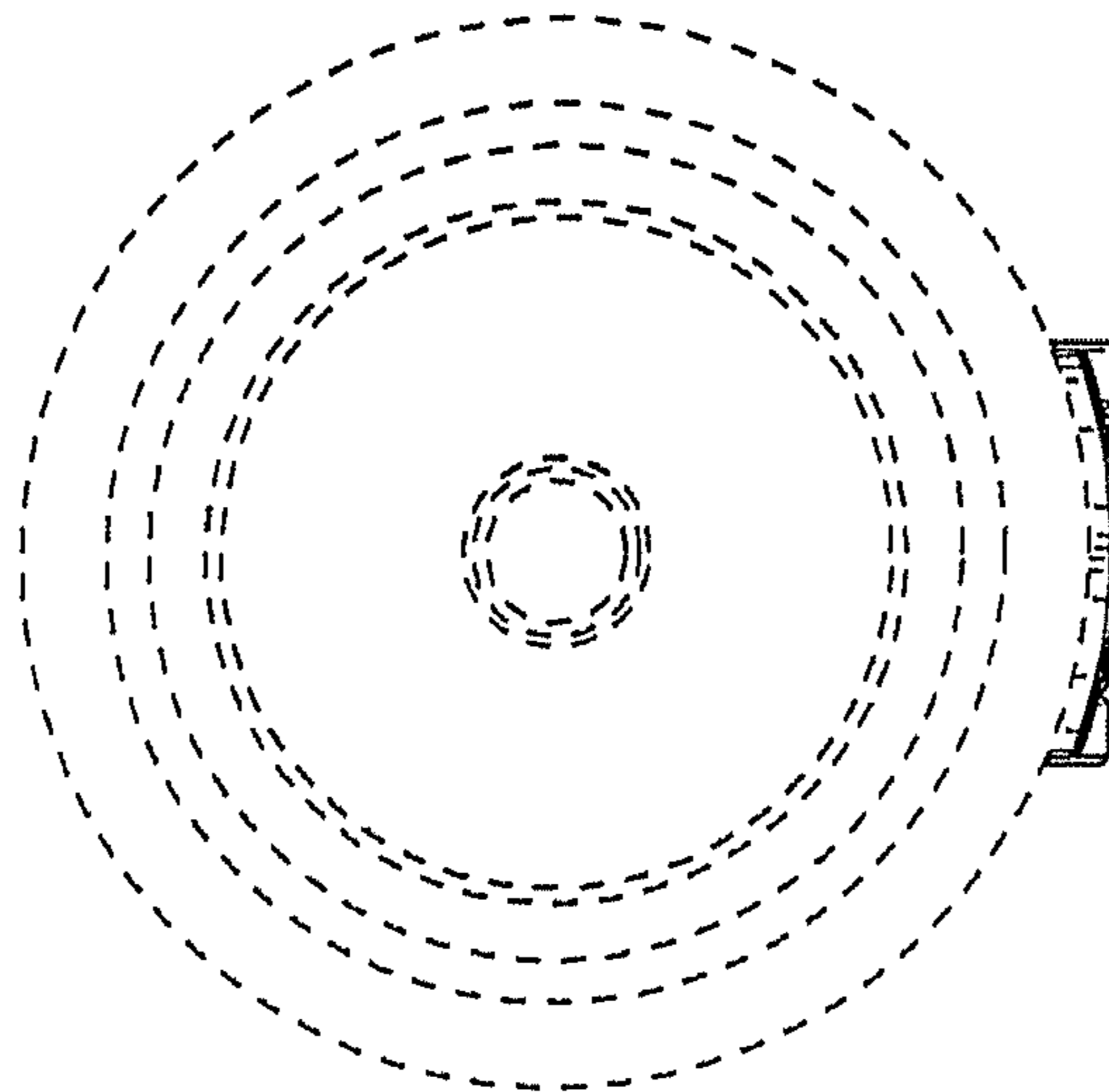


Figure 3

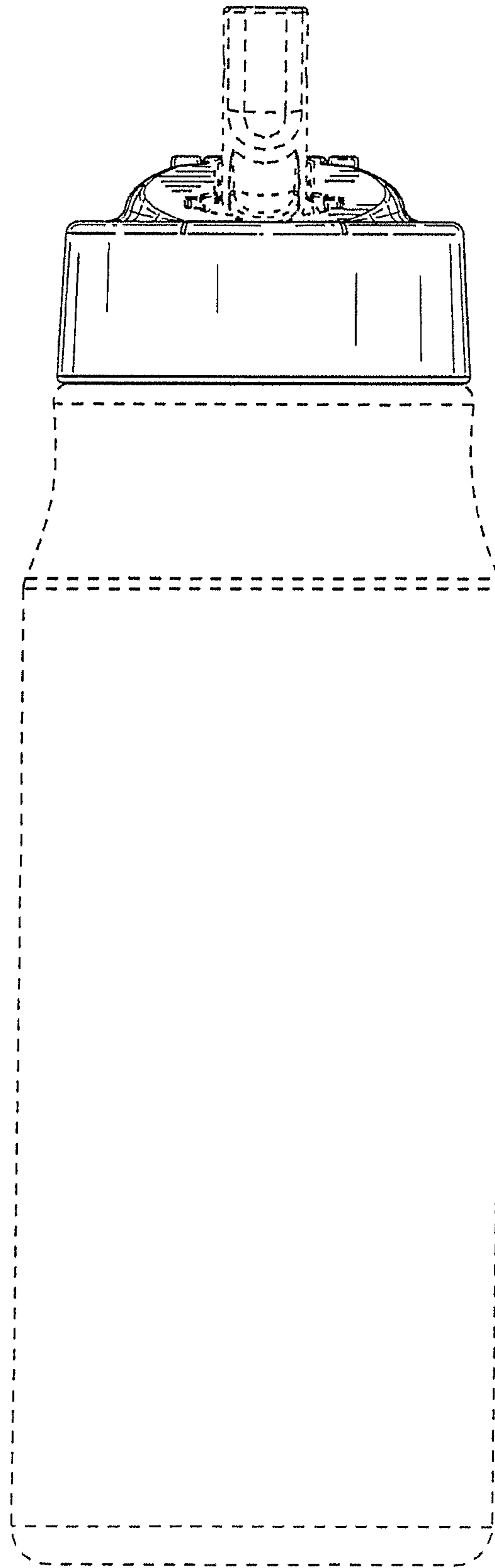


Figure 4

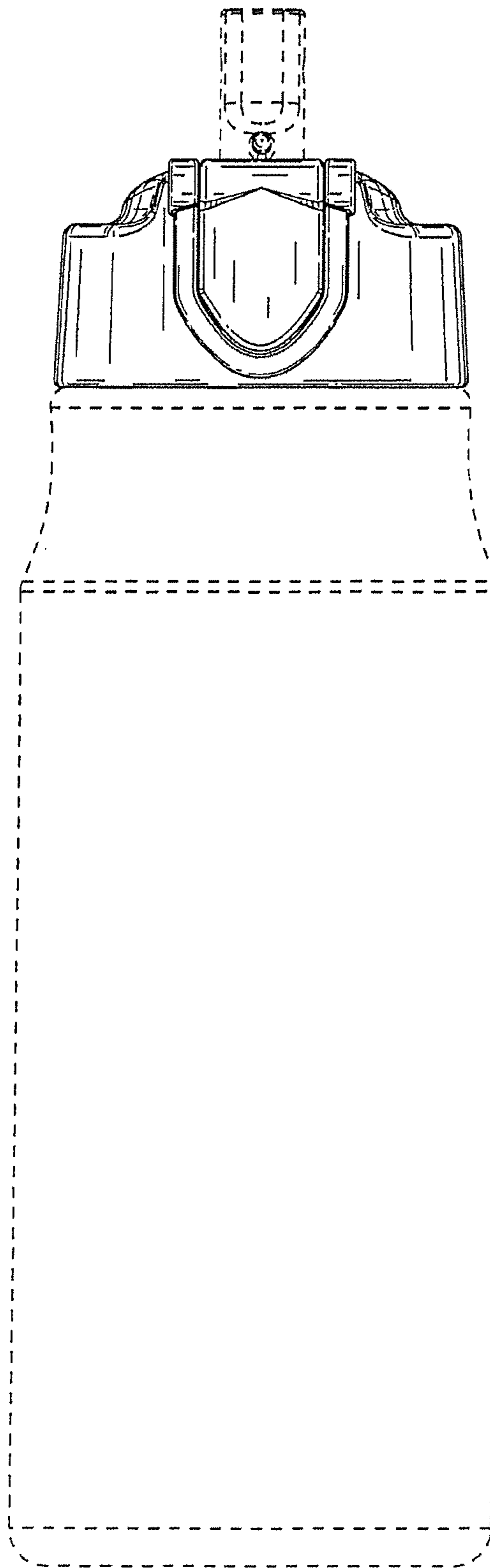


Figure 5

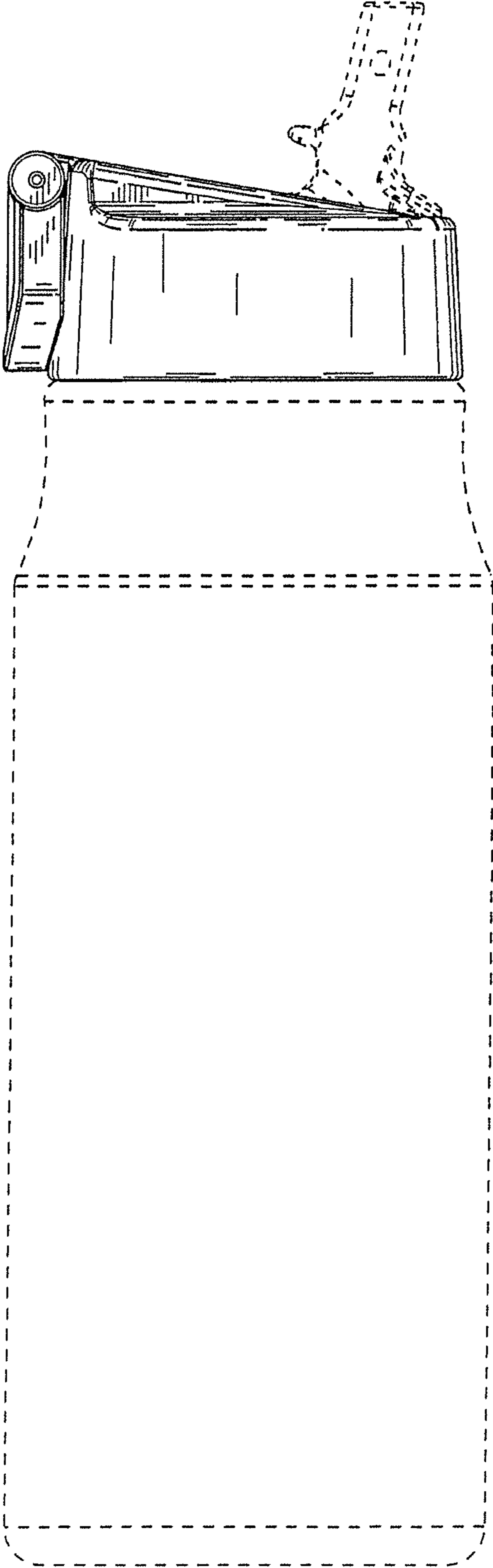


Figure 6

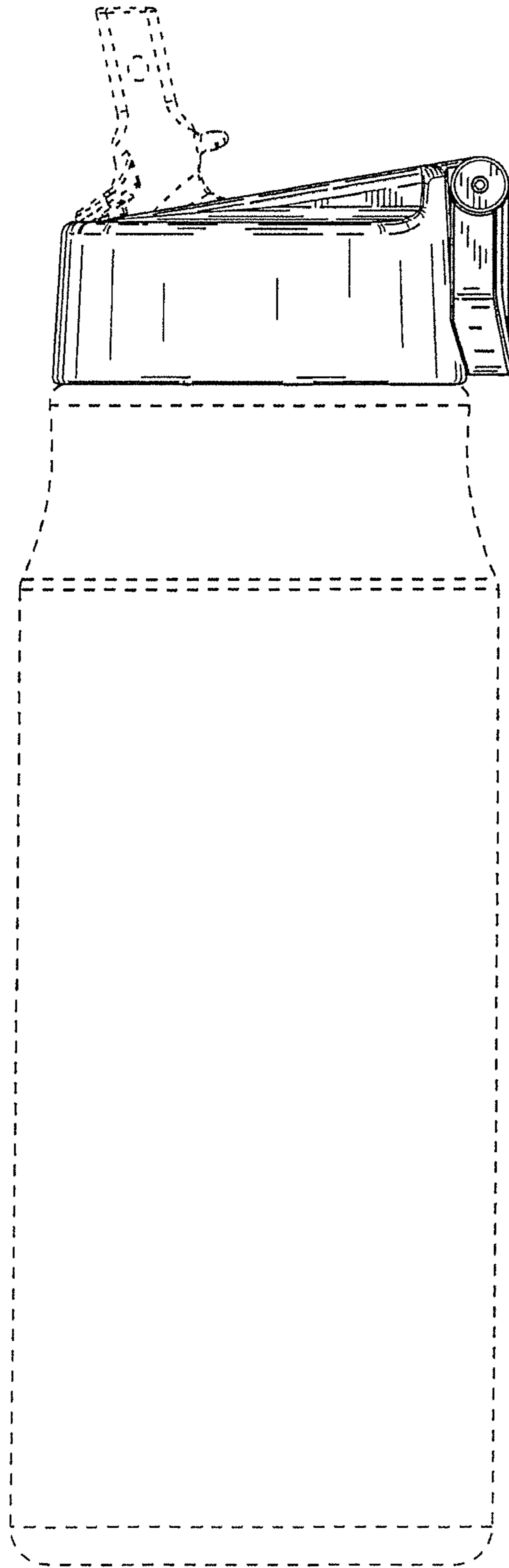


Figure 7