



US00D686447S

(12) **United States Design Patent**
Endres et al.

(10) **Patent No.:** **US D686,447 S**
(45) **Date of Patent:** **** Jul. 23, 2013**

(54) **MULTIPLE CROCK BUFFET SERVER**

(71) Applicant: **Select Brands, Inc.**, Lenexa, KS (US)

(72) Inventors: **W. Eric Endres**, Olathe, KS (US); **Mark T. Krasne**, Kansas City, MO (US); **William S. Endres**, Leawood, KS (US)

(73) Assignee: **Select Brands, Inc.**, Lenexa, KS (US)

(**) Term: **14 Years**

(21) Appl. No.: **29/439,793**

(22) Filed: **Dec. 14, 2012**

Related U.S. Application Data

(63) Continuation of application No. 29/429,230, filed on Aug. 8, 2012, now Pat. No. Des. 675,864, which is a continuation of application No. 29/383,204, filed on Jan. 13, 2011, now Pat. No. Des. 669,731.

(51) **LOC (9) Cl.** **07-02**

(52) **U.S. Cl.**
USPC **D7/364**

(58) **Field of Classification Search**
USPC D7/35-367, 391, 393, 395, 402, D7/406, 538, 542; 99/324-325, 330-332, 99/337-340, 357, 369, 400-418, 422, 425, 99/444, 448, 483; 126/37 R, 41 R, 261, 378.1; 206/501-505, 507-508; 219/400, 405, 429-442, 219/620-624, 725, 730-735; 220/315, 573.1-573.5, 912; 426/438, 441
See application file for complete search history.

(56) **References Cited**

U.S. PATENT DOCUMENTS

D181,298 S * 10/1957 Lax D7/355
D205,820 S * 9/1966 Ryan D7/364

D250,566 S * 12/1978 McNair et al. D7/352
D416,434 S * 11/1999 Pollnow D7/360
D436,797 S * 1/2001 Huang et al. D7/363
D444,664 S * 7/2001 Dobson et al. D7/354

(Continued)

Primary Examiner — Ricky Pham

(74) *Attorney, Agent, or Firm* — Hovey Williams LLP

(57) **CLAIM**

The ornamental design for a multiple crock buffet server, as shown and described.

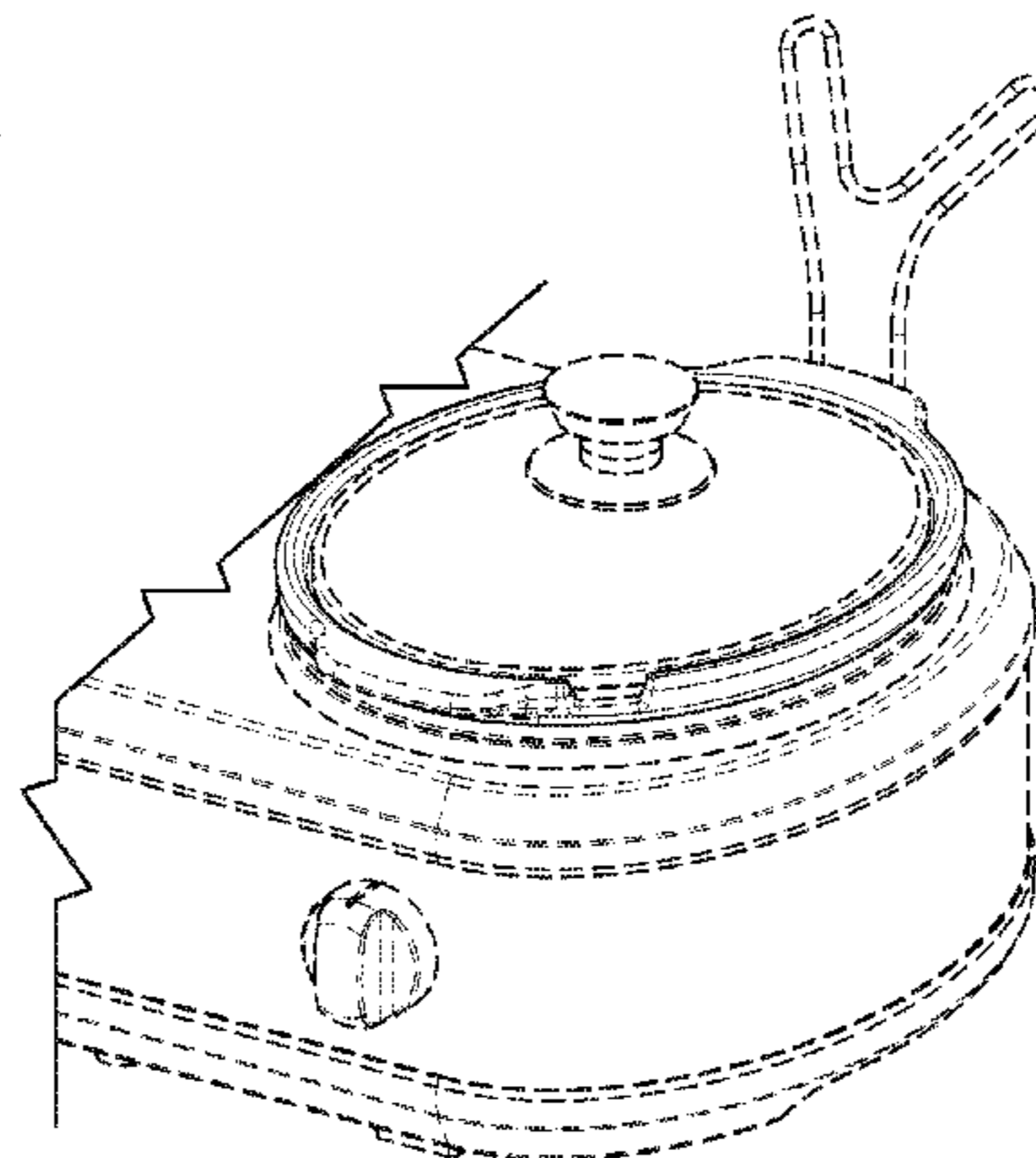
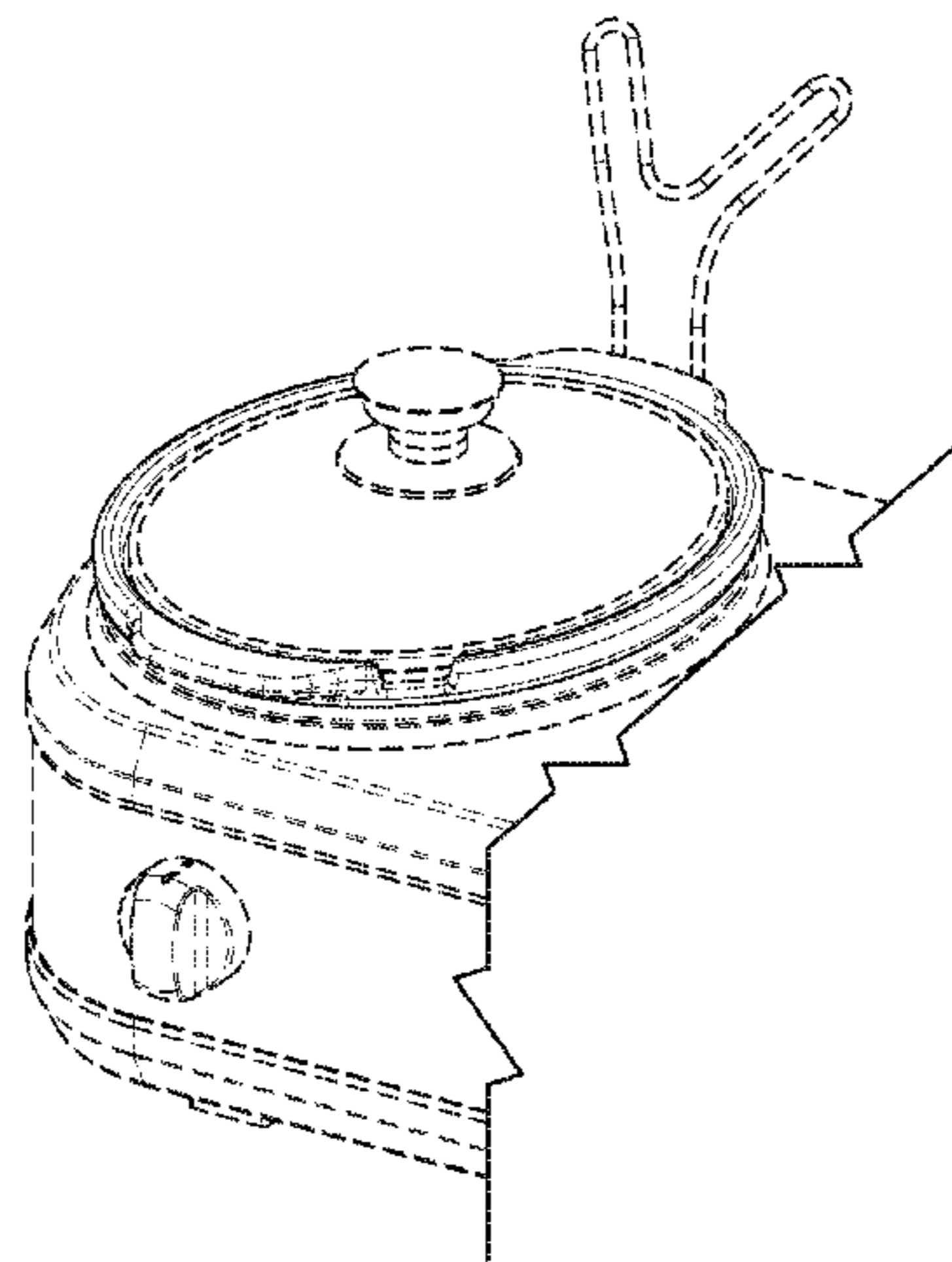
DESCRIPTION

FIG. 1 is a front perspective of a multiple crock buffet server embodying our design, with the buffet server being depicted as intermediately fragmented along its length so that the claimed design covers a buffet server with at least two oval server bowls variably spaced from one another, with the heated server base unit housing, server control knobs, server lid holders, oval lids received by the bowls, oval liners that receive the bowls, and outer handle surfaces and a radial groove of each bowl being shown in broken lines for illustrative purposes only and forming no part of the claimed design; FIG. 2 is a rear perspective of the multiple crock buffet server shown in FIG. 1;

FIG. 3 is a top view of the multiple crock buffet server shown in FIGS. 1 and 2, with the lid holders being removed; FIG. 4 is a front elevation of the multiple crock buffet server shown in FIGS. 1-3, with the lid holders being removed; FIG. 5 is a right side elevation of the multiple crock buffet server shown in FIGS. 1-4, with the lid holders being removed;

FIG. 6 is a rear elevation of the multiple crock buffet server shown in FIGS. 1-5, with the lid holders being removed; and, FIG. 7 is a left side elevation of the multiple crock buffet server shown in FIGS. 1-6, with the lid holders being removed.

1 Claim, 7 Drawing Sheets



US D686,447 S

Page 2

U.S. PATENT DOCUMENTS

D491,012 S *	6/2004	Rogers	D7/364	D644,490 S *	9/2011	Shah	D7/542
D575,578 S *	8/2008	Ball	D7/360	D657,993 S *	4/2012	Pantaleo	D7/357
D590,654 S *	4/2009	Perkins et al.	D7/354	D667,679 S *	9/2012	Carlson	D7/354
D606,803 S *	12/2009	Picozza et al.	D7/354	D669,731 S *	10/2012	Endres et al.	D7/364
D606,804 S *	12/2009	Picozza et al.	D7/354	D674,650 S *	1/2013	Day et al.	D7/354
7,820,947 B2 *	10/2010	Gaynor et al.	219/442	2004/0079747 A1 *	4/2004	Wang	219/438
D628,849 S *	12/2010	Tetreault et al.	D7/357	2005/0145615 A1 *	7/2005	Schaffeld et al.	219/440
D632,130 S *	2/2011	Tetreault et al.	D7/357	2008/0083730 A1 *	4/2008	Dolgov et al.	219/432
D640,086 S *	6/2011	Day et al.	D7/357	2009/0095169 A1 *	4/2009	York	99/448
D641,202 S *	7/2011	Bock et al.	D7/357	2012/0216684 A1 *	8/2012	Gregory et al.	99/357

* cited by examiner

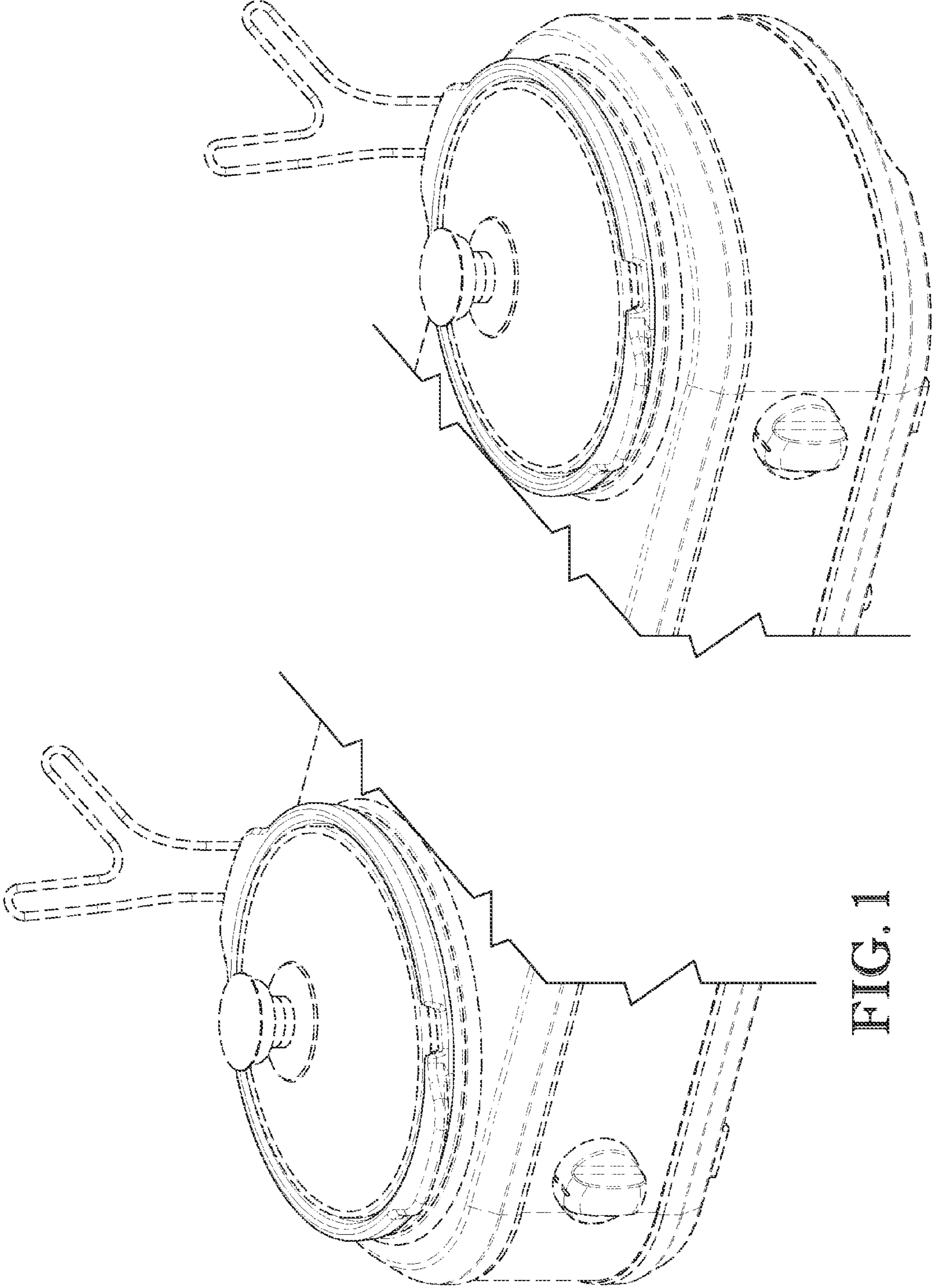


FIG. 1

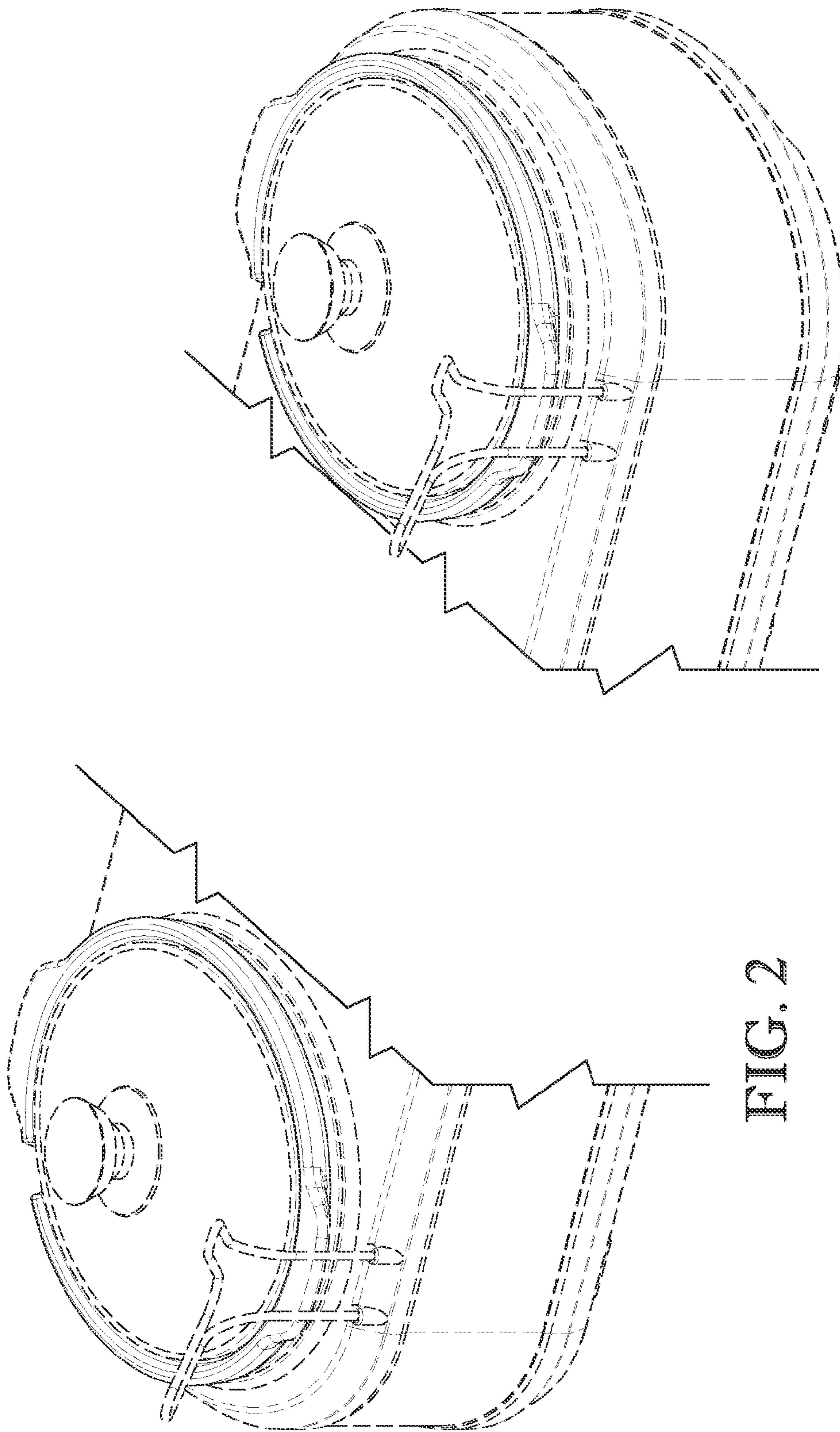


FIG. 2

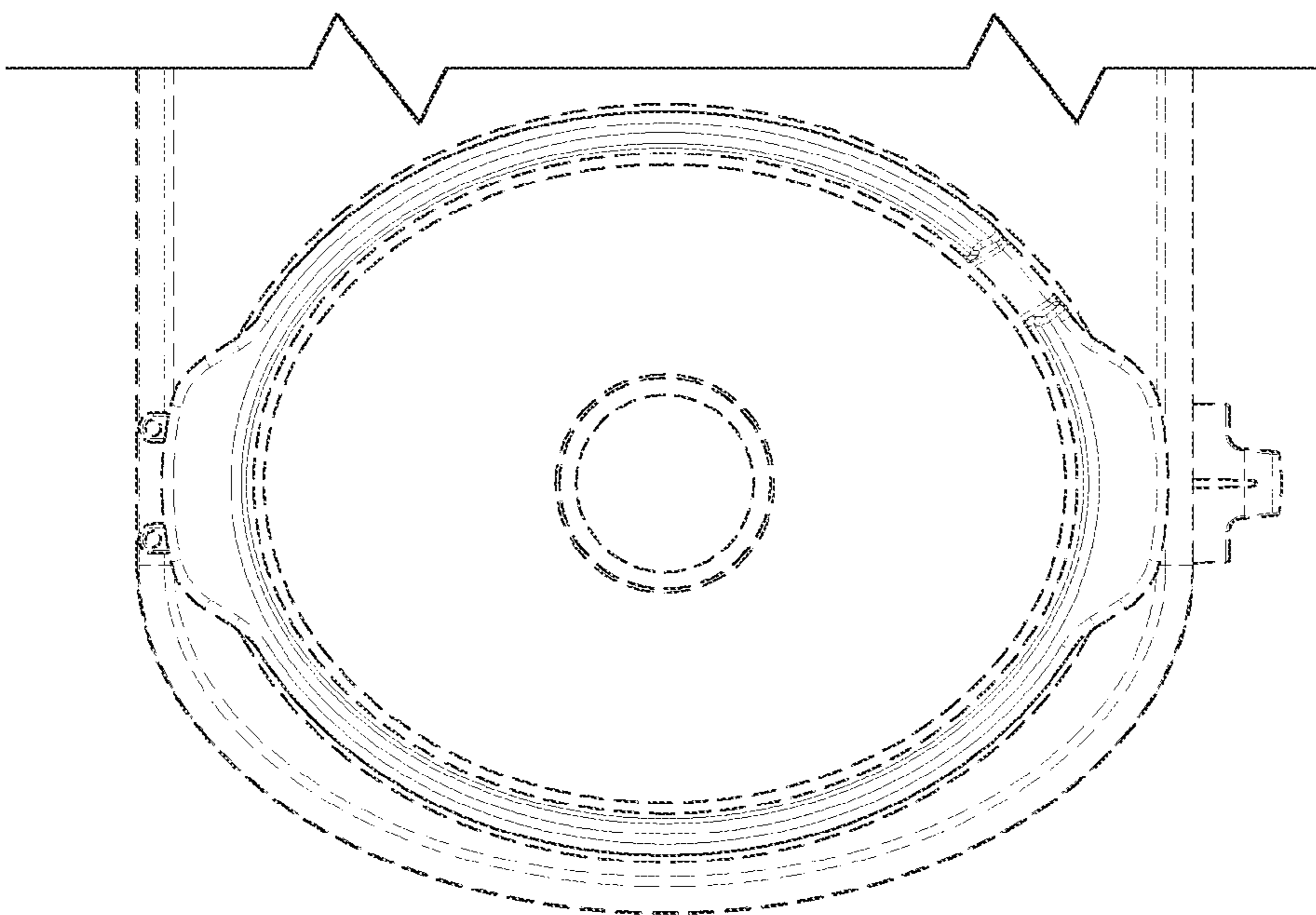
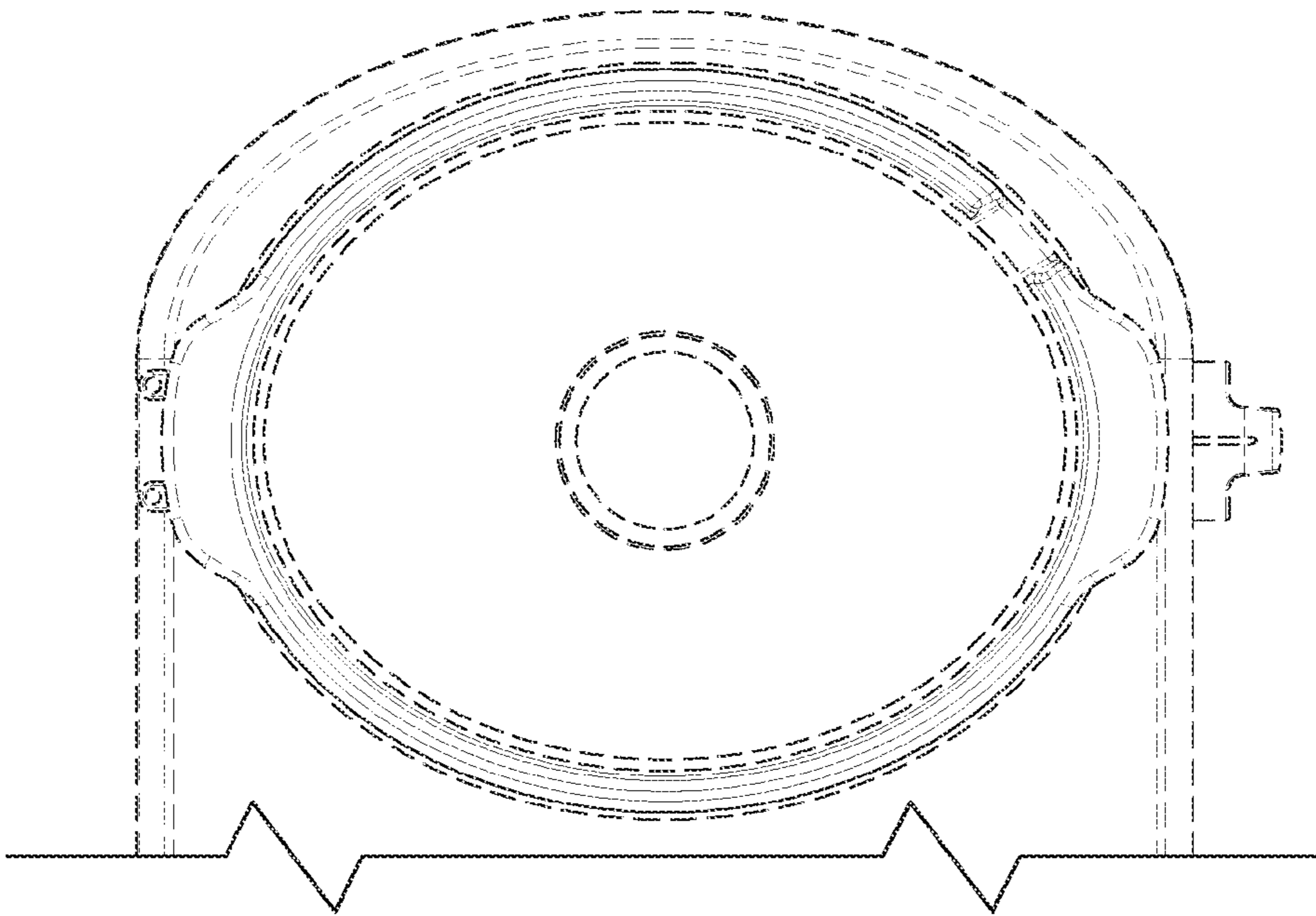


FIG. 3

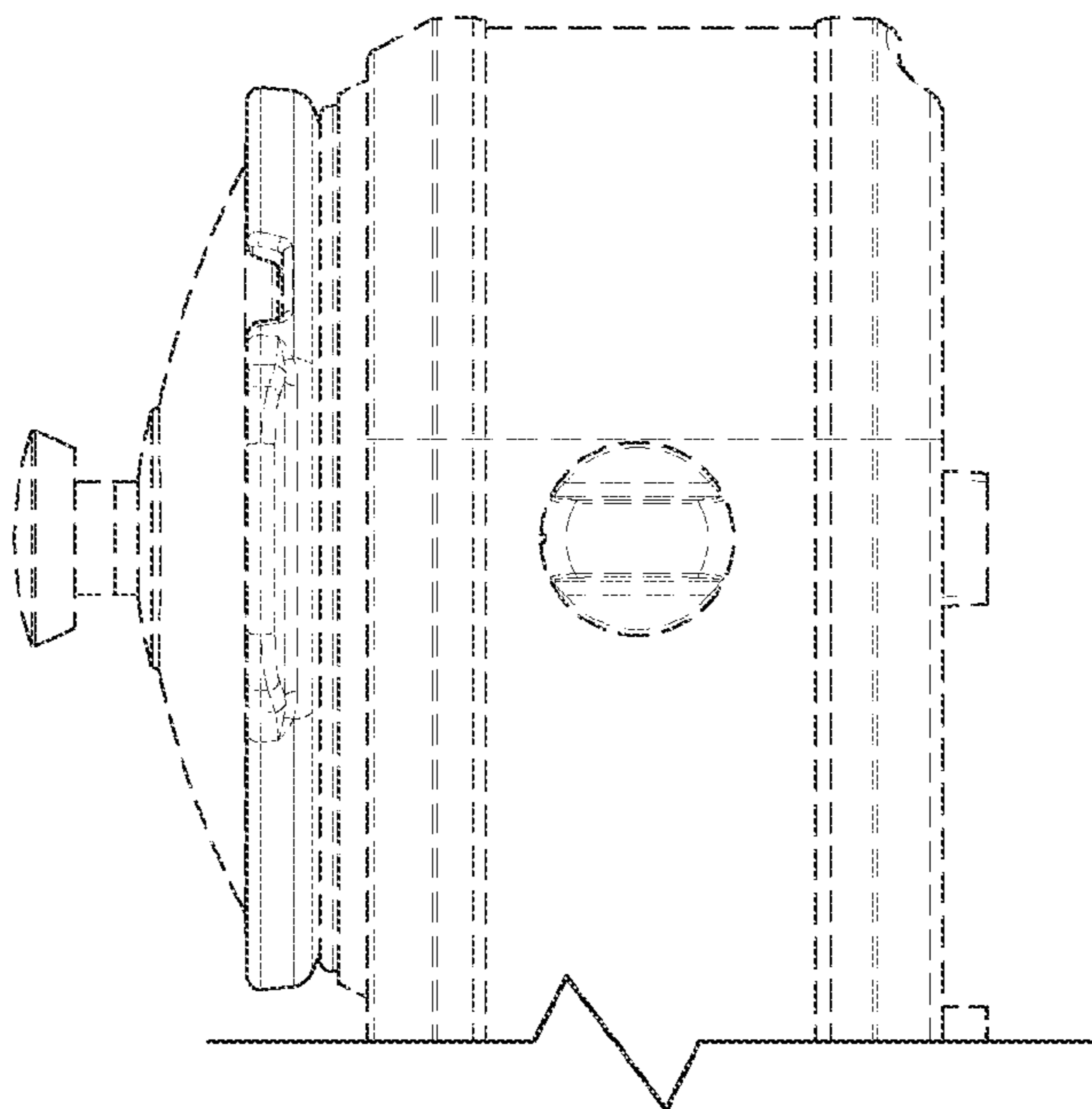
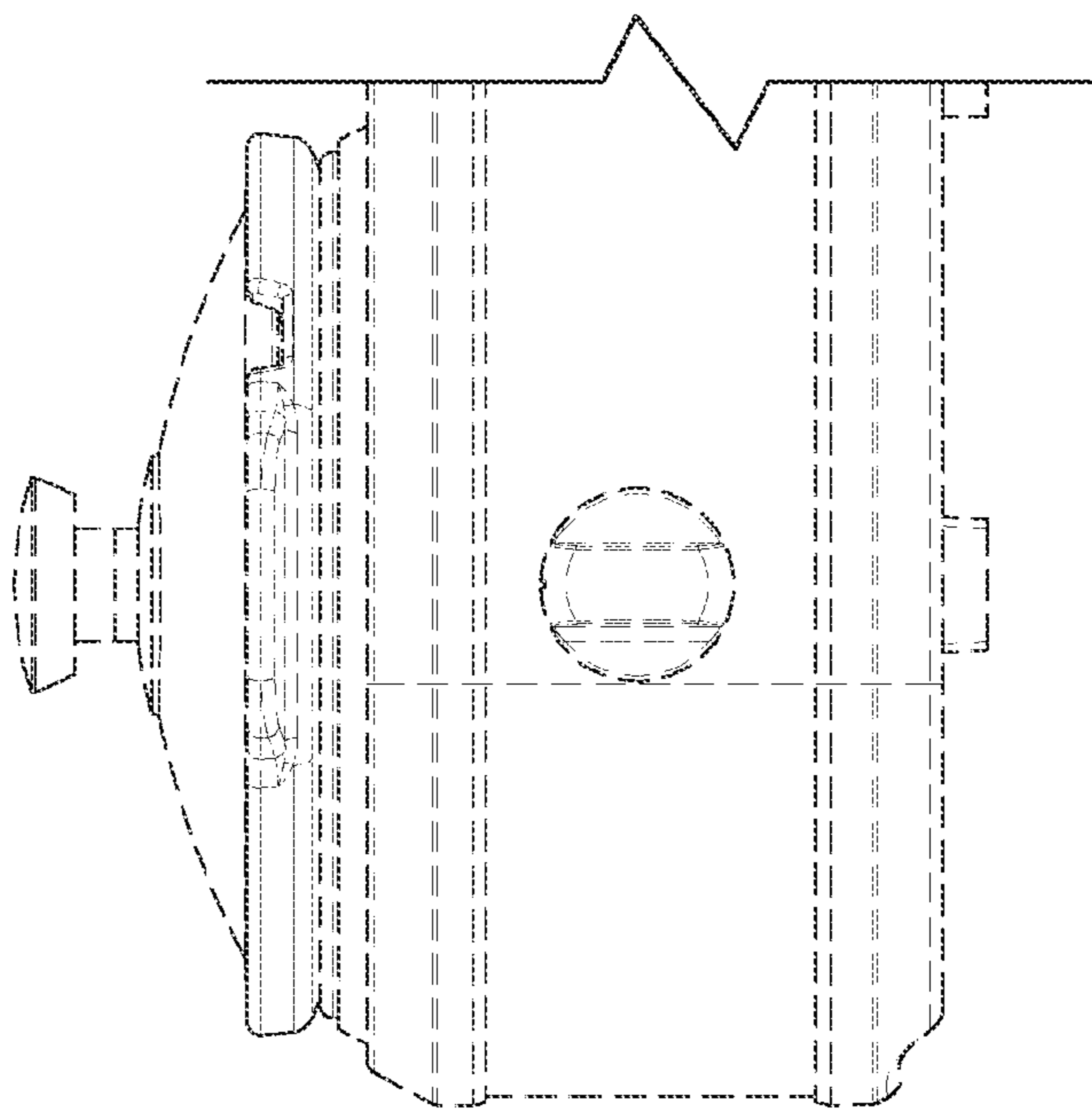


FIG. 4



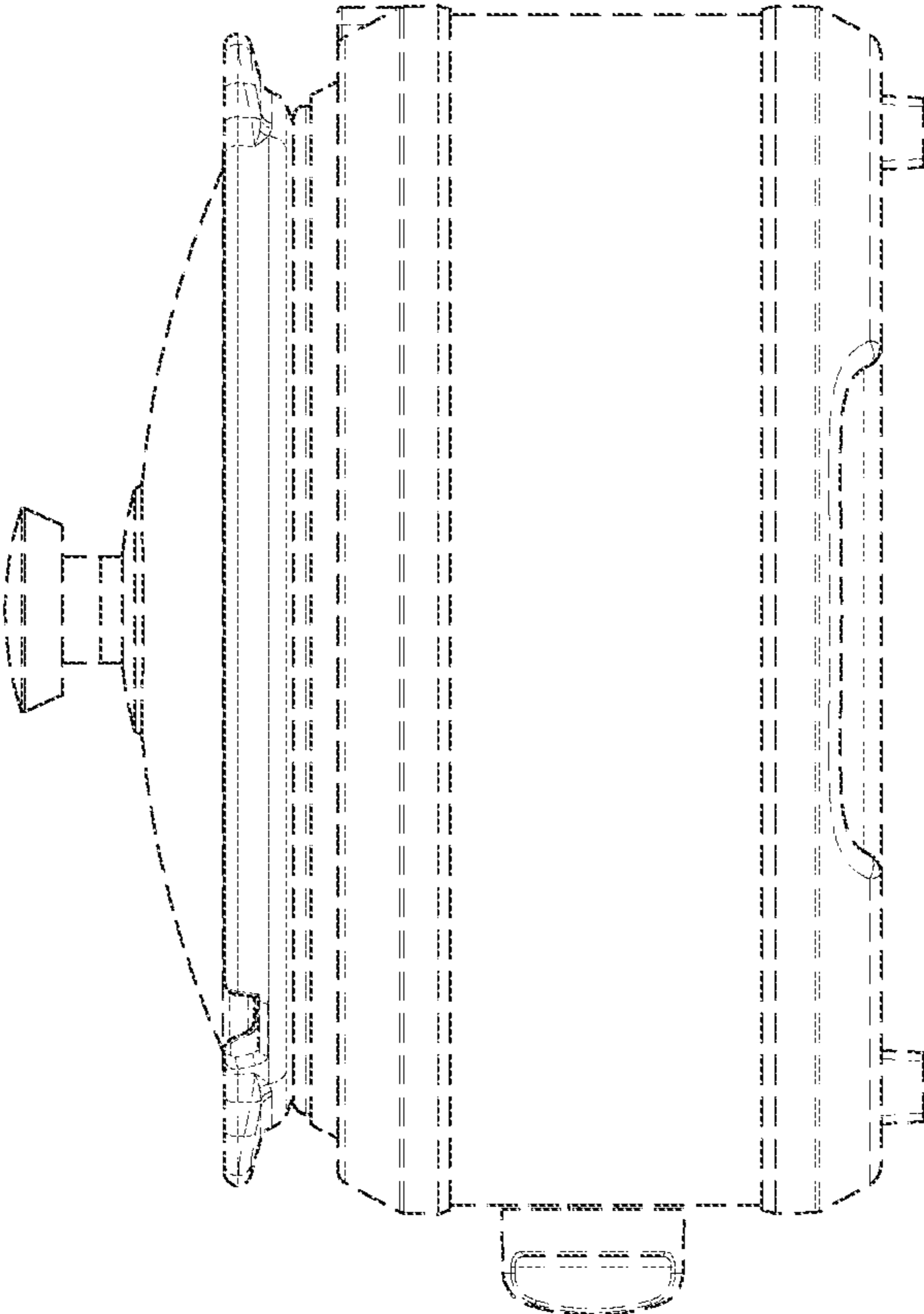


FIG. 5

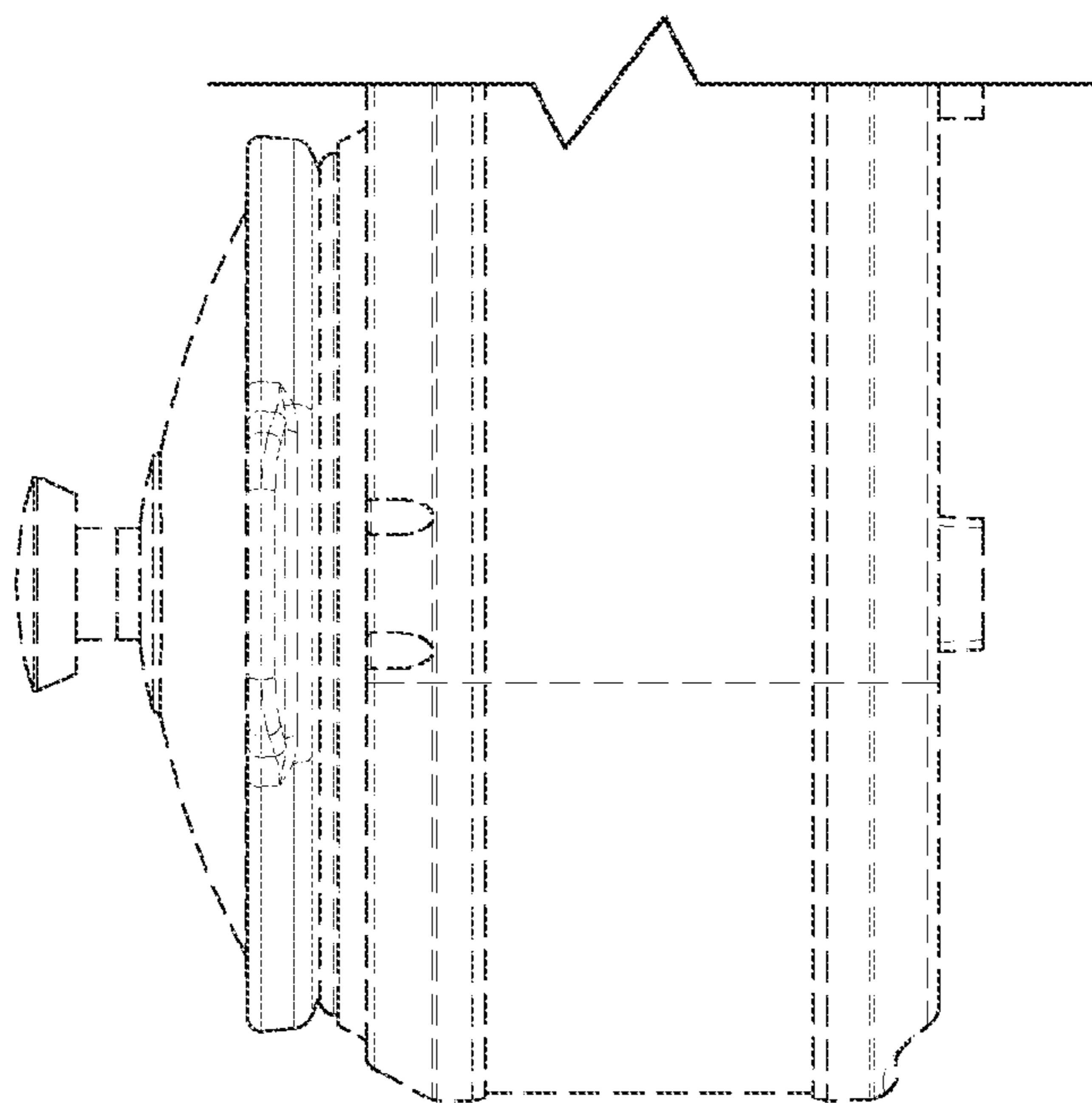
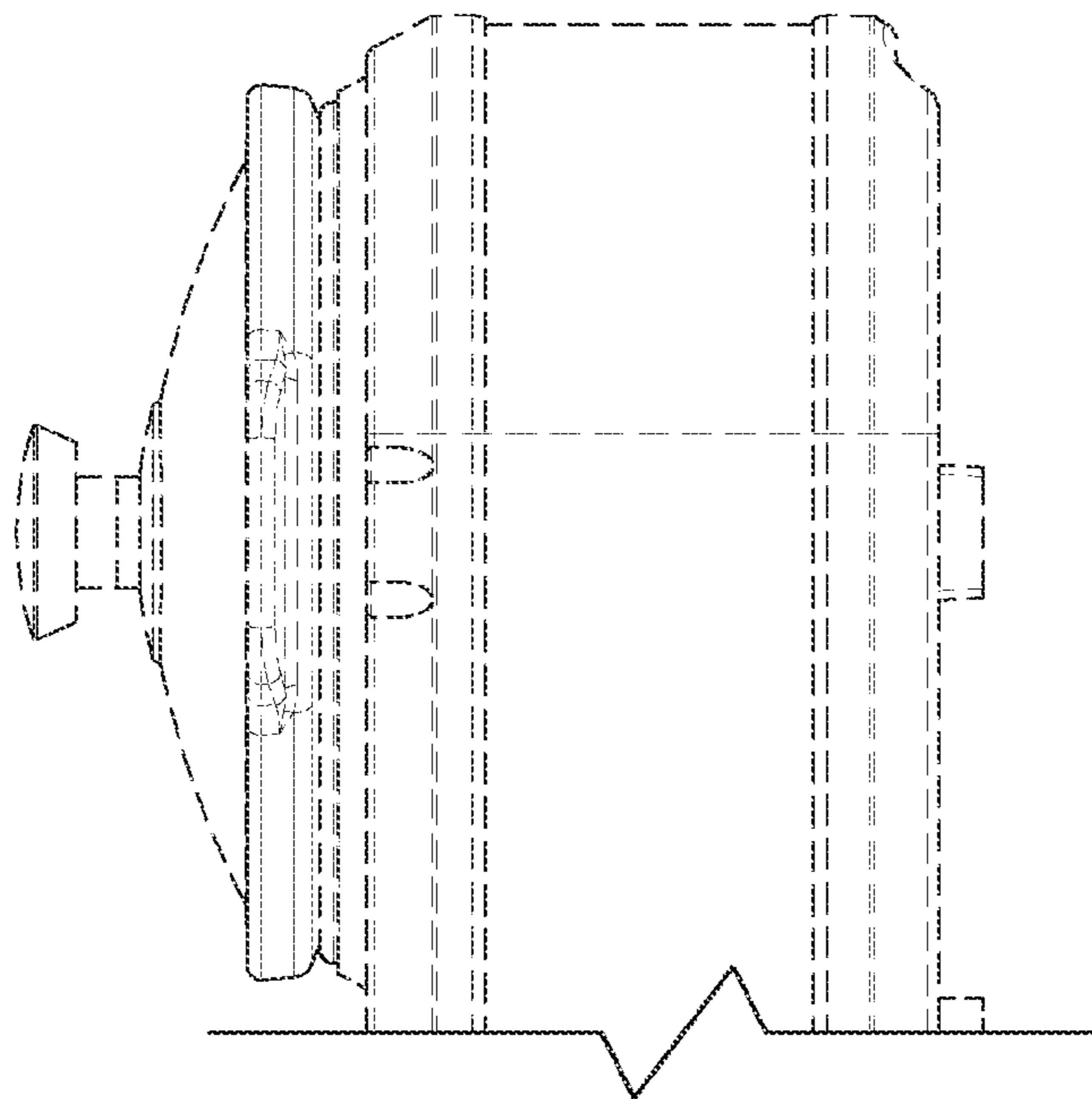


FIG. 6

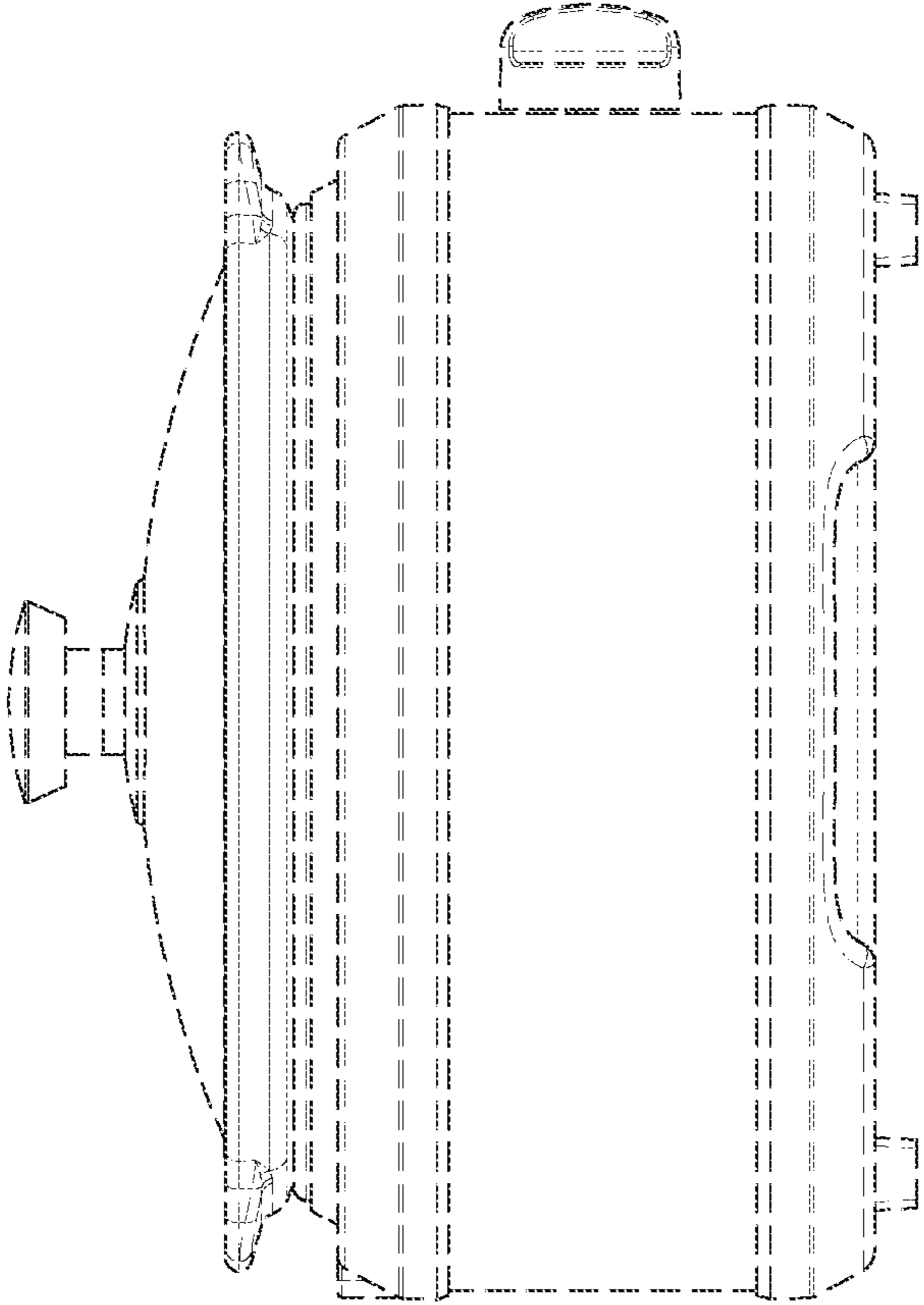


FIG. 7

(12) **INTER PARTES REVIEW CERTIFICATE** (90th)

United States Patent
Endres et al.

(10) **Number:** **US D686,447 K1**
(45) **Certificate Issued:** **Jul. 6, 2015**

(54) **MULTIPLE CROCK BUFFET SERVER**

(71) **Applicants:** **W. Eric Endres; Mark T. Krasne;**
William S. Endres

(72) **Inventors:** **W. Eric Endres; Mark T. Krasne;**
William S. Endres

(73) **Assignee:** **SELECT BRANDS, INC.**

Trial Number:

IPR2013-00580 filed Sep. 19, 2013

Petitioner: Sensio, Inc.

Patent Owner: Select Brands, Inc.

Inter Partes Review Certificate for:

Patent No.: **D686,447**

Issued: **Jul. 23, 2013**

Appl. No.: **29/439,793**

Filed: **Dec. 14, 2012**

The results of IPR2013-00580 are reflected in this inter partes review certificate under 35 U.S.C. 318(b).

INTER PARTES REVIEW CERTIFICATE
U.S. Patent D686,447 K1
Trial No. IPR2013-00580
Certificate Issued Jul. 6, 2015

1

2

AS A RESULT OF THE INTER PARTES REVIEW
PROCEEDING, IT HAS BEEN DETERMINED
THAT:

The claim is cancelled.

5

* * * * *