



US00D686445S

(12) **United States Design Patent**
Serrano

(10) **Patent No.:** **US D686,445 S**

(45) **Date of Patent:** **** Jul. 23, 2013**

(54) **BARBECUE**

(76) **Inventor:** **Robert Arnold Serrano, Irvine, CA**
(US)

(**) **Term:** **14 Years**

(21) **Appl. No.:** **29/418,720**

(22) **Filed:** **Apr. 19, 2012**

(51) **LOC (9) Cl.** **07-02**

(52) **U.S. Cl.**
USPC **D7/337**

(58) **Field of Classification Search**
USPC D7/332, 334-337, 402, 406-407,
D7/409, 354, 350.1, 350.4; 126/25 R, 25 A,
126/26-27, 29-30, 9 R, 9 A, 9 B, 77, 38,
126/40, 50, 41 R, 152 R, 519, 500; 99/481-482,
99/467; 426/314; 219/391, 400; D23/403,
D23/406; D6/331-332; 248/188.6; D30/108,
D30/114, 116-117

See application file for complete search history.

(56) **References Cited**

U.S. PATENT DOCUMENTS

D270,606 S *	9/1983	McCrary et al.	D7/334
D312,746 S *	12/1990	Lutter	D7/337
D324,153 S *	2/1992	Wood	D7/402
D325,319 S *	4/1992	Zilber et al.	D7/337
D326,583 S *	6/1992	Lutter et al.	D7/332

D358,527 S *	5/1995	Danielson et al.	D7/332
D397,580 S *	9/1998	Dunn et al.	D7/402
D467,119 S *	12/2002	McGargill	D7/332
D481,255 S *	10/2003	Mak	D7/332
D516,365 S *	3/2006	Baris et al.	D7/332
D537,669 S *	3/2007	Loving	D7/332
D573,398 S *	7/2008	Puerto	D7/335
D592,004 S *	5/2009	Loving	D7/337
D592,006 S *	5/2009	Griffard	D7/337
D631,279 S *	1/2011	Davis	D7/332
2012/0285438 A1 *	11/2012	Serrano	126/25 R

* cited by examiner

Primary Examiner — Ruth McInroy

(74) *Attorney, Agent, or Firm* — Kenneth L. Green

(57) **CLAIM**

I claim the ornamental design for a barbecue, as shown and described.

DESCRIPTION

FIG. 1 is a top and left side perspective view of a barbecue showing my new design, the table and frame which is shown in broken lines forms no part of the claimed design;

FIG. 2 is a perspective view thereof;

FIG. 3 is a left side elevation view thereof;

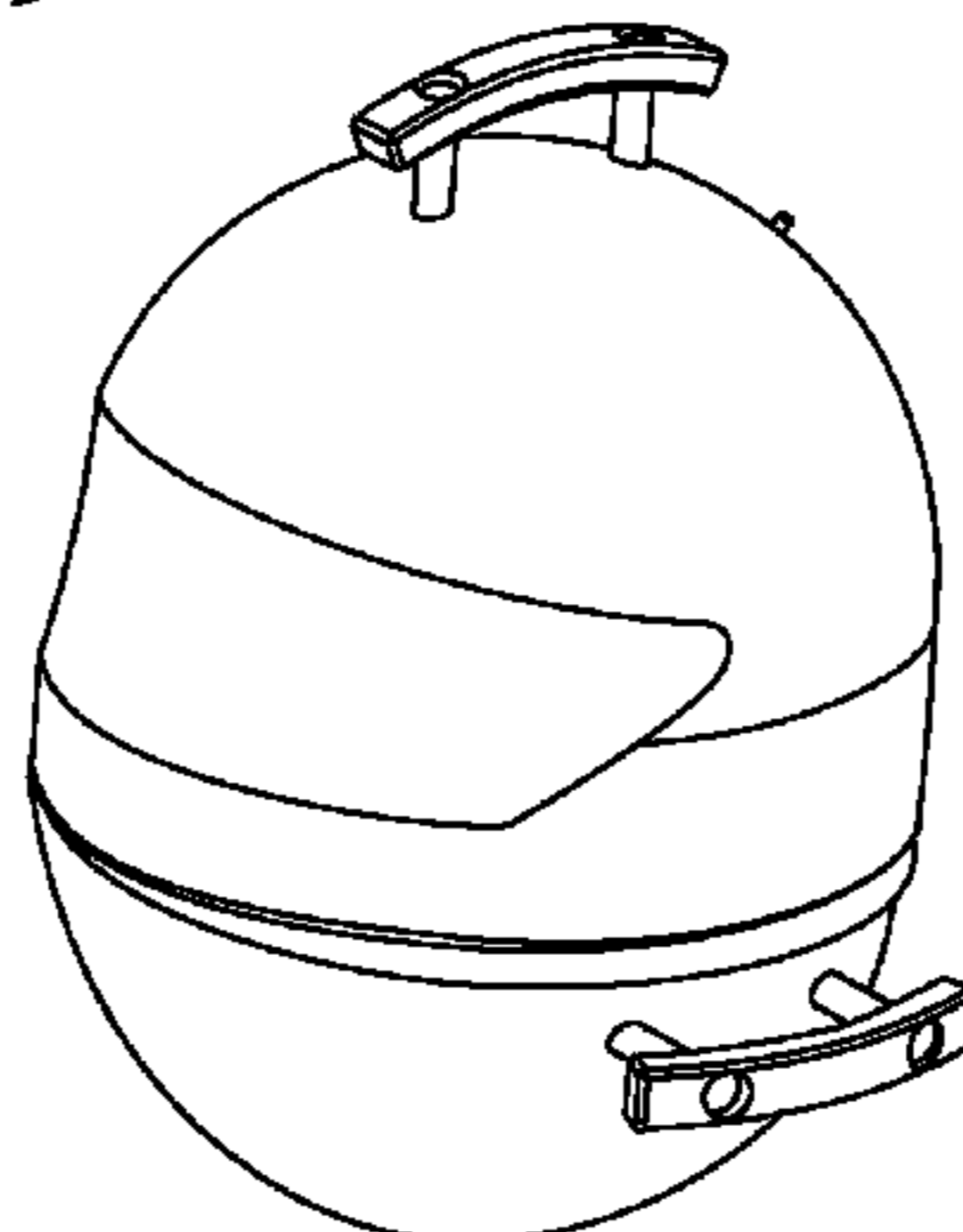
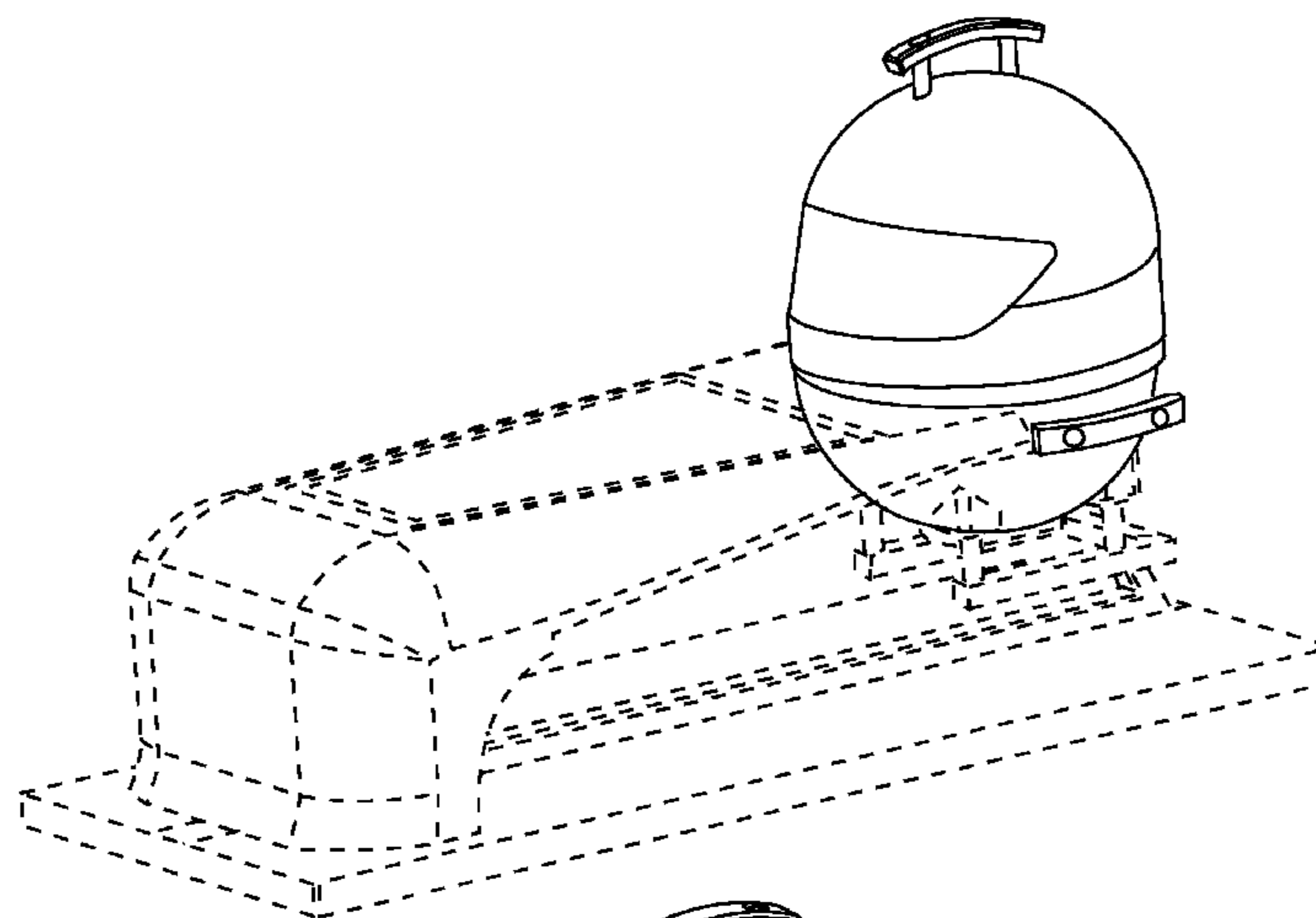
FIG. 4 is a right side elevation view thereof;

FIG. 5 is a rear elevation view thereof;

FIG. 6 is a top plan view thereof; and,

FIG. 7 is a bottom plan view thereof.

1 Claim, 2 Drawing Sheets



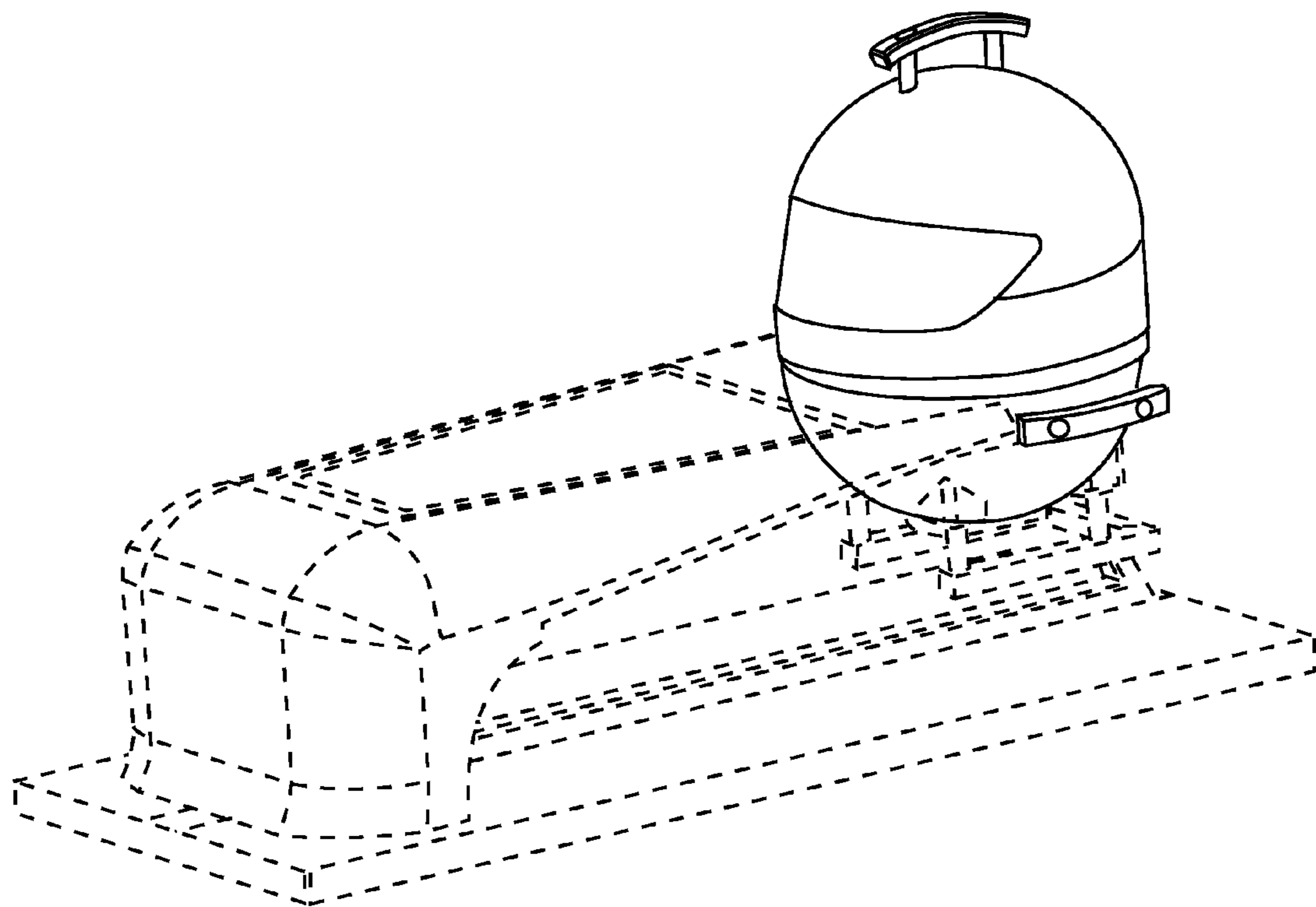


FIG. 1

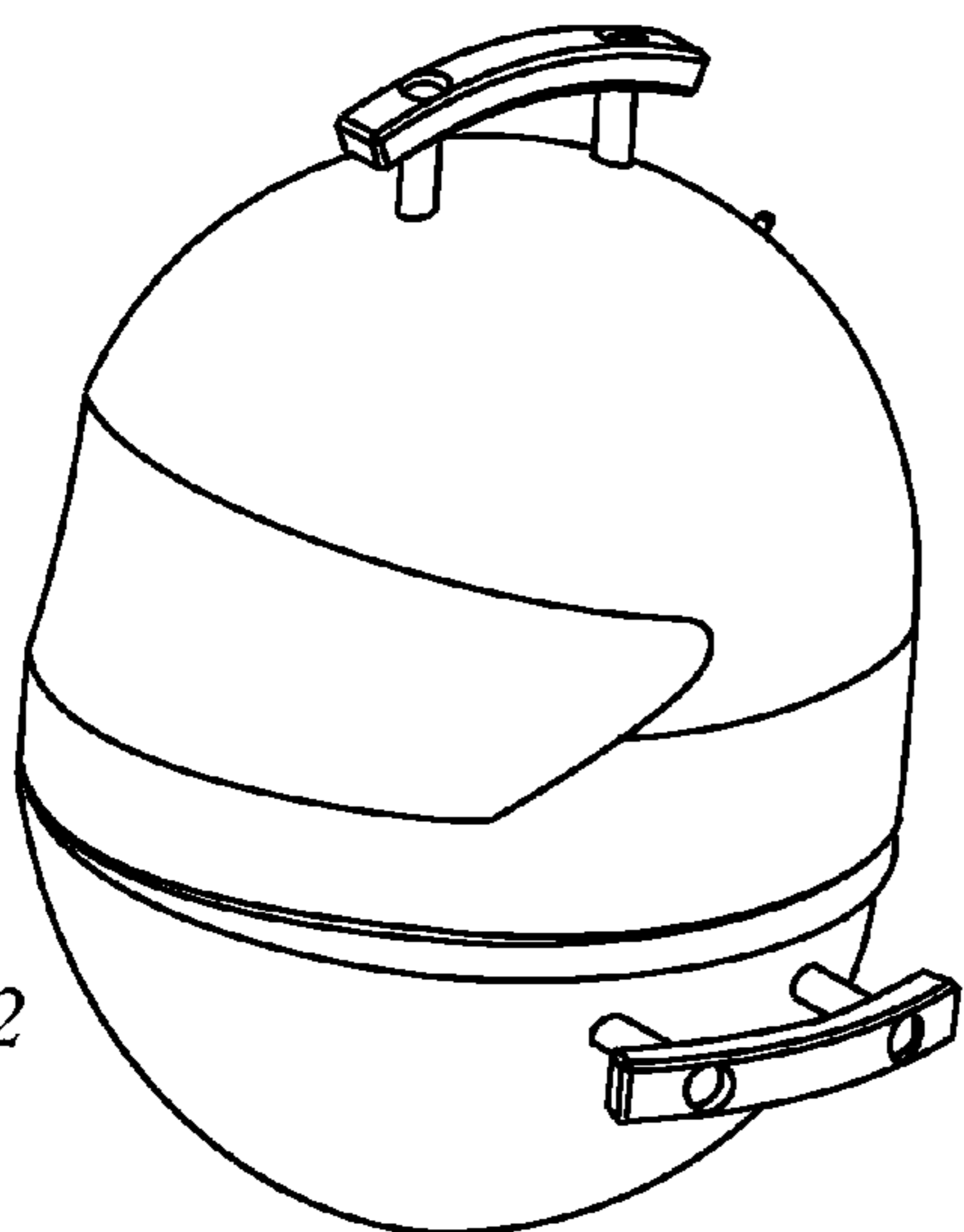


FIG. 2

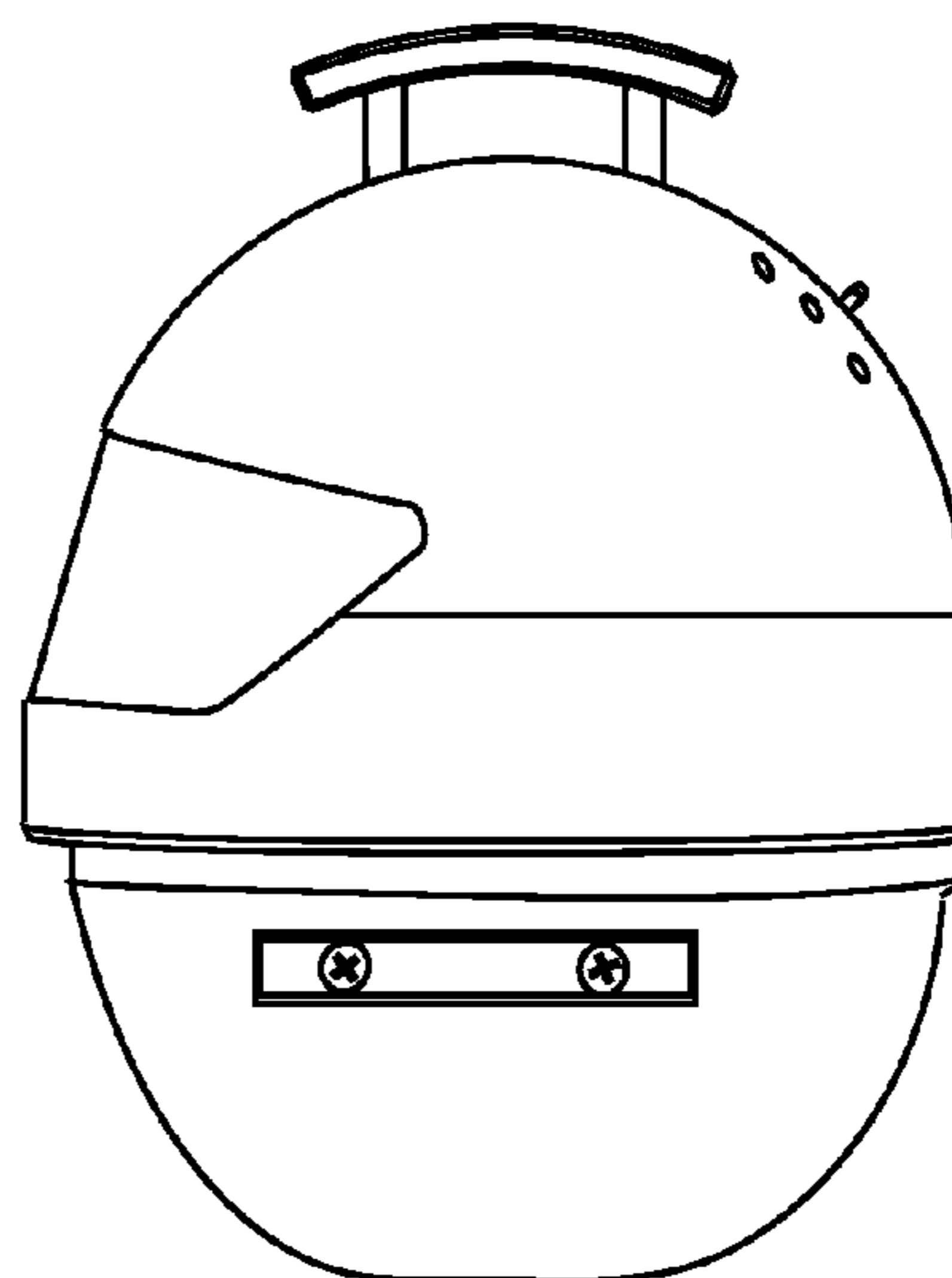


FIG. 3

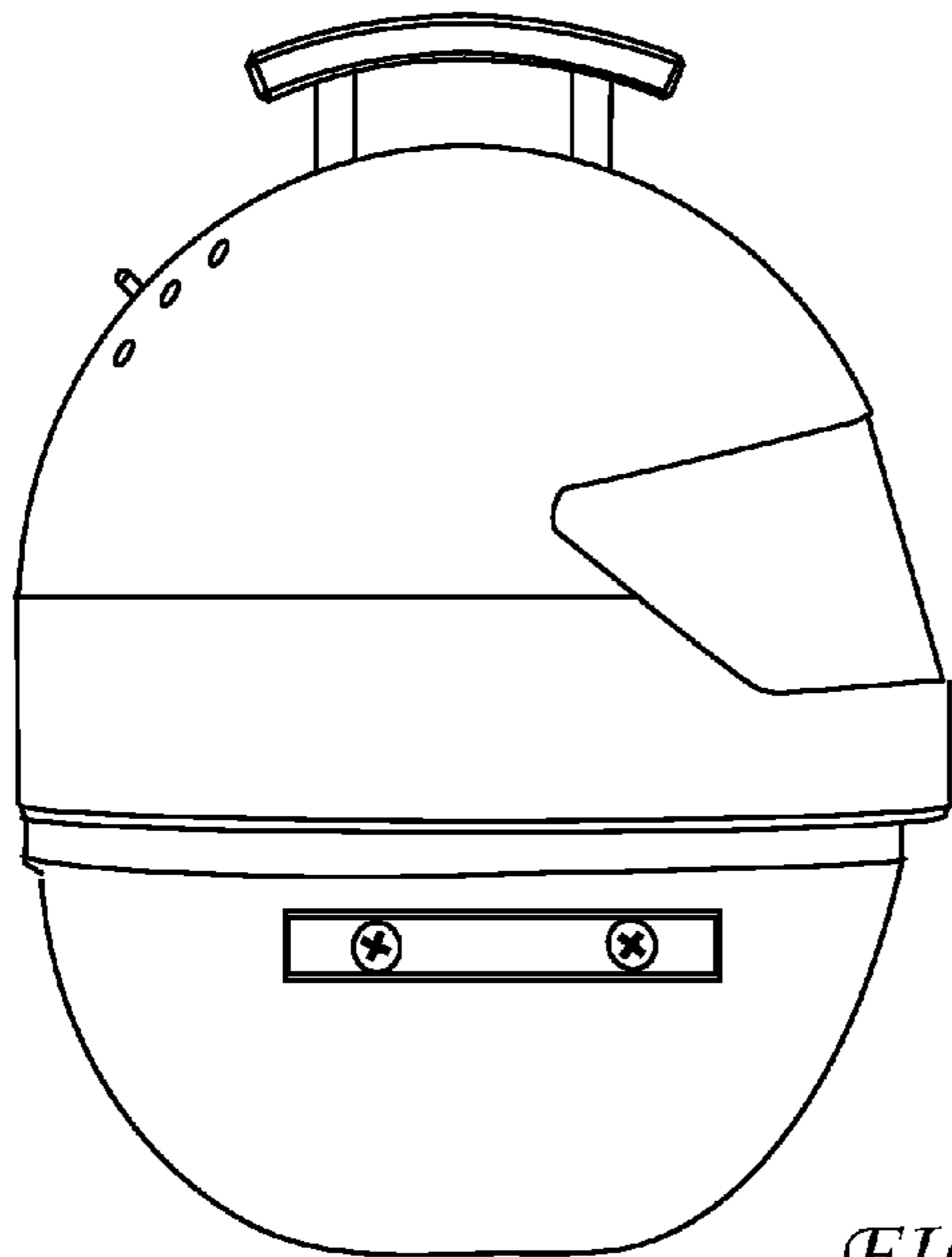


FIG. 4

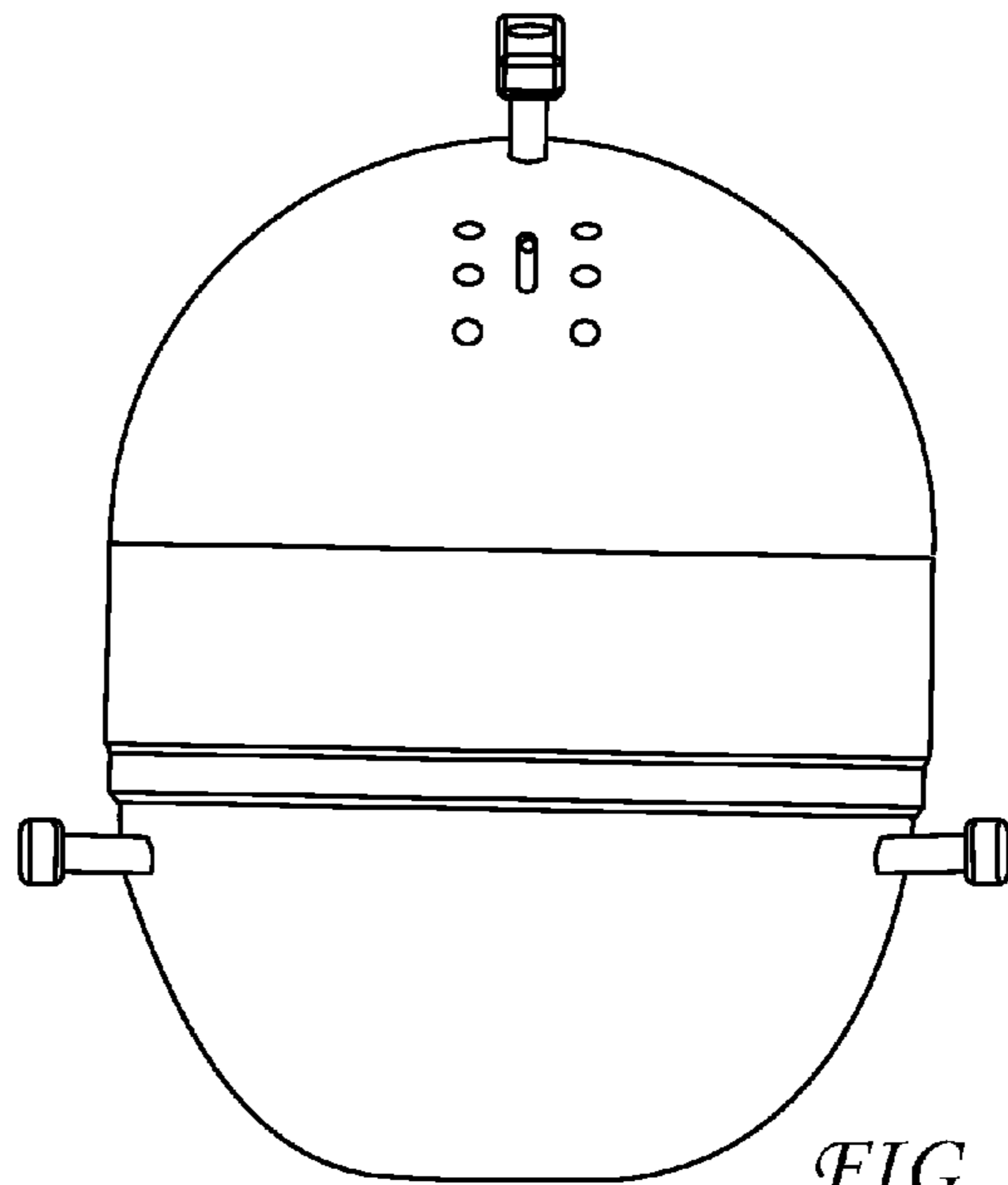


FIG. 5

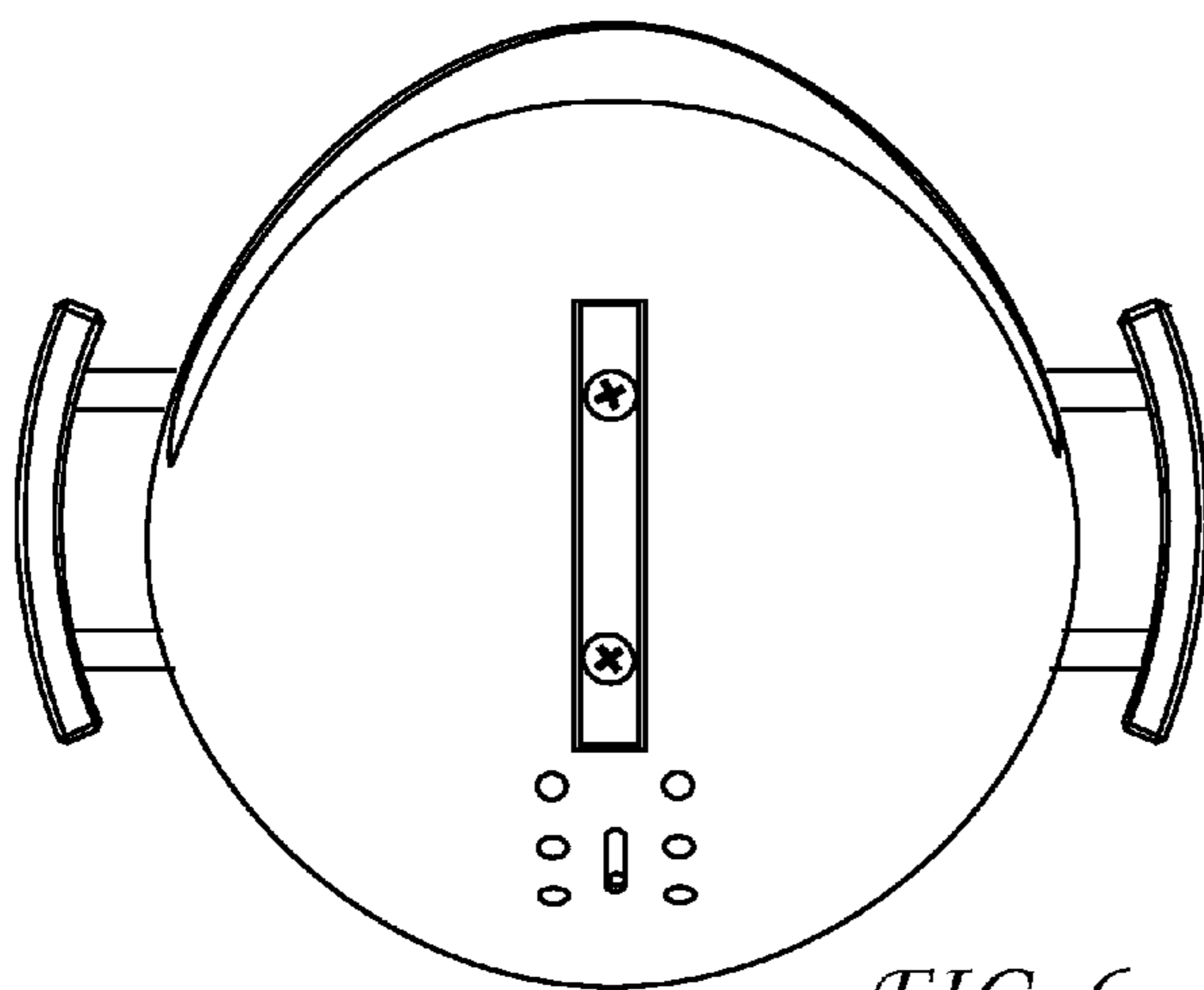


FIG. 6

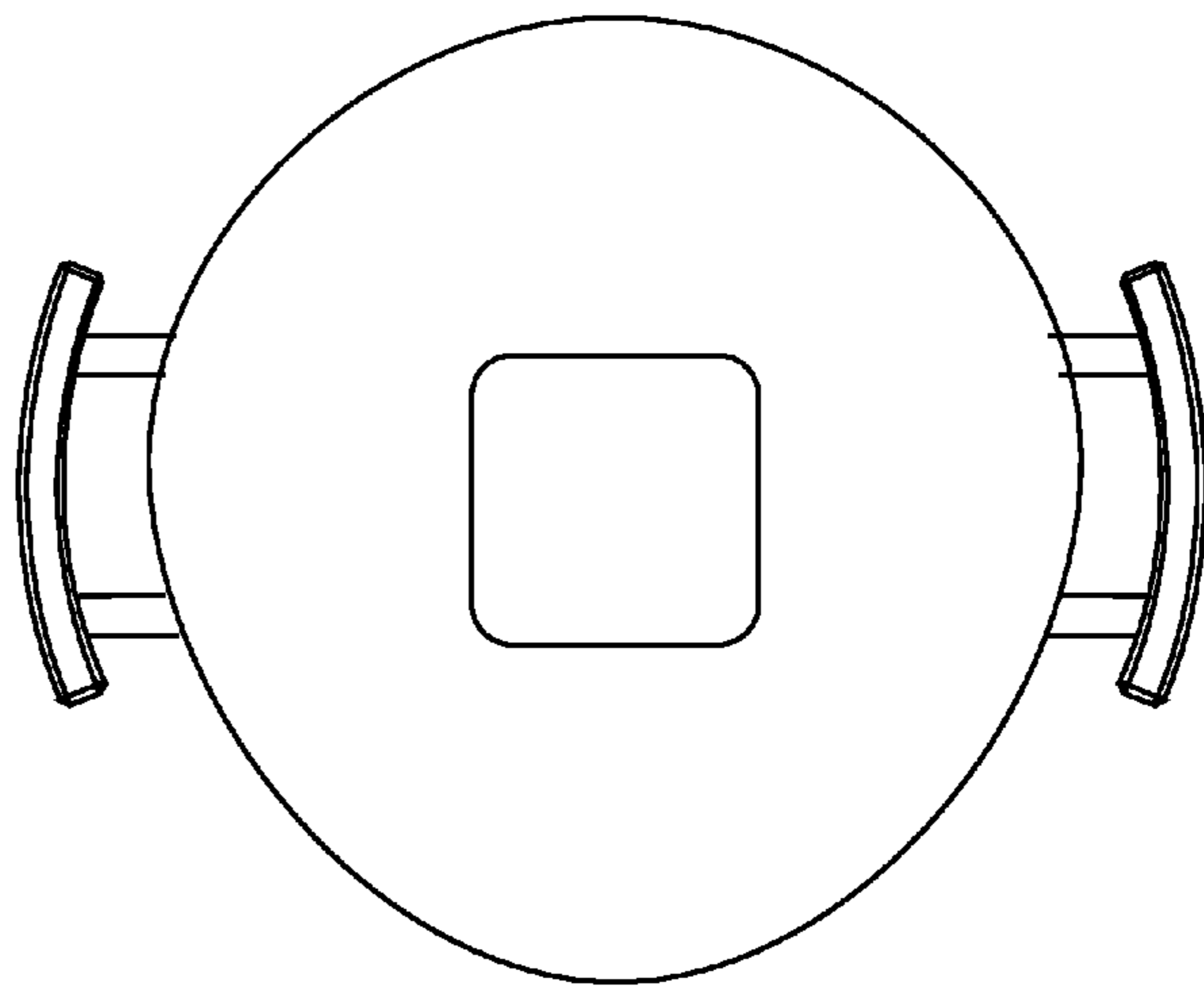


FIG. 7