



US00D686444S

(12) **United States Design Patent**
Lorenz et al.

(10) **Patent No.:** **US D686,444 S**

(45) **Date of Patent:** **** *Jul. 23, 2013**

(54) **DUAL BURNER**

(56) **References Cited**

(75) Inventors: **Nathan Lorenz**, Fort Collins, CO (US);
Jesse Walker, Fort Collins, CO (US);
Eric Listenberger, Moorestown, NJ
(US); **Clark Mozer**, Fort Collins, CO
(US)

(73) Assignee: **EnviroFit International, Ltd.**, Fort
Collins, CO (US)

(*) Notice: This patent is subject to a terminal dis-
claimer.

(**) Term: **14 Years**

(21) Appl. No.: **29/396,312**

(22) Filed: **Jun. 28, 2011**

U.S. PATENT DOCUMENTS

D235,959	S	*	7/1975	Allander	D7/337
4,512,328	A	*	4/1985	Arad	126/37 B
5,197,454	A	*	3/1993	Lee	126/9 R
D371,716	S	*	7/1996	Jo	D7/337
5,881,709	A	*	3/1999	Daoust	126/44
D424,364	S	*	5/2000	Persson	D7/337
D444,991	S	*	7/2001	Measom	D7/337
D445,296	S	*	7/2001	Kenyon et al.	D7/332
D447,664	S	*	9/2001	Stephens et al.	D7/337
D512,264	S	*	12/2005	May et al.	D7/337
D612,662	S	*	3/2010	Lorenz et al.	D7/337
D640,497	S	*	6/2011	Lorenz et al.	D7/337
2010/0258104	A1	*	10/2010	DeFoort et al.	126/15 R

* cited by examiner

Primary Examiner — Ruth McInroy

(74) *Attorney, Agent, or Firm* — Dorsey & Whitney LLP

(57) **CLAIM**

The ornamental design for a dual burner, as shown and
described.

DESCRIPTION

FIG. 1 is a top, front and side perspective view of a dual burner
showing our new design;
FIG. 2 is a front elevation view thereof;
FIG. 3 is a rear elevation view thereof;
FIG. 4 is a right side elevation view thereof;
FIG. 5 is a left side elevation view thereof; and,
FIG. 6 is a top plan view thereof.
The details shown in broken lines form no part of the claimed
design.

Related U.S. Application Data

(62) Division of application No. 29/335,241, filed on Apr.
10, 2009, now Pat. No. Des. 640,497.

(51) **LOC (9) Cl.** **07-02**

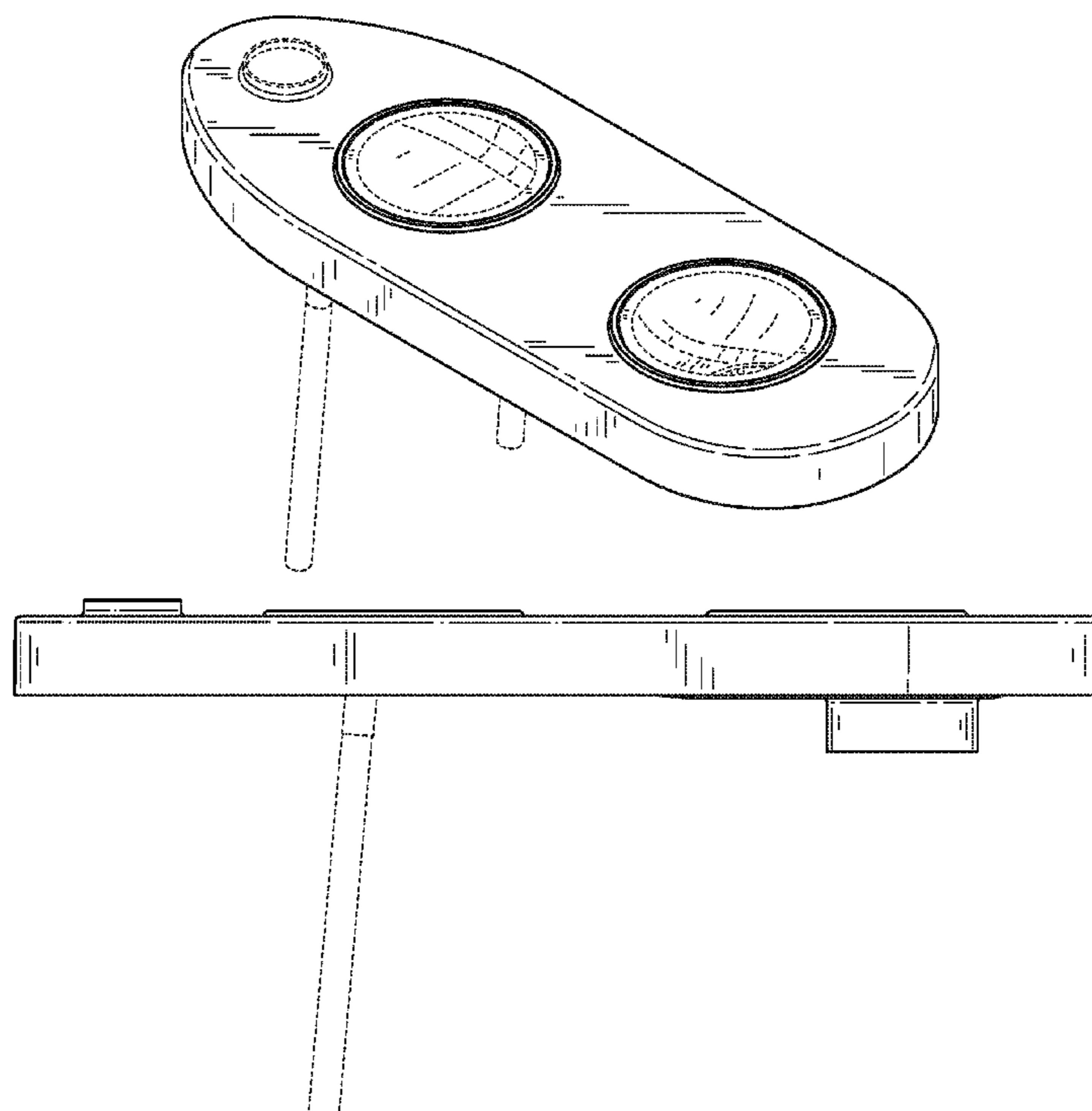
(52) **U.S. Cl.**
USPC **D7/337**

(58) **Field of Classification Search**

USPC D7/332, 334–337, 402–404, 406–407;
126/37 R, 25 R, 41 R, 41 C, 41 D, 41 E,
126/9 R, 44, 50, 39 E, 91 A, 38, 37 B, 265;
99/339, 340, 450, 444; 431/354

See application file for complete search history.

1 Claim, 5 Drawing Sheets



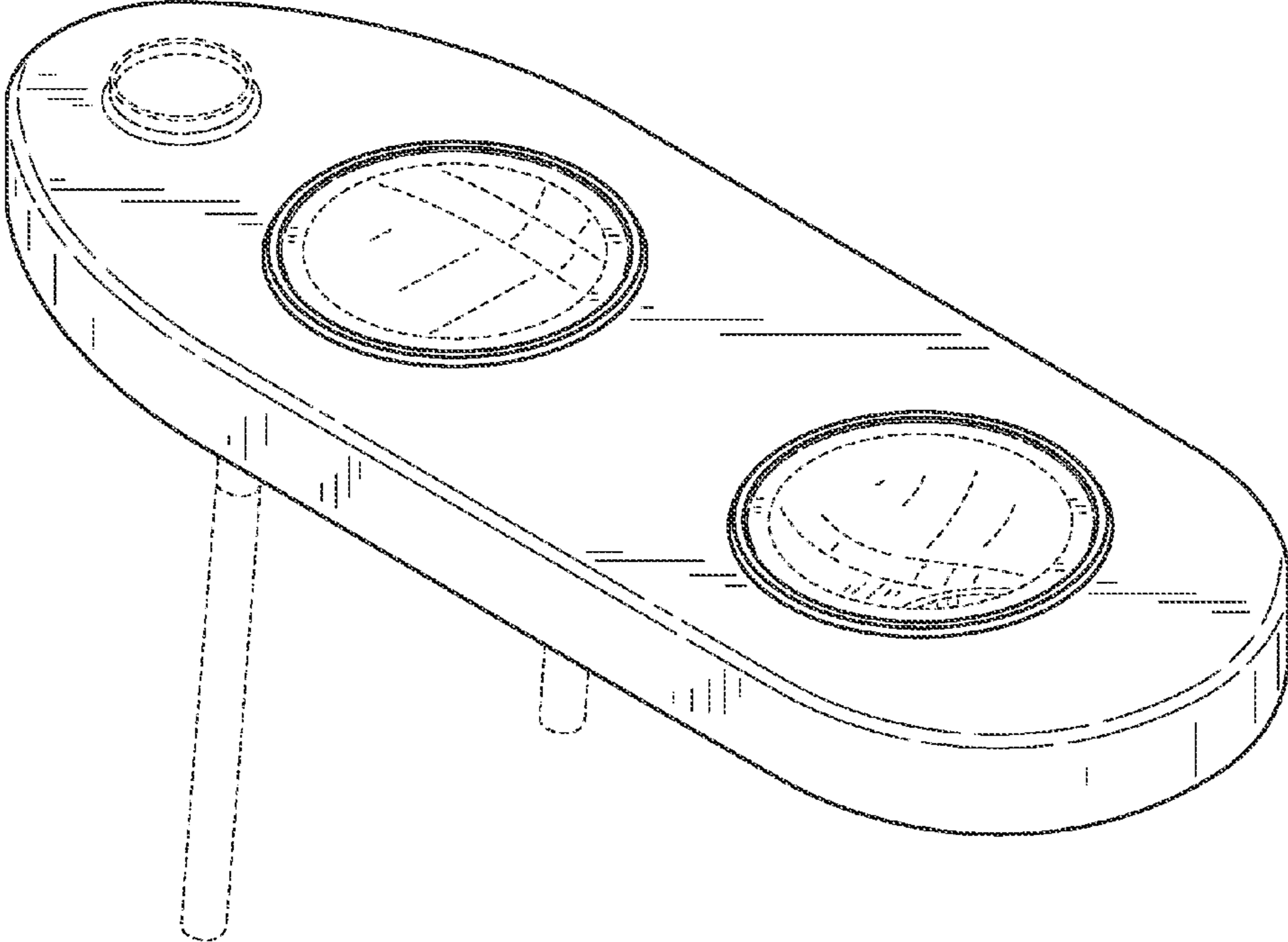


FIG.1

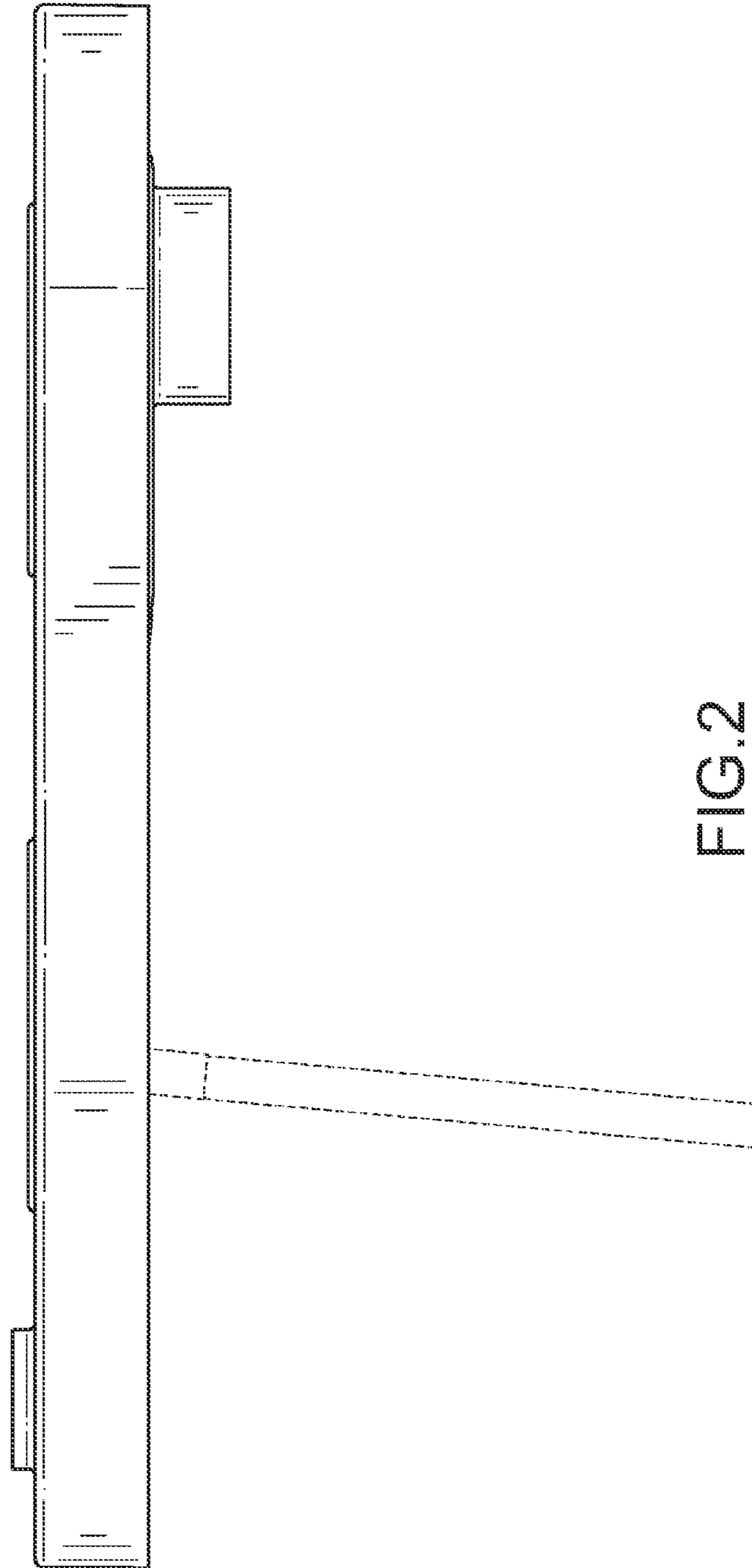


FIG. 2

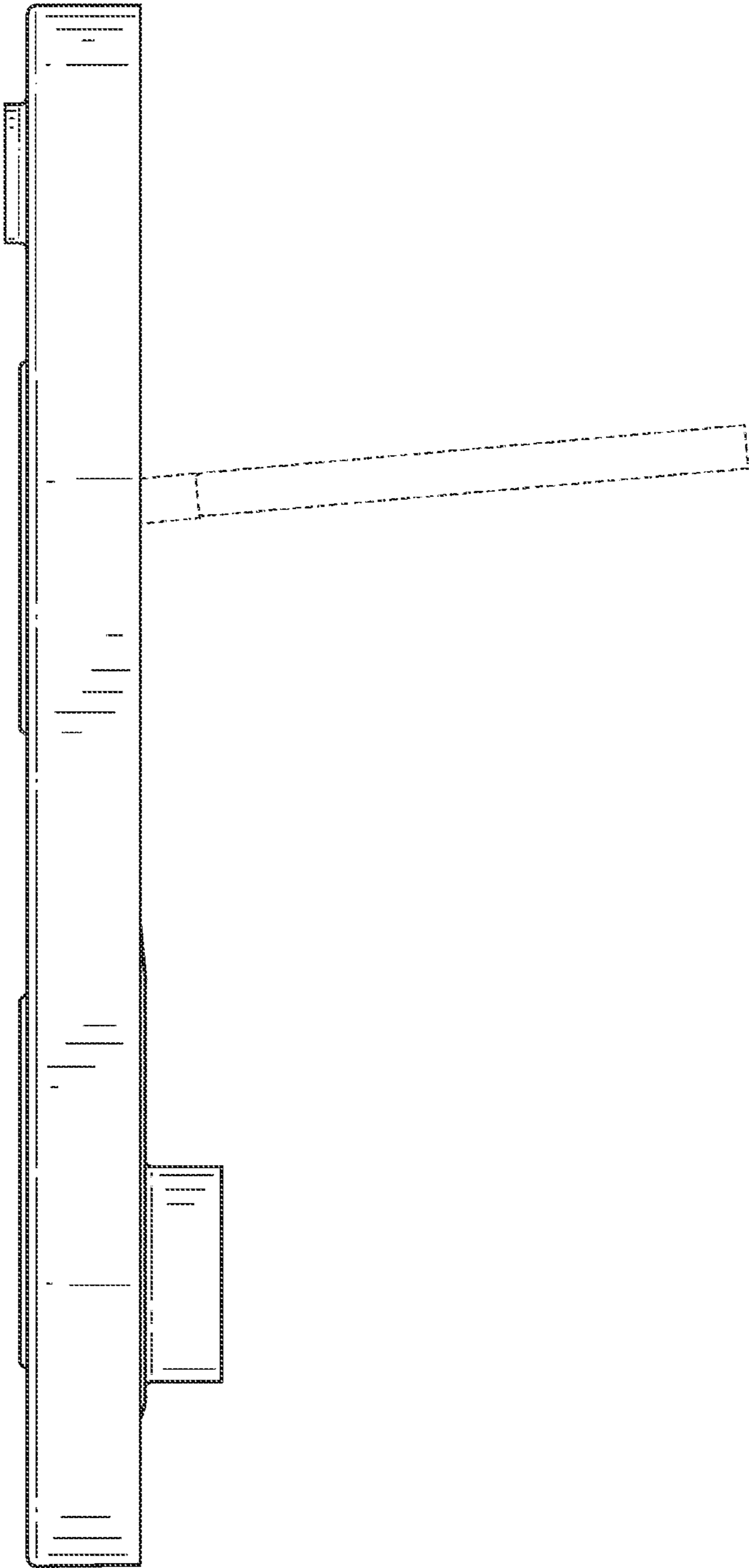


FIG. 3

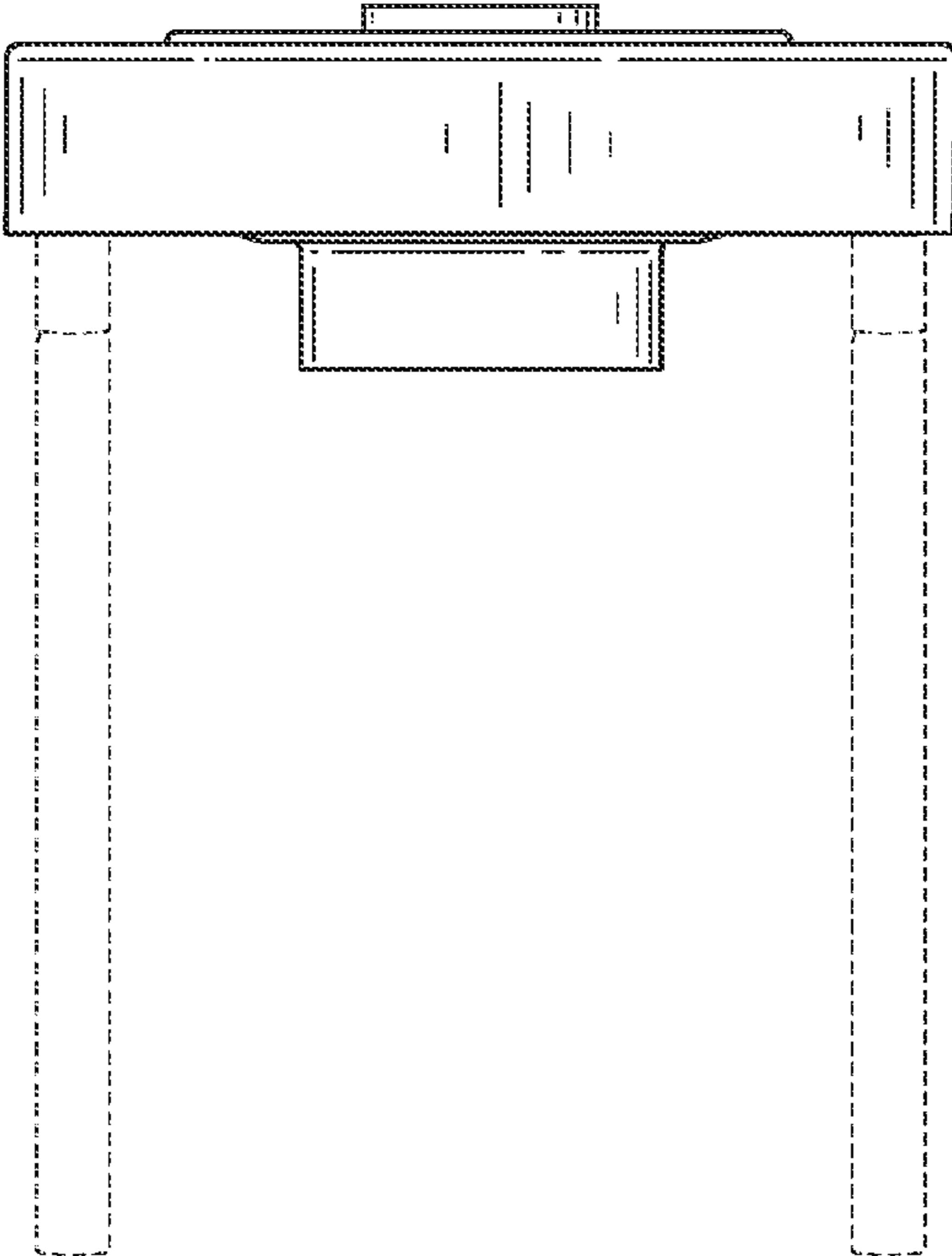


FIG.4

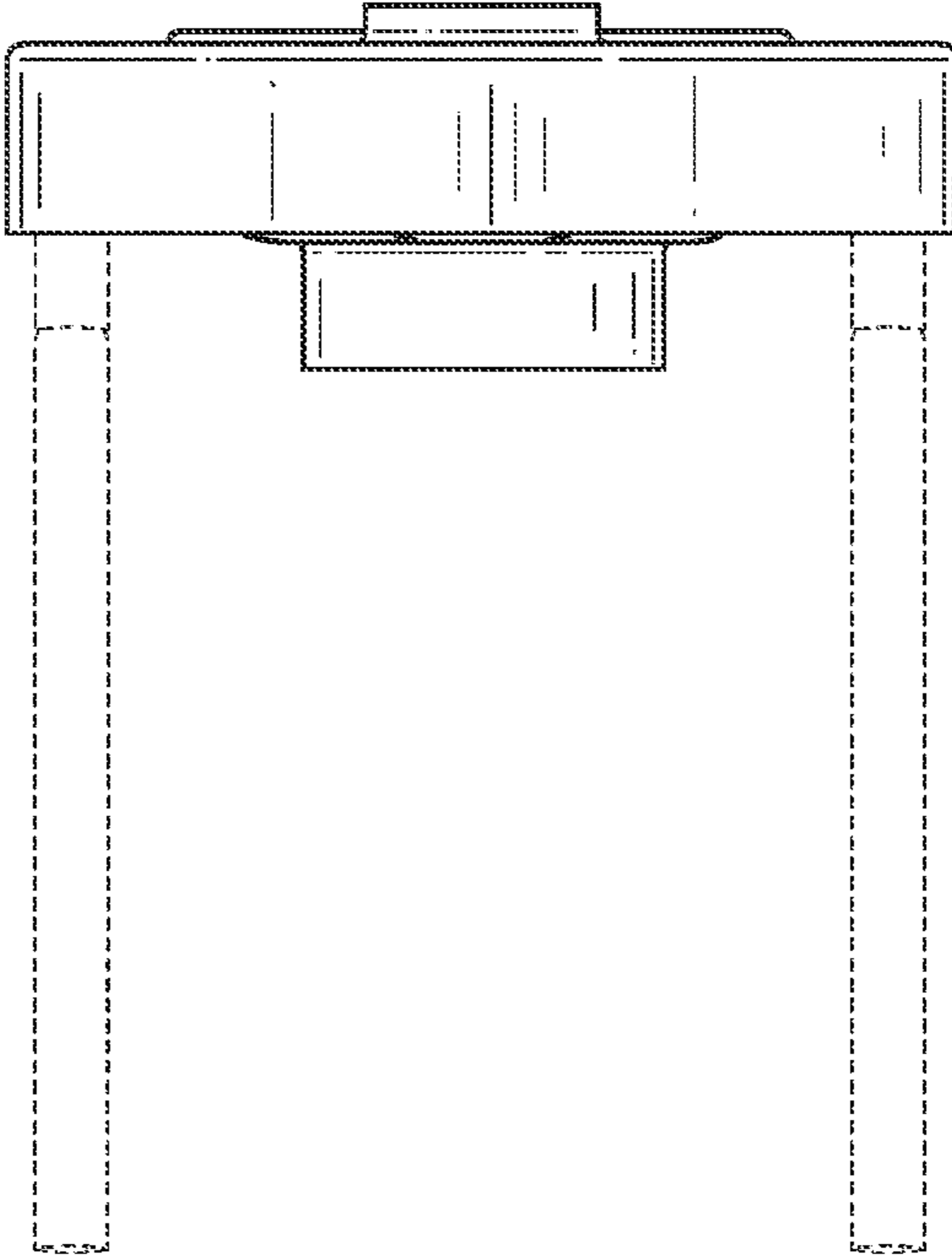


FIG.5

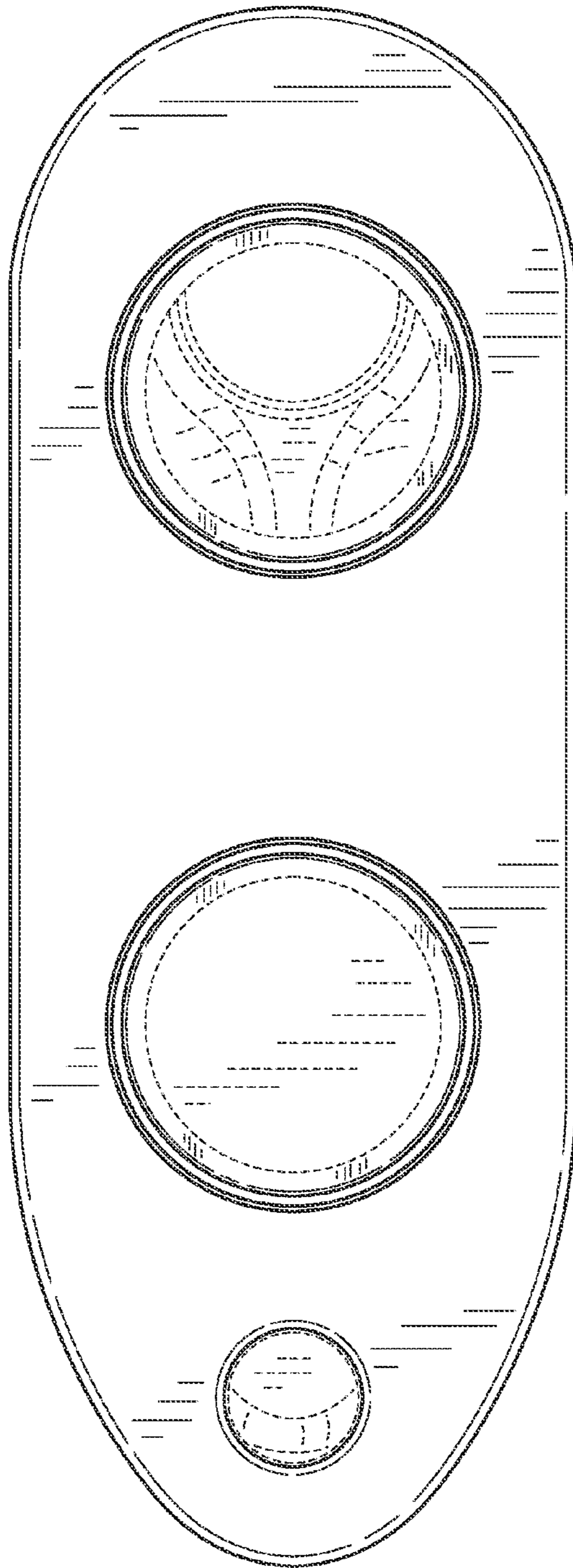


FIG.6