



US00D686443S

(12) **United States Design Patent**
Morabito

(10) **Patent No.:** **US D686,443 S**
(45) **Date of Patent:** **** Jul. 23, 2013**

- (54) **BARBEQUE WITH LID**
- (75) Inventor: **Joshua Morabito**, New South Wales (AU)
- (73) Assignee: **Shriro Australia Pty Limited**, New South Wales (AU)
- (**) Term: **14 Years**
- (21) Appl. No.: **29/413,707**
- (22) Filed: **Feb. 17, 2012**

D185,280 S *	5/1959	Greenblat	D7/337
D187,095 S *	1/1960	Jossep	D7/337
D277,541 S *	2/1985	Espinda	D7/337
D290,923 S *	7/1987	Erickson	D7/337
D326,030 S *	5/1992	Silver	D7/362
D340,613 S *	10/1993	Kesling	D7/337
D427,839 S *	7/2000	Toyama	D7/332
D432,852 S *	10/2000	Mosher et al.	D7/337
D484,737 S *	1/2004	Bodum	D7/337
6,823,858 B1 *	11/2004	Chen	126/9 R
D582,716 S *	12/2008	Averty	D7/337
D610,394 S *	2/2010	Bodum	D7/362
D611,291 S *	3/2010	Chung	D7/337
2010/0089249 A1 *	4/2010	Giagrasso et al.	99/447

* cited by examiner

- (30) **Foreign Application Priority Data**
Aug. 19, 2011 (AU) 13684/2011
- (51) **LOC (9) Cl.** **07-02**
- (52) **U.S. Cl.**
USPC **D7/332; D7/350.1**
- (58) **Field of Classification Search**
USPC D7/332, 334, 337, 402-404, 408-409,
D7/362-363, 365, 367, 354-355, 359; 126/27,
126/44, 25 R, 41 R, 9 R, 40, 50, 38, 39 H,
126/39 N, 39 K, 39 M, 39 R; 99/425, 444-44,
99/450; 431/247, 207, 264
See application file for complete search history.

Primary Examiner — Ruth McInroy
(74) *Attorney, Agent, or Firm* — Fitch, Even, Tabin & Flannery, LLP

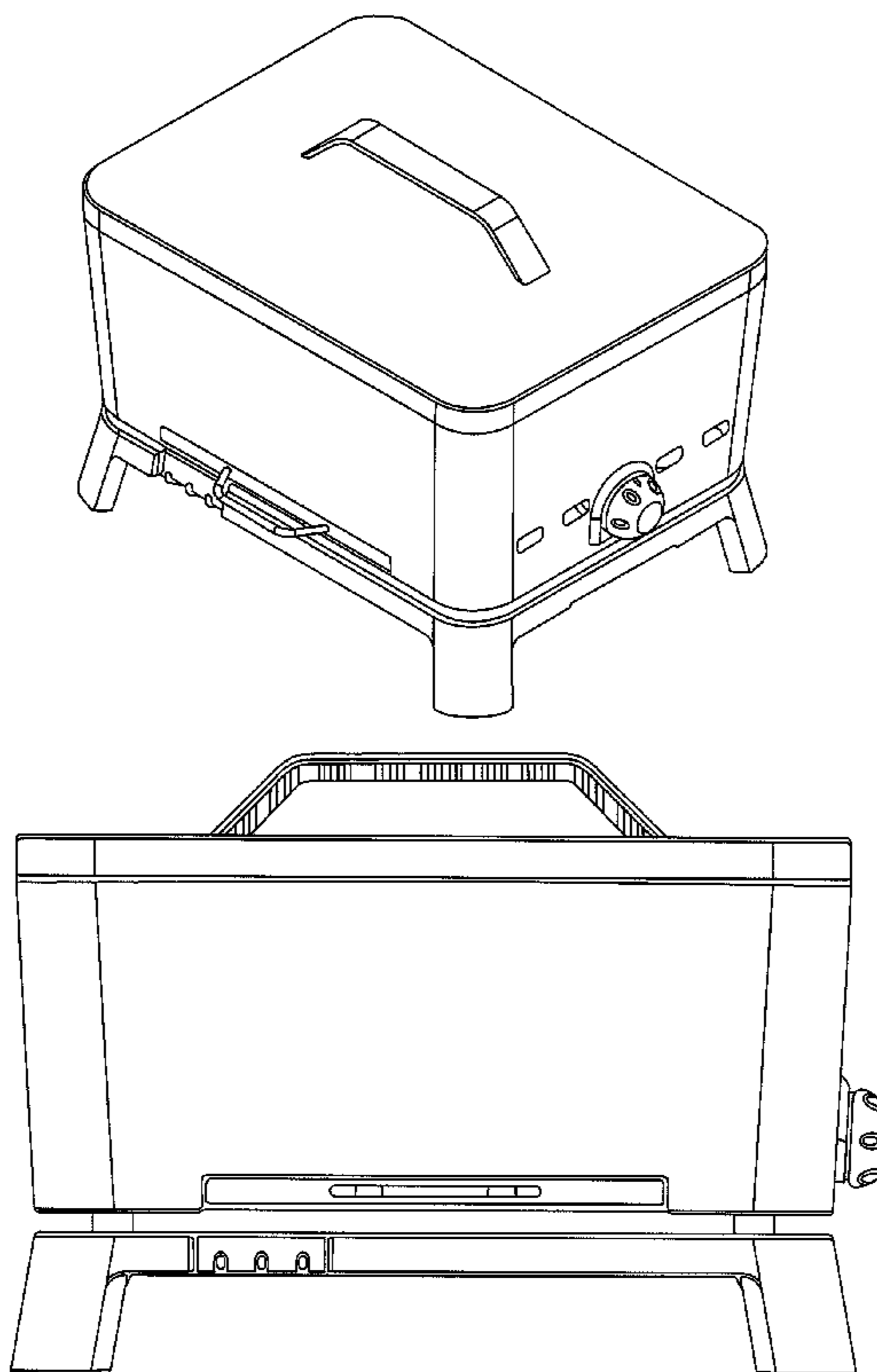
(57) **CLAIM**
I claim the ornamental design for a barbeque with lid, as shown and described.

DESCRIPTION

FIG. 1 is a perspective view of the barbeque with lid showing my new design;
FIG. 2 is a rear perspective view thereof;
FIG. 3 is a front elevational view thereof;
FIG. 4 is a rear elevational view thereof;
FIG. 5 is a top plan view thereof;
FIG. 6 is a right side elevational view thereof; and,
FIG. 7 is a left side elevational view thereof.

- (56) **References Cited**
U.S. PATENT DOCUMENTS
D142,417 S * 9/1945 Jones D7/332
D184,876 S * 4/1959 Joseph D7/332

1 Claim, 7 Drawing Sheets



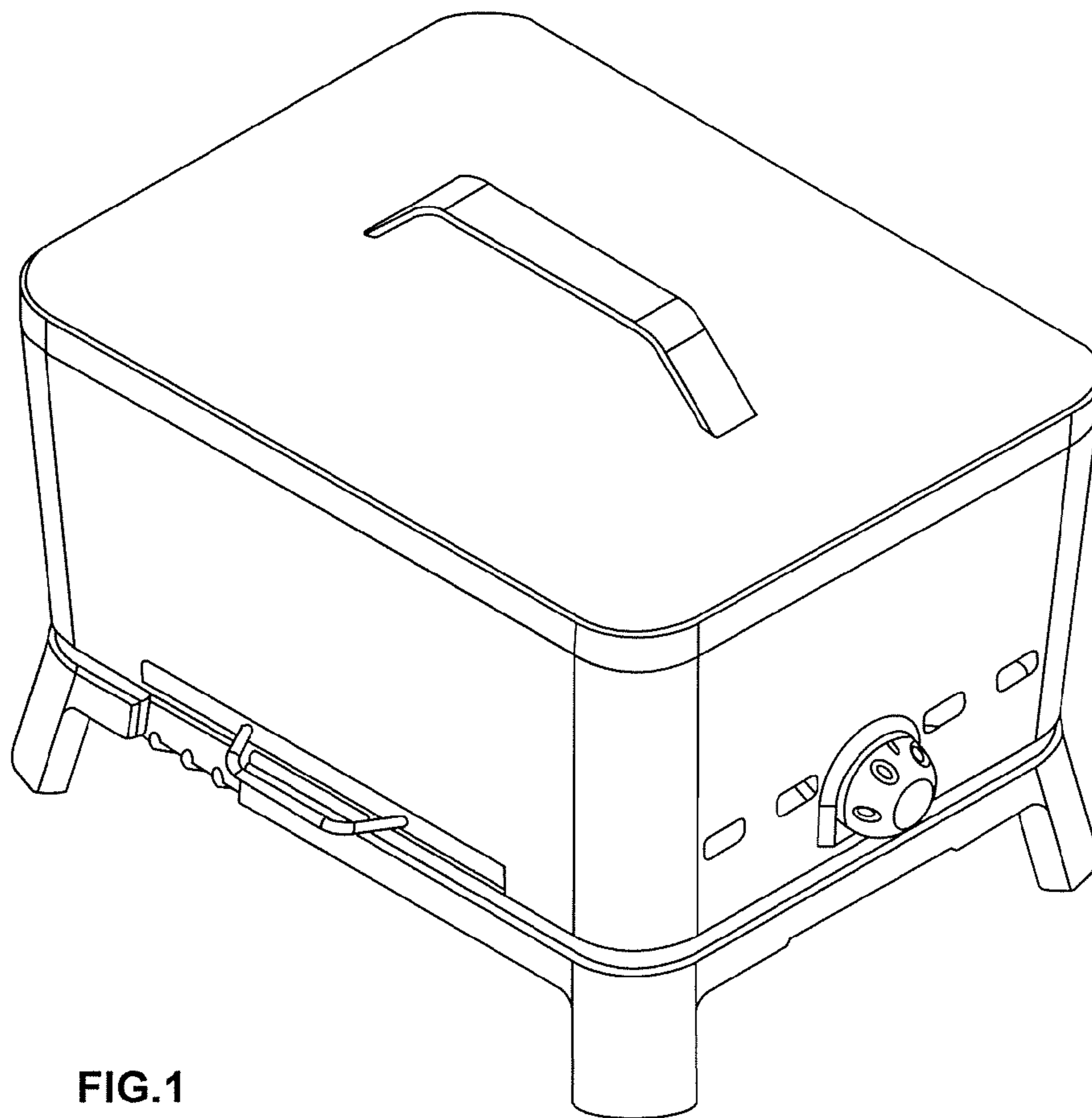


FIG. 1

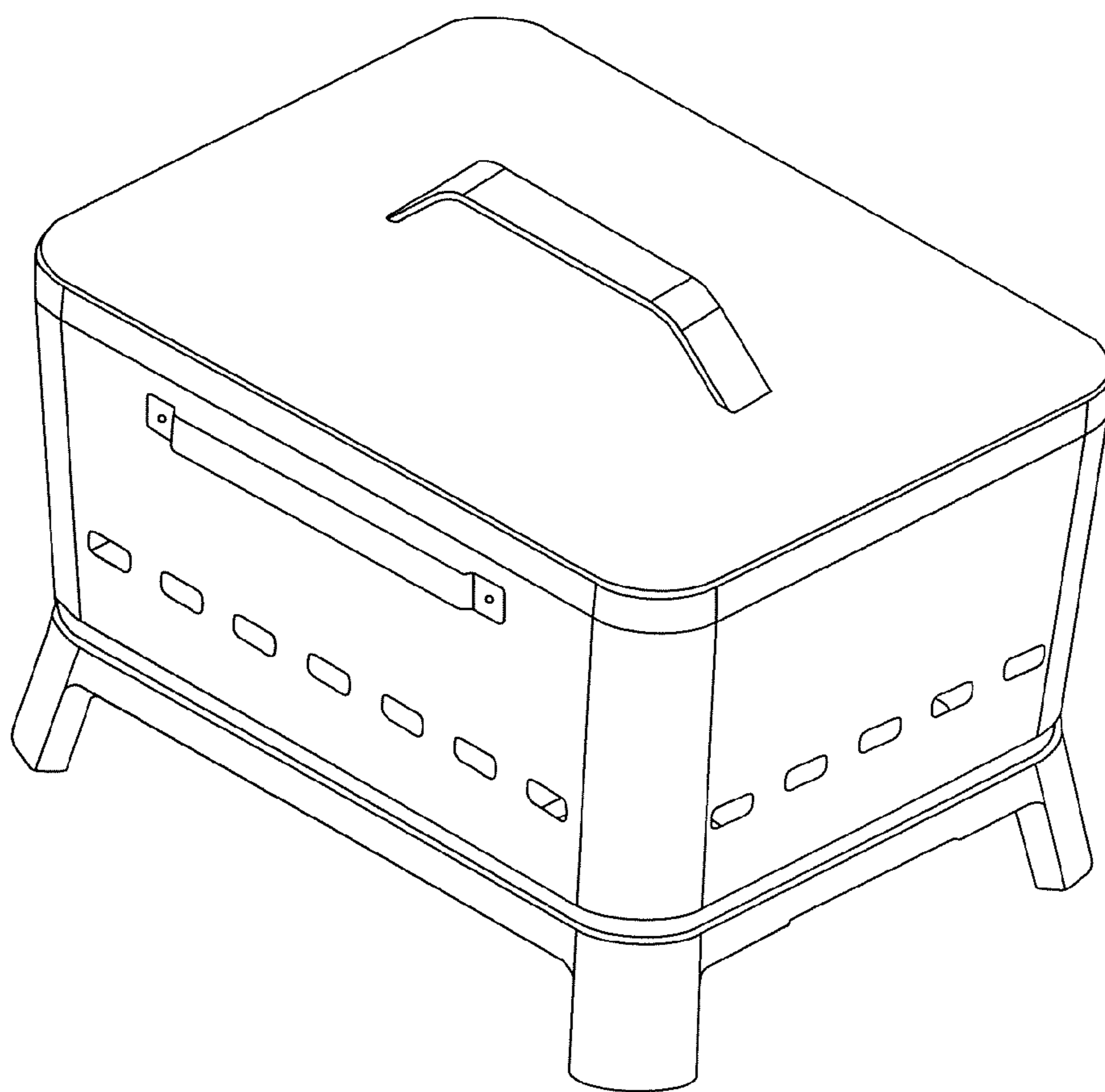


FIG.2

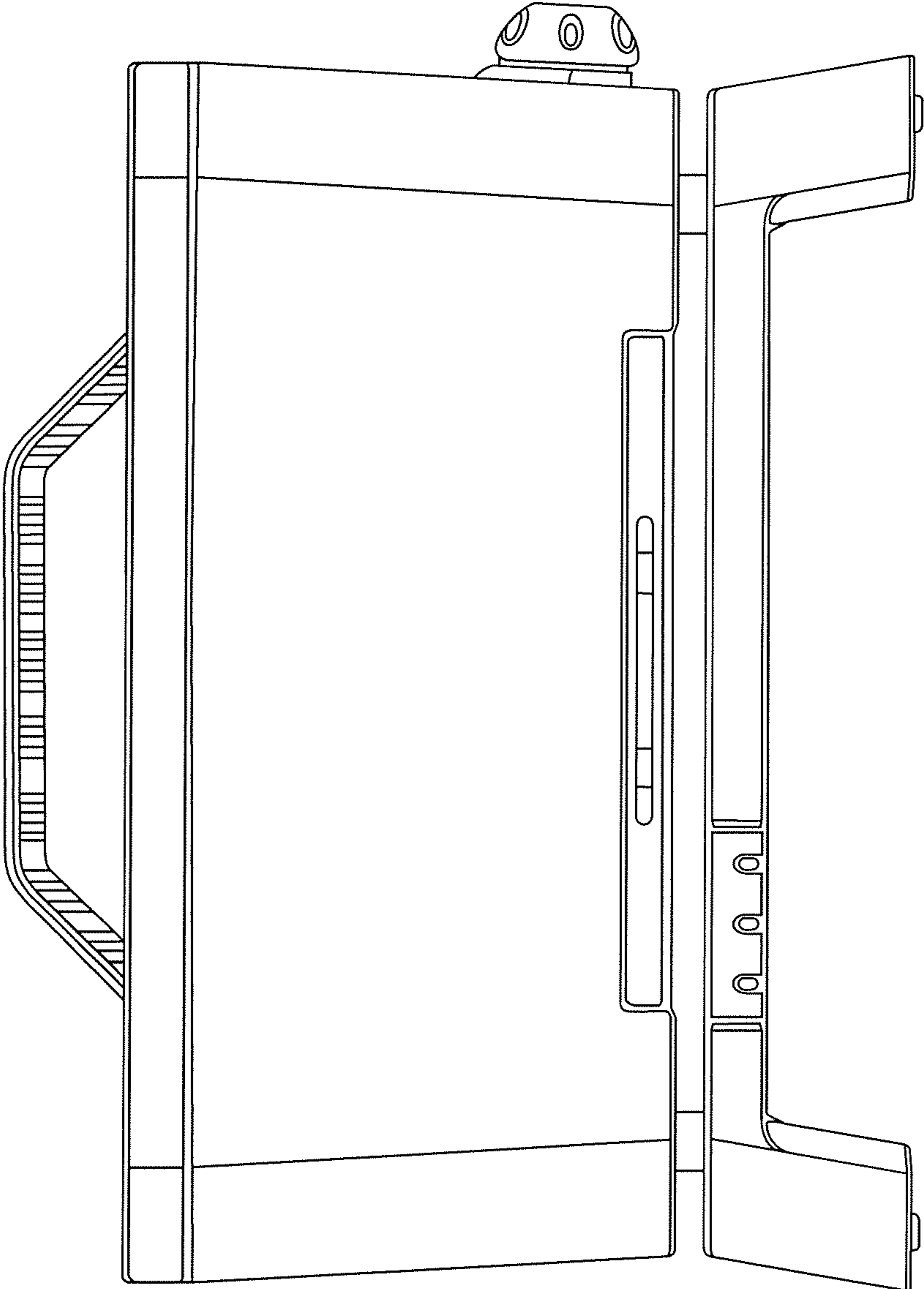


FIG.3

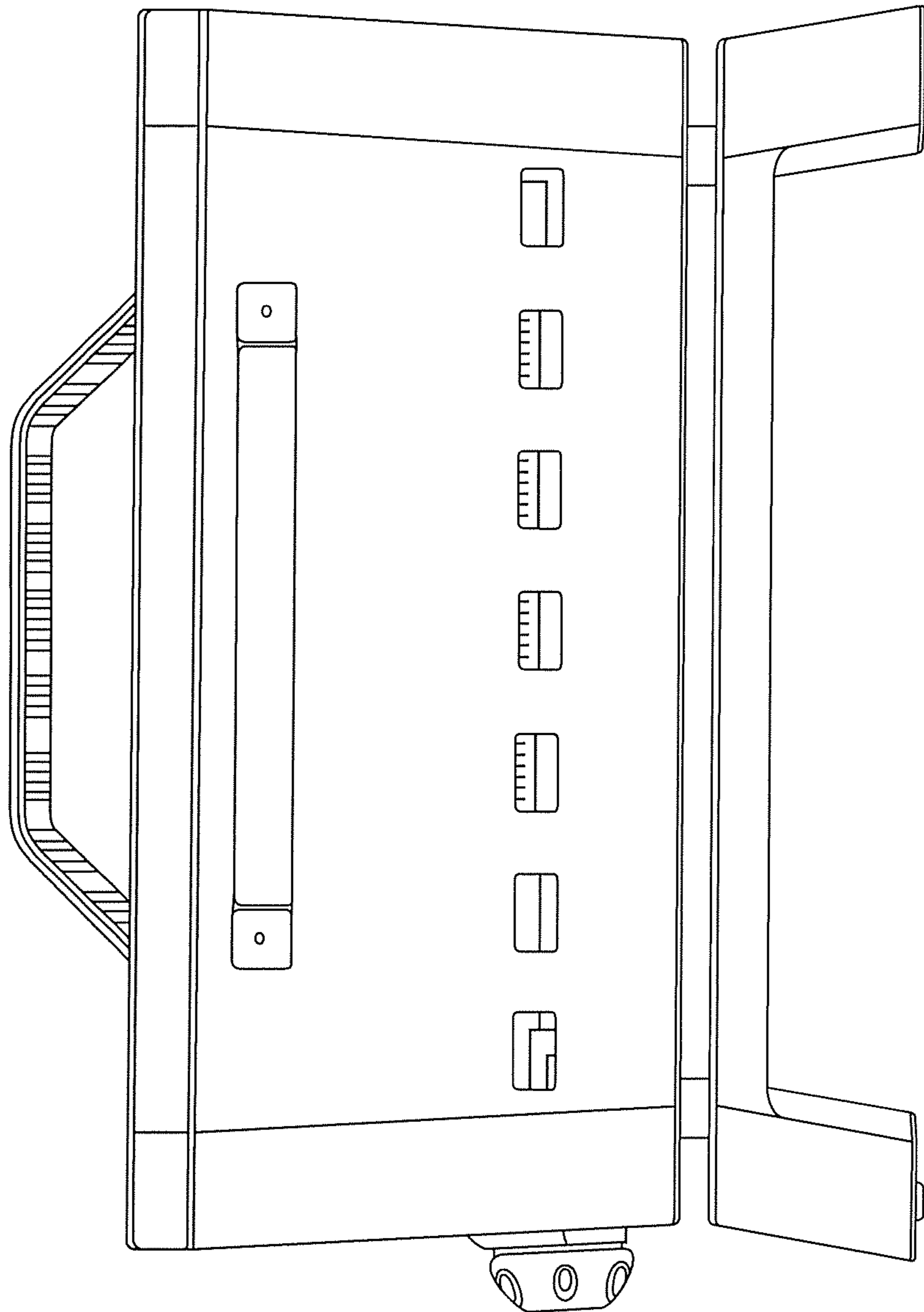


FIG.4

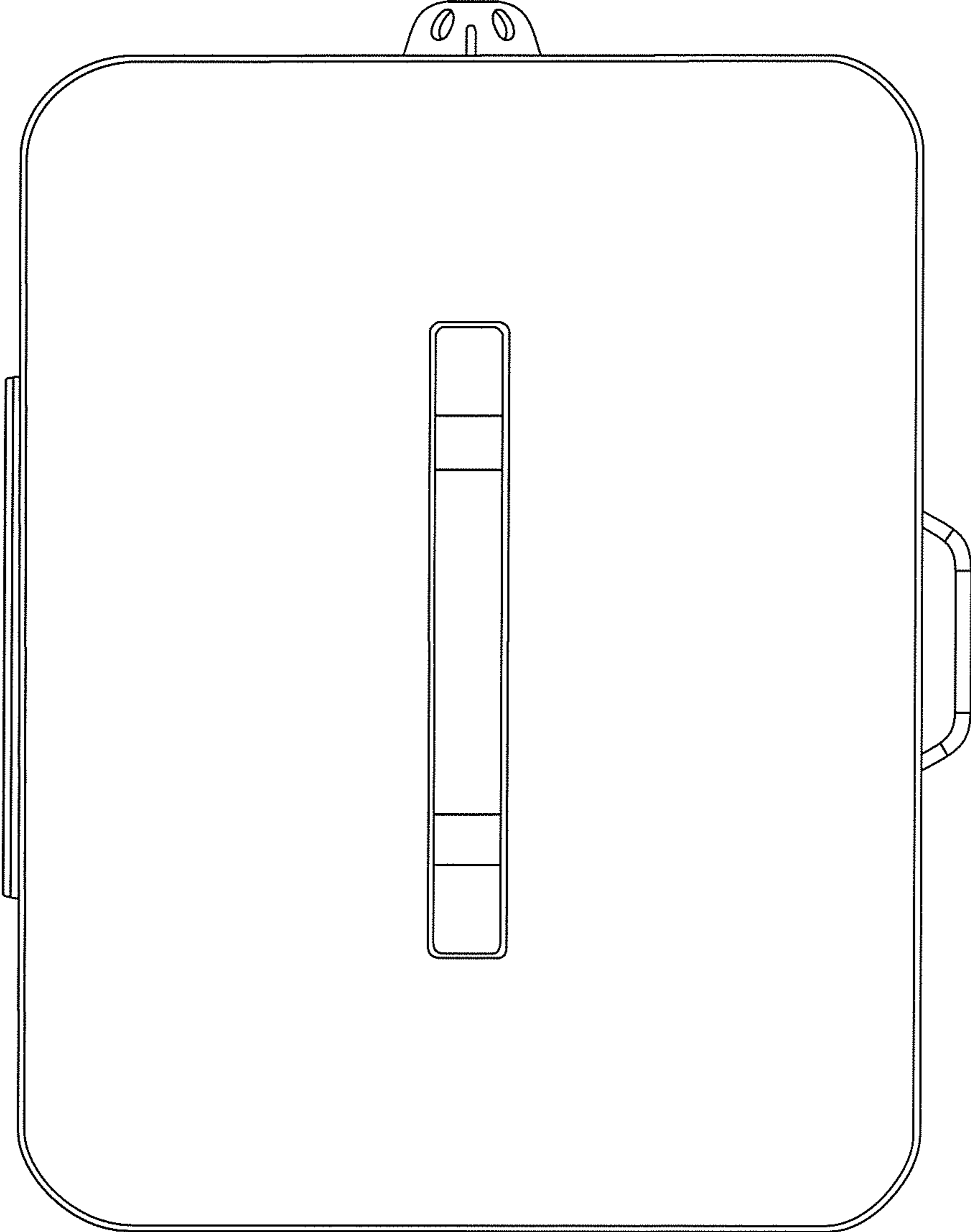


FIG.5

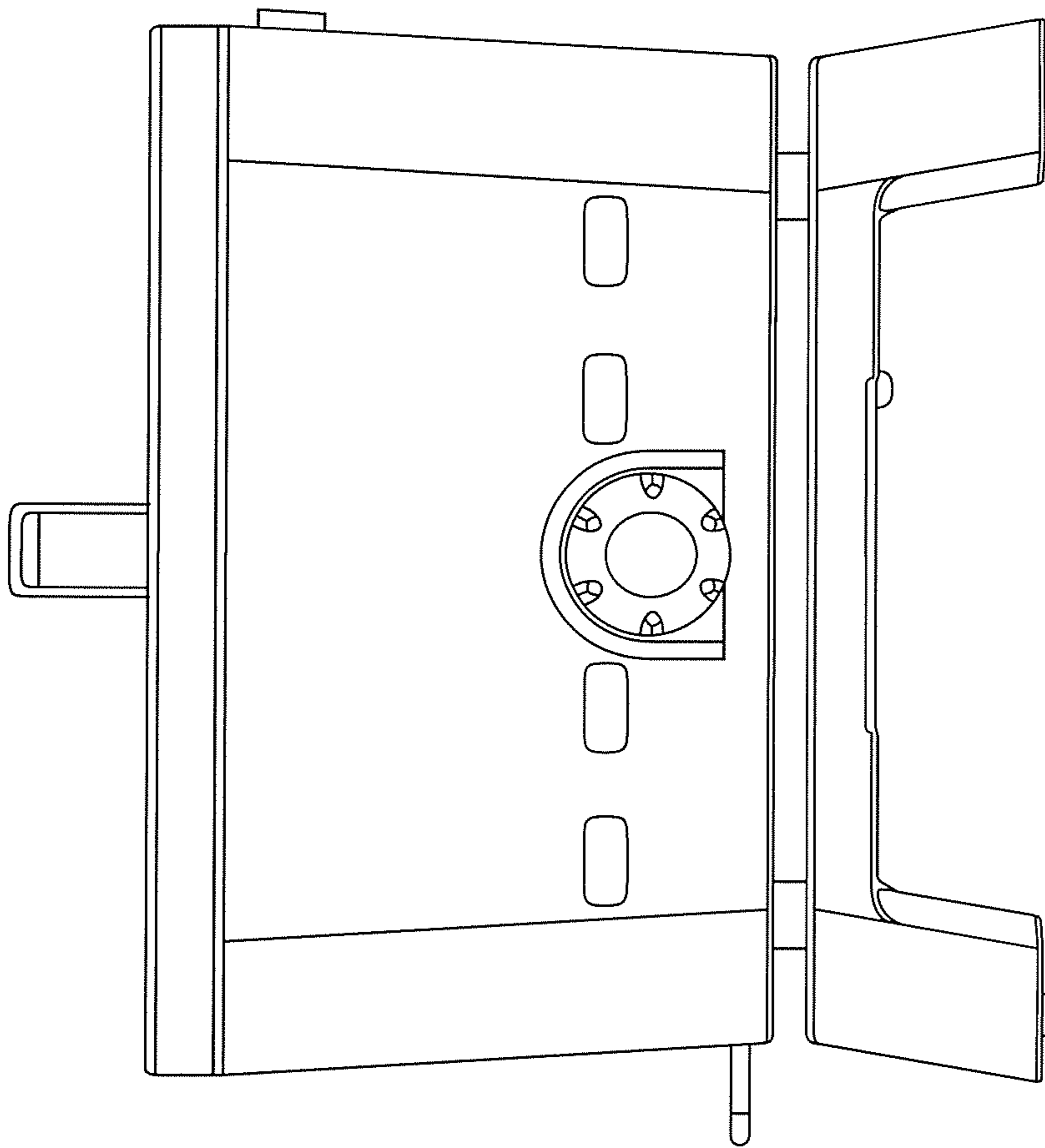


FIG.6

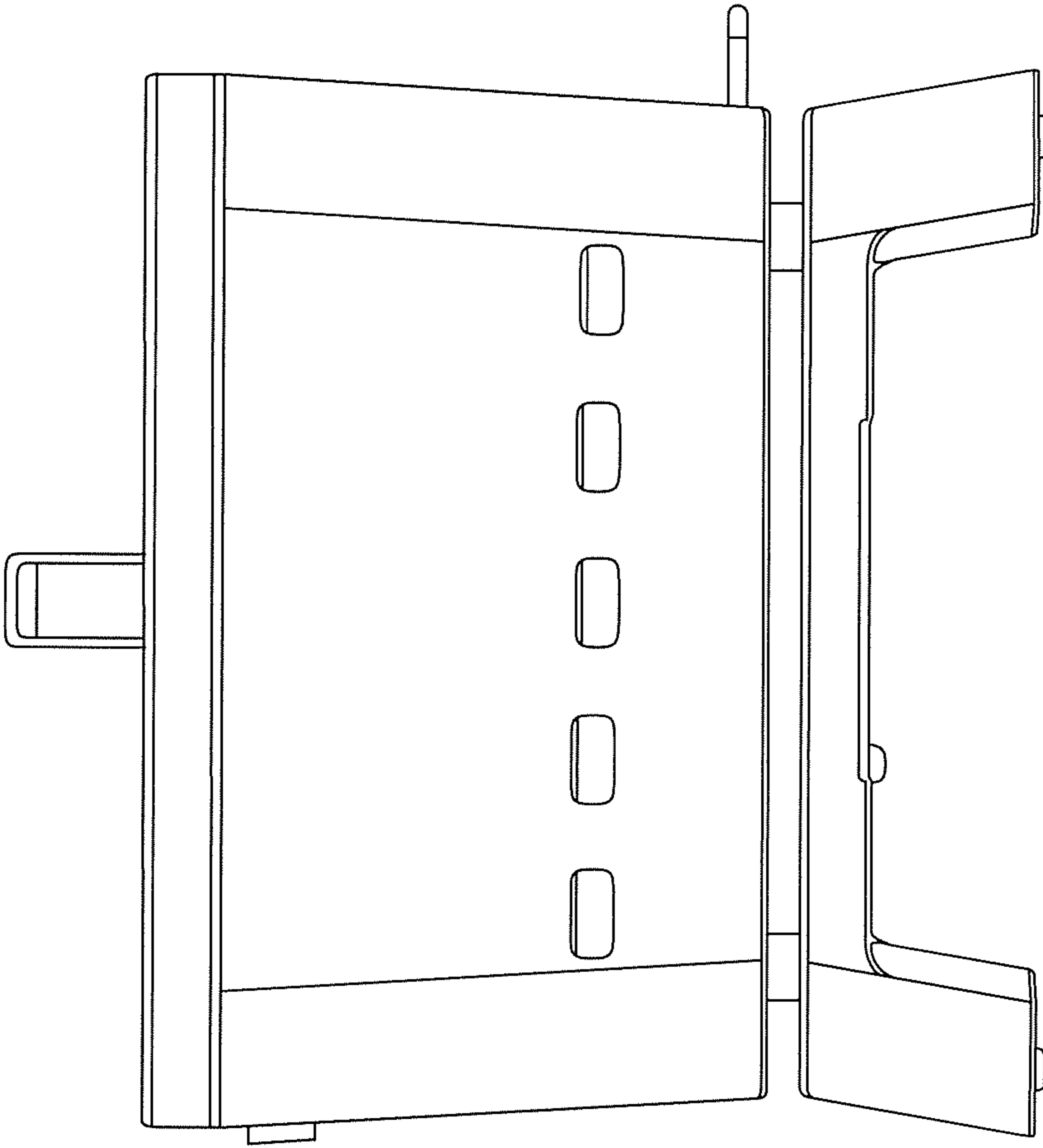


FIG.7