



US00D686442S

(12) **United States Design Patent**
Dobert et al.

(10) **Patent No.:** **US D686,442 S**
(45) **Date of Patent:** **** Jul. 23, 2013**

(54) **MULTI-FUNCTIONAL PLATFORM FOOD PREPARATION DEVICE**

(75) Inventors: **Marvin S. Dobert**, Bolton Landing, NY (US); **Mark Groenhuyzen**, Huntington Beach, CA (US); **Joseph C. Klingl**, Los Angeles, CA (US); **Jerry Sharber**, Cypress, CA (US); **Jack B. Lovley**, Lake Forest, CA (US)

(73) Assignee: **Bravo Sports**, Santa Fe Springs, CA (US)

(**) Term: **14 Years**

(21) Appl. No.: **29/400,741**

(22) Filed: **Aug. 31, 2011**

(51) **LOC (9) Cl.** **07-02**

(52) **U.S. Cl.**
USPC **D7/332**

(58) **Field of Classification Search**
USPC D7/332, 334–337, 402–406, 408–409, D7/362–363, 365, 367, 354–355, 359; 126/27, 126/33, 44, 25 R, 37 R, 41 R, 9 R, 38, 40, 126/50, 39 E, 39 G, 39 H, 39 J, 39 N, 39 K, 126/39 M, 39 R, 80, 243, 212, 285 R, 287, 126/290, 25 A, 244, 293, 160, 152 R, 289; 219/443.1, 520, 538; 99/425, 444–450, 481–482, 413, 339–340; 431/247, 207, 264
See application file for complete search history.

(56) **References Cited**

U.S. PATENT DOCUMENTS

92,282	A *	7/1869	Cushing	126/99 R
1,733,450	A *	10/1929	Detwiler	99/340
3,824,984	A *	7/1974	Swanson et al.	126/25 R
4,704,955	A *	11/1987	Archibald	99/339
5,531,154	A *	7/1996	Perez, III	99/340

D382,765	S *	8/1997	Kellermann	D7/332
D386,936	S *	12/1997	Stone et al.	D7/332
D403,553	S *	1/1999	Graur	D7/335
D431,411	S *	10/2000	Chang	D7/362
D432,855	S *	10/2000	Cho et al.	D7/363
D440,112	S *	4/2001	Su	D7/367
D445,296	S *	7/2001	Kenyon et al.	D7/332
6,257,125	B1 *	7/2001	Pate	99/339
6,389,961	B1 *	5/2002	Wu	99/339
6,838,644	B1 *	1/2005	Chung-Ting	219/393
D570,639	S *	6/2008	Nardone	D7/332
D583,613	S *	12/2008	Proffitt et al.	D7/332
7,766,004	B1 *	8/2010	Bourgeois	126/25 R
D638,654	S *	5/2011	Plott	D7/332
2006/0180139	A1 *	8/2006	Proffitt et al.	126/25 R
2007/0017500	A1 *	1/2007	Chen	126/25 R
2010/0024661	A1 *	2/2010	Wu	99/339
2010/0175563	A1 *	7/2010	Bizal et al.	99/413
2012/0260903	A1 *	10/2012	Buerkle	126/25 R

* cited by examiner

Primary Examiner — Ruth McInroy

(74) *Attorney, Agent, or Firm* — Knobbe, Martens, Olson & Bear, LLP

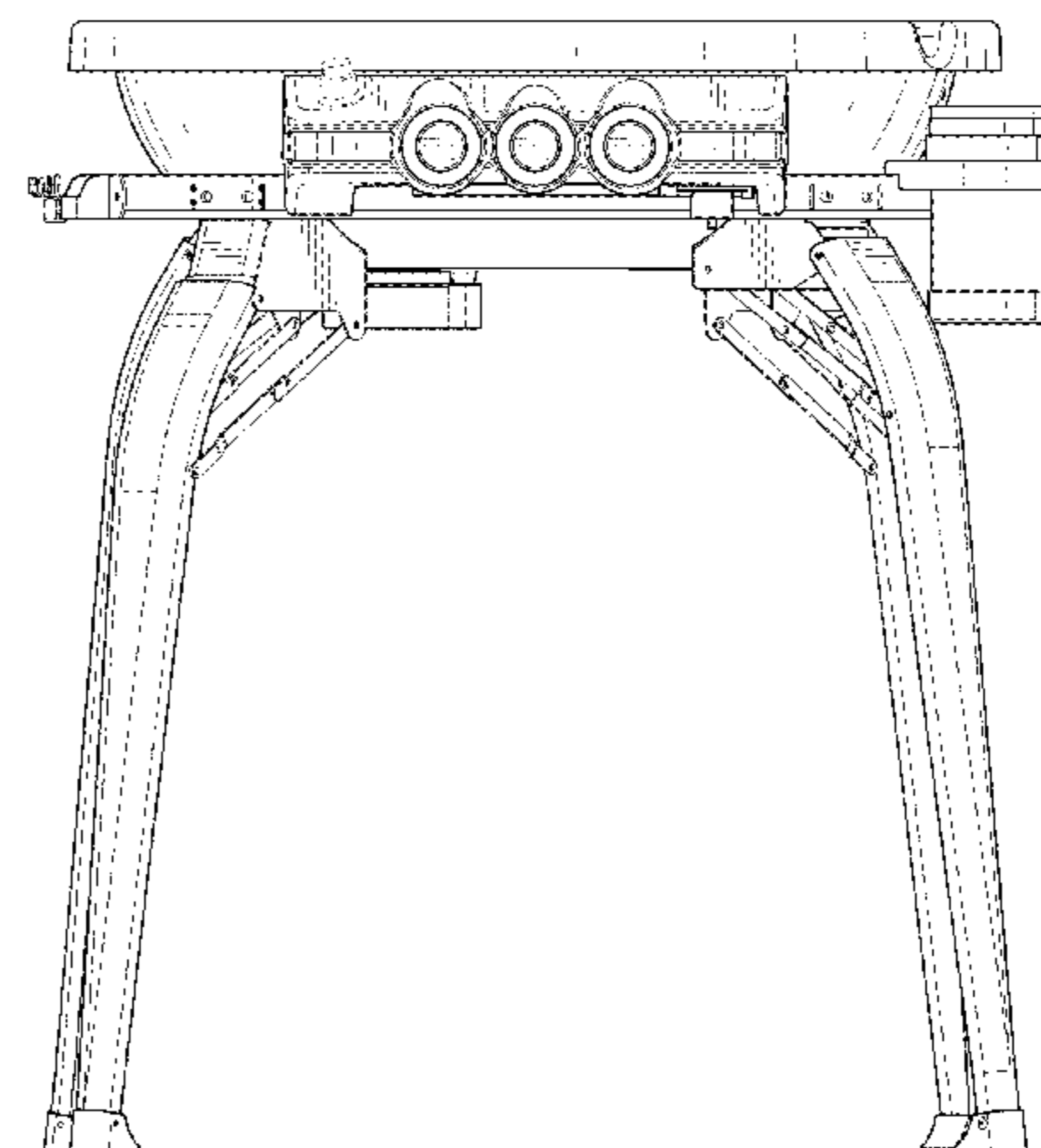
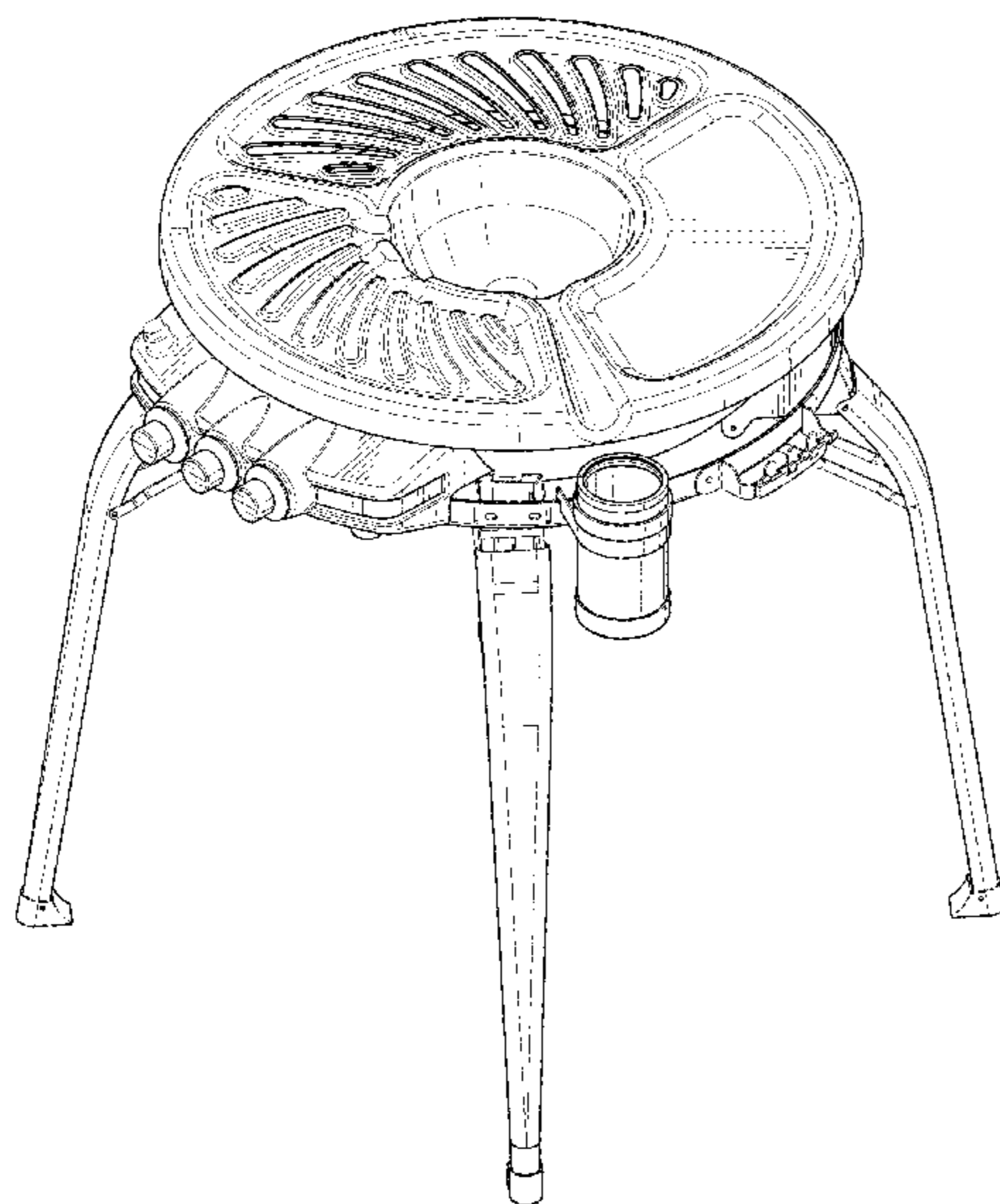
(57) **CLAIM**

The ornamental design for a multi-functional platform food preparation device, as shown and described.

DESCRIPTION

FIG. 1 is a perspective view of a multi-functional platform food preparation device showing our new design; FIG. 2 is a front elevation view thereof; FIG. 3 is a rear elevation view thereof; FIG. 4 is a right side elevation view thereof; FIG. 5 is a left side elevation view thereof; FIG. 6 is a top plan view thereof; and, FIG. 7 is a bottom plan view thereof. The broken lines in the drawings are for illustrative purposes only and form no part of the claimed design.

1 Claim, 7 Drawing Sheets



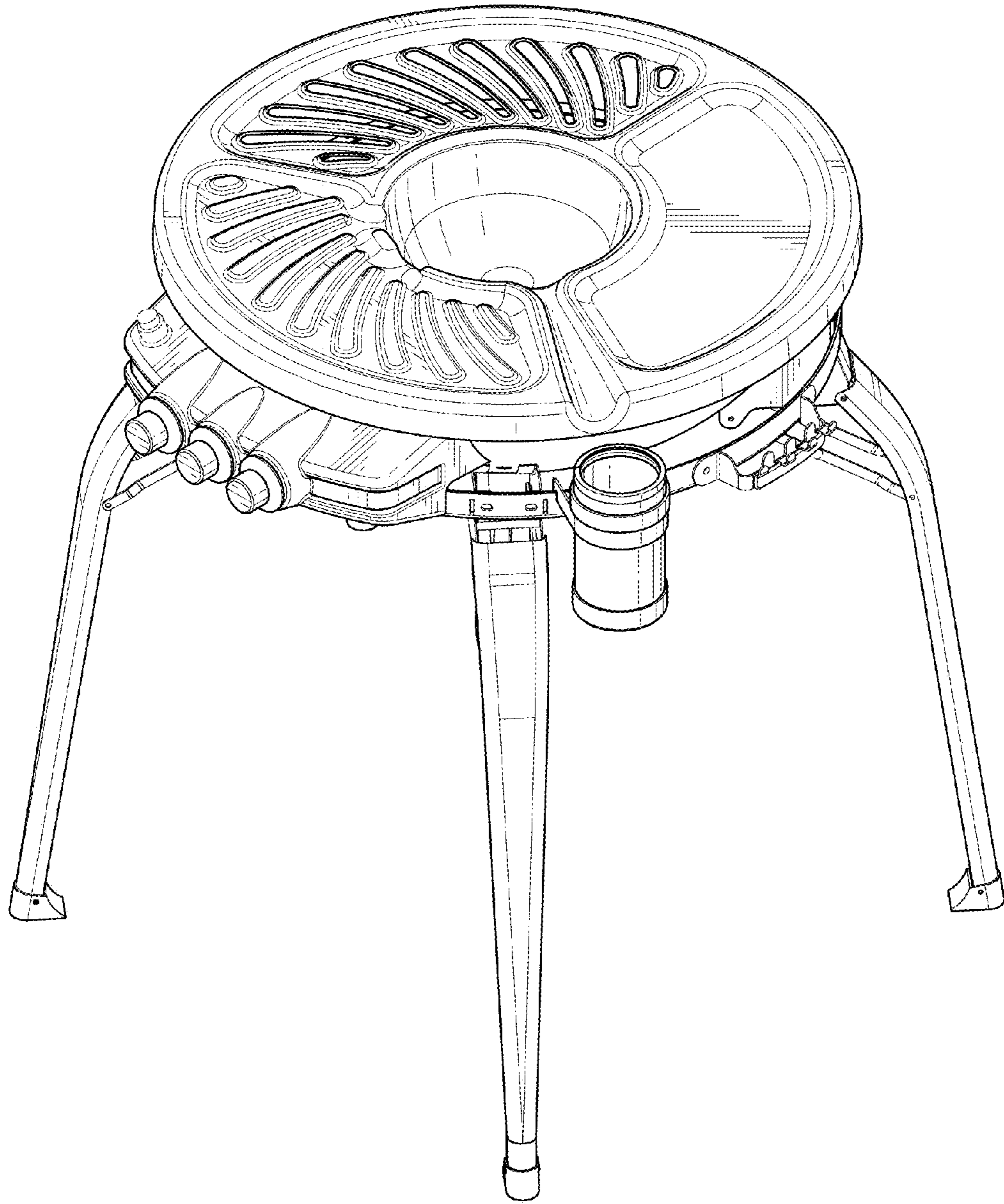


FIG. 1

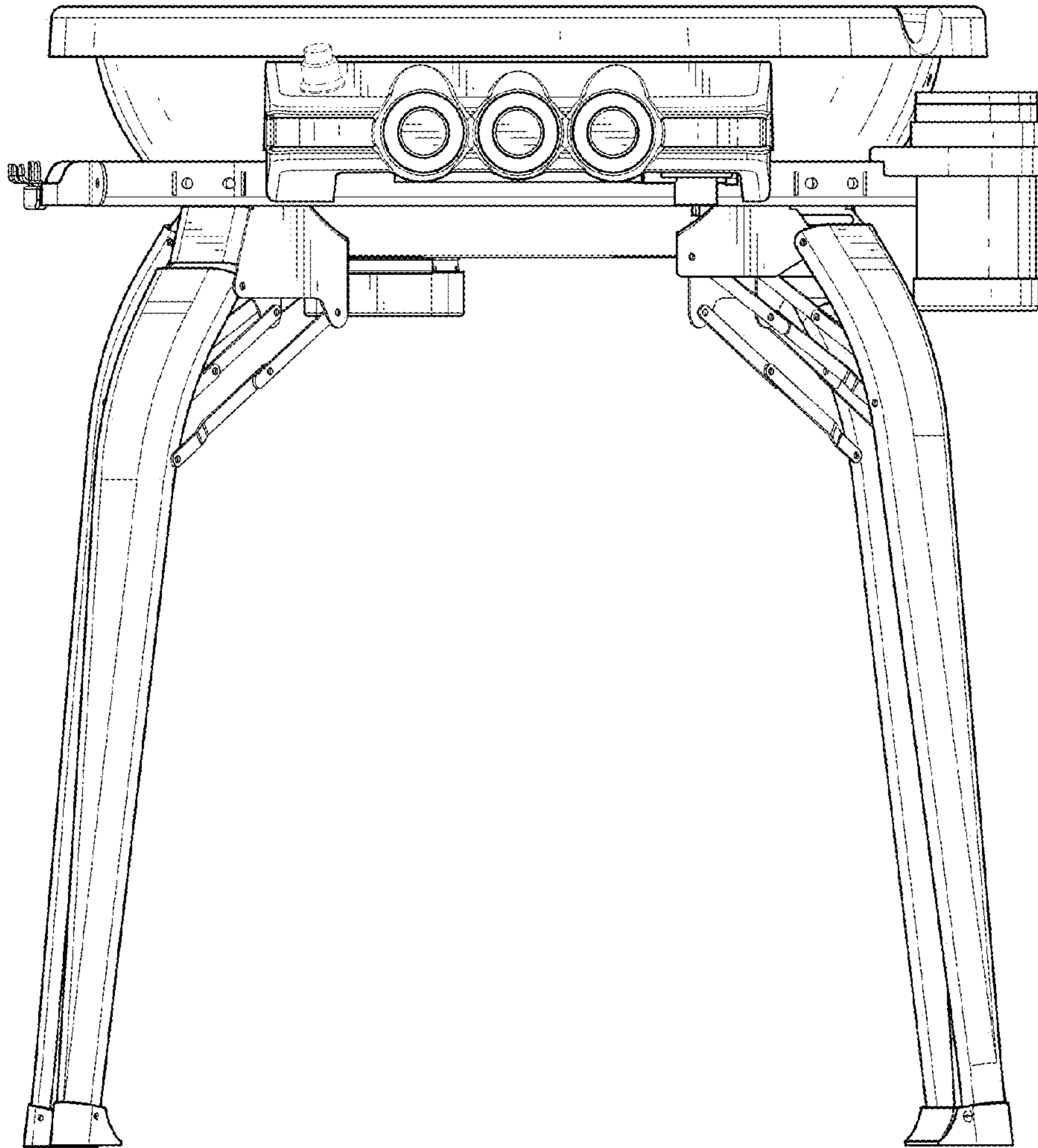


FIG. 2

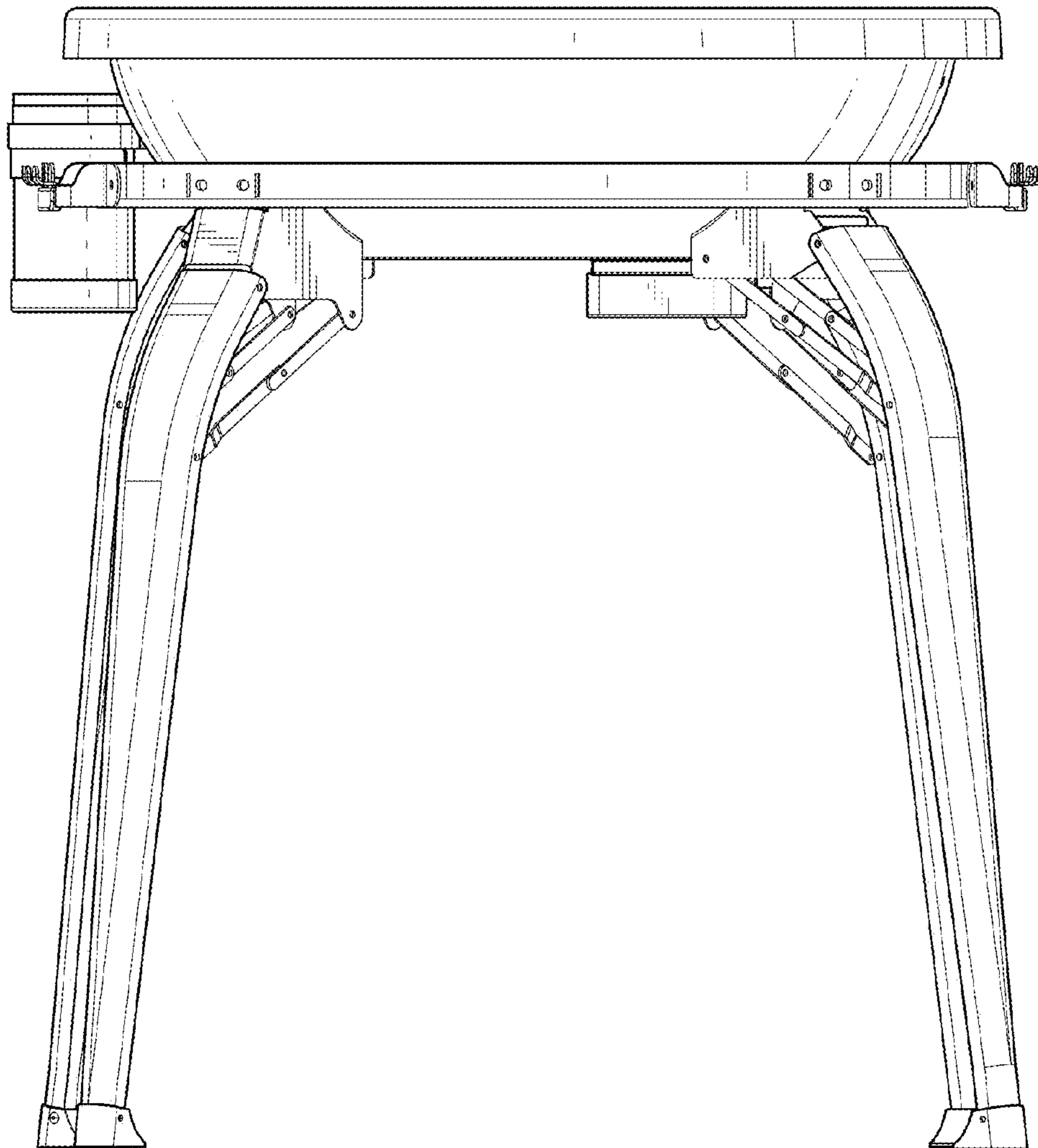


FIG. 3

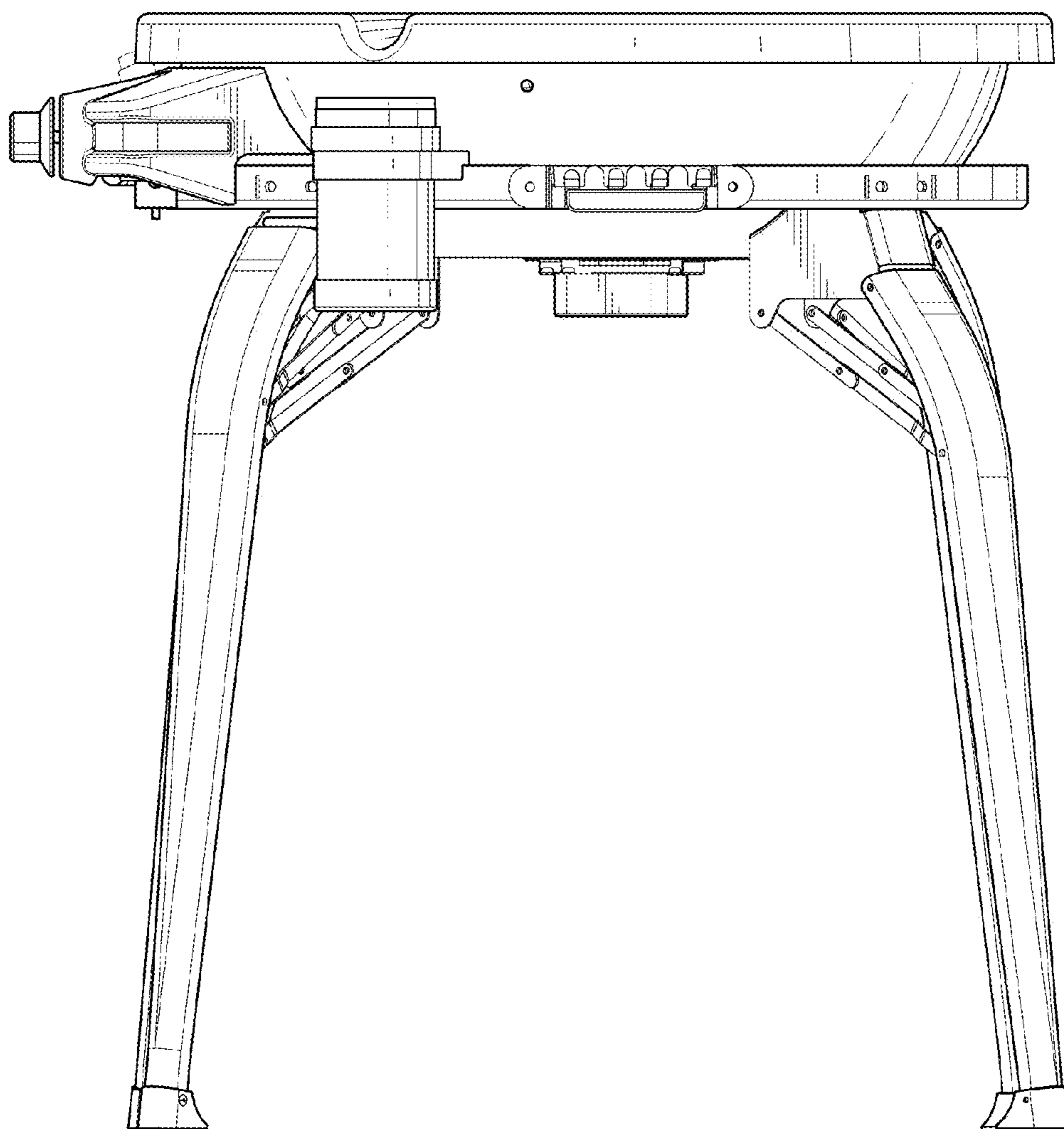


FIG. 4

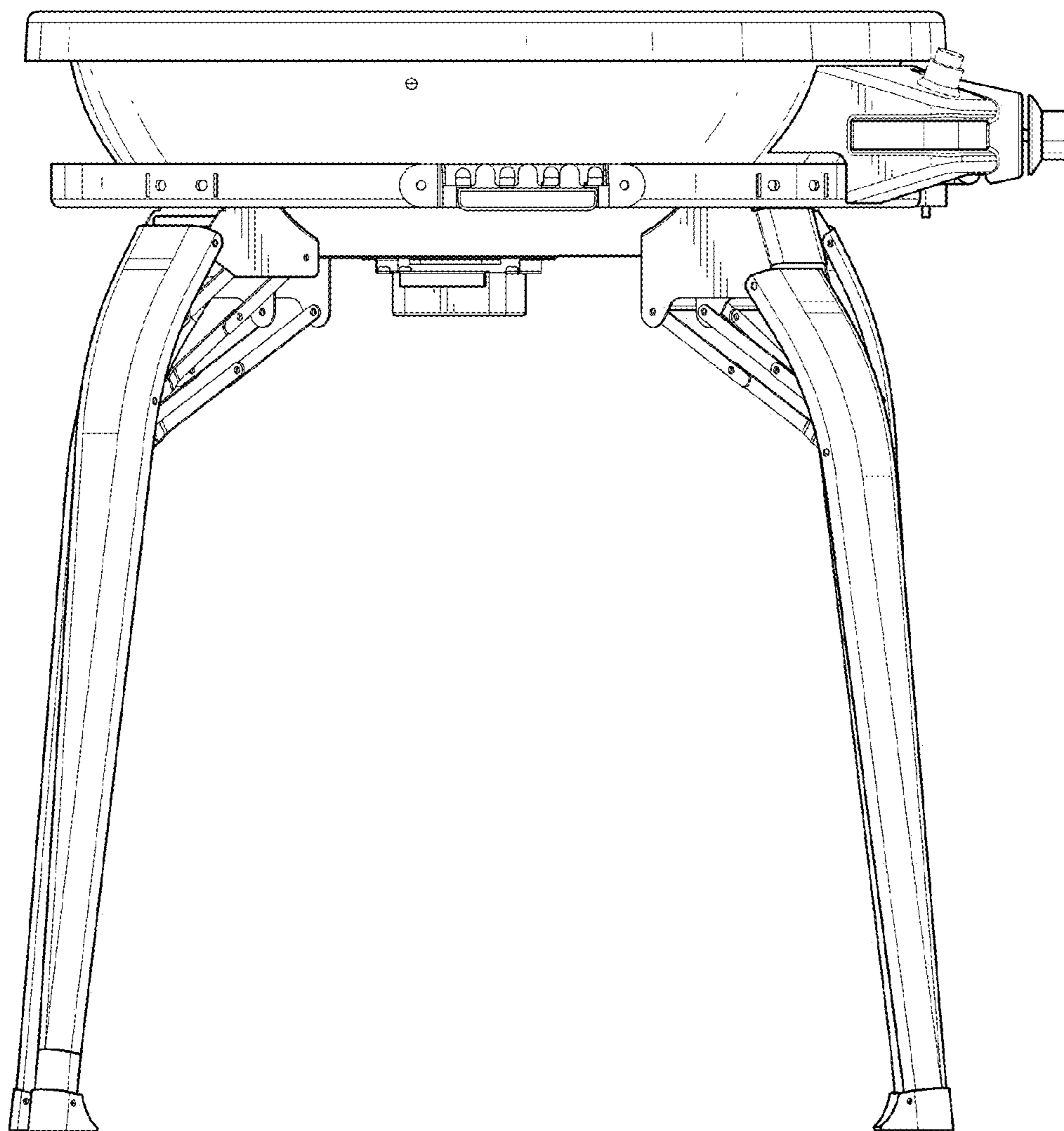


FIG. 5

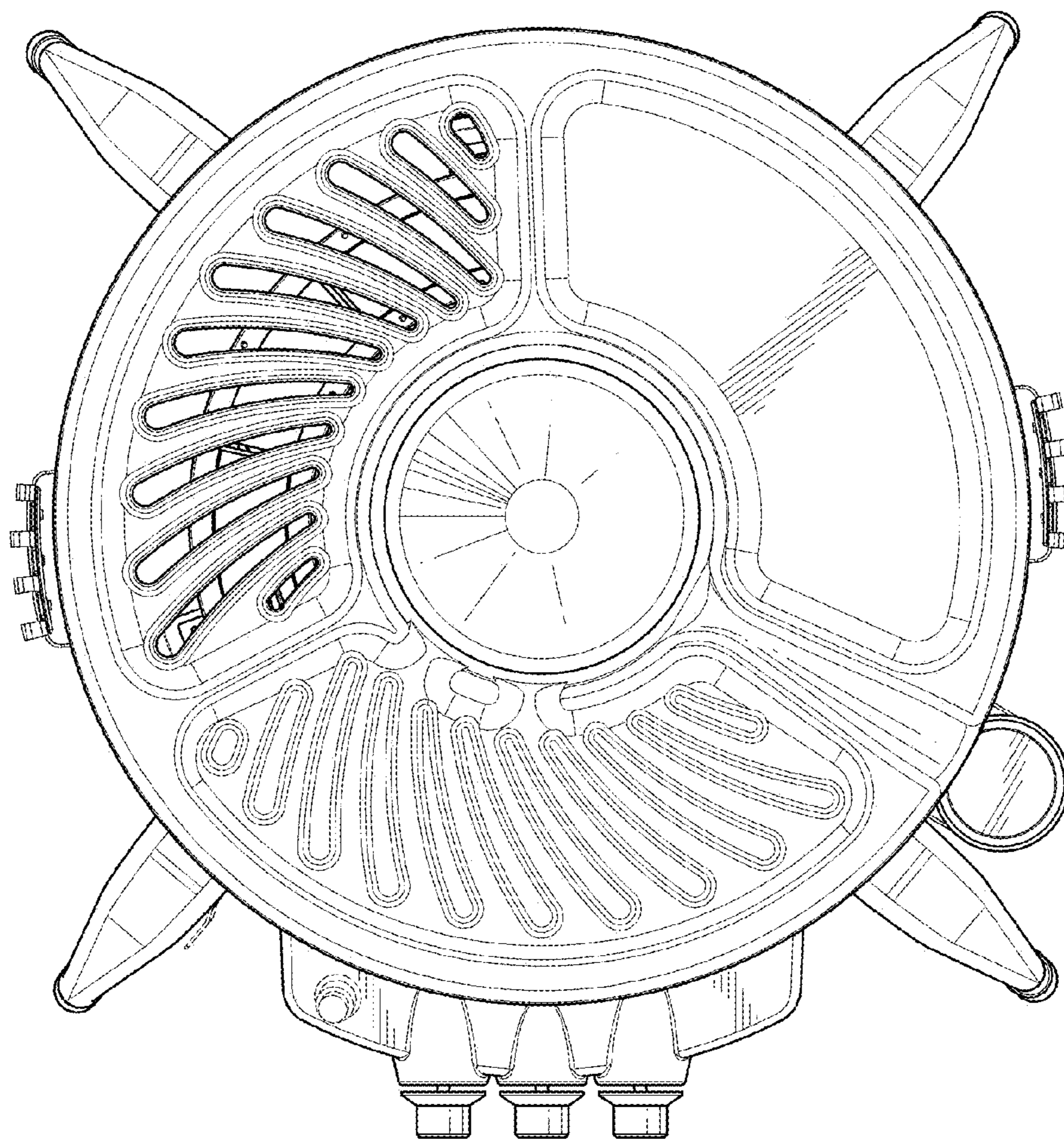


FIG. 6

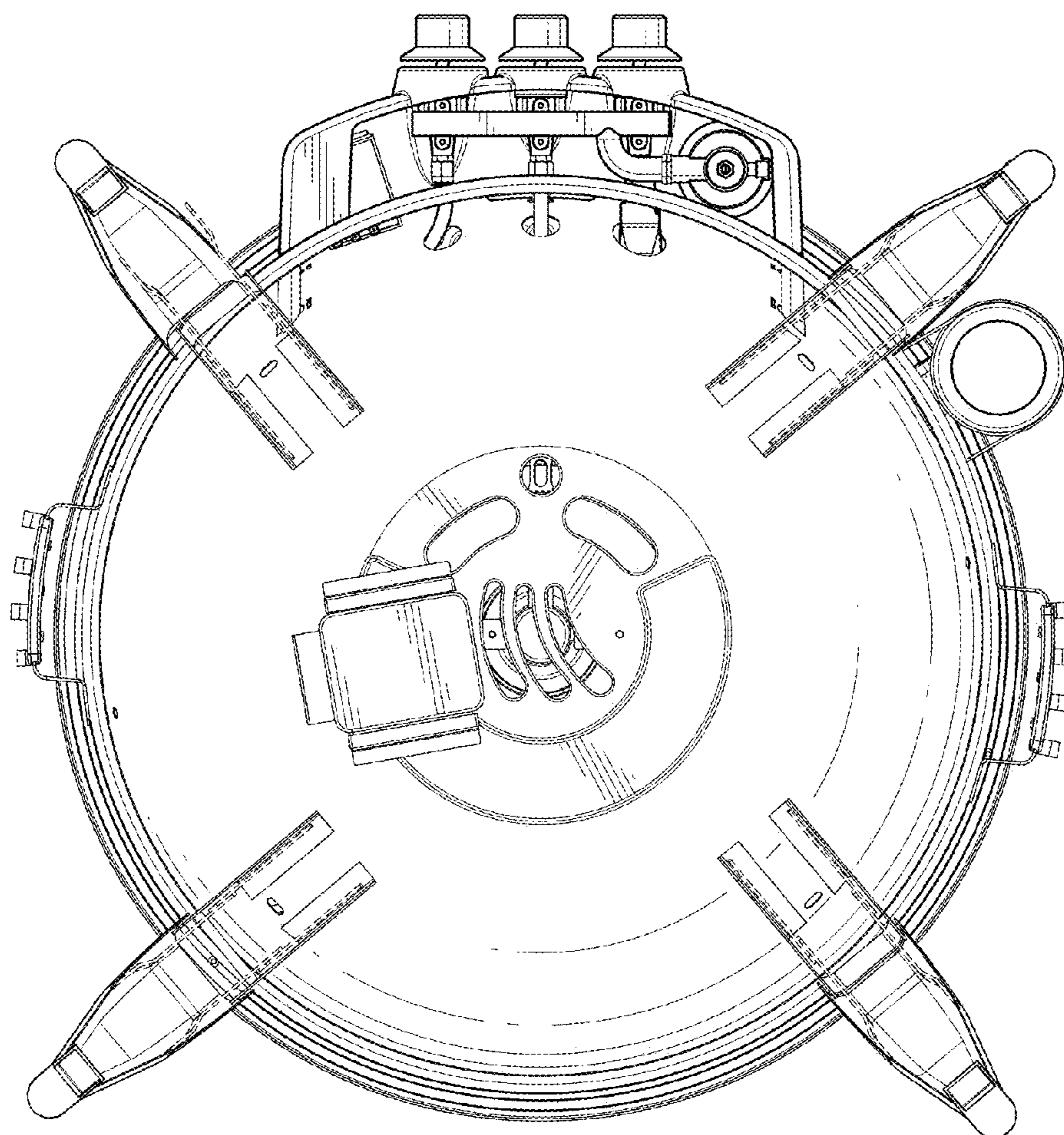


FIG. 7