



US00D686439S

(12) **United States Design Patent**  
**Glass et al.**

(10) **Patent No.:** **US D686,439 S**  
(45) **Date of Patent:** **\*\* Jul. 23, 2013**

(54) **CHAIR BUCKET**

(71) Applicant: **Virco Mfg. Corporation**, Torrance, CA (US)

(72) Inventors: **Peter Glass**, Arroyo Grande, CA (US);  
**Robert Mills**, Torrance, CA (US)

(73) Assignee: **Virco Mfg. Corporation**, Torrance, CA (US)

(\*\*) Term: **14 Years**

(21) Appl. No.: **29/435,298**

(22) Filed: **Oct. 23, 2012**

(51) **LOC (9) Cl.** ..... **06-06**

(52) **U.S. Cl.**  
USPC ..... **D6/716**

(58) **Field of Classification Search**  
USPC ..... D6/334-336, 344-353, 360-381,  
D6/388, 403, 491-502, 692, 708, 716,  
716.2-716.4; 297/16.1, 22, 31, 35, 217.1,  
297/228.12, 248, 256.16, 271.6, 284.4-284.5,  
297/291, 297, 302.4, 411.2, 411.27-411.29,  
297/411.43, 423.1, 423.12, 440.11, 440.15,  
297/440.21-440.24, 448.1, 451.4, 452.13,  
297/452.19, 452.21, 452.27, 452.29, 452.3,  
297/452.41, 452.56, 452.64

See application file for complete search history.

(56) **References Cited**

**U.S. PATENT DOCUMENTS**

D178,880 S	10/1956	Hauser	
D192,559 S *	4/1962	Chapman	D6/375
D200,640 S	3/1965	Yamasaki	
D236,670 S *	9/1975	Uyeda	D6/375
5,123,702 A *	6/1992	Caruso	297/440.21
D333,044 S *	2/1993	Caruso	D6/373
D409,407 S *	5/1999	Wang	D6/375
D426,973 S *	6/2000	Risdall	D6/375
D427,444 S *	7/2000	Risdall	D6/375

D462,536 S *	9/2002	Levy	D6/375
D471,729 S *	3/2003	Glass et al.	D6/375
D471,730 S *	3/2003	Schloss	D6/375
D499,260 S *	12/2004	Glass et al.	D6/375
D513,910 S	1/2006	Gehry	

(Continued)

**OTHER PUBLICATIONS**

<http://store.hermanmiller.com/Products/Chair-First-Set-of-4> (2 pages) (publication date unknown).

*Primary Examiner* — Ricky Pham

(74) *Attorney, Agent, or Firm* — Sheldon Mak & Anderson PC; Denton L. Anderson; Robert Hupe

(57) **CLAIM**

The ornamental design for a chair bucket, as shown and described.

**DESCRIPTION**

FIG. 1 is a perspective view showing our new design, the broken lines are for environmental purposes only and form no part of the claimed design;

FIG. 2 is a front view of the chair bucket illustrated in FIG. 1, the broken lines are for environmental purposes only and form no part of the claimed design;

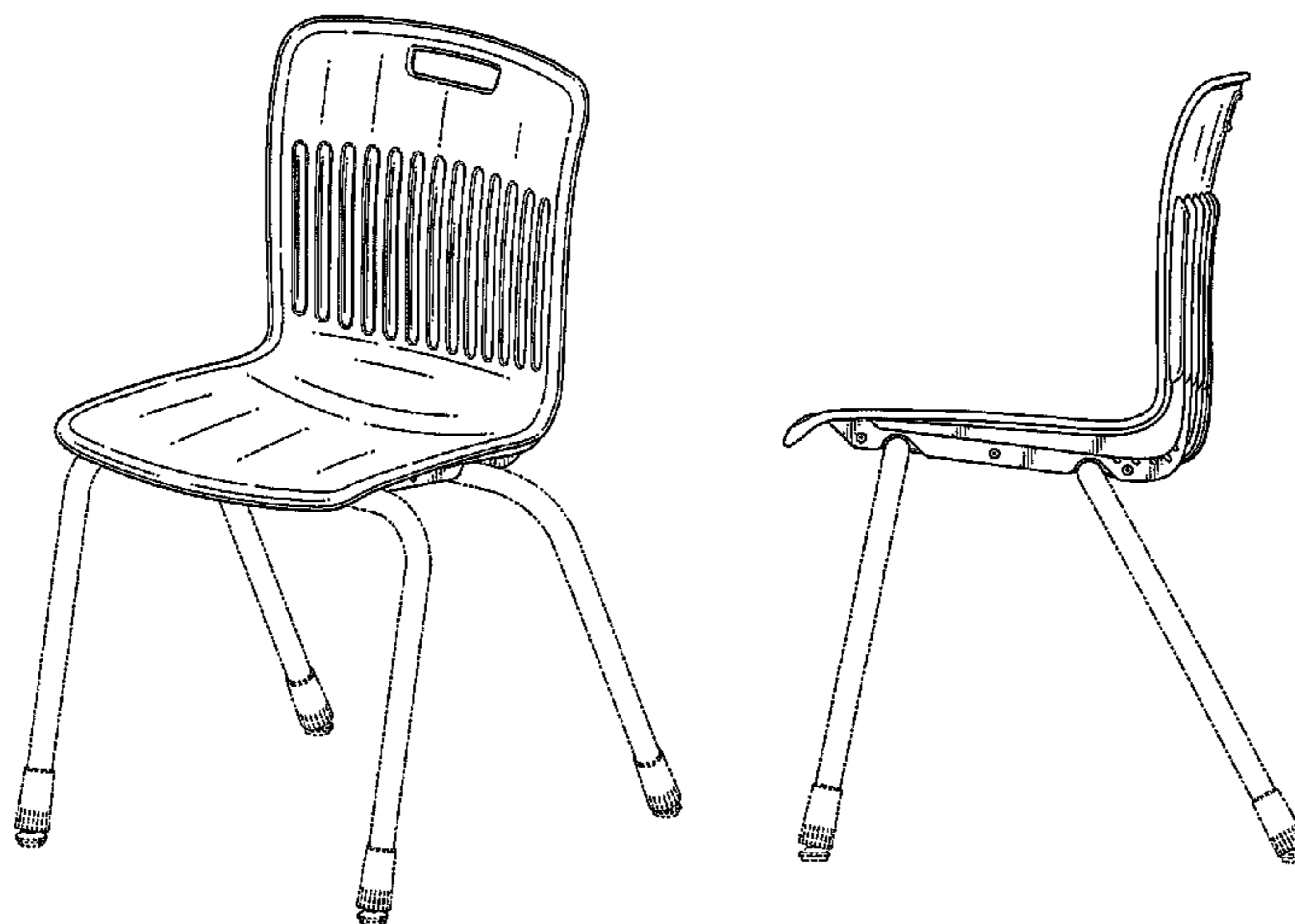
FIG. 3 is a first side view of the chair bucket illustrated in FIG. 1, the opposite side view being a mirror image of the first side view, the broken lines are for environmental purposes only and form no part of the claimed design;

FIG. 4 is a top view of the chair bucket illustrated in FIG. 1, the broken lines are for environmental purposes only and form no part of the claimed design;

FIG. 5 is a bottom view of the chair bucket illustrated in FIG. 1, the broken lines are for environmental purposes only and form no part of the claimed design; and,

FIG. 6 is a rear view of the chair bucket illustrated in FIG. 1, the broken lines are for environmental purposes only and form no part of the claimed design.

**1 Claim, 4 Drawing Sheets**



# US D686,439 S

Page 2

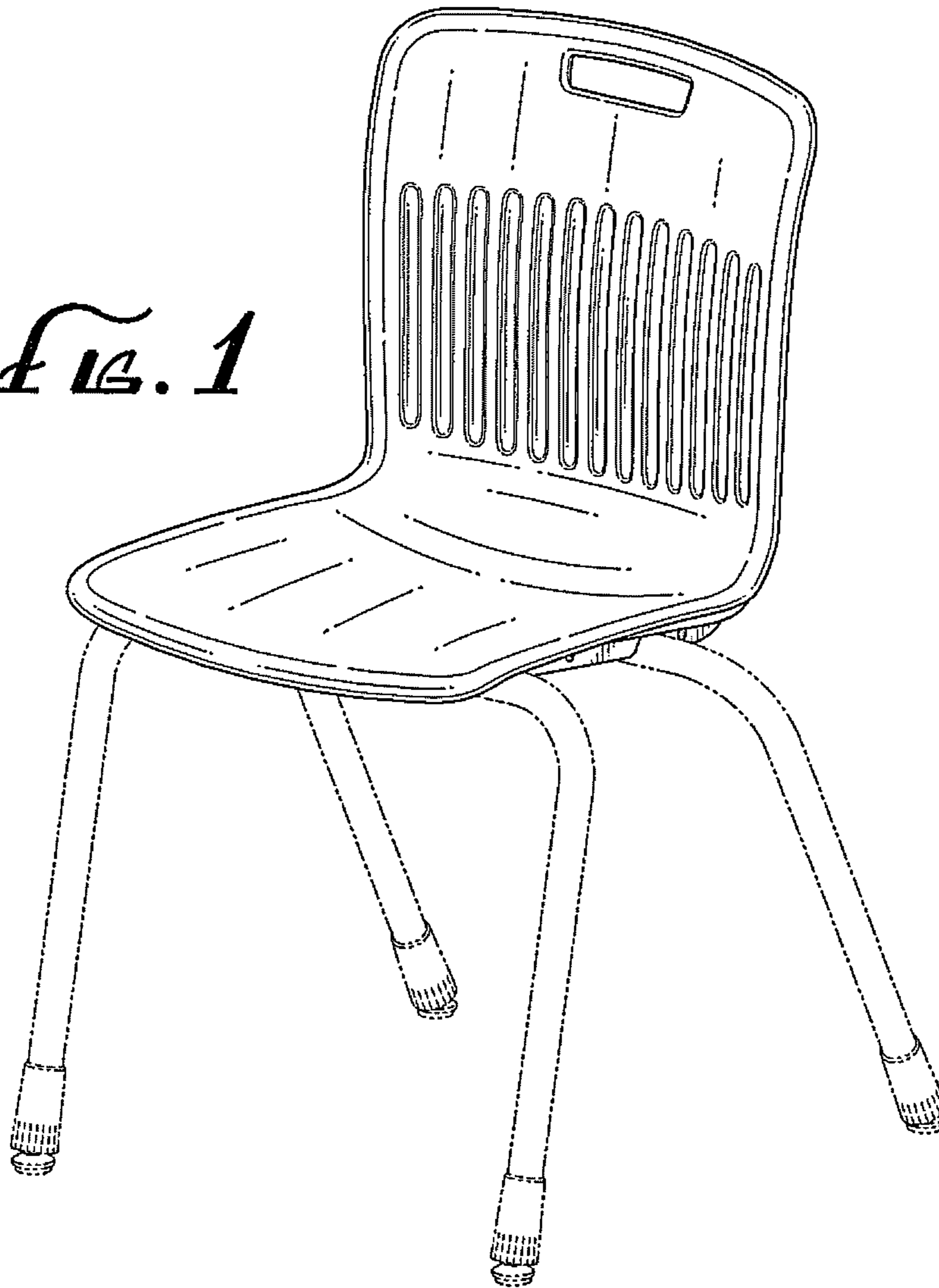
---

## U.S. PATENT DOCUMENTS

D522,265 S *	6/2006	Glass et al. ....	D6/375	D566,979 S *	4/2008	Cox et al. ....	D6/375
D544,230 S *	6/2007	Glass et al. ....	D6/375	D637,839 S *	5/2011	Piretti ....	D6/500
D546,574 S *	7/2007	Kaloustian ....	D6/374	D649,804 S *	12/2011	Keller et al. ....	D6/376
D547,979 S *	8/2007	Glass et al. ....	D6/500	D665,593 S *	8/2012	Morrison ....	D6/375
D547,980 S *	8/2007	Glass et al. ....	D6/500	D669,701 S *	10/2012	Starck ....	D6/375
D549,018 S *	8/2007	Glass et al. ....	D6/500	D670,099 S *	11/2012	Olivares ....	D6/375
D555,379 S *	11/2007	Ziliani ....	D6/375	2005/0012371 A1 *	1/2005	Mendenhall et al. ....	297/248
D564,768 S *	3/2008	Glass et al. ....	D6/366				

\* cited by examiner

*FIG. 1*



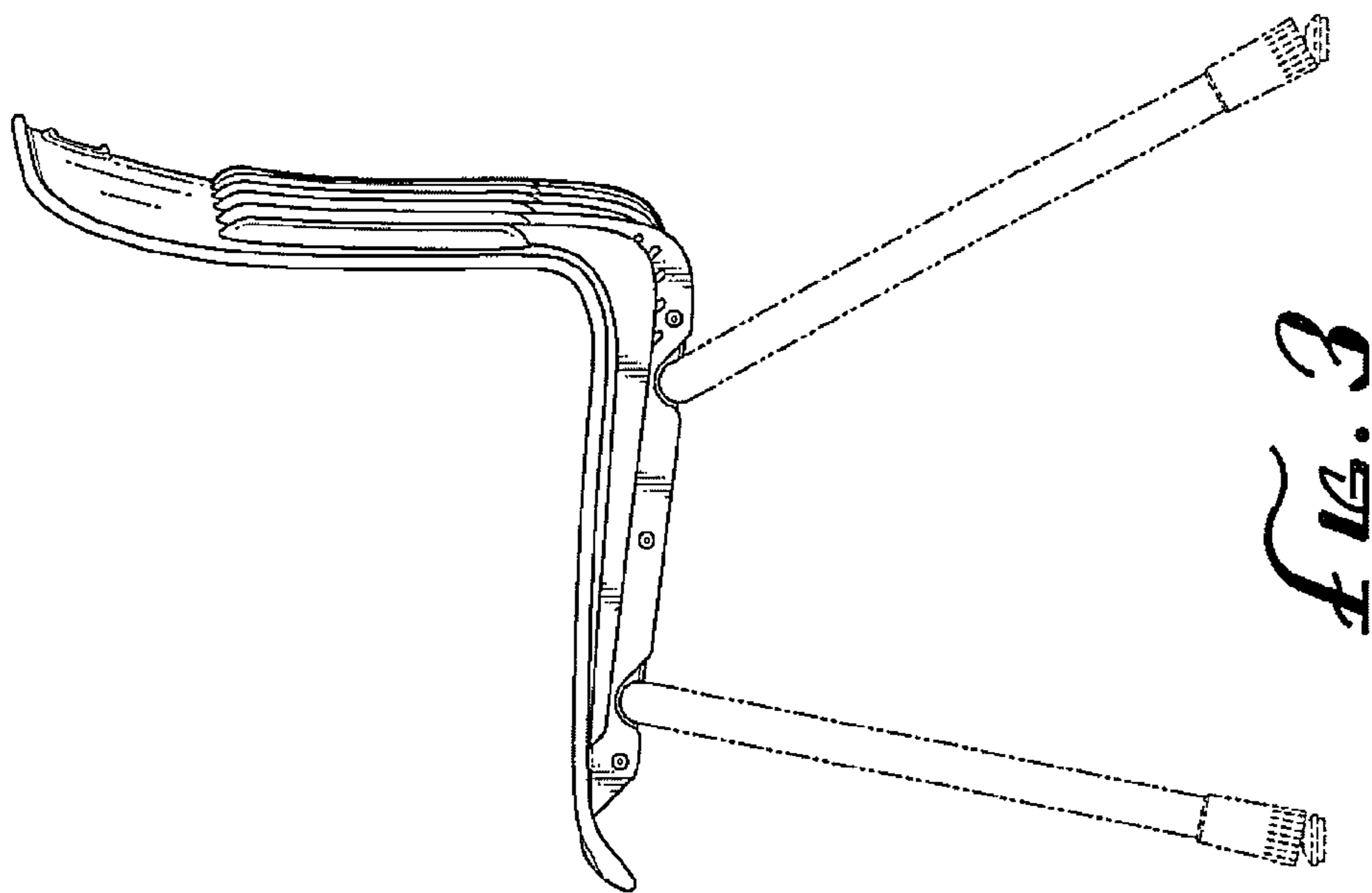


FIG. 3

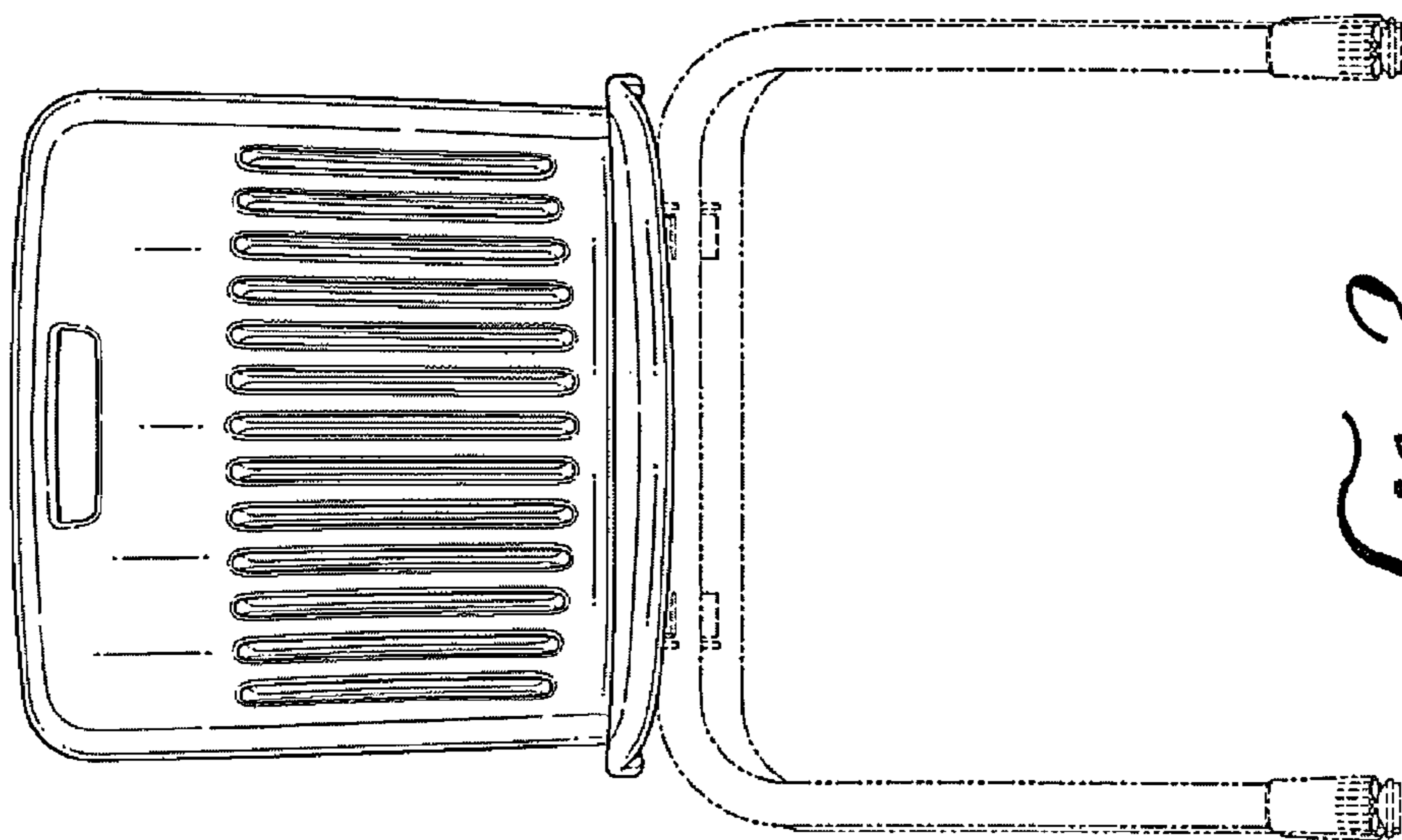
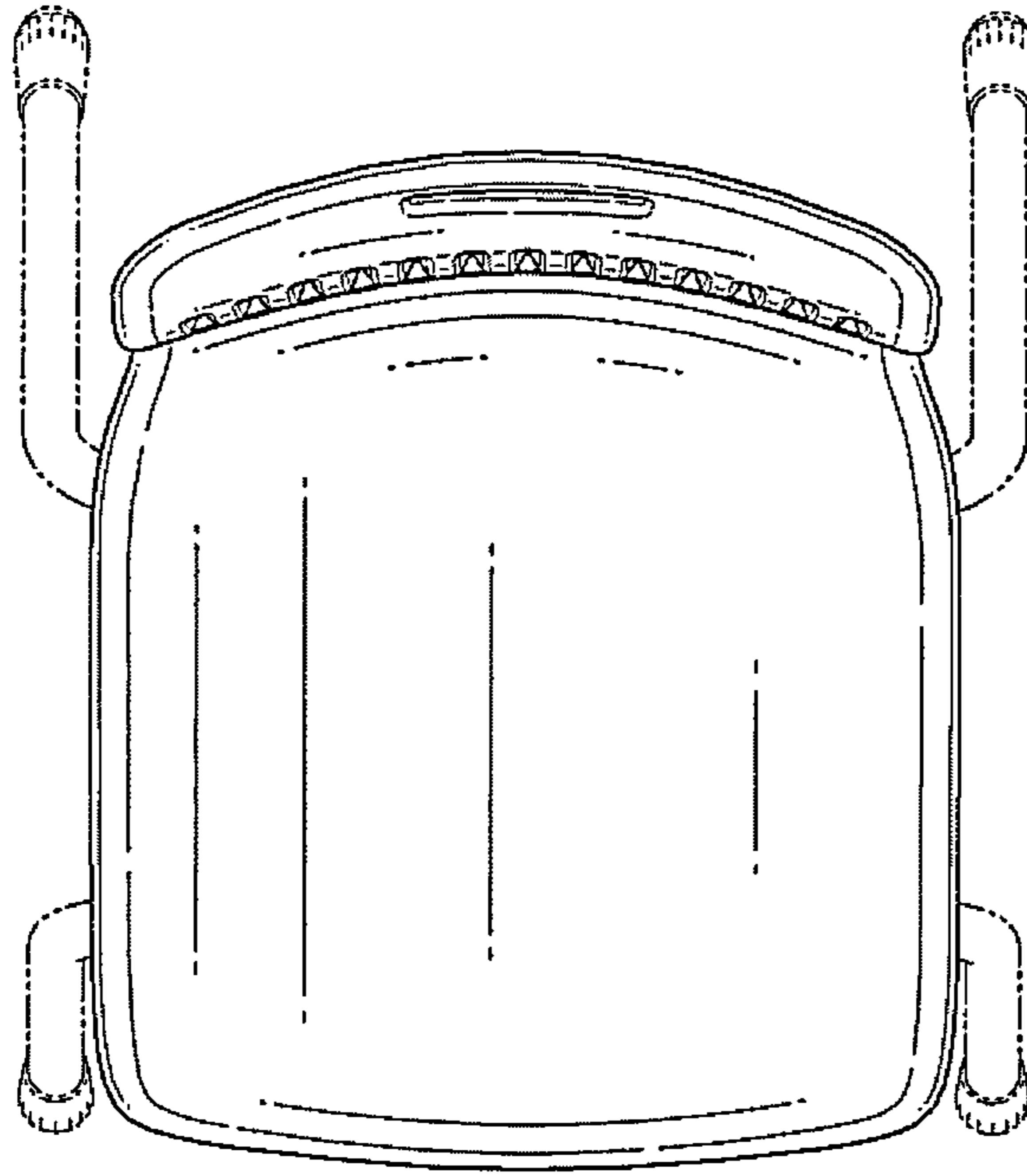
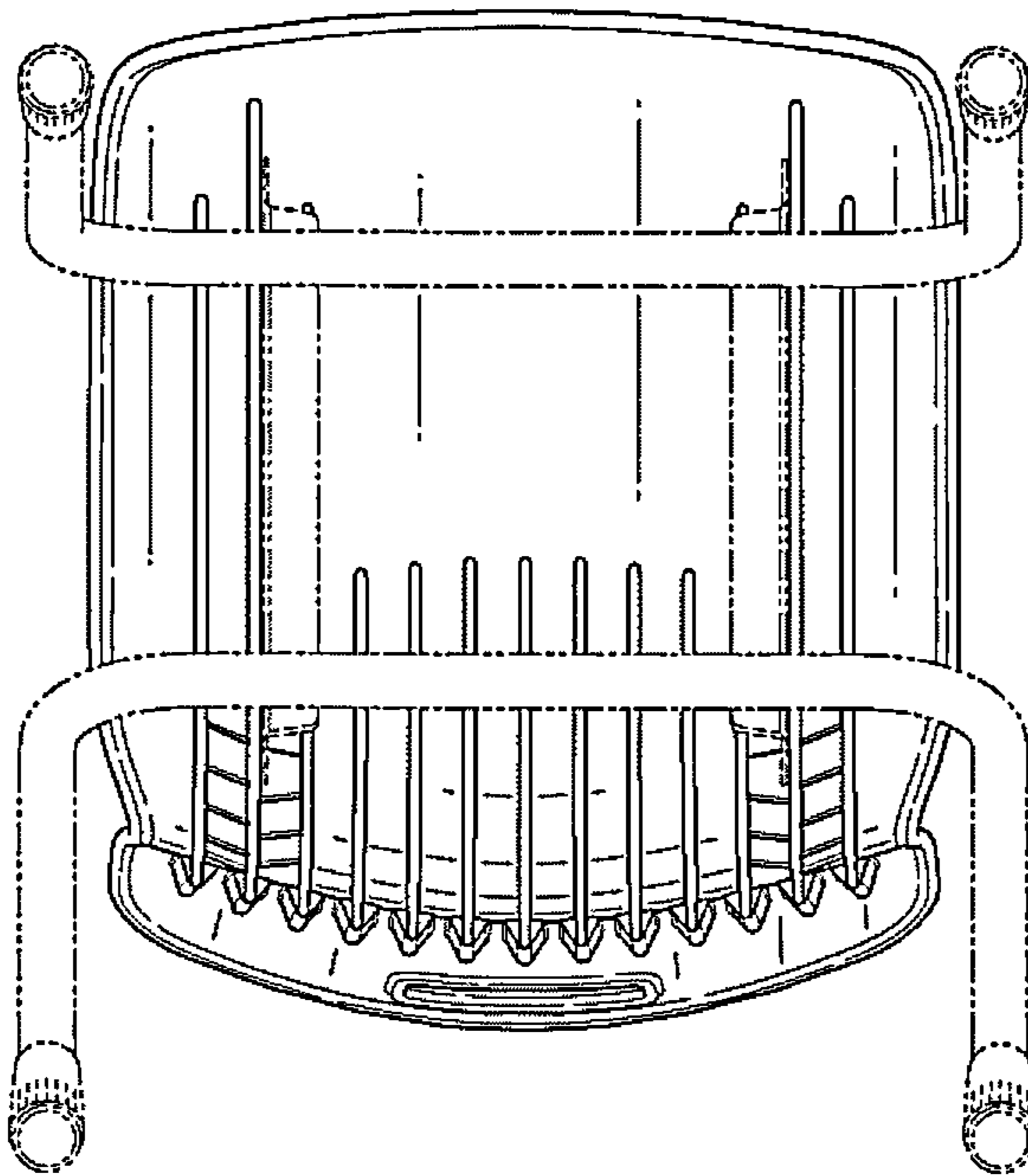


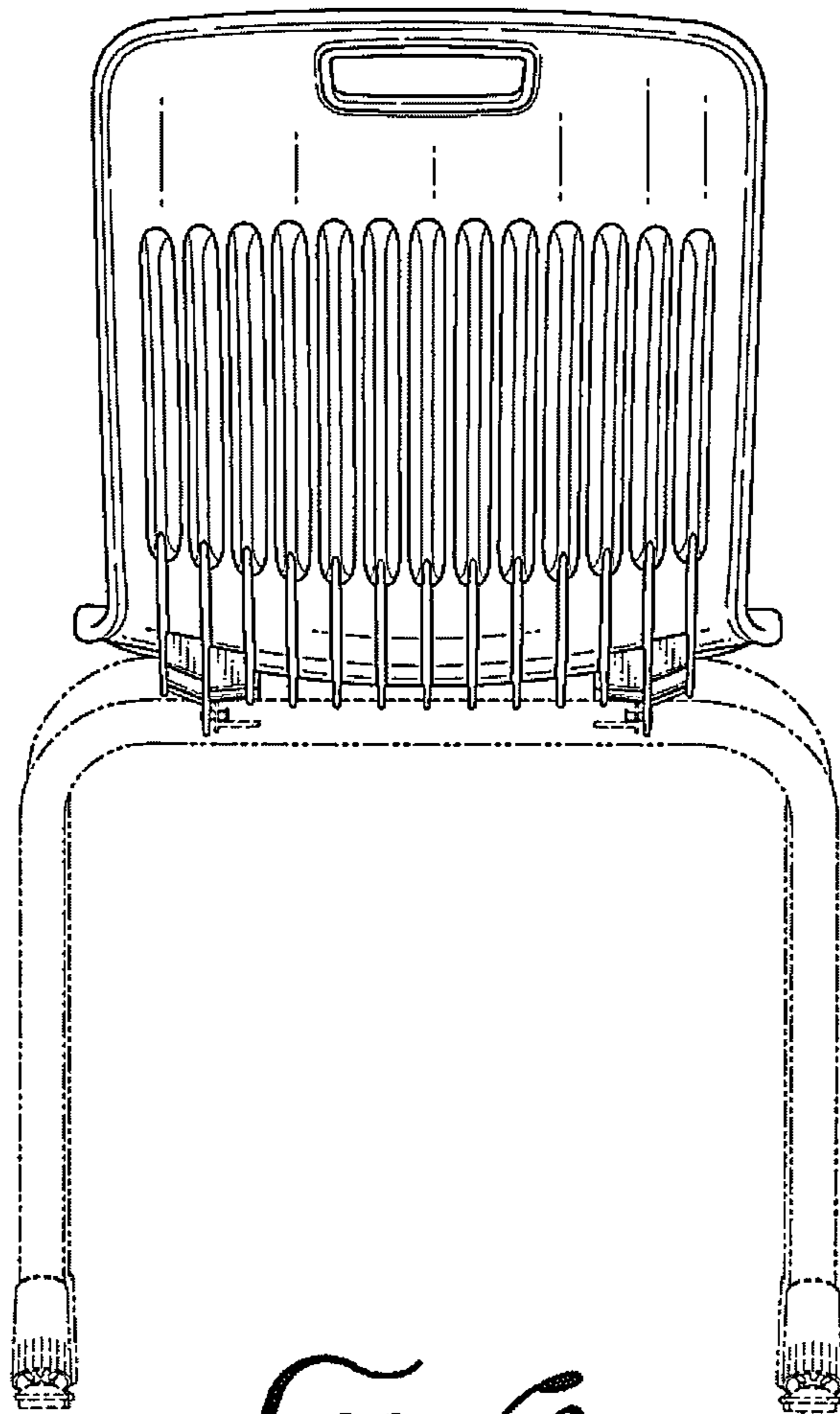
FIG. 2



*FIG. 4*



*FIG. 5*



*FIG. 6*