



US00D686438S

(12) **United States Design Patent**
Denby et al.

(10) **Patent No.:** **US D686,438 S**

(45) **Date of Patent:** **** Jul. 23, 2013**

(54) **SET OF NESTED TABLES**

(75) Inventors: **Scott Denby**, Minneapolis, MN (US);
Joseph R. Stukenberg, Minneapolis,
MN (US); **Timothy James Martell**,
Brooklyn Park, MN (US); **Daniel Joseph**
Noll, Madison, WI (US)

(73) Assignee: **Target Brands, Inc.**, Minneapolis, MN
(US)

(**) Term: **14 Years**

(21) Appl. No.: **29/424,601**

(22) Filed: **Jun. 13, 2012**

(51) **LOC (9) Cl.** **06-03**

(52) **U.S. Cl.**
USPC **D6/687; D6/691.8**

(58) **Field of Classification Search**
USPC D6/687, 691, 691.3, 691.8; 108/153.1,
108/156, 161, 91, 92; 248/188, 188.1, 188.7
See application file for complete search history.

(56) **References Cited**

U.S. PATENT DOCUMENTS

D216,715 S	3/1970	Dottinger	
D220,704 S	5/1971	Krammer	
D242,102 S	11/1976	Stirling	
D244,114 S	4/1977	Neff	
D289,478 S	4/1987	Vogtherr	
D295,593 S	5/1988	Keller	
D321,102 S	10/1991	Newhouse	
D328,677 S	8/1992	White	
D401,790 S *	12/1998	Buell	D6/484
D431,398 S *	10/2000	Luong et al.	D6/484
D443,442 S	6/2001	Hutton	

(Continued)

OTHER PUBLICATIONS

U.S. Appl. No. 29/393,746, filed Jun. 8, 2011 (13 pages).

(Continued)

Primary Examiner — Janice Seeger

(74) *Attorney, Agent, or Firm* — Griffiths & Seaton PLLC;
JoAnn M. Seaton

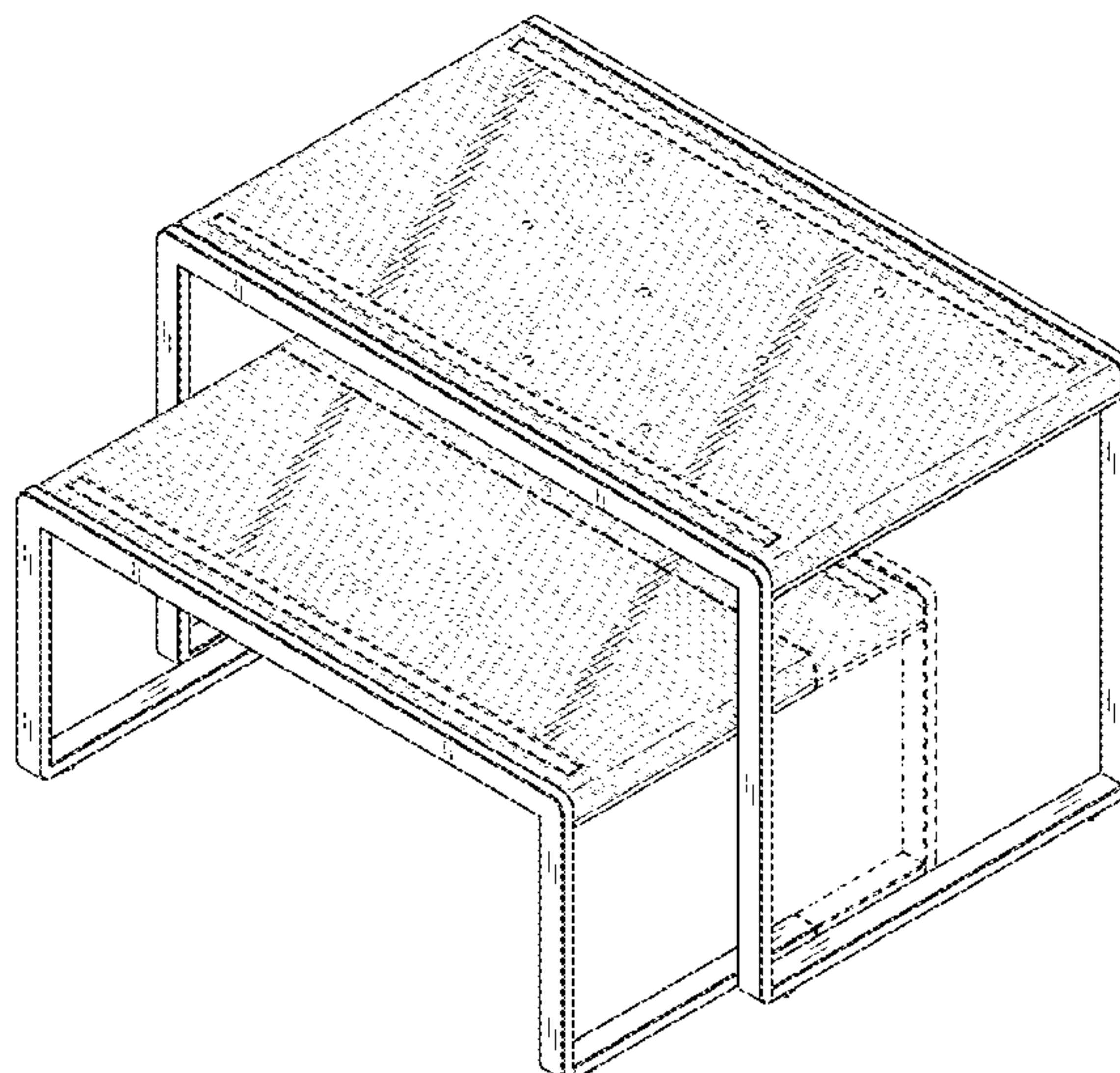
(57) **CLAIM**

The ornamental design for a set of nested tables, as shown and described.

DESCRIPTION

FIG. 1 is a front, top perspective view of a set of nested tables showing our new design;
 FIG. 2 is a front view thereof, the rear view being a mirror image thereof;
 FIG. 3 is a right side view thereof, the left side view being a mirror image thereof;
 FIG. 4 is a top view thereof; and
 FIG. 5 is a bottom view thereof.
 FIG. 6 is a front, top perspective view of a first table of the set of nested tables of FIG. 1;
 FIG. 7 is a front view thereof, the rear view being a mirror image thereof;
 FIG. 8 is a right side view thereof, the left side view being a mirror image thereof;
 FIG. 9 is a top view thereof; and
 FIG. 10 is a bottom view thereof.
 FIG. 11 is a front, top perspective view of a second table of the set of nested tables of FIG. 1;
 FIG. 12 is a front view thereof, the rear view being a mirror image thereof;
 FIG. 13 is a right side view thereof, the left side view being a mirror image thereof;
 FIG. 14 is a top view thereof; and,
 FIG. 15 is a bottom view thereof.
 The table portions and faux or real wood grained surface ornamentation shown in broken lines form no part of the claimed design.

1 Claim, 9 Drawing Sheets



US D686,438 S

Page 2

U.S. PATENT DOCUMENTS

D447,891 S * 9/2001 Wood et al. D6/480
D450,486 S 11/2001 Stafford et al.
D510,492 S 10/2005 Sakurai et al.
D525,806 S 8/2006 Lai
D558,489 S 1/2008 Christensen
D558,490 S 1/2008 Christensen
D603,627 S 11/2009 Wen
D611,733 S 3/2010 Stukenberg
D611,734 S 3/2010 Stukenberg et al.

D611,735 S 3/2010 Stukenberg
D614,889 S 5/2010 Van Duysen

OTHER PUBLICATIONS

“Modular Nesting Tables,” www.kaboodle.com/reviews/modular-nesting-tables-4, available at least as early as Jan. 21, 2008 per www.internetarchive.org (16 pages).

* cited by examiner

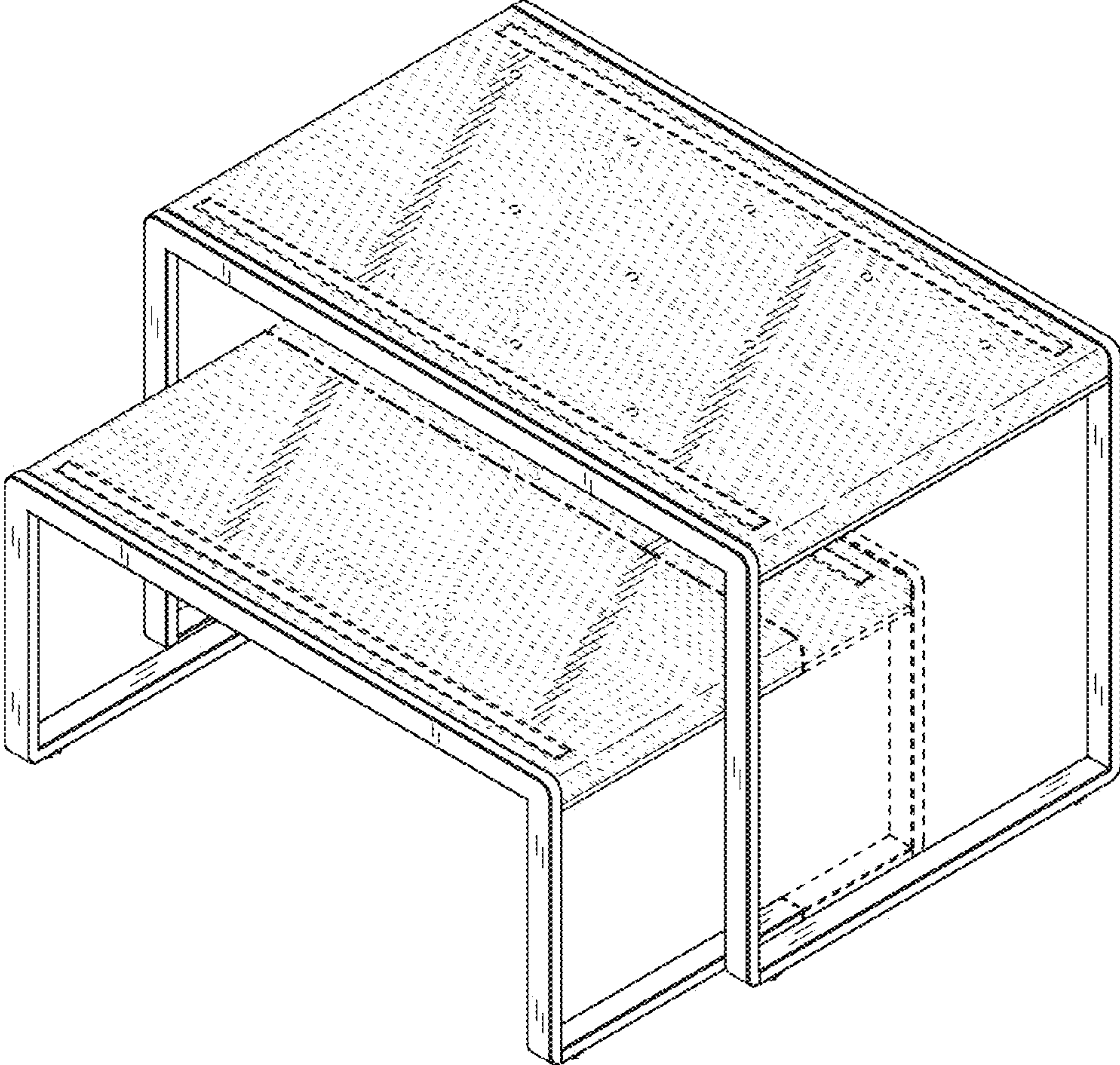


FIG. 1

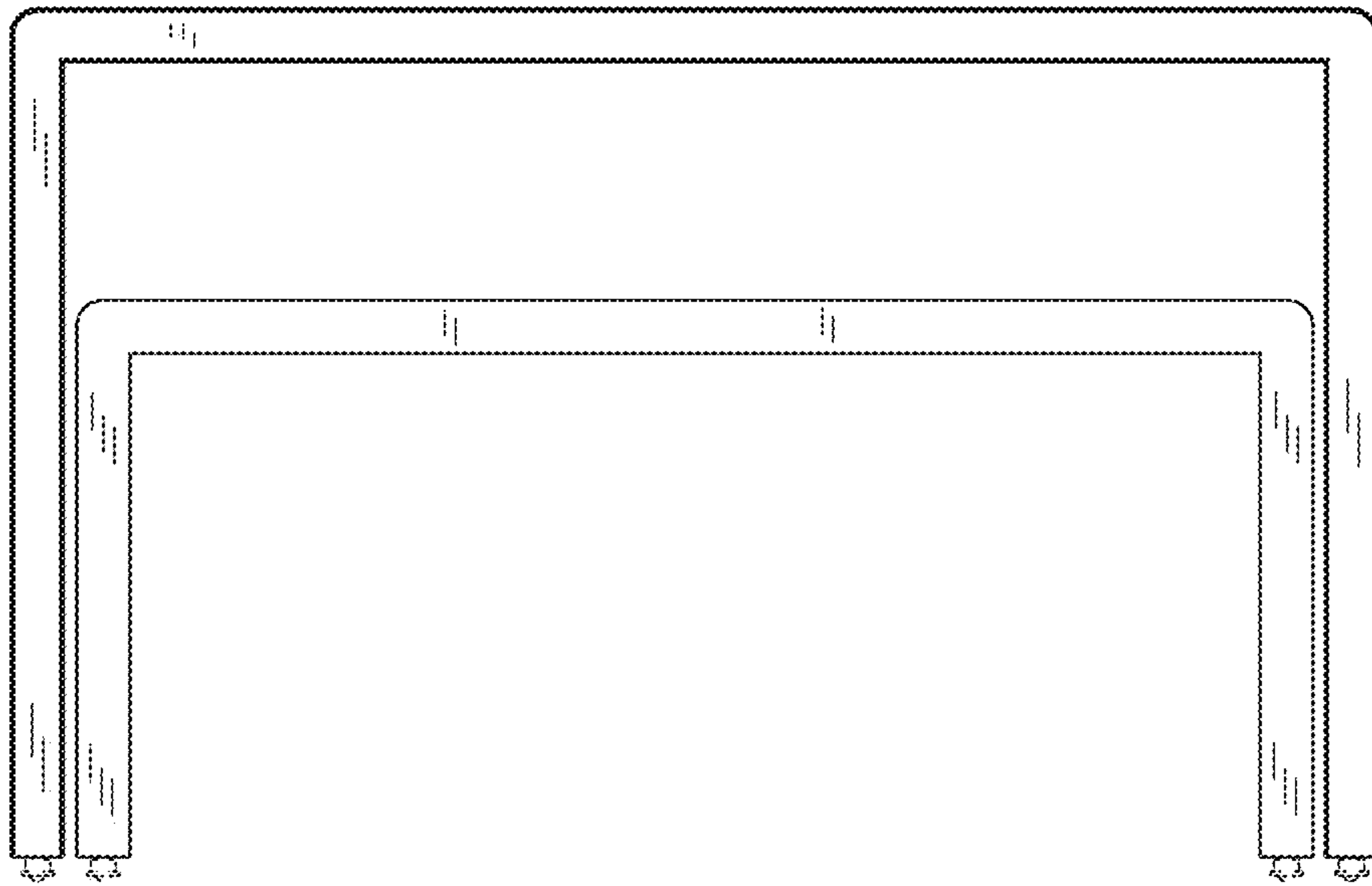


FIG. 2

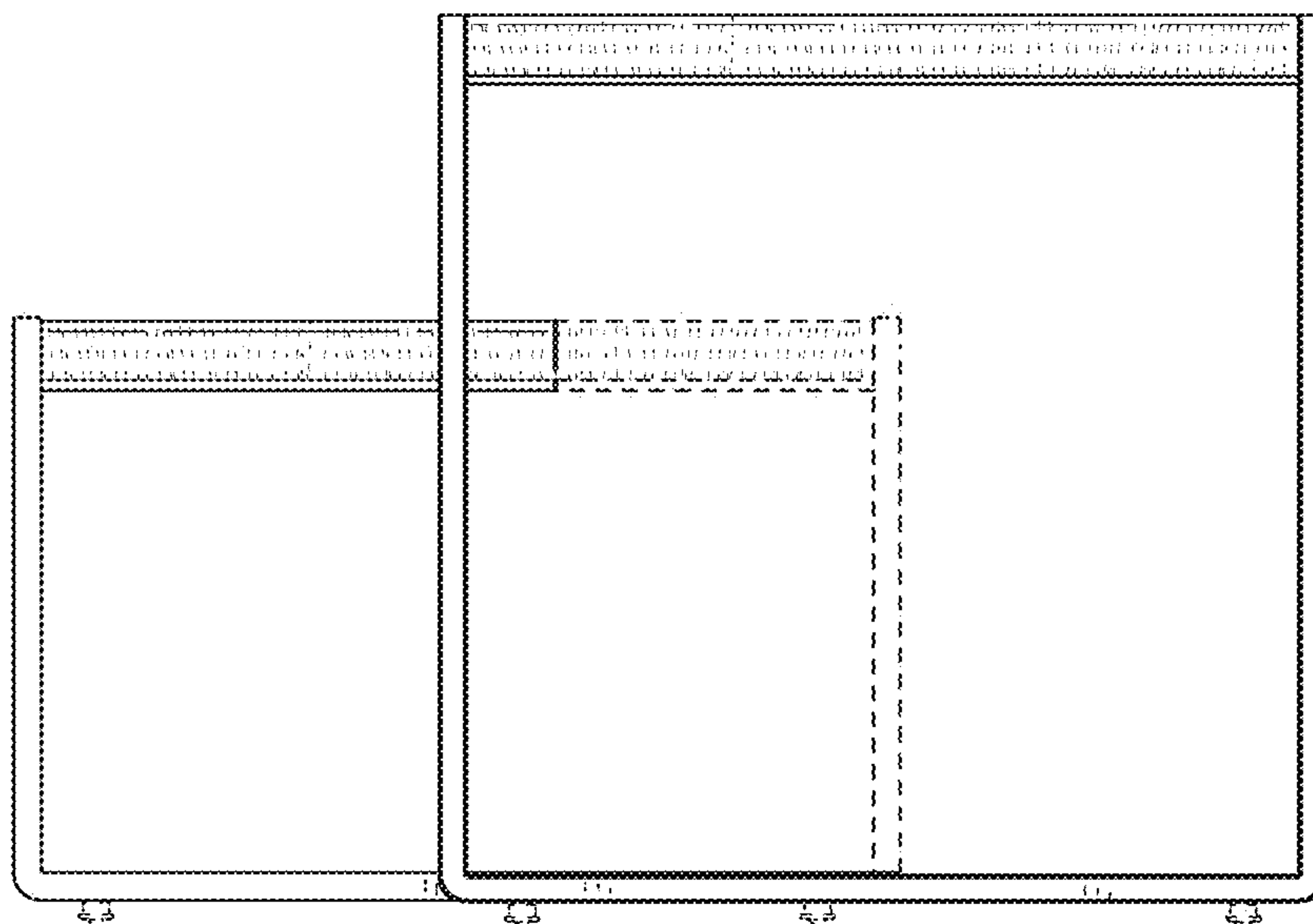


FIG. 3

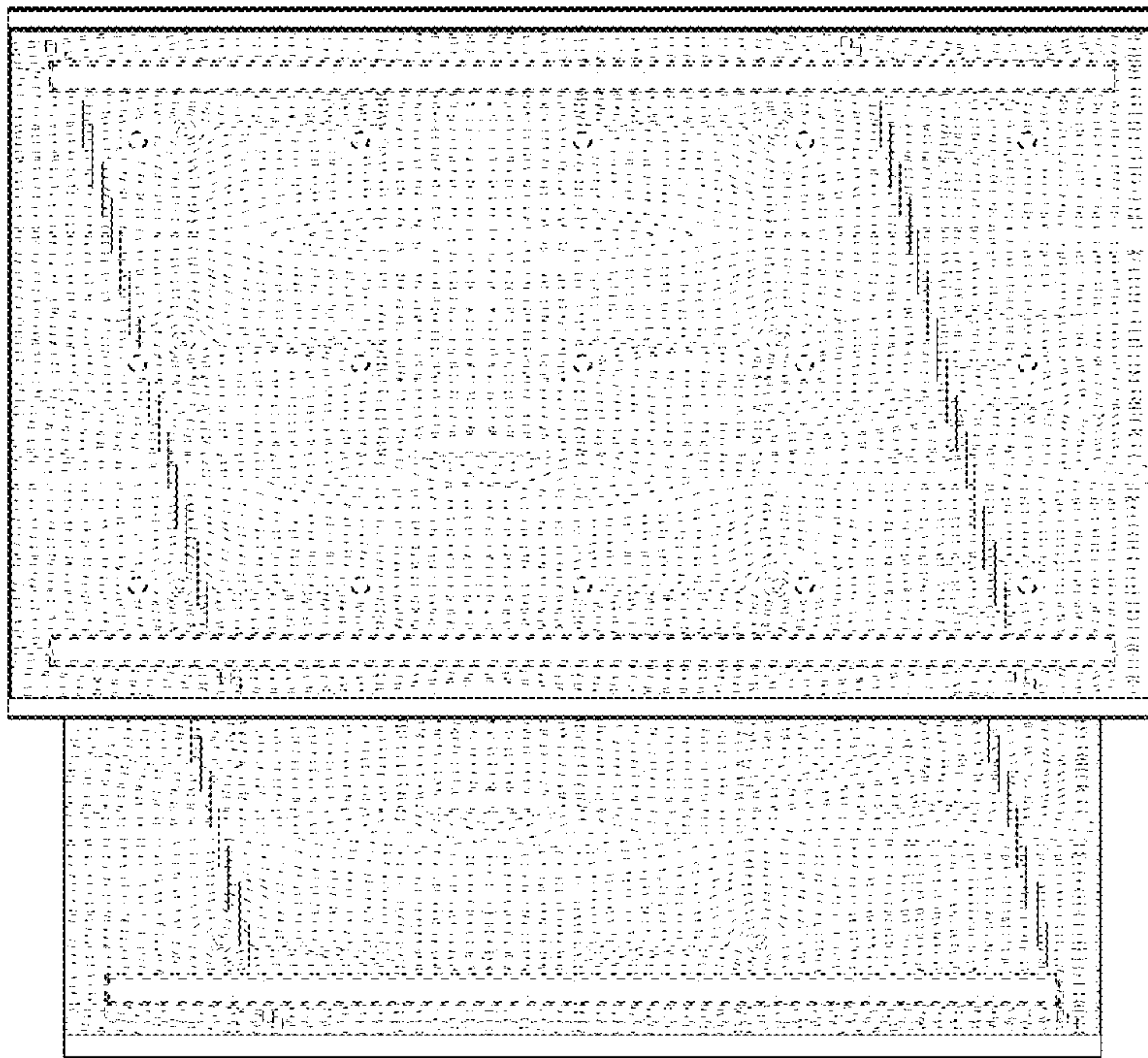


FIG. 4

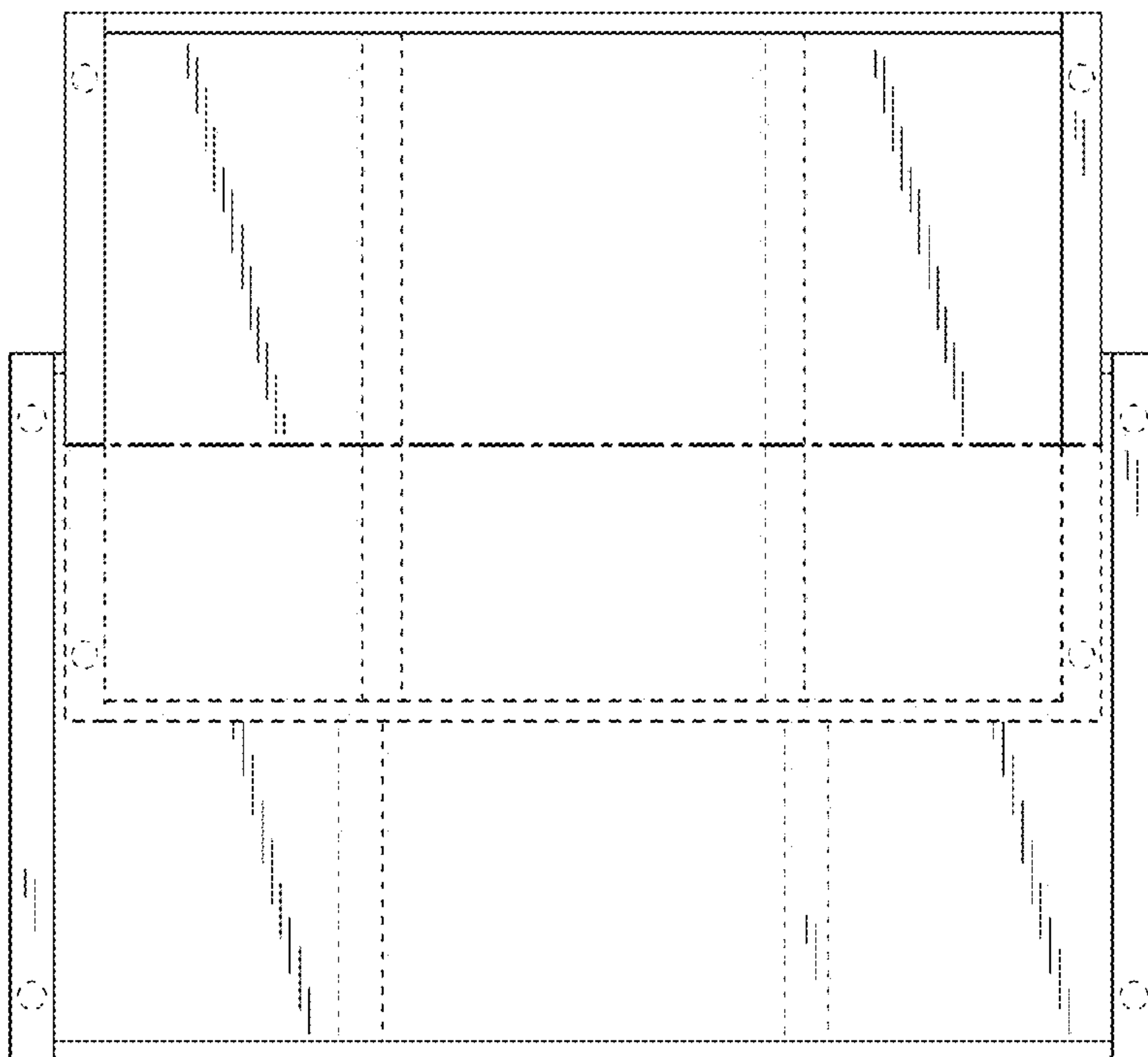


FIG. 5

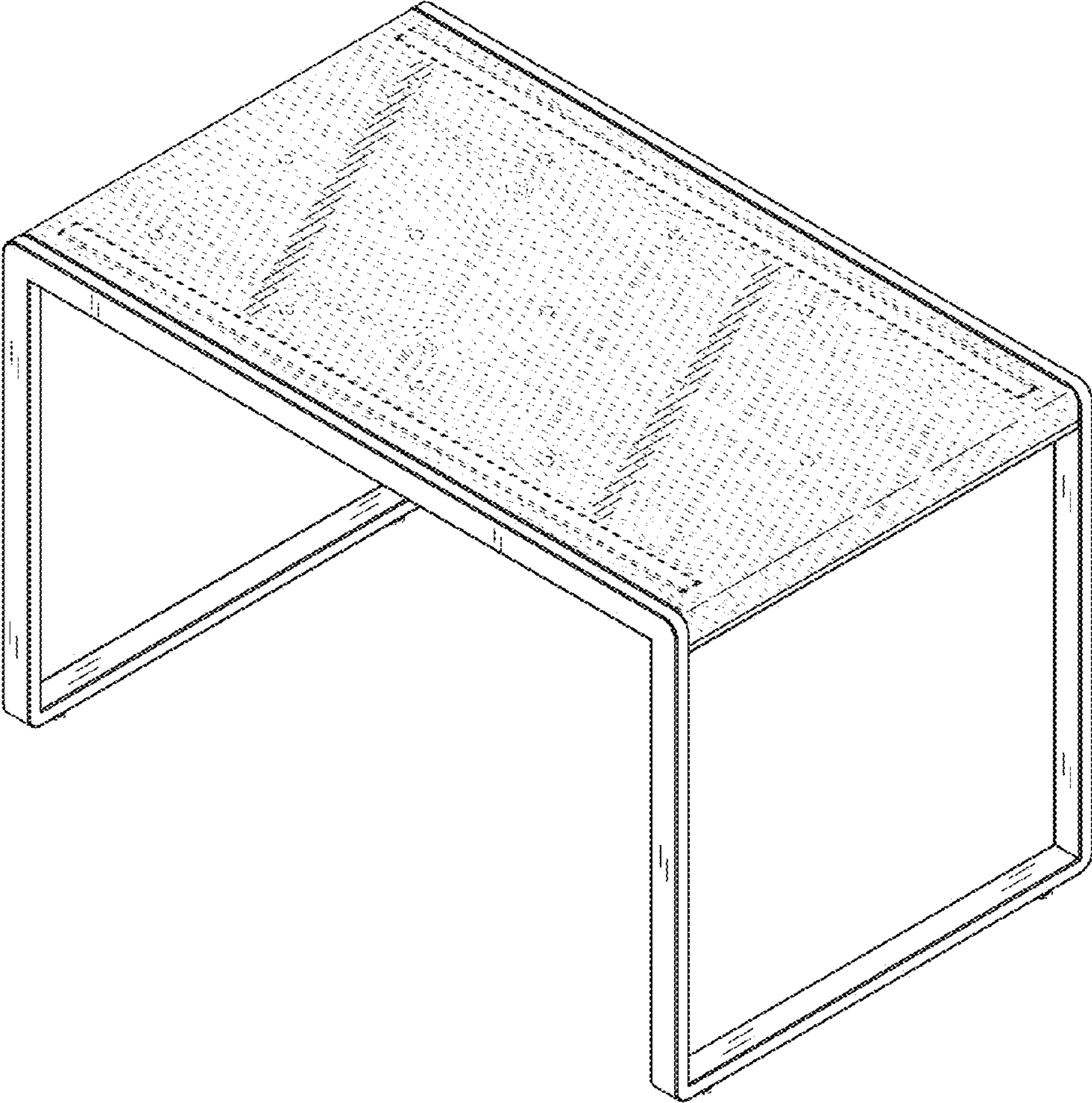


FIG. 6

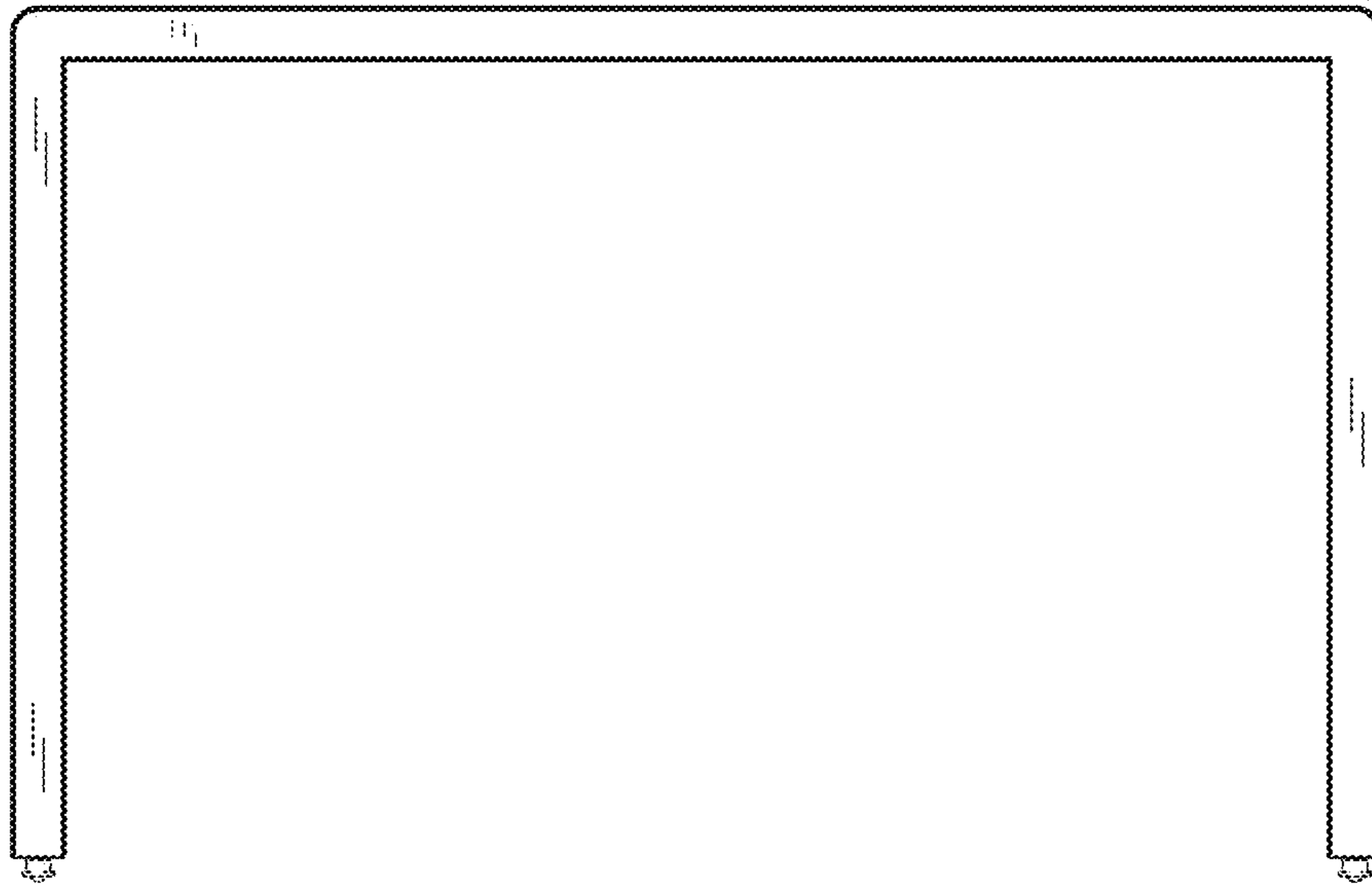


FIG. 7

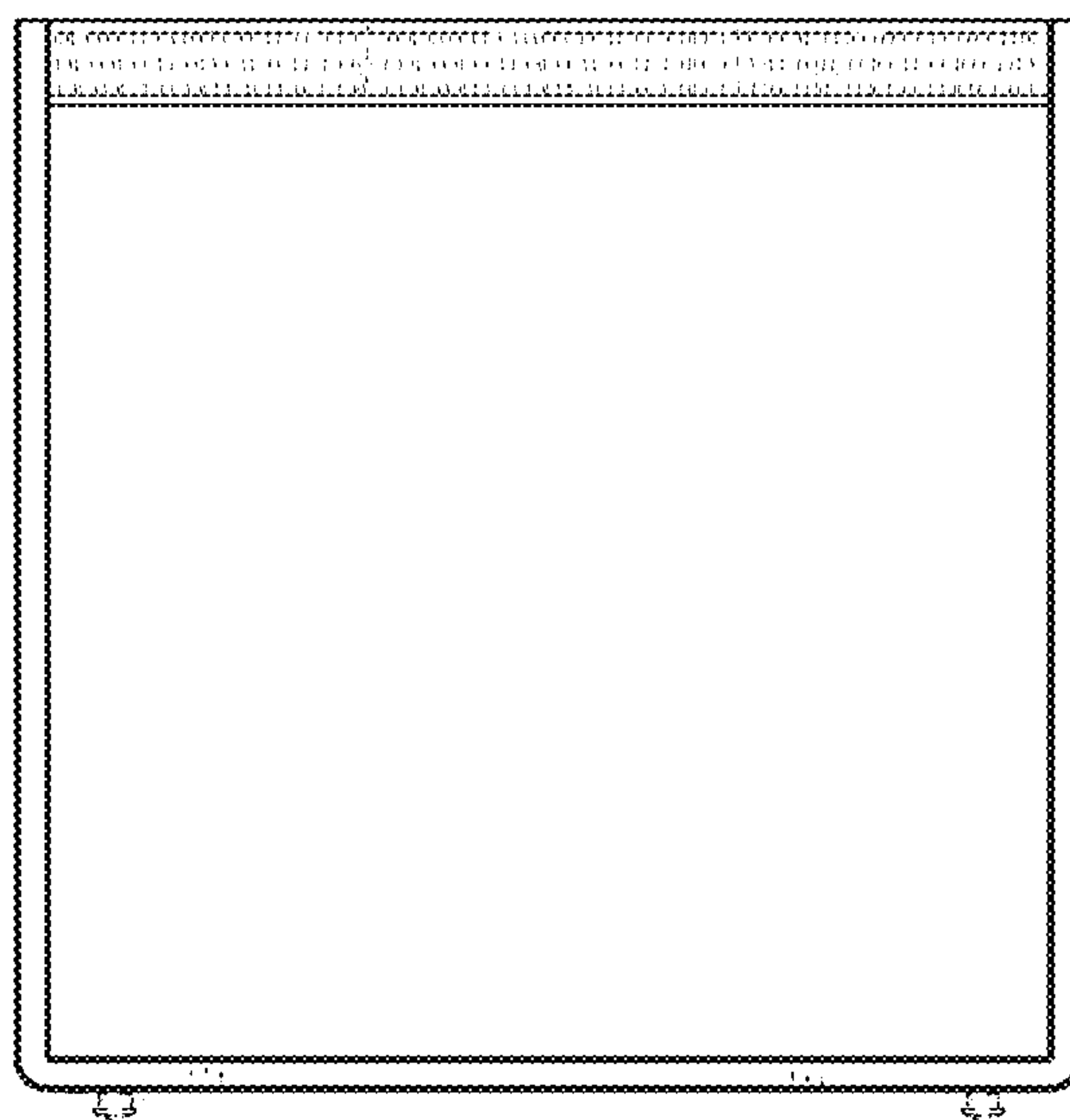


FIG. 8

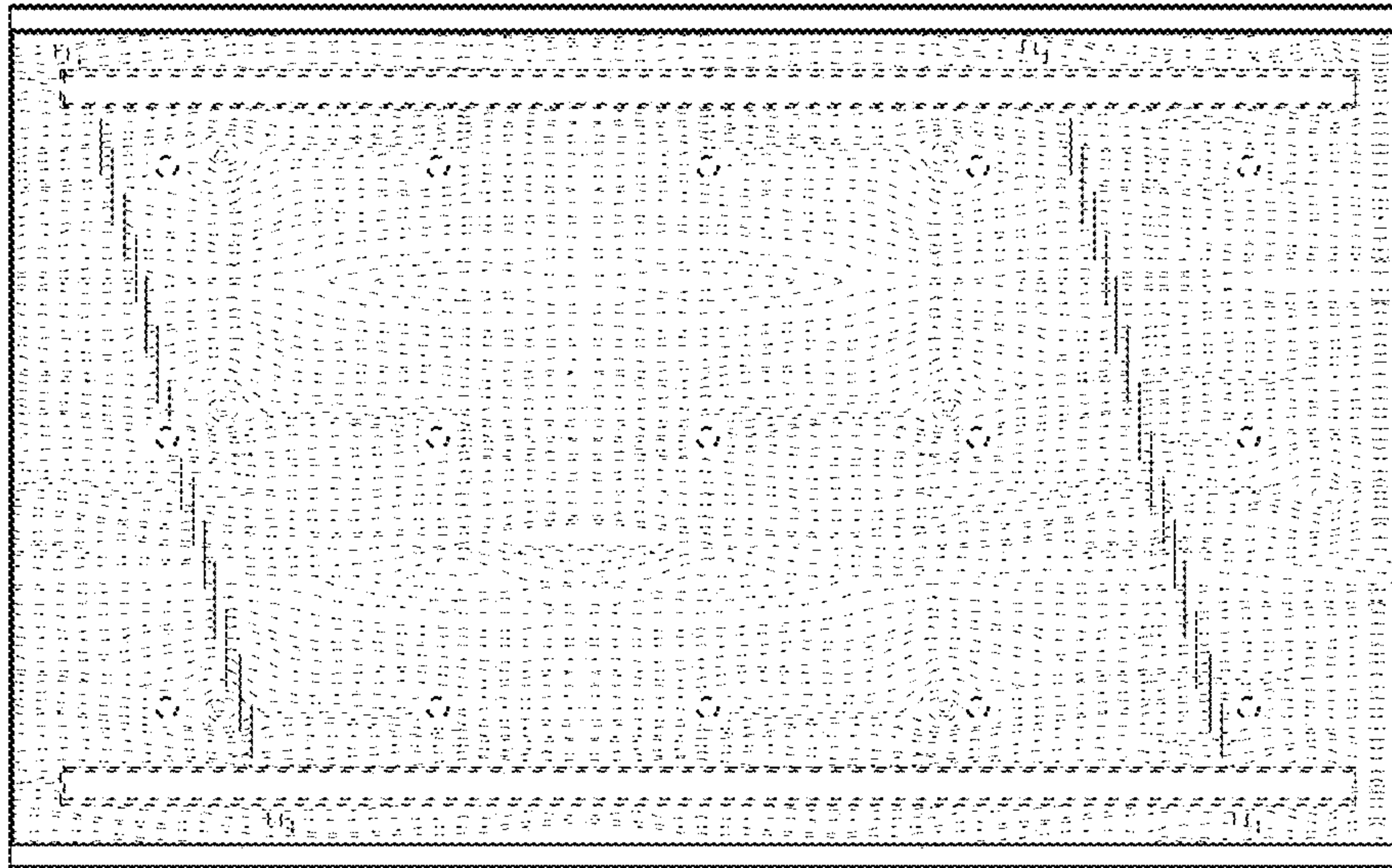


FIG. 9

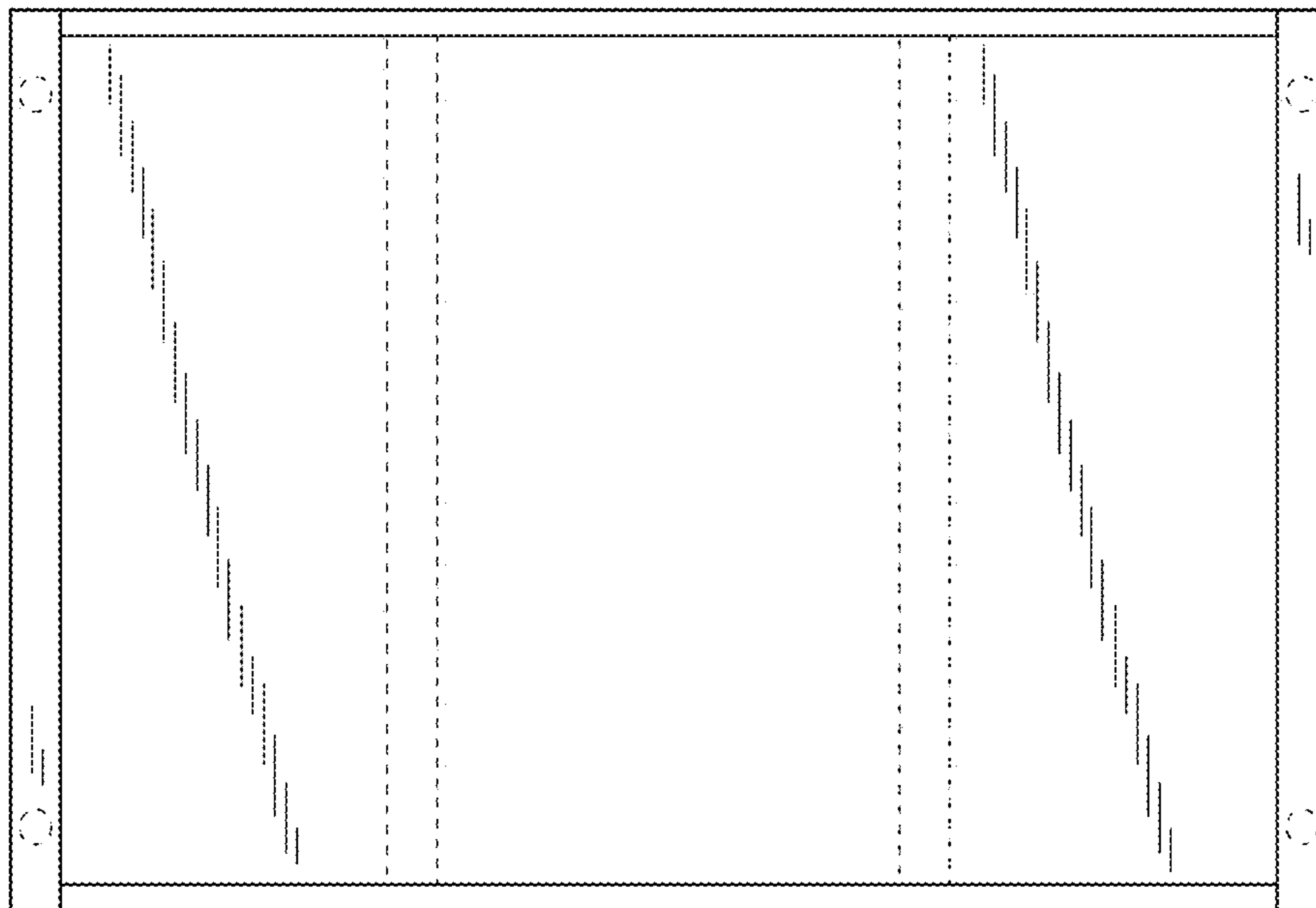


FIG. 10

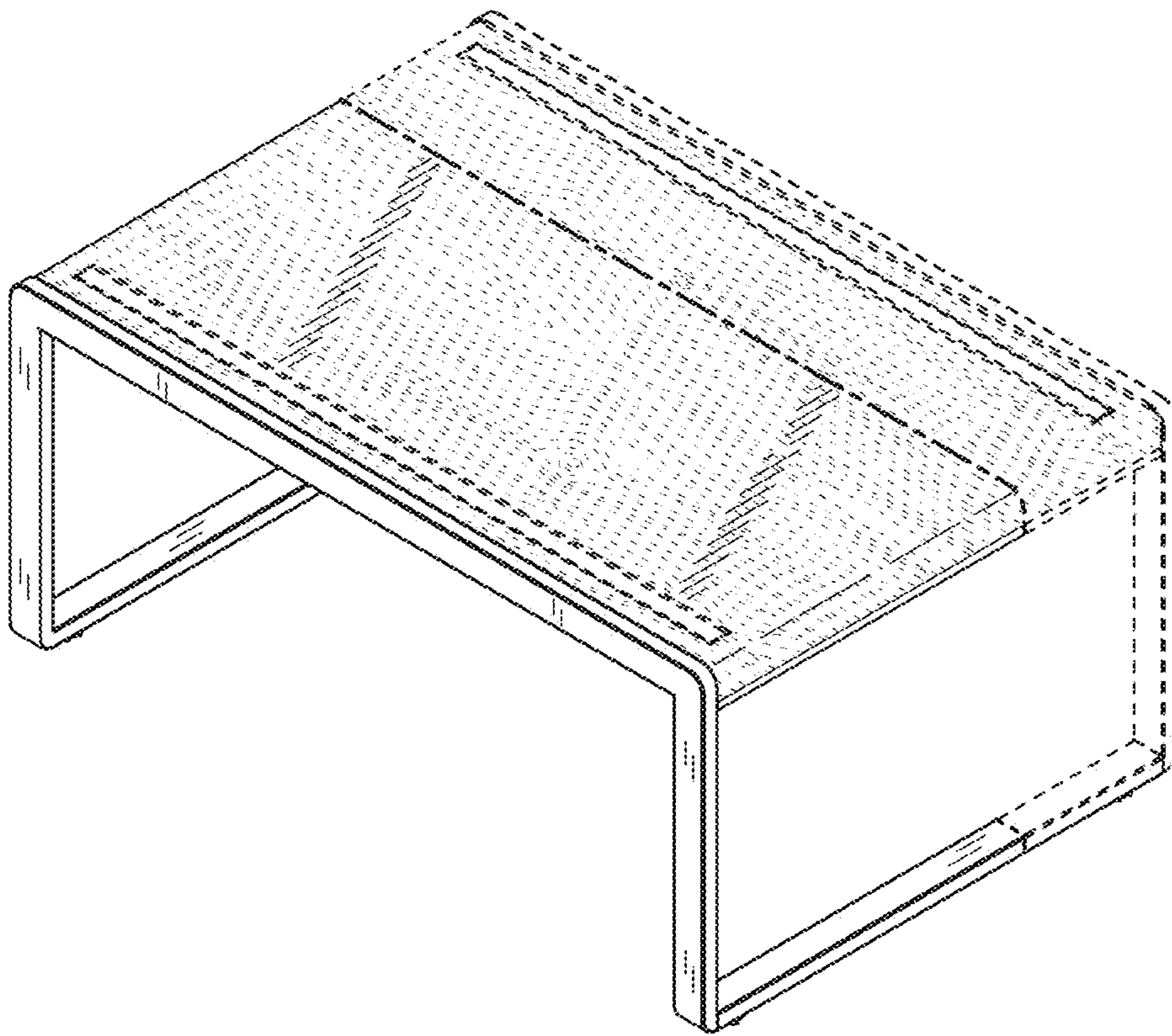


FIG. 11

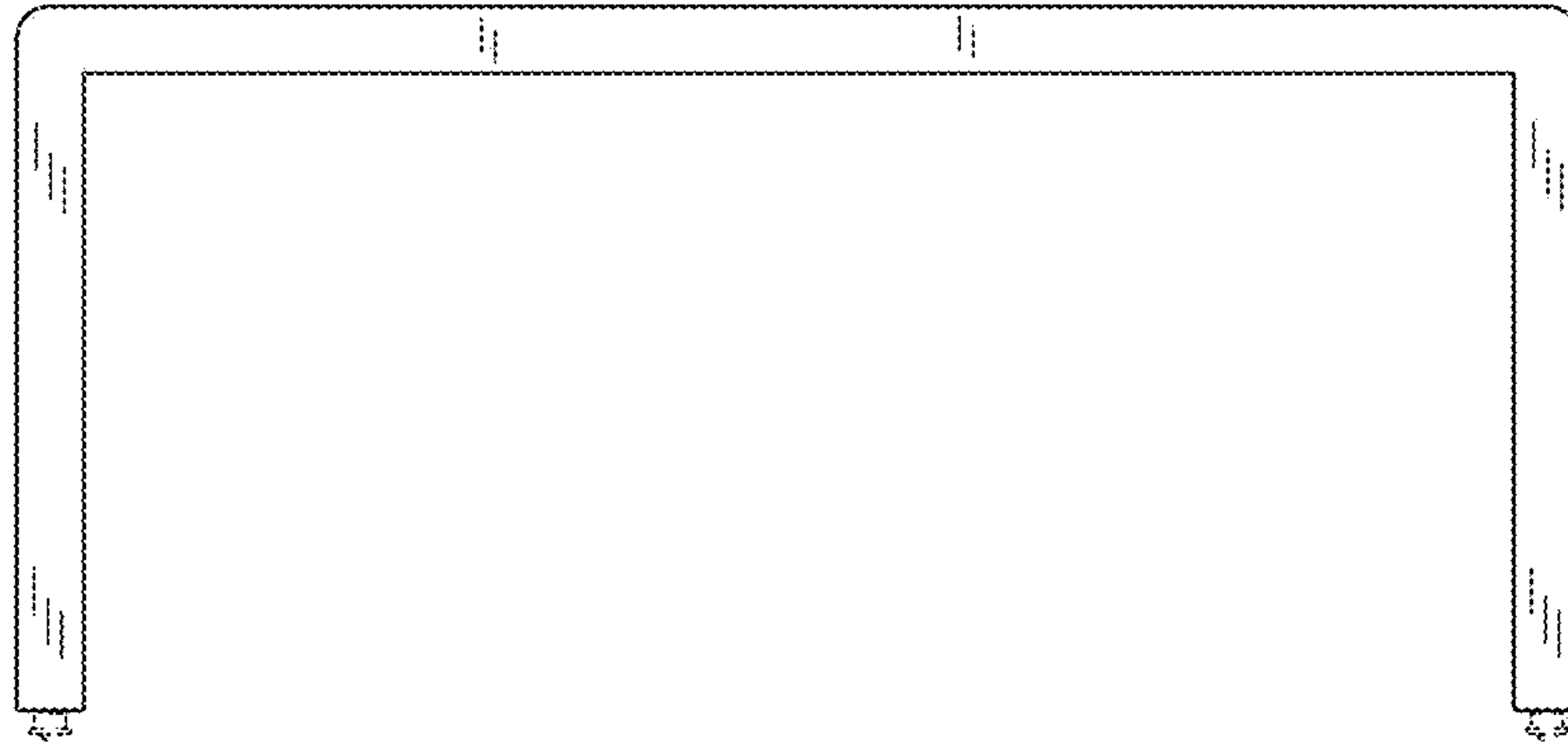


FIG. 12

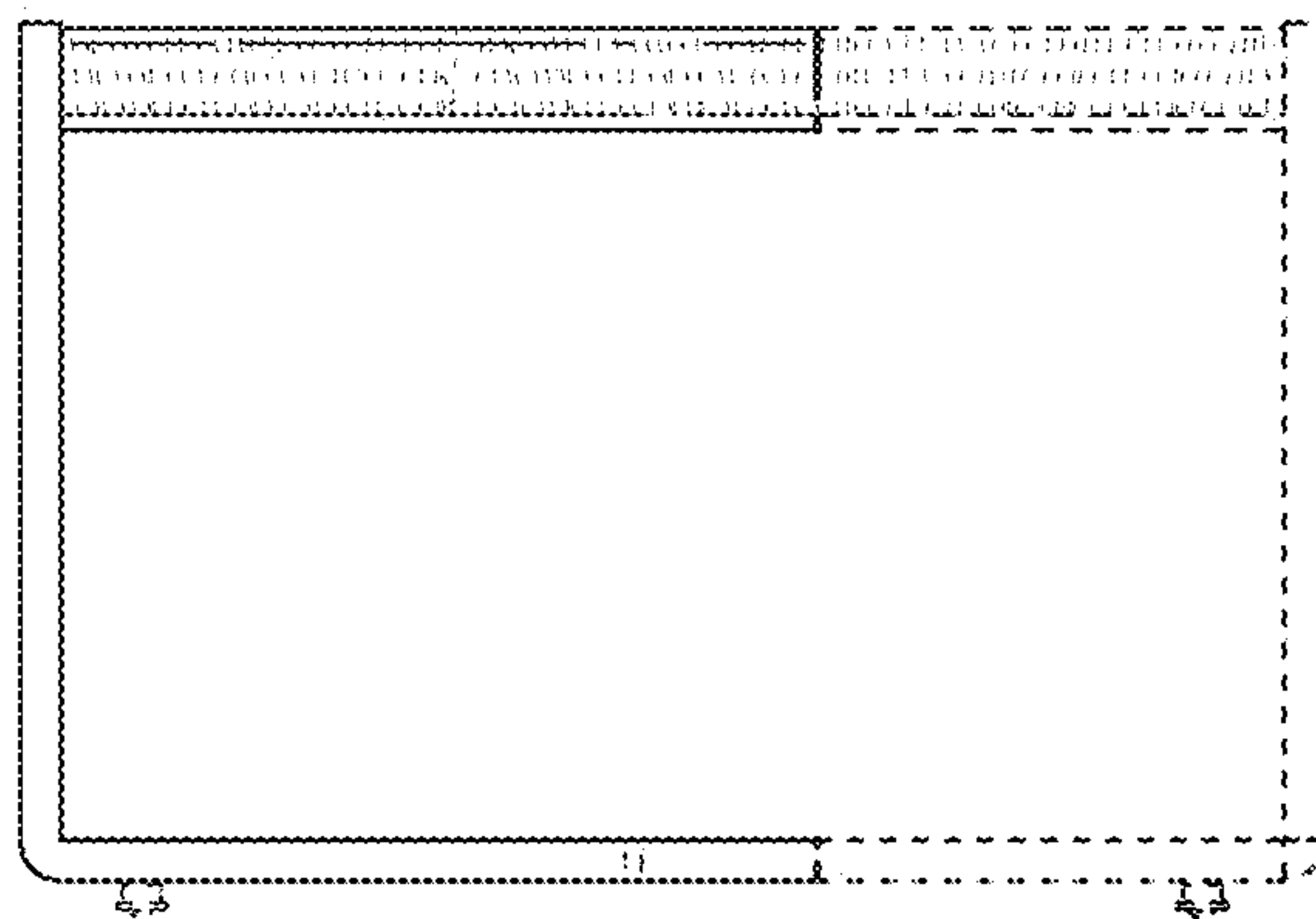


FIG. 13

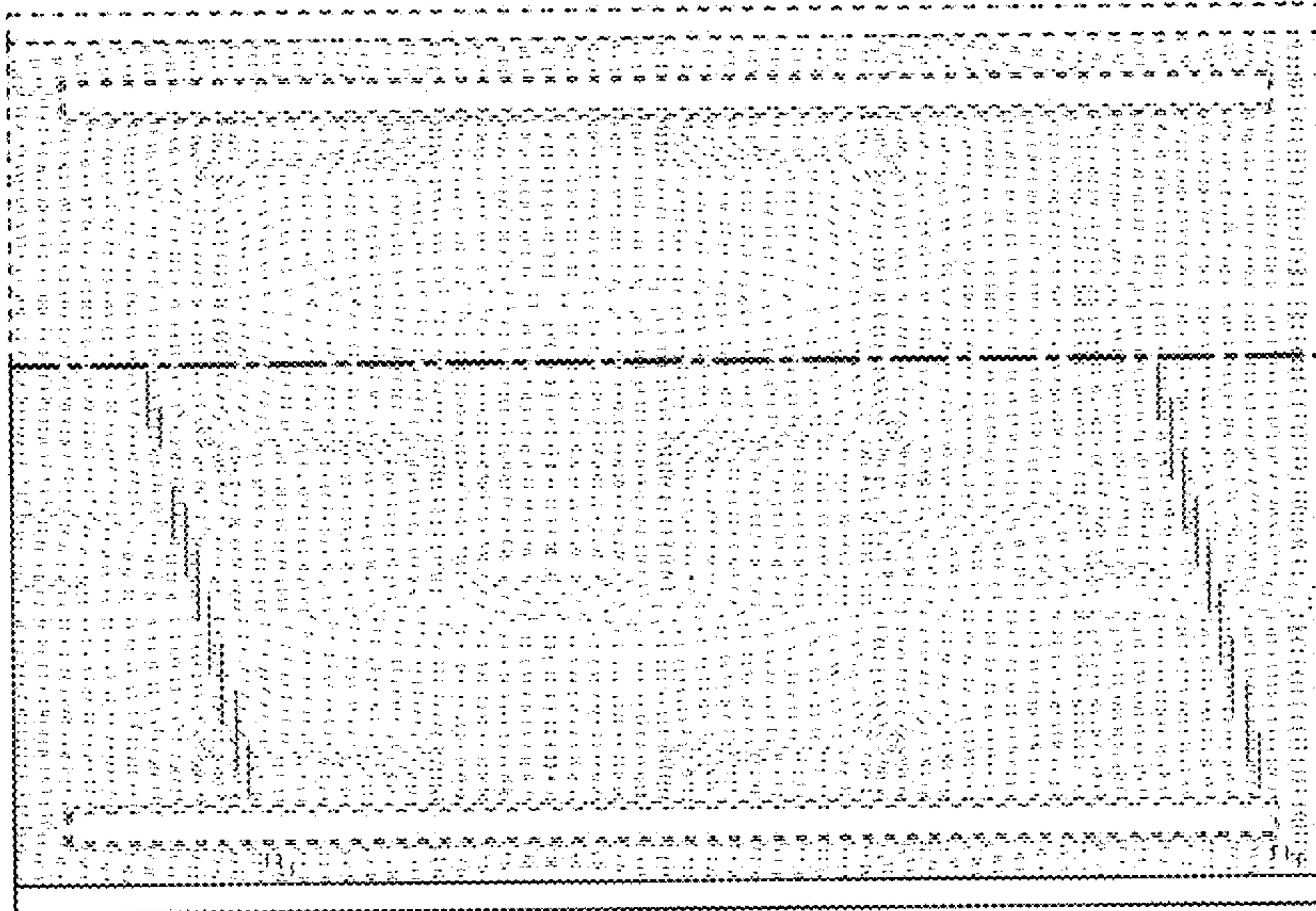


FIG. 14

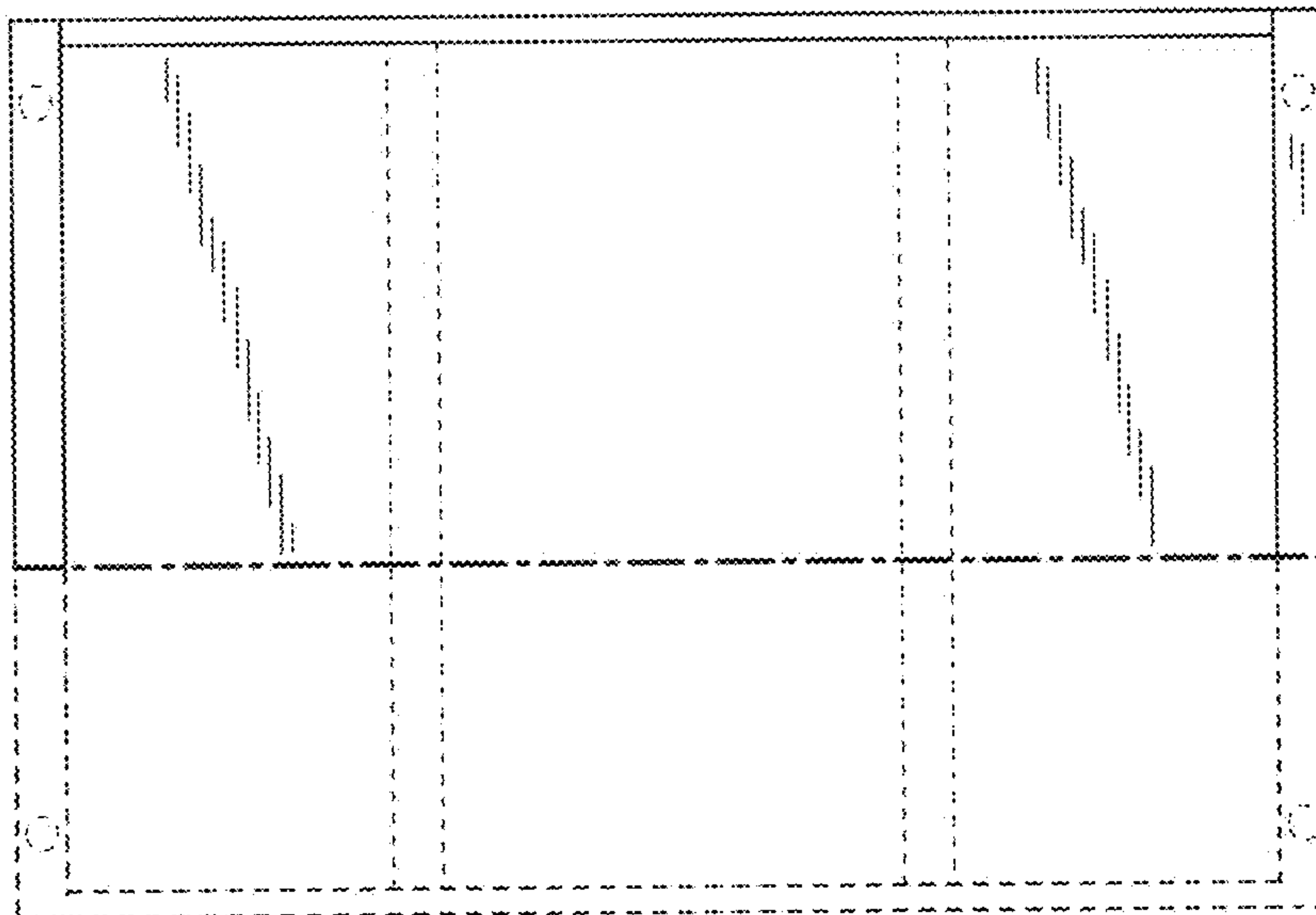


FIG. 15