



US00D686436S

(12) **United States Design Patent**
Berman

(10) **Patent No.:** **US D686,436 S**

(45) **Date of Patent:** **** Jul. 23, 2013**

(54) **MIRACLE BOX**

(76) **Inventor:** **Susan Berman**, Escondido, CA (US)

(**) **Term:** **14 Years**

(21) **Appl. No.:** **29/413,642**

(22) **Filed:** **Feb. 17, 2012**

(51) **LOC (9) Cl.** **06-04**

(52) **U.S. Cl.**
USPC **D6/661**

(58) **Field of Classification Search**
USPC D6/657, 658, 660, 661, 663, 665,
D6/665.1, 668, 668.1, 668.2; 312/114, 138.1,
312/204, 227, 237, 249.4, 278, 279

See application file for complete search history.

(56) **References Cited**

U.S. PATENT DOCUMENTS

D232,680	S	*	9/1974	Forrester	D6/665.1
D256,868	S	*	9/1980	Ogawa	D6/665.1
D436,462	S	*	1/2001	Gesing	D6/660
D461,068	S	*	8/2002	Stanton	D6/660
D546,586	S	*	7/2007	O'Hare et al.	D6/660

* cited by examiner

Primary Examiner — Mimoso De

(74) *Attorney, Agent, or Firm* — Lewis Kohn & Fitzwilliam LLP; Timothy W. Fitzwilliam

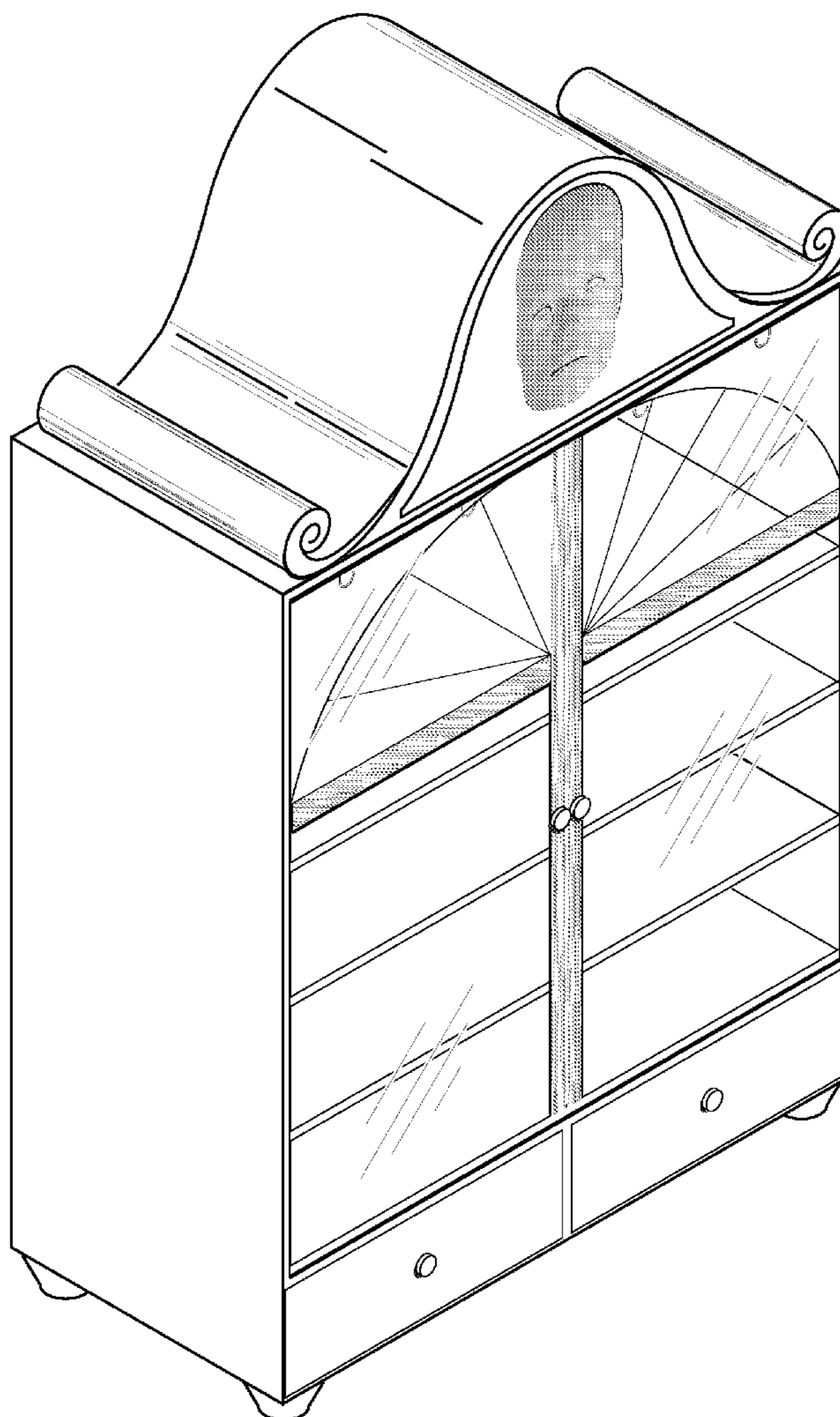
(57) **CLAIM**

The ornamental design for a miracle box, as shown and described.

DESCRIPTION

FIG. 1 is a front view of the miracle box; and, FIG. 2 is a perspective view thereof.

1 Claim, 2 Drawing Sheets



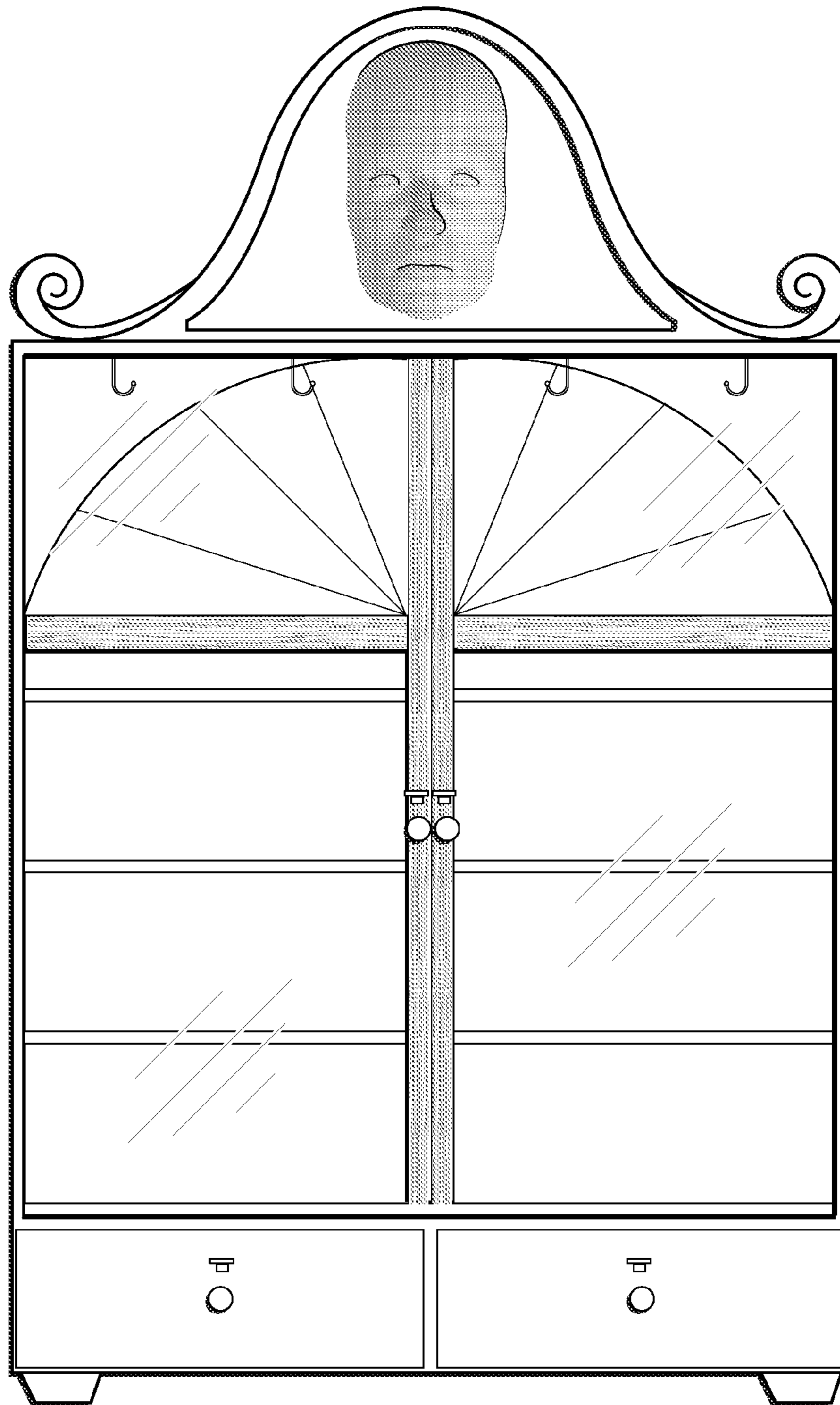


FIG. 1

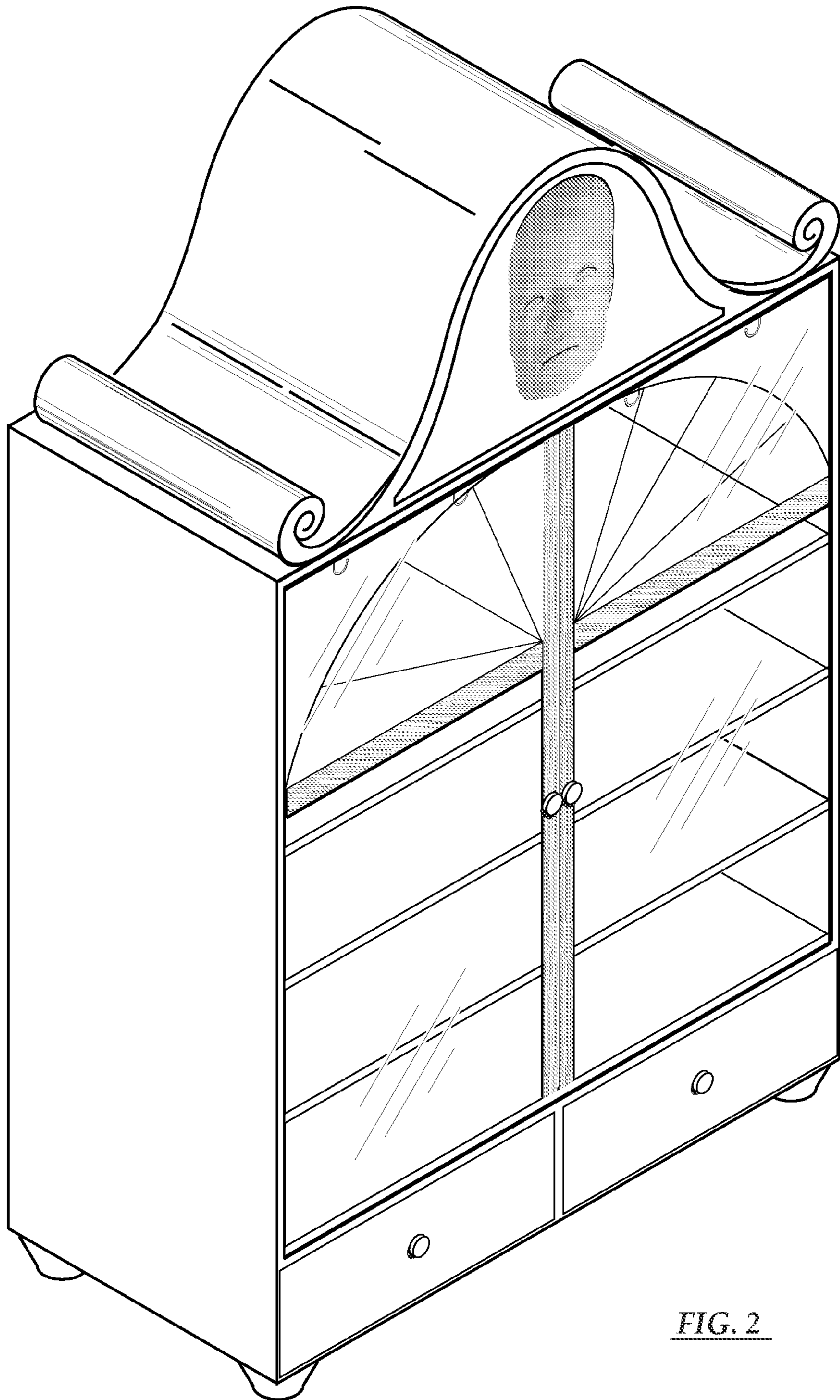


FIG. 2