



US00D686430S

(12) **United States Design Patent**  
**Fitzgerald et al.**

(10) **Patent No.:** **US D686,430 S**

(45) **Date of Patent:** **\*\* Jul. 23, 2013**

(54) **SHELF**

(75) Inventors: **Scott Fitzgerald**, Lowell, IN (US);  
**David J. Wojtowicz**, Orland Park, IL  
(US); **Thomas St. Germain**,  
Bridgeview, IL (US); **Mitchell Liss**,  
Northbrook, IL (US); **Al Dunaj**,  
Chicago, IL (US)

(73) Assignee: **Edsal Manufacturing Co., Inc.**,  
Chicago, IL (US)

(\*\*) Term: **14 Years**

(21) Appl. No.: **29/365,084**

(22) Filed: **Jul. 2, 2010**

(51) **LOC (9) Cl.** ..... **06-02**

(52) **U.S. Cl.**  
USPC ..... **D6/511**

(58) **Field of Classification Search**  
USPC ..... D6/396-397, 449, 465, 468, 475,  
D6/510-511, 574; 211/34, 49.1, 85.26, 134;  
D3/304, 315, 317; 108/91-93, 147.11, 158.11  
See application file for complete search history.

(56) **References Cited**

**U.S. PATENT DOCUMENTS**

1,284,235	A *	11/1918	Carlin	.....	248/317
D230,797	S *	3/1974	Slaboden	.....	D6/570
4,732,284	A *	3/1988	Remmers	.....	211/188
D303,596	S *	9/1989	Goetz	.....	D6/479
D366,170	S *	1/1996	Temple	.....	D6/511
6,036,288	A *	3/2000	Shih	.....	312/223.3
D423,840	S *	5/2000	Carville et al.	.....	D6/511
D428,742	S *	8/2000	Roberts	.....	D6/511
D444,656	S *	7/2001	West	.....	D6/511
D456,641	S *	5/2002	Carrabba	.....	D6/479
D476,510	S *	7/2003	Henry et al.	.....	D6/479
D510,220	S *	10/2005	Sandy	.....	D6/511
D519,121	S *	4/2006	Zamanian	.....	D14/447
D519,769	S *	5/2006	Hoernig	.....	D6/574

D566,556	S *	4/2008	Baker et al.	.....	D9/456
D569,139	S *	5/2008	Browne et al.	.....	D6/509
D597,353	S *	8/2009	Liss et al.	.....	D6/511
D597,354	S *	8/2009	Liss	.....	D6/511
D603,626	S *	11/2009	Weatherly	.....	D6/483
D603,634	S *	11/2009	Rotolo	.....	D6/511
D632,034	S *	2/2011	Ha et al.	.....	D32/25
7,886,673	B2 *	2/2011	Korte et al.	.....	108/110
D637,427	S *	5/2011	Troyner et al.	.....	D6/511
8,025,163	B2 *	9/2011	McAllister et al.	.....	211/90.03
D649,809	S *	12/2011	Keshishyan	.....	D6/483
2005/0103734	A1 *	5/2005	Saltzberg et al.	.....	211/187
2008/0169256	A1 *	7/2008	Shetler	.....	211/153
2012/0000871	A1 *	1/2012	Troyner et al.	.....	211/134
2012/0000873	A1 *	1/2012	Fitzgerald et al.	.....	211/153

\* cited by examiner

*Primary Examiner* — Kelley Donnelly

(74) *Attorney, Agent, or Firm* — Wood, Herron & Evans, LLP

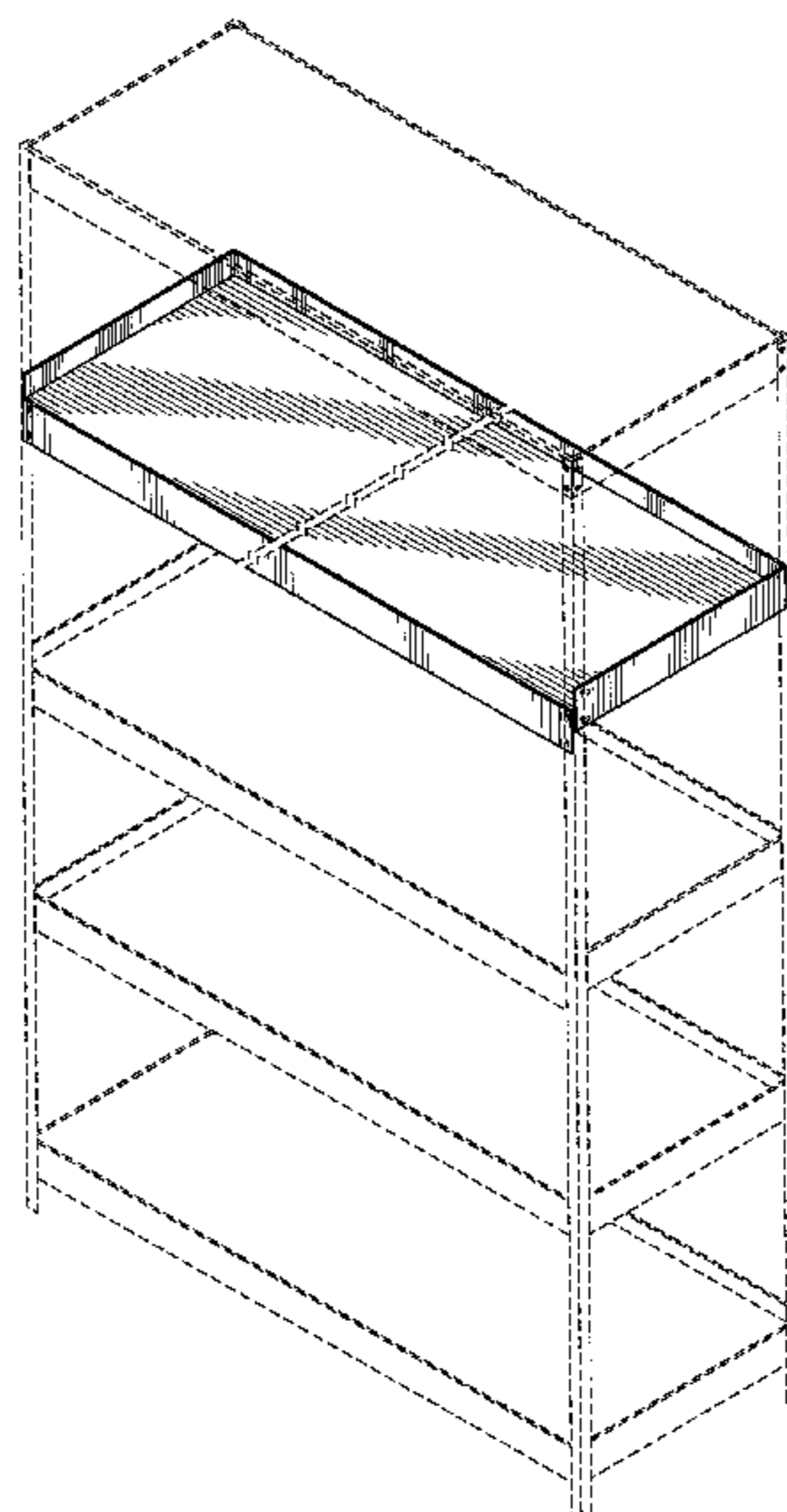
(57) **CLAIM**

The ornamental design for a shelf, as shown and described.

**DESCRIPTION**

FIG. 1. is an isometric view of a first embodiment of shelf showing my new design;  
 FIG. 2 is another isometric view thereof;  
 FIG. 3 is an elevational front view thereof;  
 FIG. 4 is a top view thereof;  
 FIG. 5 is an elevational side view thereof;  
 FIG. 6 is an isometric view of a second embodiment of shelf showing my new design;  
 FIG. 7 is another isometric view thereof;  
 FIG. 8 is a elevational side view thereof;  
 FIG. 9 is a top view thereof; and,  
 FIG. 10 is an end view thereof.  
 The break lines illustrated in FIGS. 1, 2, 3, 4, 6, 7, 8 and 9 are not part of the claimed design and represent that no particular length is claimed.

**1 Claim, 6 Drawing Sheets**



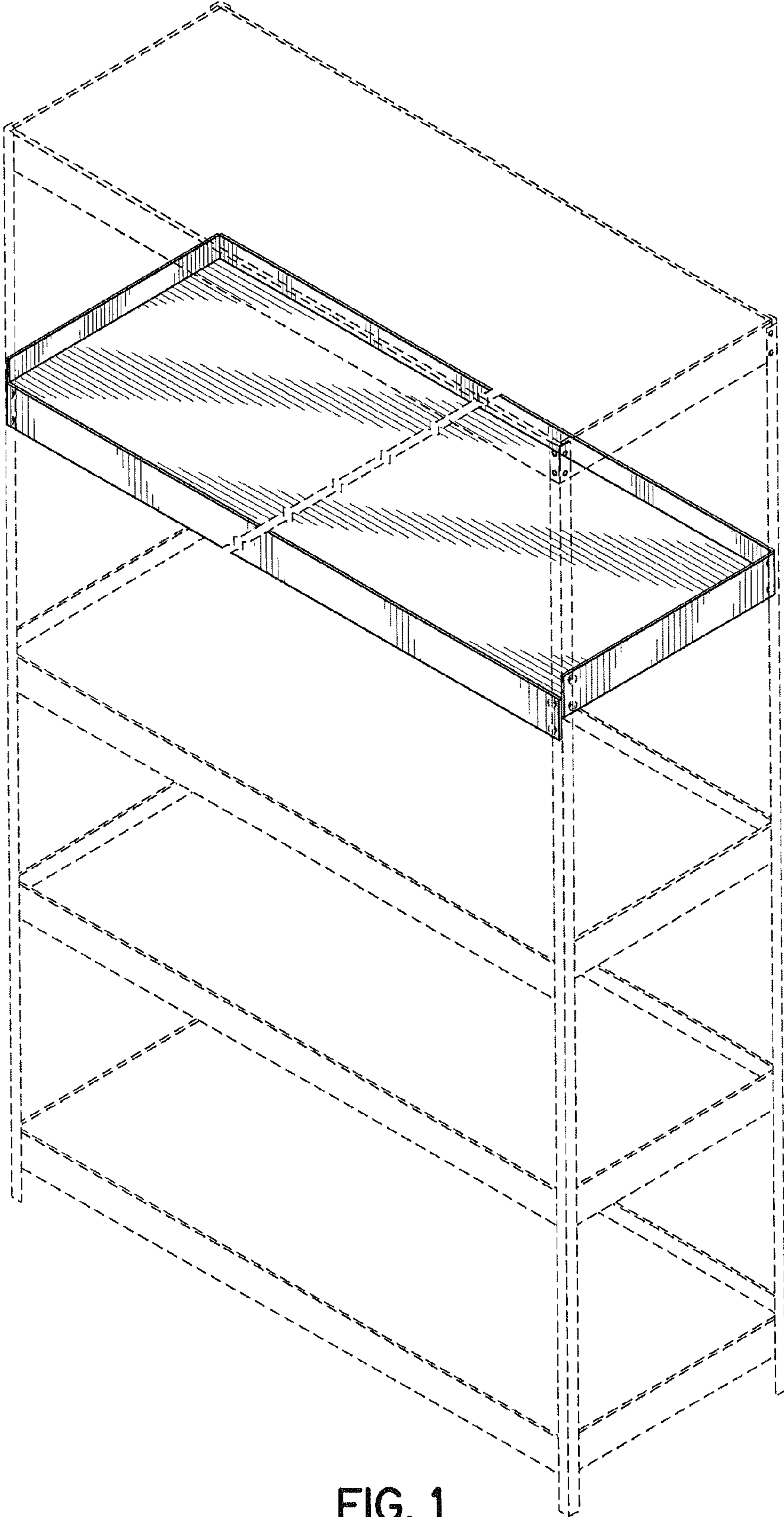


FIG. 1

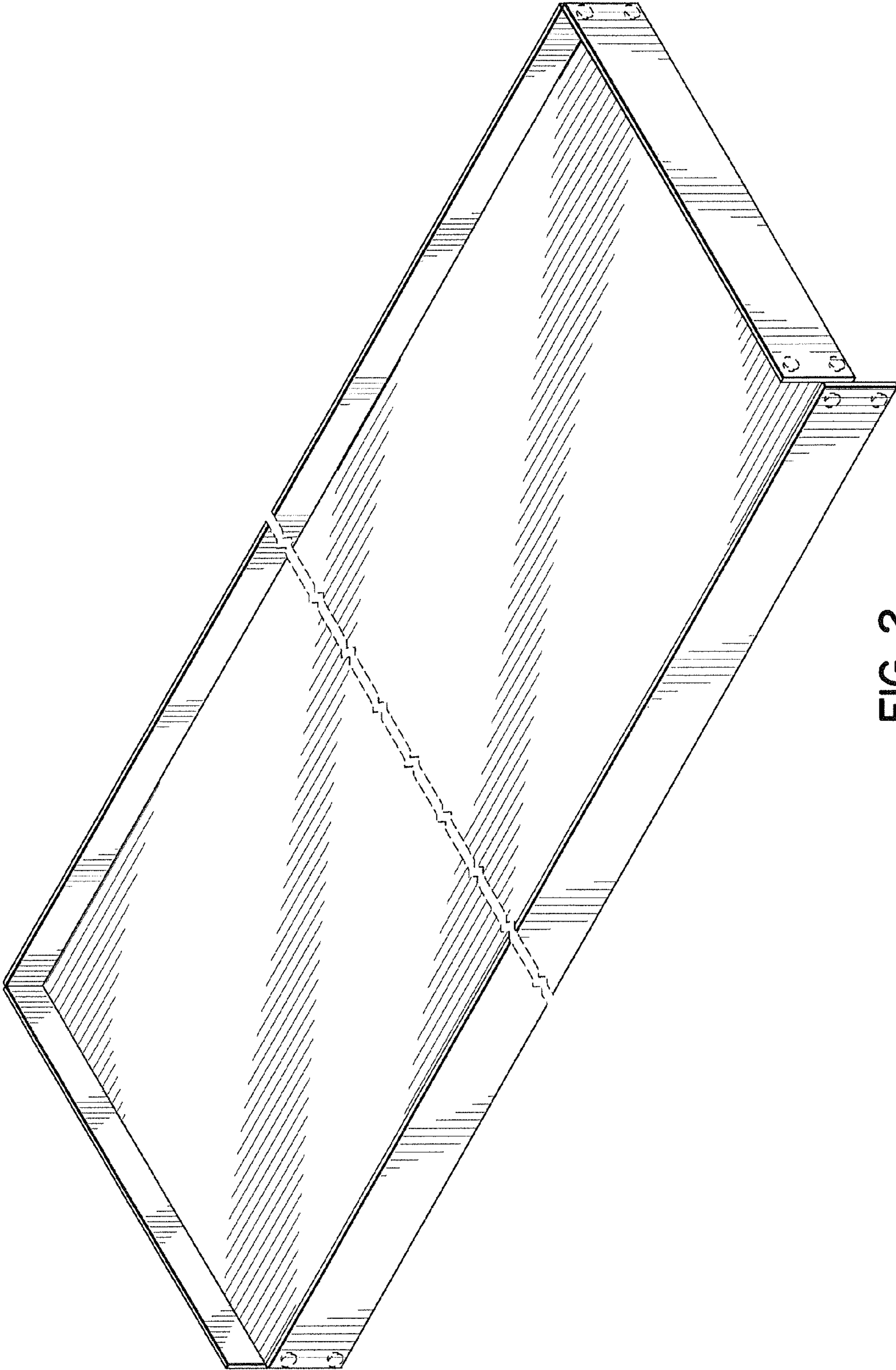


FIG. 2



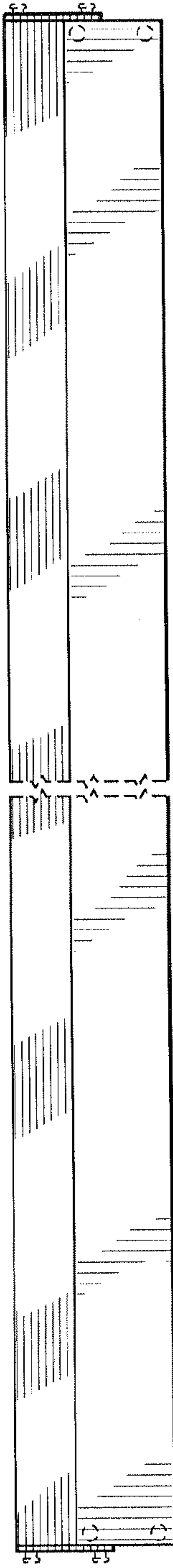


FIG. 3

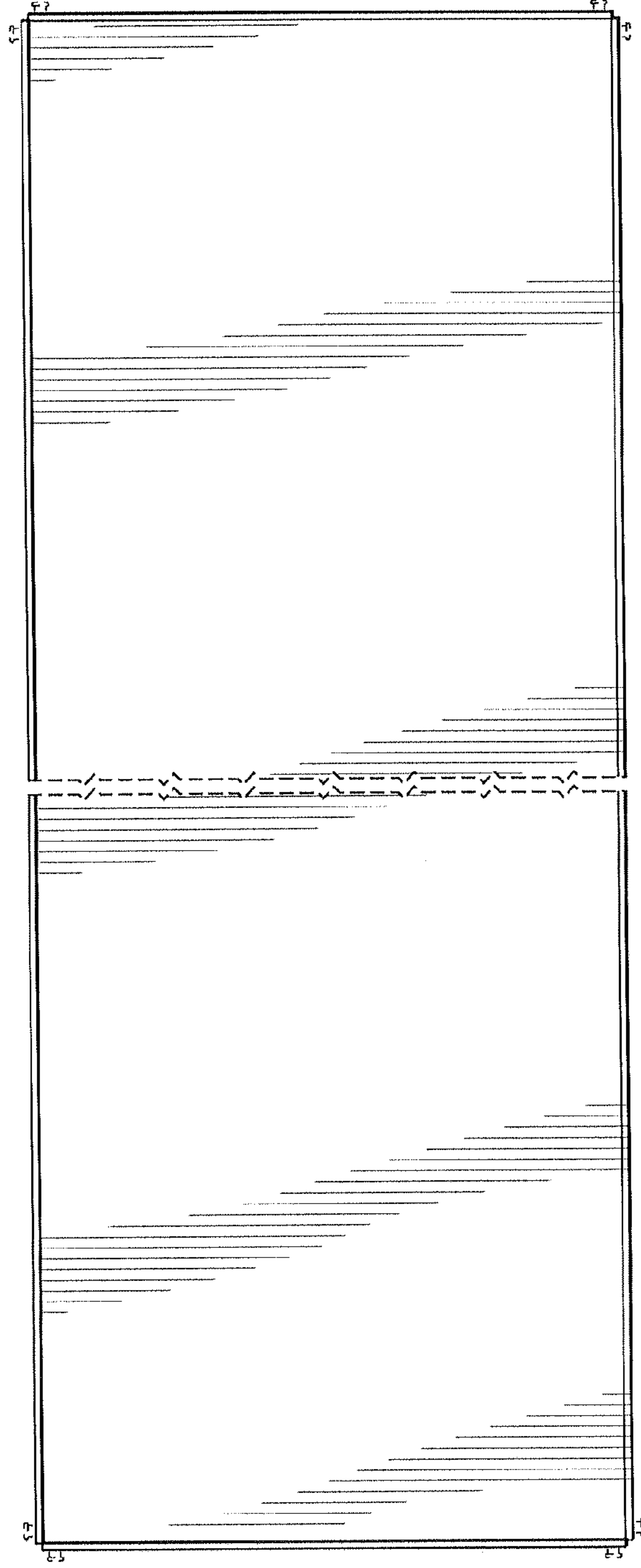


FIG. 4

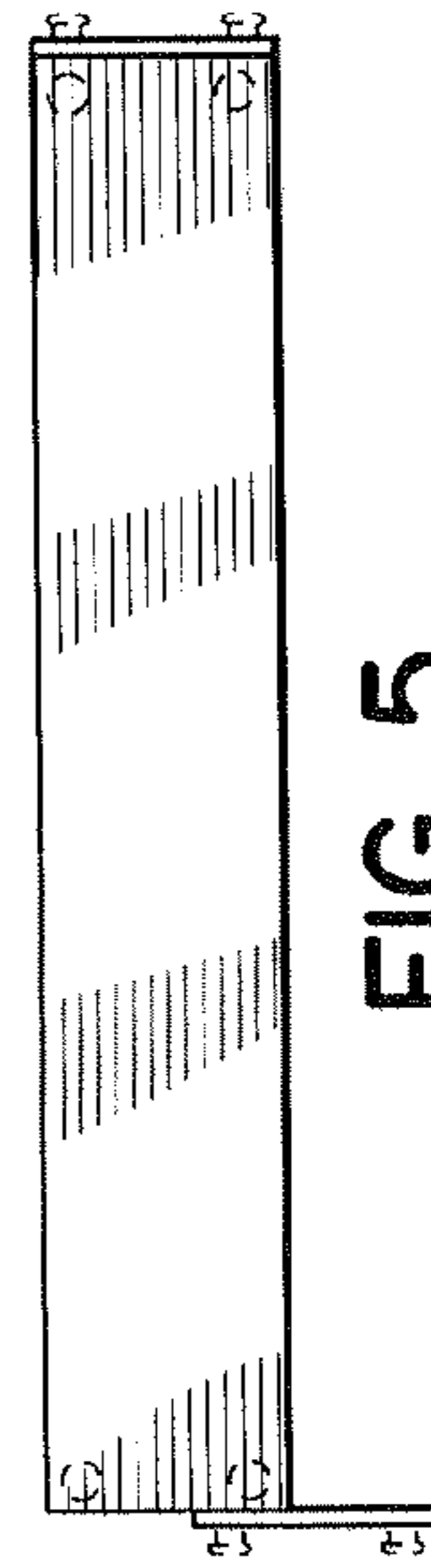


FIG. 5

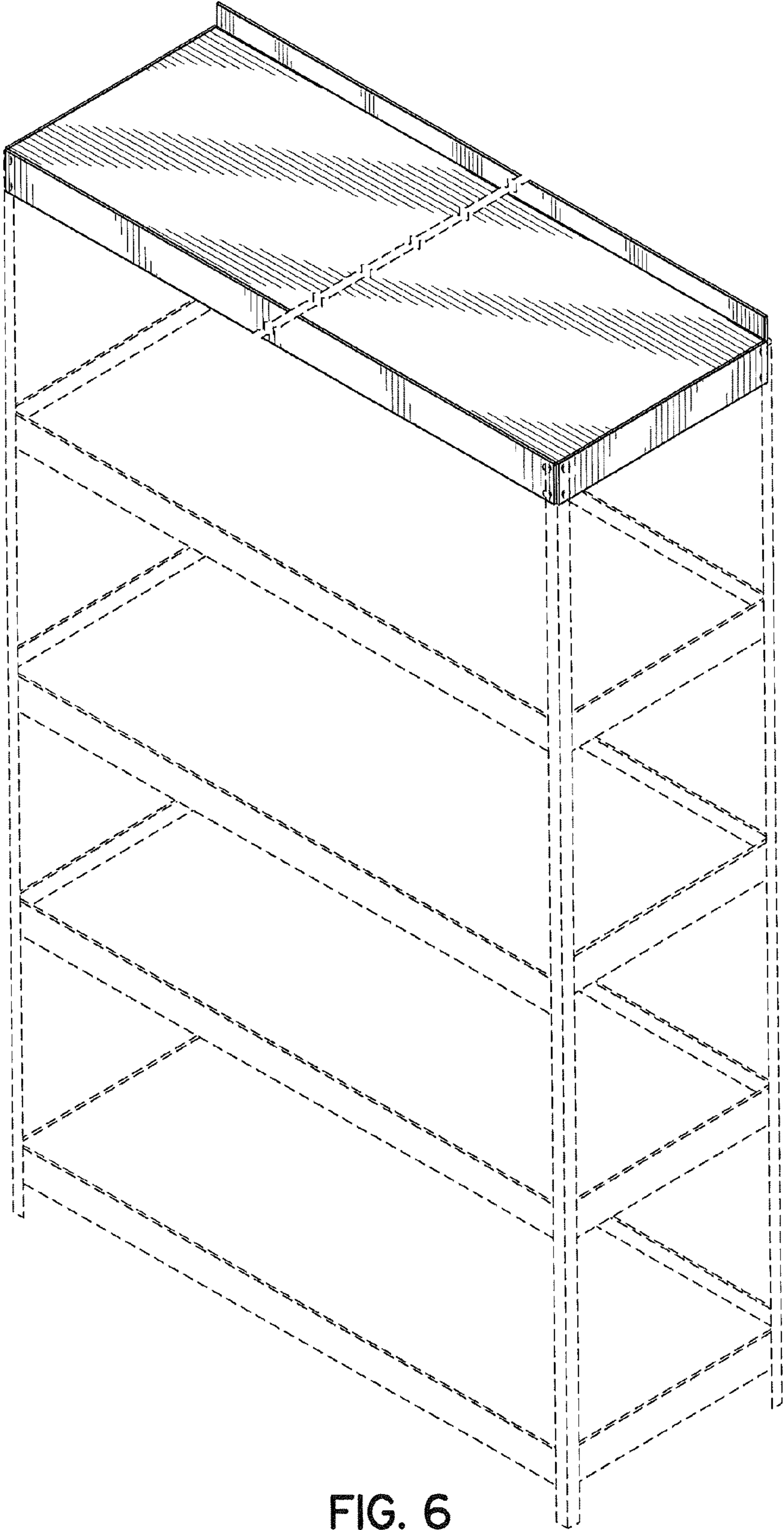


FIG. 6

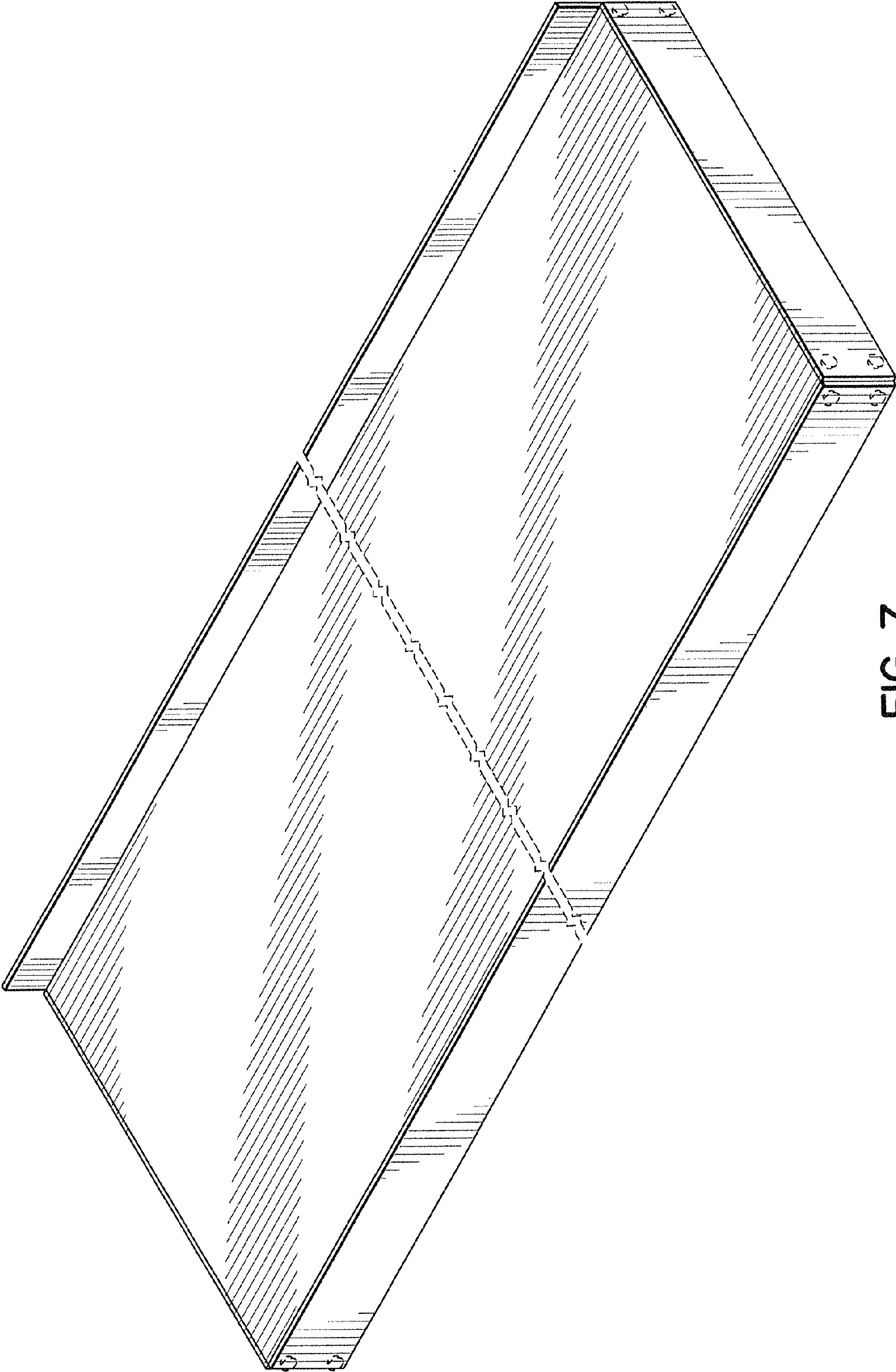


FIG. 7

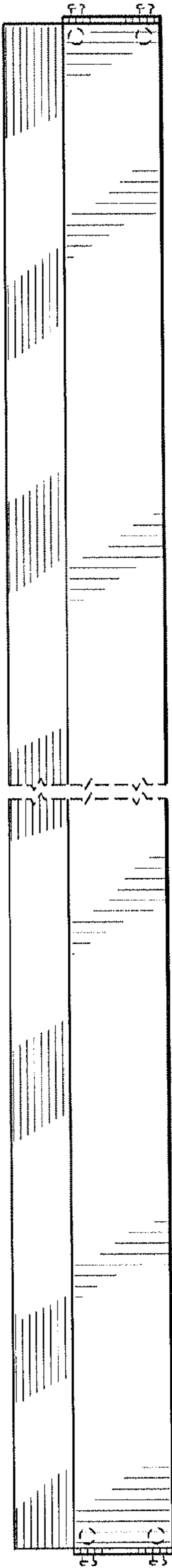


FIG. 8

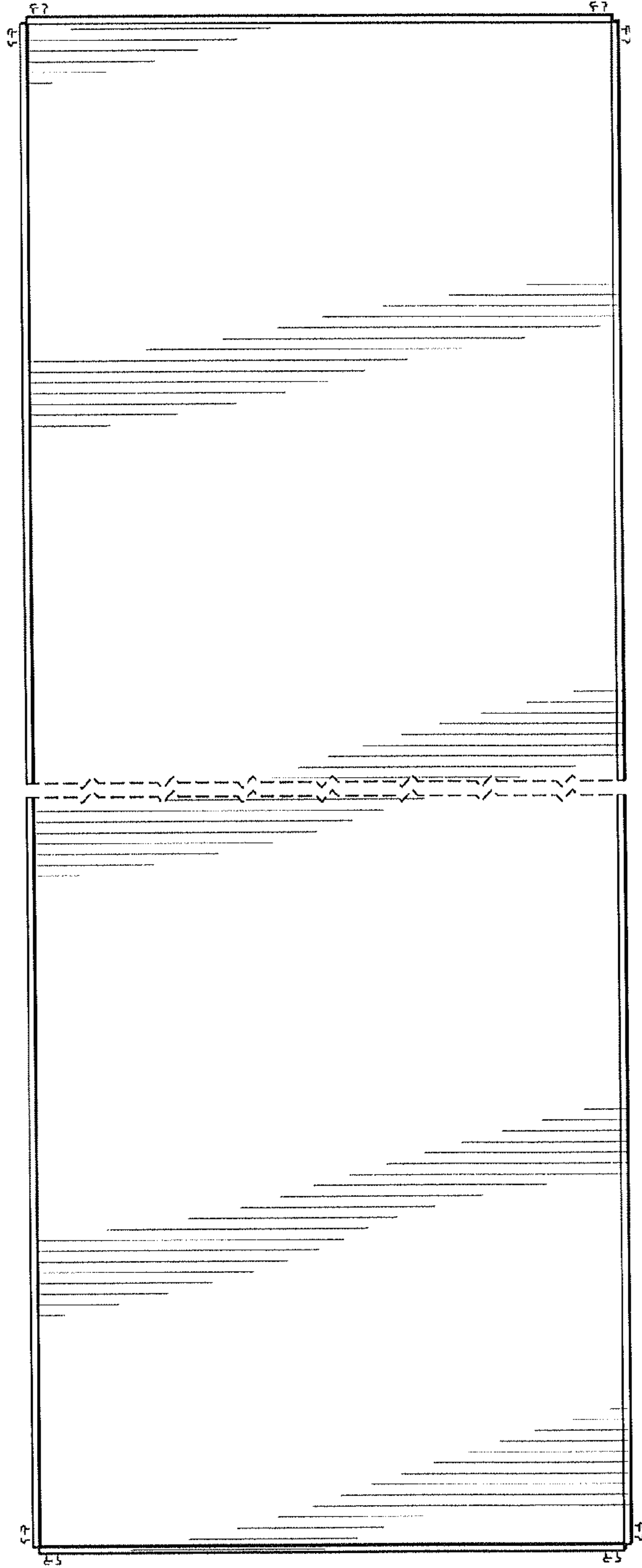


FIG. 9

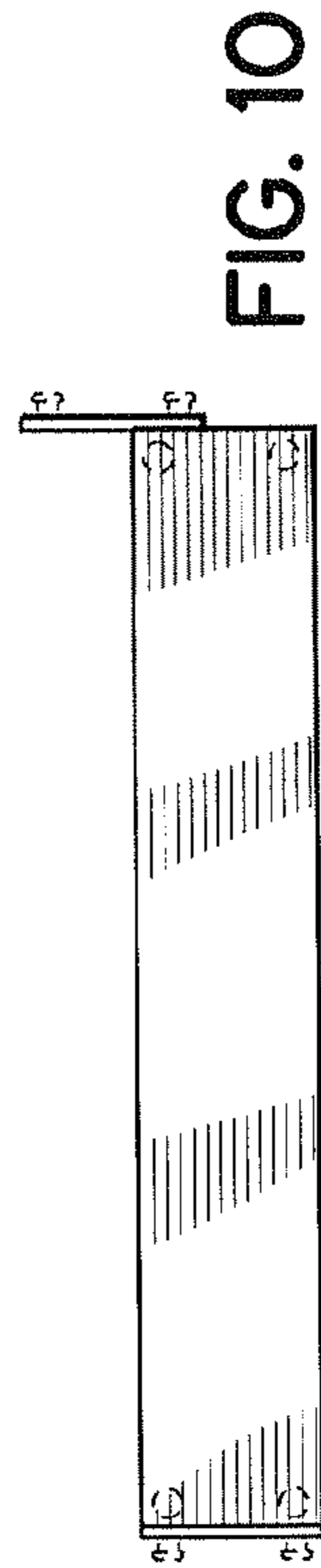


FIG. 10