



US00D686428S

(12) **United States Design Patent**
Gasser

(10) **Patent No.:** **US D686,428 S**
(45) **Date of Patent:** **** Jul. 23, 2013**

(54) **DRAWER SIDE PANEL**

(75) Inventor: **Ingo Gasser**, Hochst (AT)

(73) Assignee: **Julius Blum GmbH**, Hochst (AT)

(**) Term: **14 Years**

(21) Appl. No.: **29/401,448**

(22) Filed: **Sep. 12, 2011**

(30) **Foreign Application Priority Data**

May 19, 2011 (EM) 001866211-0013

(51) **LOC (9) Cl.** **06-02**

(52) **U.S. Cl.**
USPC **D6/510**

(58) **Field of Classification Search**
USPC D6/396-397, 421-426, 429-449,
D6/477-480, 509-511; 312/184, 204, 224,
312/227, 238, 265.1, 297, 330.1, 334.36,
312/348.3, 348.4, 348.6
See application file for complete search history.

(56) **References Cited**

U.S. PATENT DOCUMENTS

3,315,834	A *	4/1967	Nemlich	220/4.01
3,612,639	A *	10/1971	Williams	312/310
3,722,974	A *	3/1973	Hartman	312/348.2
4,403,817	A *	9/1983	Aidar	312/265.1
D298,708	S *	11/1988	Nygren	D6/491
4,961,295	A *	10/1990	Kosch et al.	52/36.5
5,927,841	A *	7/1999	Ferrari et al.	312/348.1
5,971,516	A *	10/1999	Huber	312/348.1
D425,734	S *	5/2000	Bauer	D6/491
6,119,878	A *	9/2000	Zen	211/94.01
6,580,030	B1 *	6/2003	Horne	174/50
D496,814	S *	10/2004	Hong	D6/510
6,860,574	B2 *	3/2005	Hwang et al.	312/334.44

D520,148	S *	5/2006	Kendall et al.	D25/138
D563,125	S *	3/2008	Held et al.	D6/510
D572,510	S *	7/2008	Bohler	D6/510
D572,511	S *	7/2008	Bohler	D6/510
D572,512	S *	7/2008	Kampl	D6/510
D577,936	S *	10/2008	Held	D6/510
D584,081	S *	1/2009	Vestweber	D6/500
D587,939	S *	3/2009	Schloss	D6/491
D593,214	S *	5/2009	Bohler	D25/58
7,597,413	B2 *	10/2009	Fitz	312/334.15
D605,882	S *	12/2009	Bohler	D6/510
D617,583	S *	6/2010	Daino	D6/491
7,780,253	B1 *	8/2010	Lu	312/334.4
D625,941	S *	10/2010	Holzer	D6/510
D638,237	S *	5/2011	Holzer	D6/510
8,028,965	B2 *	10/2011	Chen et al.	248/298.1
8,104,626	B2 *	1/2012	Huang et al.	211/26
D656,694	S *	3/2012	Kim	D32/25
8,147,009	B1 *	4/2012	Rider	312/257.1

* cited by examiner

Primary Examiner — Kelley Donnelly

(74) *Attorney, Agent, or Firm* — Wenderoth, Lind & Ponack, L.L.P.

(57) **CLAIM**

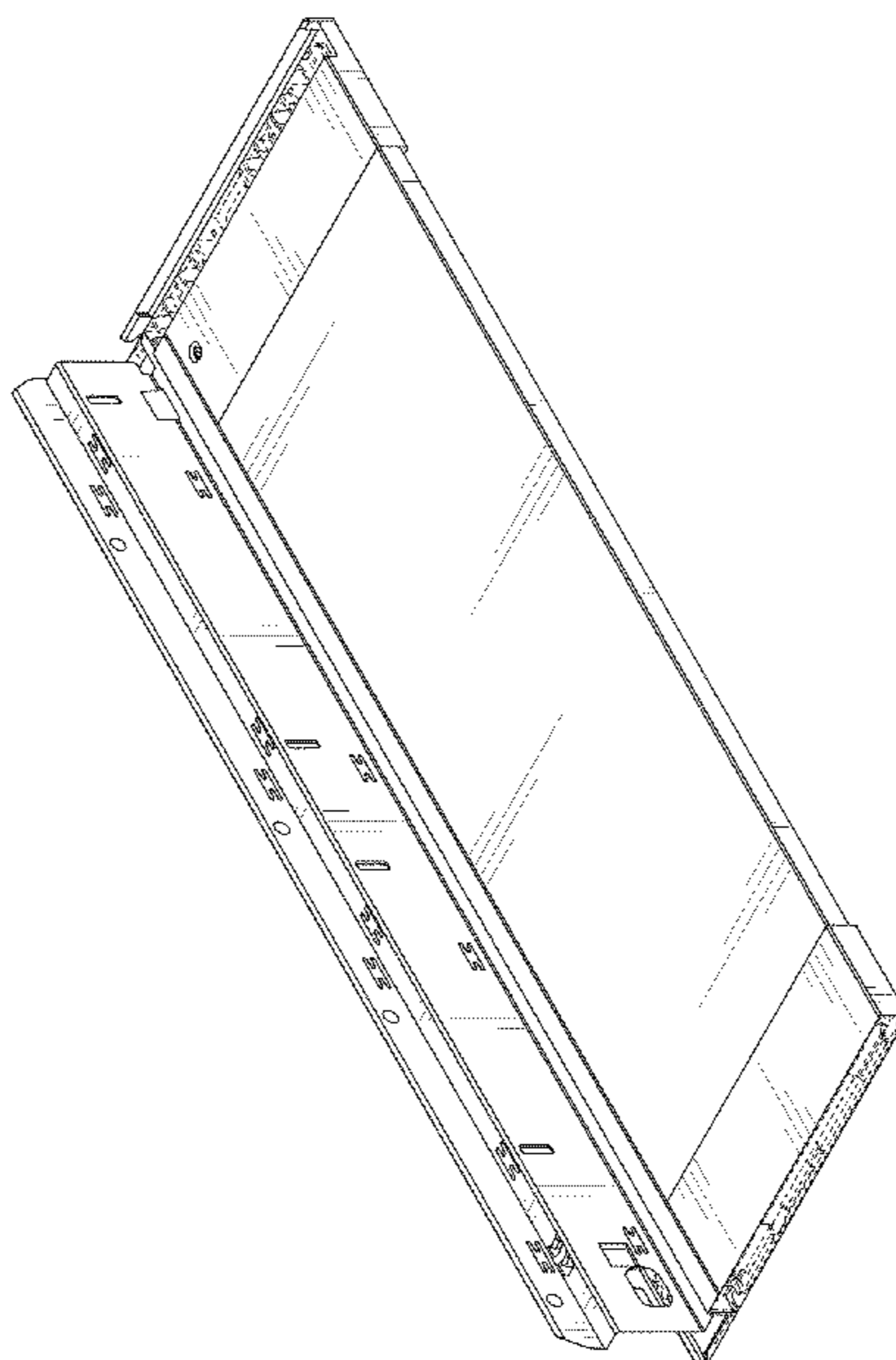
The ornamental design for a drawer side panel, as shown and described.

DESCRIPTION

FIG. 1 is a front perspective view of a drawer side panel;
FIG. 2 is a front view thereof;
FIG. 3 is a rear view thereof;
FIG. 4 is a left side view thereof;
FIG. 5 is a right side view thereof;
FIG. 6 is a bottom view thereof; and,
FIG. 7 is a top view thereof.

The portions of the drawings shown in broken lines form no part of the claimed design.

1 Claim, 7 Drawing Sheets



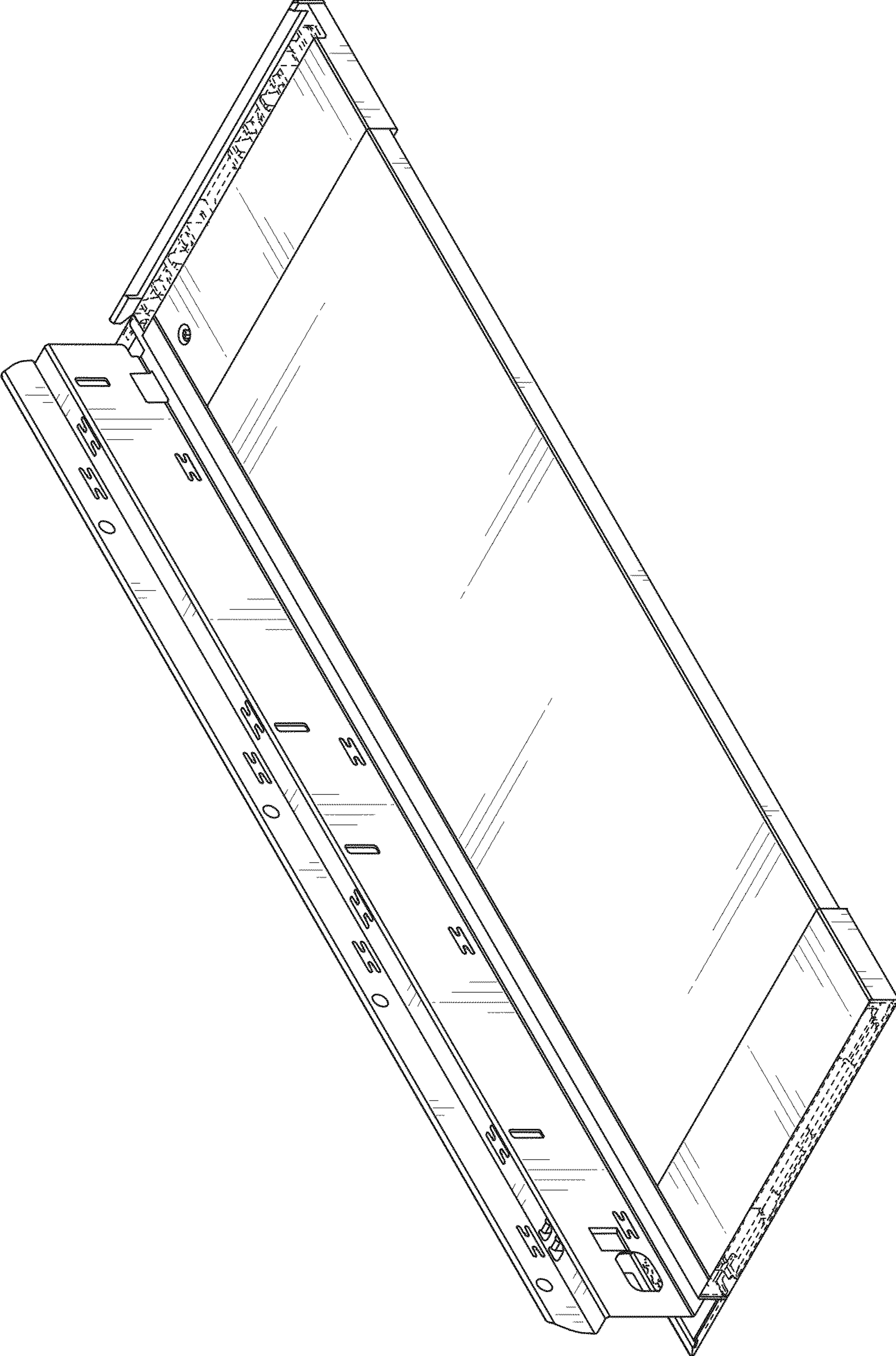


FIG. 1

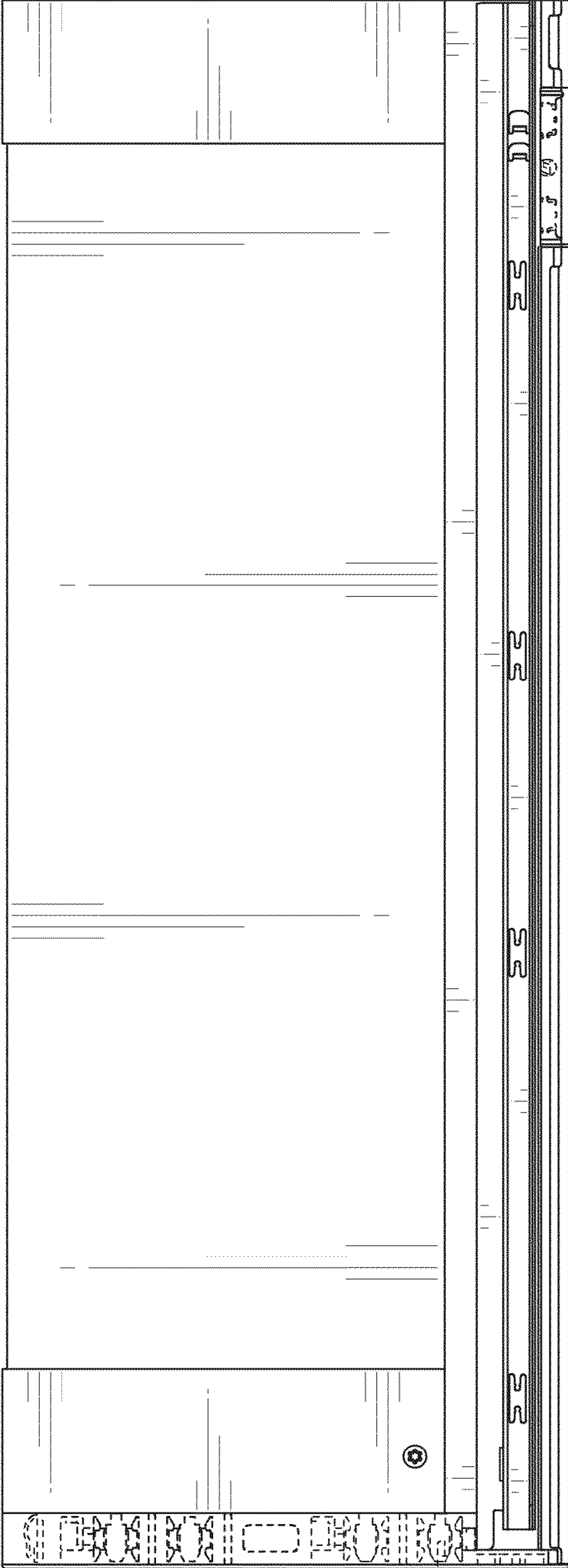


FIG. 2

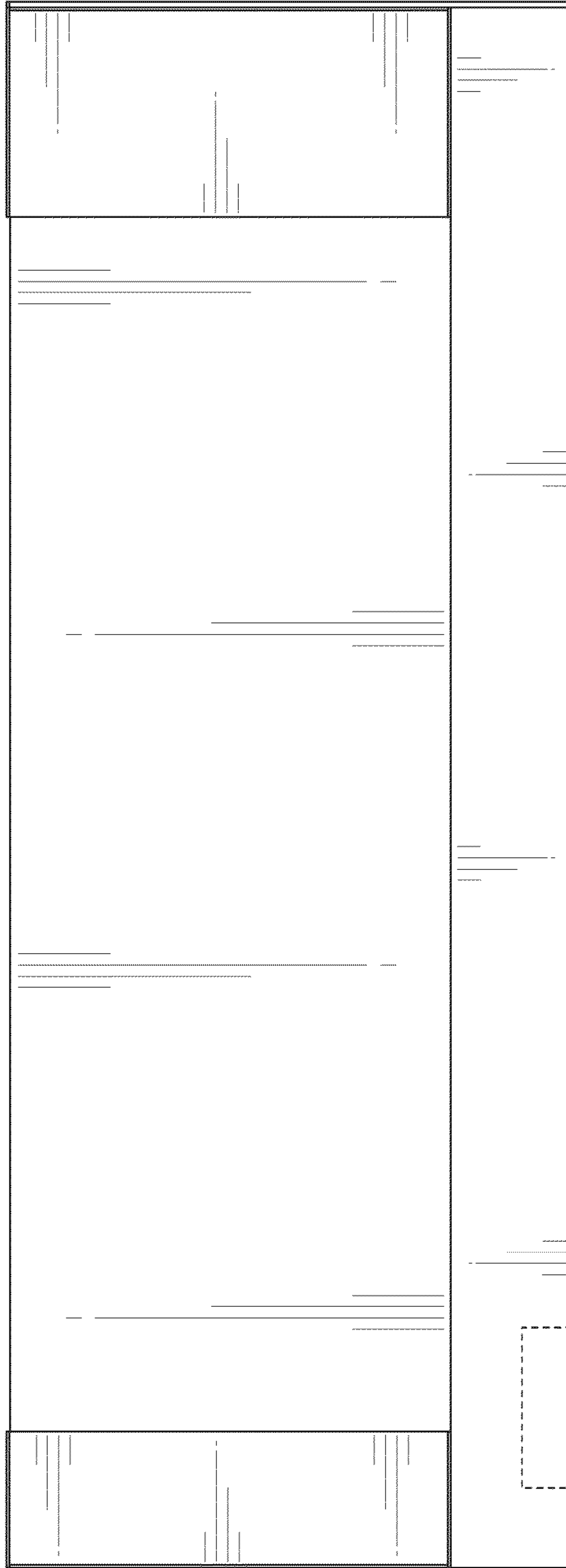


FIG. 3

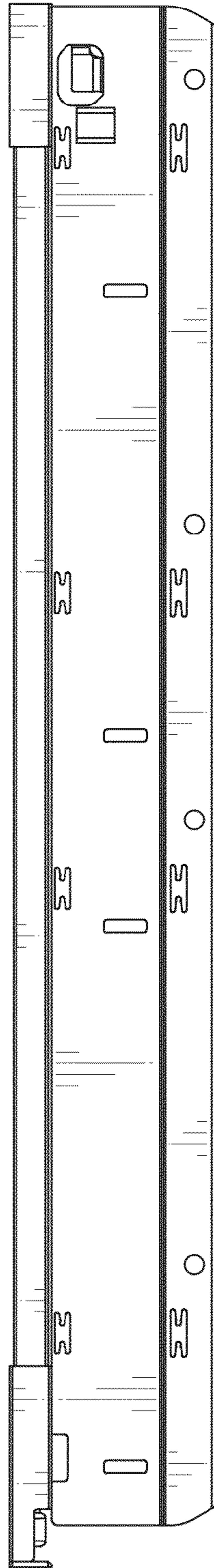


FIG. 4

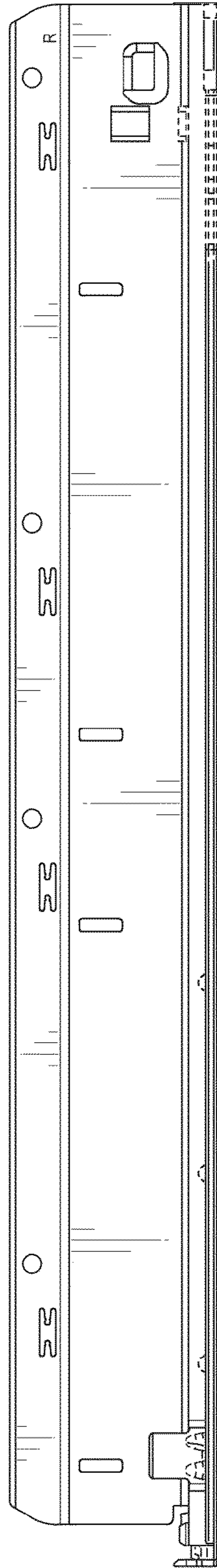


FIG. 5



FIG. 6

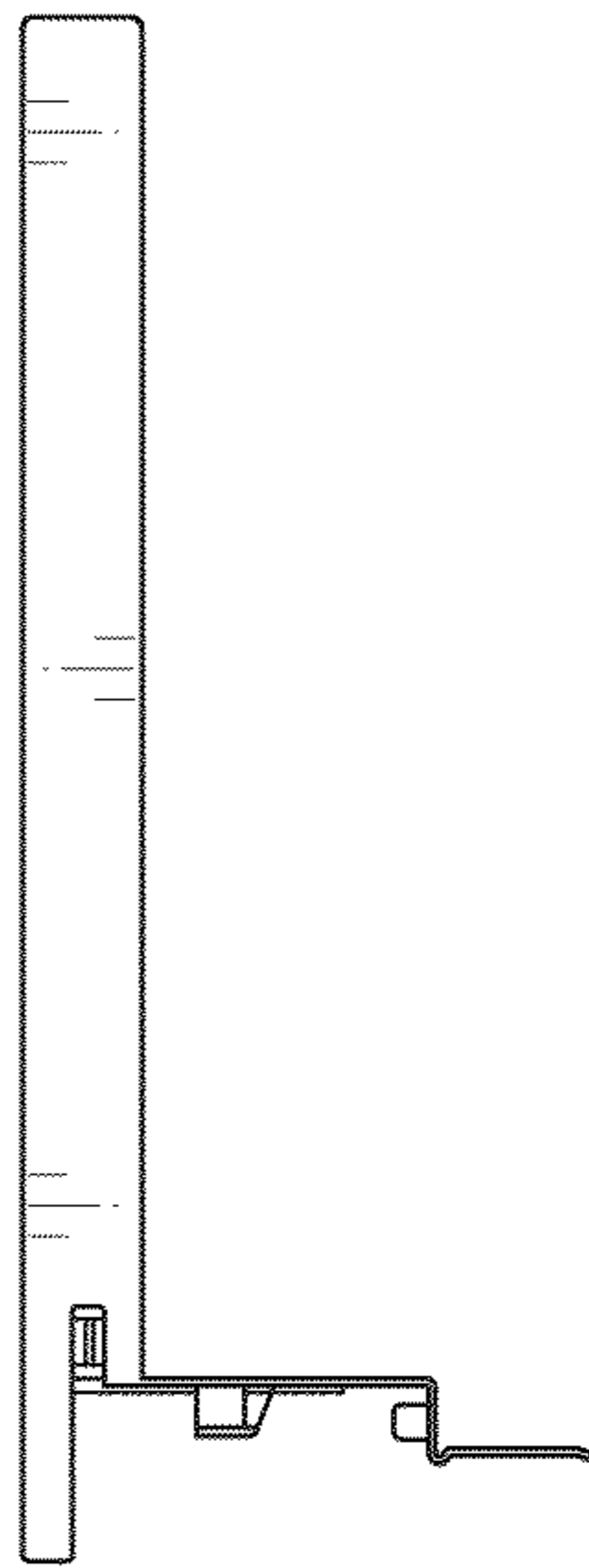


FIG. 7