



US00D686425S

(12) **United States Design Patent**  
**Behrens et al.**

(10) **Patent No.:** **US D686,425 S**  
(45) **Date of Patent:** **\*\* Jul. 23, 2013**

(54) **CHAIR**

(75) Inventors: **Philip Behrens**, Winston-Salem, NC  
(US); **William I. Bongaerts**,  
Winston-Salem, NC (US)

(73) Assignee: **Beaufurn, LLC**, Clemmons, NC (US)

(\*\*) Term: **14 Years**

(21) Appl. No.: **29/419,562**

(22) Filed: **Apr. 30, 2012**

(51) **LOC (9) Cl.** ..... **06-01**

(52) **U.S. Cl.**  
USPC ..... **D6/376; D6/366**

(58) **Field of Classification Search**  
USPC ..... D6/334-336, 358, 369, 374, 376,  
D6/379, 380, 716, 716.1, 716.2, 716.3, 716.4;  
297/239, 445.1, 446.1, 452.2, 452.46, 452.56,  
297/452.64

See application file for complete search history.

(56) **References Cited**

**U.S. PATENT DOCUMENTS**

D79,021 S \* 7/1929 Forst ..... D6/369  
D184,387 S \* 2/1959 Williams ..... D6/334

D244,898 S \* 7/1977 Rocchia ..... D6/358  
D289,469 S \* 4/1987 Tonon ..... D6/379  
D374,131 S \* 10/1996 Muller ..... D6/380  
D390,031 S \* 2/1998 Diaz-Azcuy ..... D6/380  
D454,440 S \* 3/2002 Tseng ..... D6/376  
D515,330 S \* 2/2006 Lucci et al. .... D6/380  
D544,236 S \* 6/2007 Swy et al. .... D6/380  
D610,379 S \* 2/2010 Muller ..... D6/716.4  
D649,803 S \* 12/2011 Chiaramonte et al. .... D6/376

\* cited by examiner

*Primary Examiner* — Mimosa De

(74) *Attorney, Agent, or Firm* — MacCord Mason PLLC

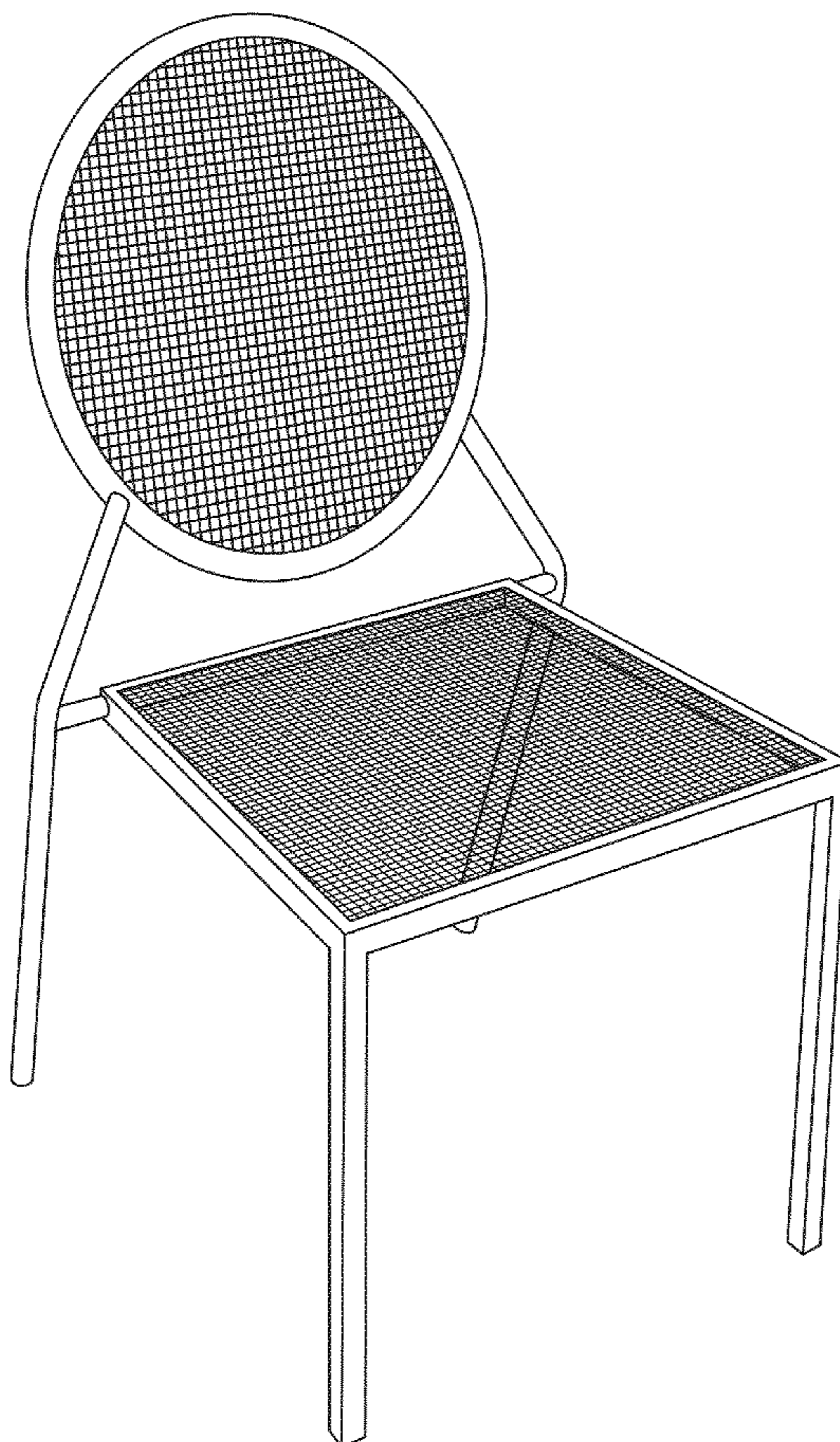
(57) **CLAIM**

The ornamental design for a chair, as shown and described.

**DESCRIPTION**

FIG. 1 is a front perspective view of a chair showing my new design;  
FIG. 2 is a front view thereof;  
FIG. 3 is a rear view thereof;  
FIG. 4 is a left side view, the right side being a mirror image thereof;  
FIG. 5 is top view thereof; and,  
FIG. 6 is a bottom view thereof.

**1 Claim, 6 Drawing Sheets**



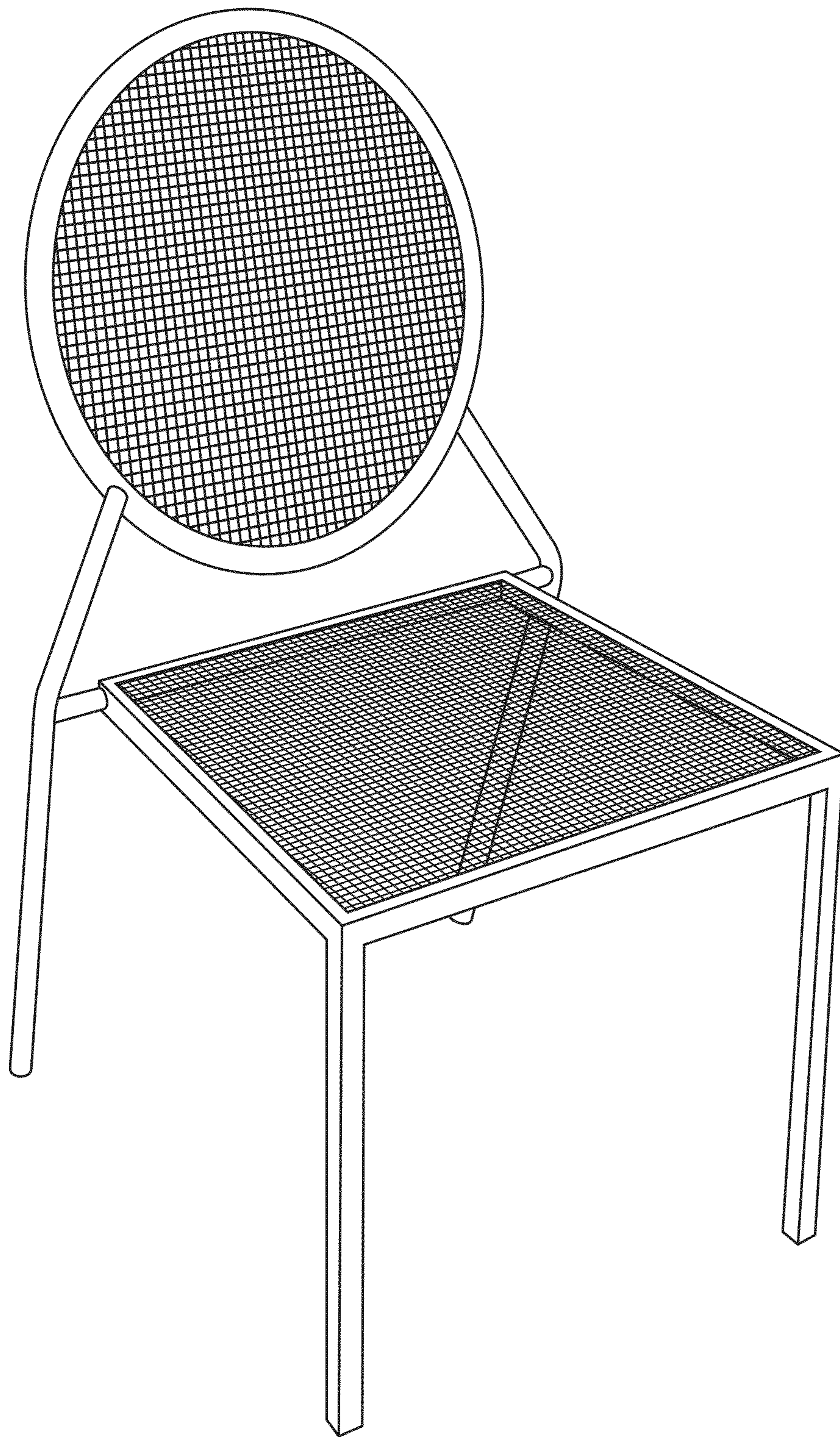


FIG. 1

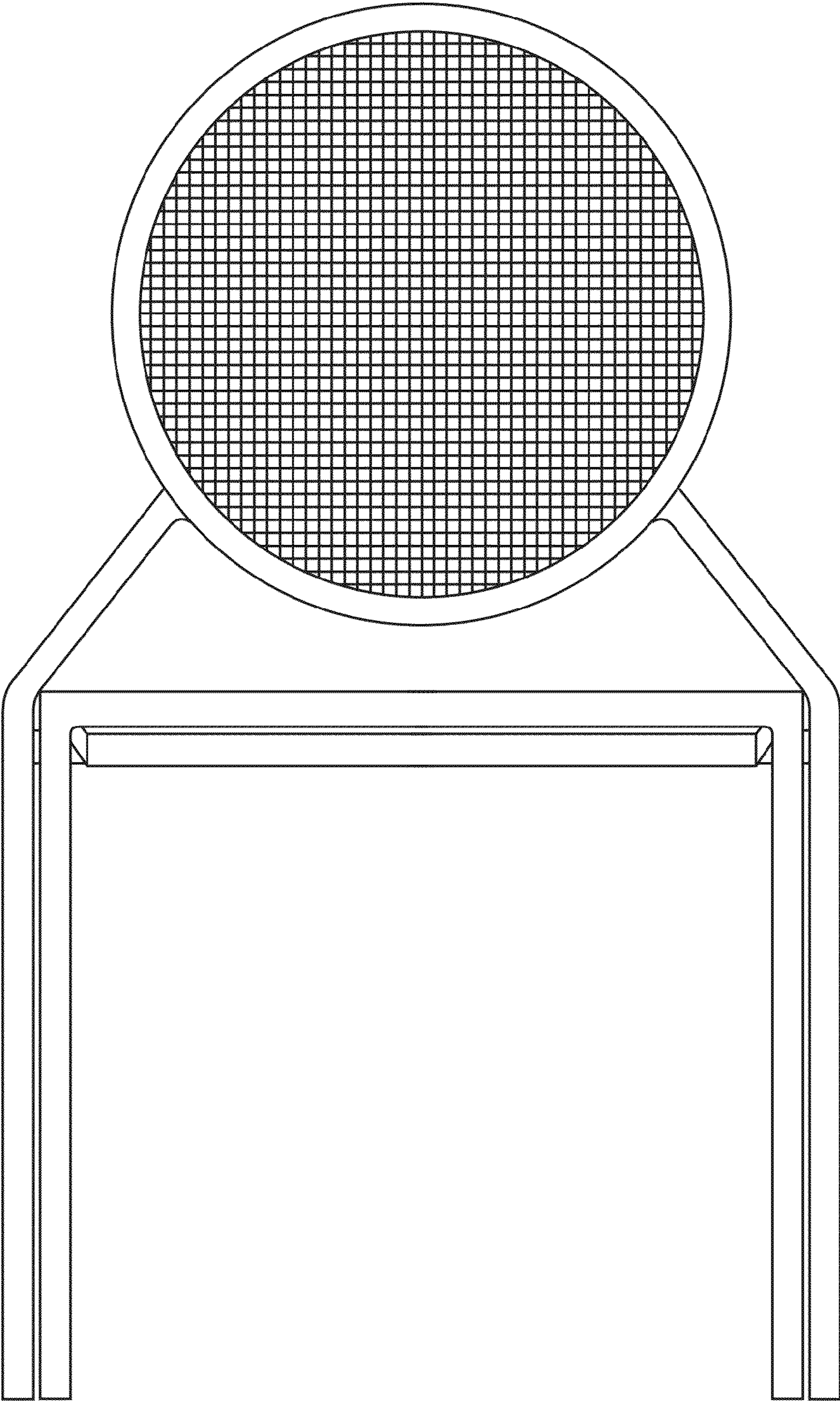


FIG. 2

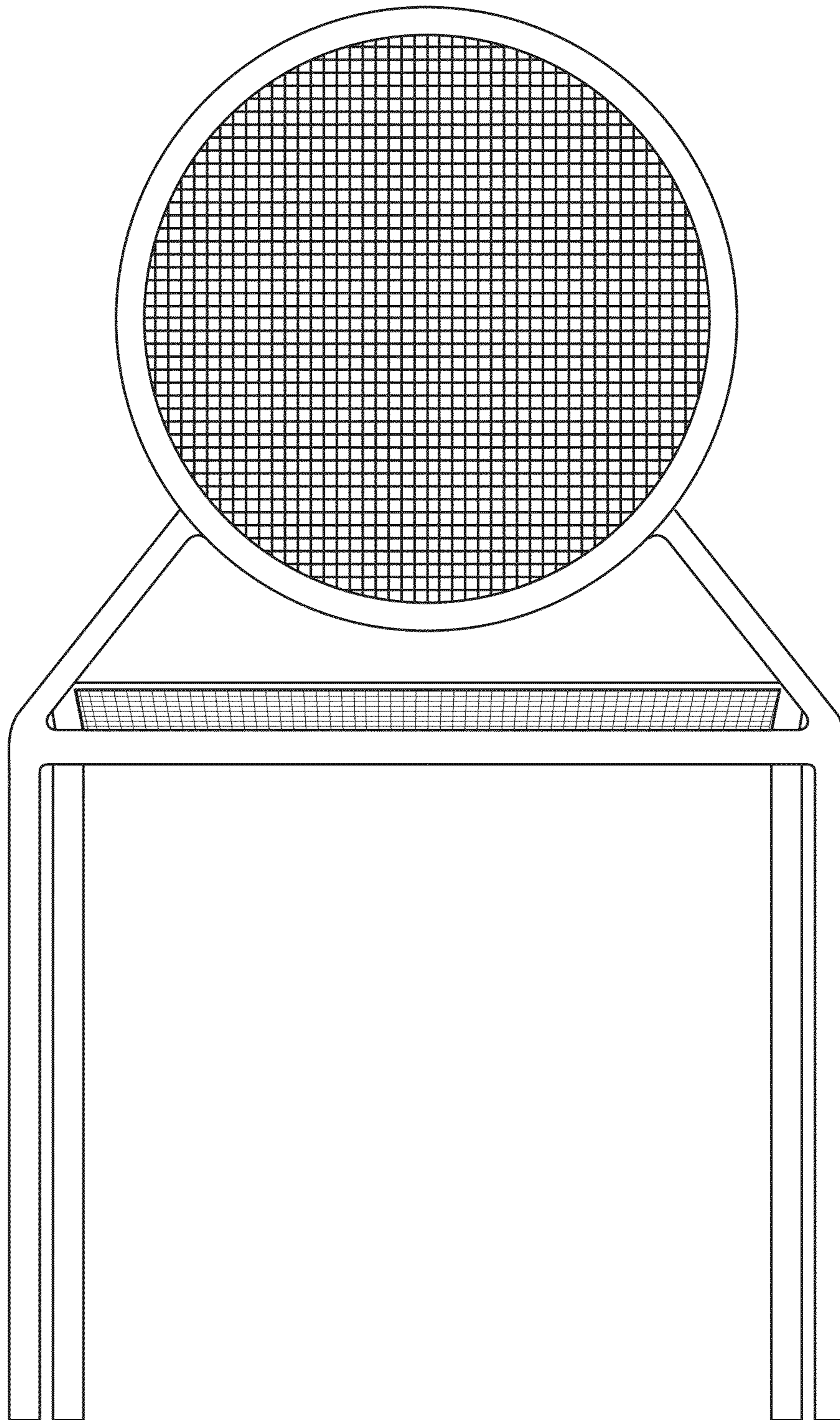


FIG. 3

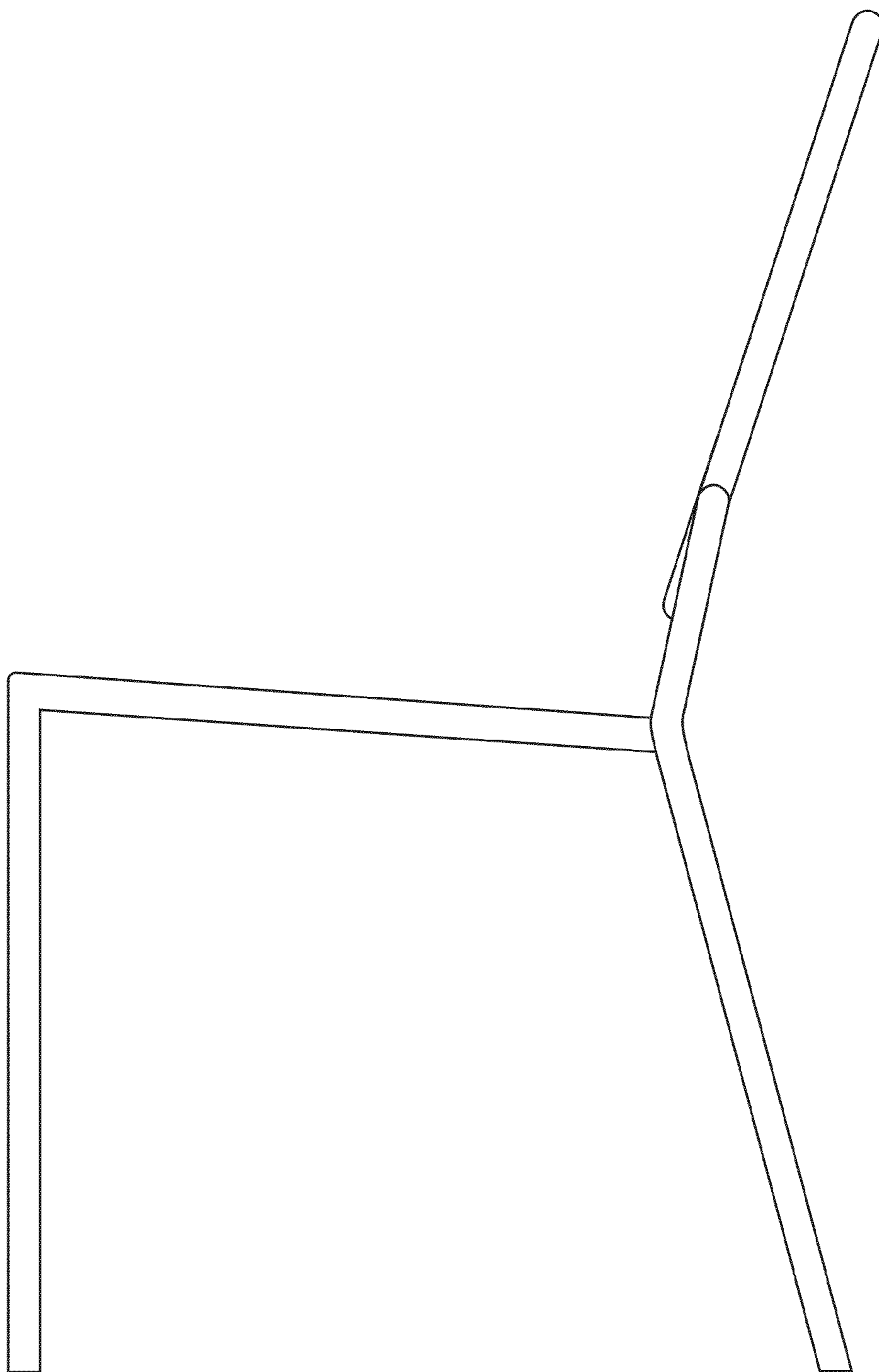


FIG. 4

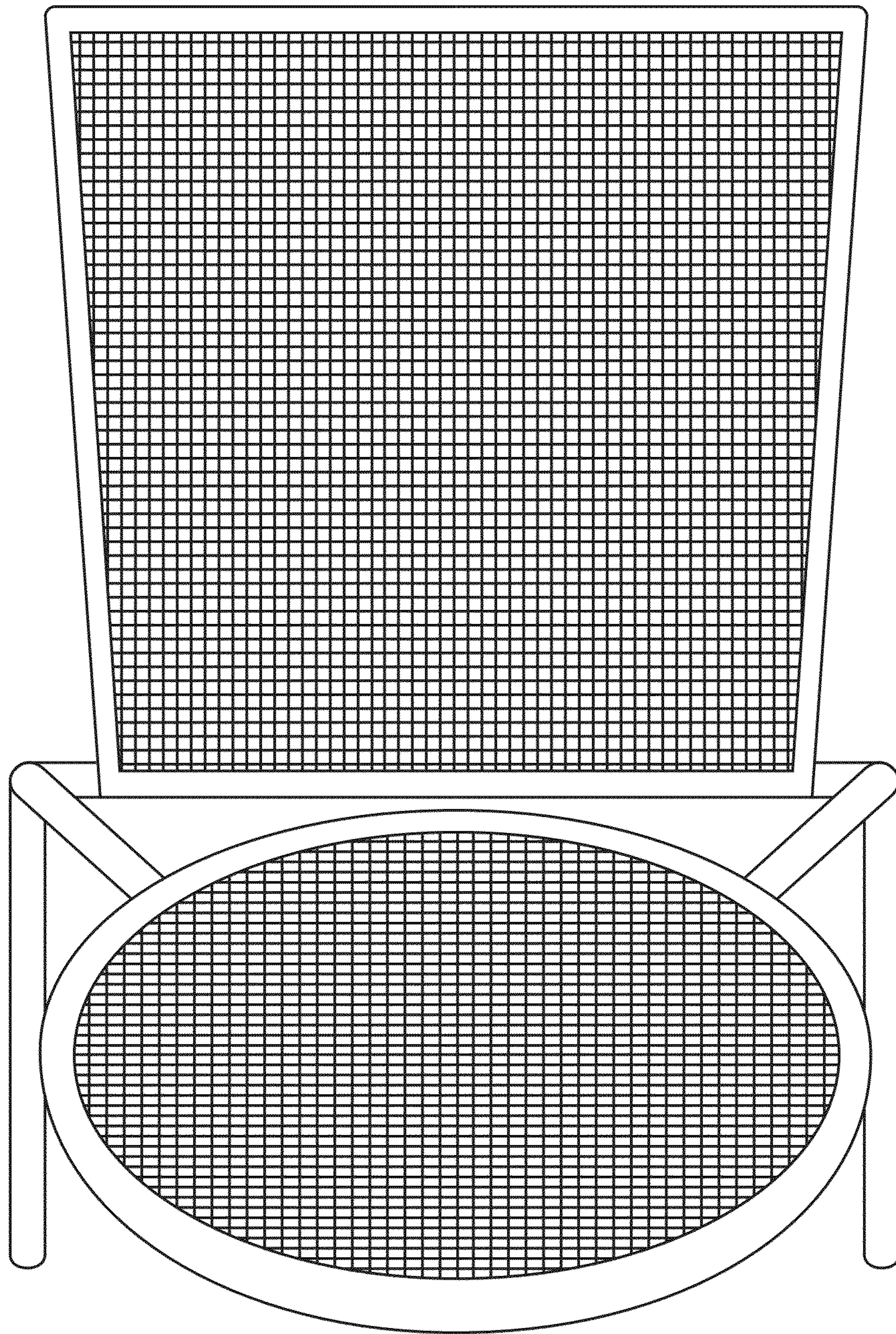


FIG. 5

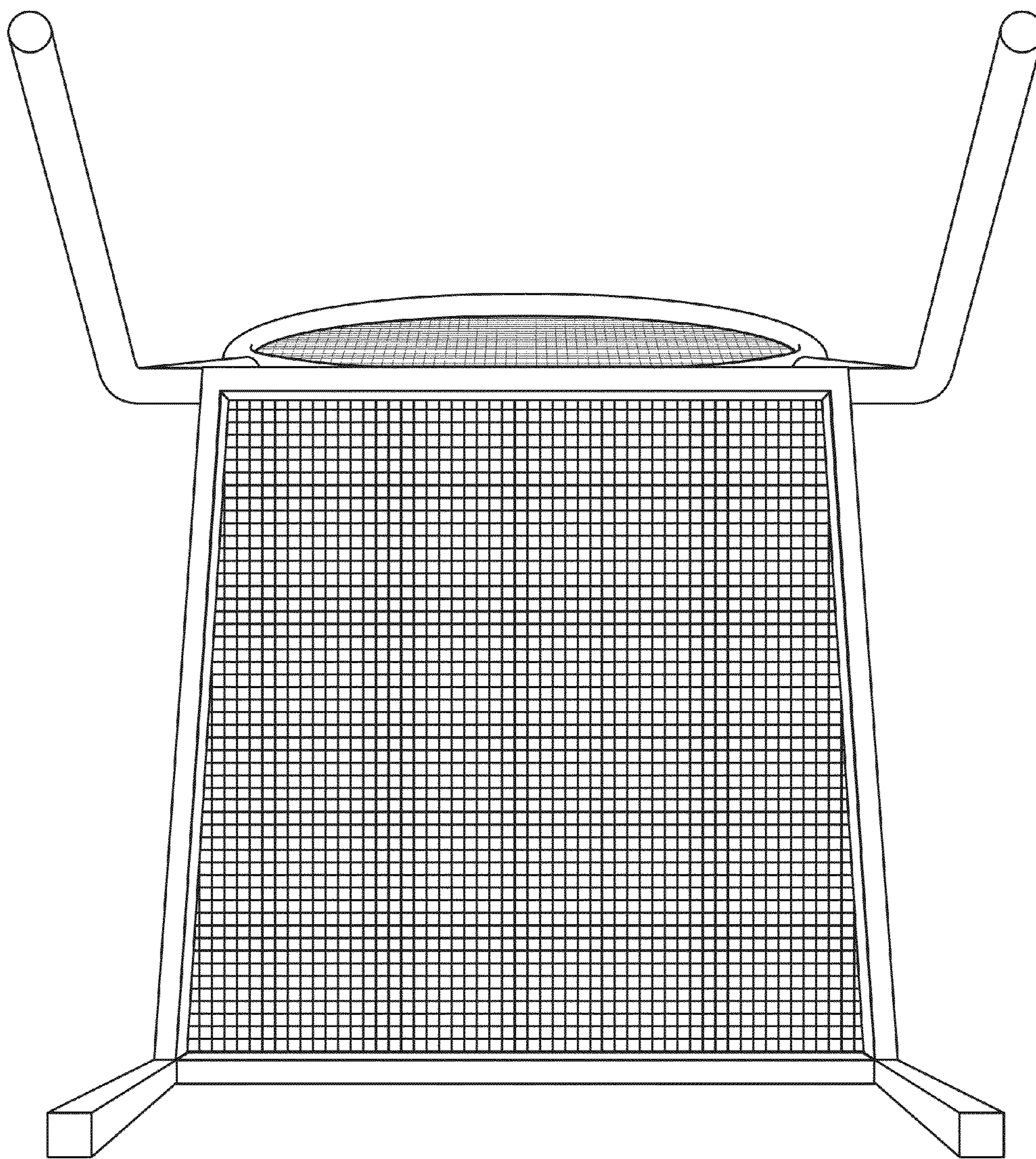


FIG. 6