



US00D686423S

(12) **United States Design Patent**
Salzberger et al.

(10) **Patent No.:** **US D686,423 S**

(45) **Date of Patent:** **** Jul. 23, 2013**

(54) **AIRCRAFT SEAT MODULE**

(75) Inventors: **Claude Salzberger**, New York, NY
(US); **Diego Kolsky**, New York, NY
(US); **Robert McDougle**, New York, NY
(US)

(73) Assignee: **LAN Airlines, S.A.**, Las Condes (CL)

(**) Term: **14 Years**

(21) Appl. No.: **29/427,206**

(22) Filed: **Jul. 16, 2012**

(51) **LOC (9) Cl.** **06-01**

(52) **U.S. Cl.**
USPC **D6/356**

(58) **Field of Classification Search**
USPC D6/334-336, 356, 360, 361, 367,
D6/368, 381, 716, 716.1, 716.2, 716.3, 716.4,
D6/716.5; 297/118, 163, 173, 232, 233, 244,
297/248, 342, 354.1, 354.11, 361.1; 244/118.5,
244/118.6, 122 R, 141

See application file for complete search history.

(56) **References Cited**

U.S. PATENT DOCUMENTS

D487,981 S *	4/2004	Ludeke et al.	D6/356
D493,294 S *	7/2004	Newson	D6/356
D510,816 S *	10/2005	Lee	D6/356
D558,992 S *	1/2008	Bock	D6/356
D591,520 S *	5/2009	Orson et al.	D6/356
D592,412 S *	5/2009	Suge et al.	D6/356
D605,419 S *	12/2009	Suge et al.	D6/356

D611,260 S *	3/2010	Plant	D6/356
8,011,723 B2 *	9/2011	Park et al.	297/118
D649,793 S *	12/2011	Porter et al.	D6/356
D652,643 S *	1/2012	Porter et al.	D6/356
D652,644 S *	1/2012	Porter et al.	D6/356
D656,750 S *	4/2012	Porter et al.	D6/356
D661,116 S *	6/2012	Darbyshire	D6/356
2010/0252680 A1 *	10/2010	Porter	244/118.6
2012/0292957 A1 *	11/2012	Vergnaud et al.	297/232

* cited by examiner

Primary Examiner — Mimosa De

(74) *Attorney, Agent, or Firm* — Finnegan, Henderson, Farabow, Garrett and Dunner, LLP

(57) **CLAIM**

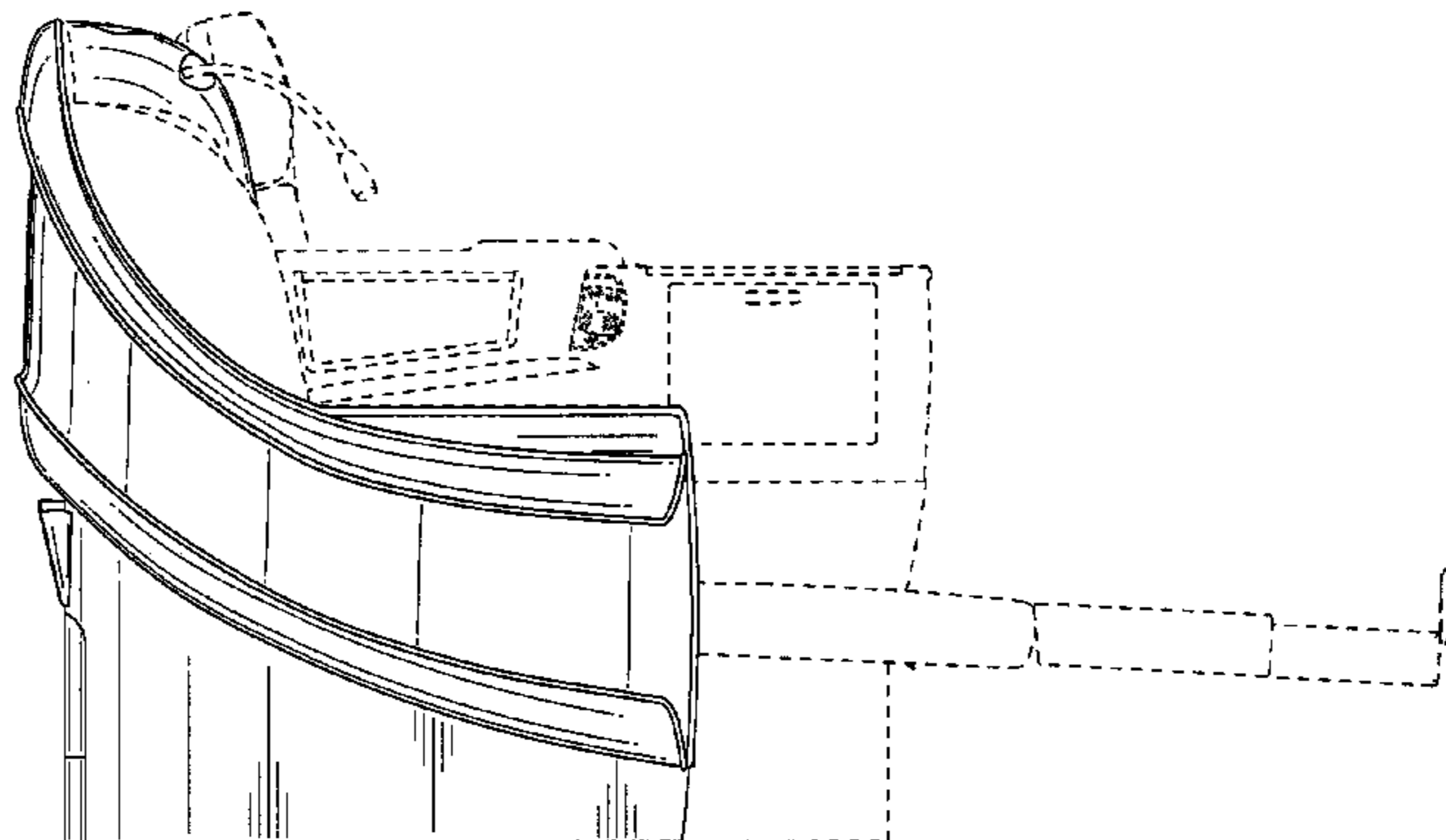
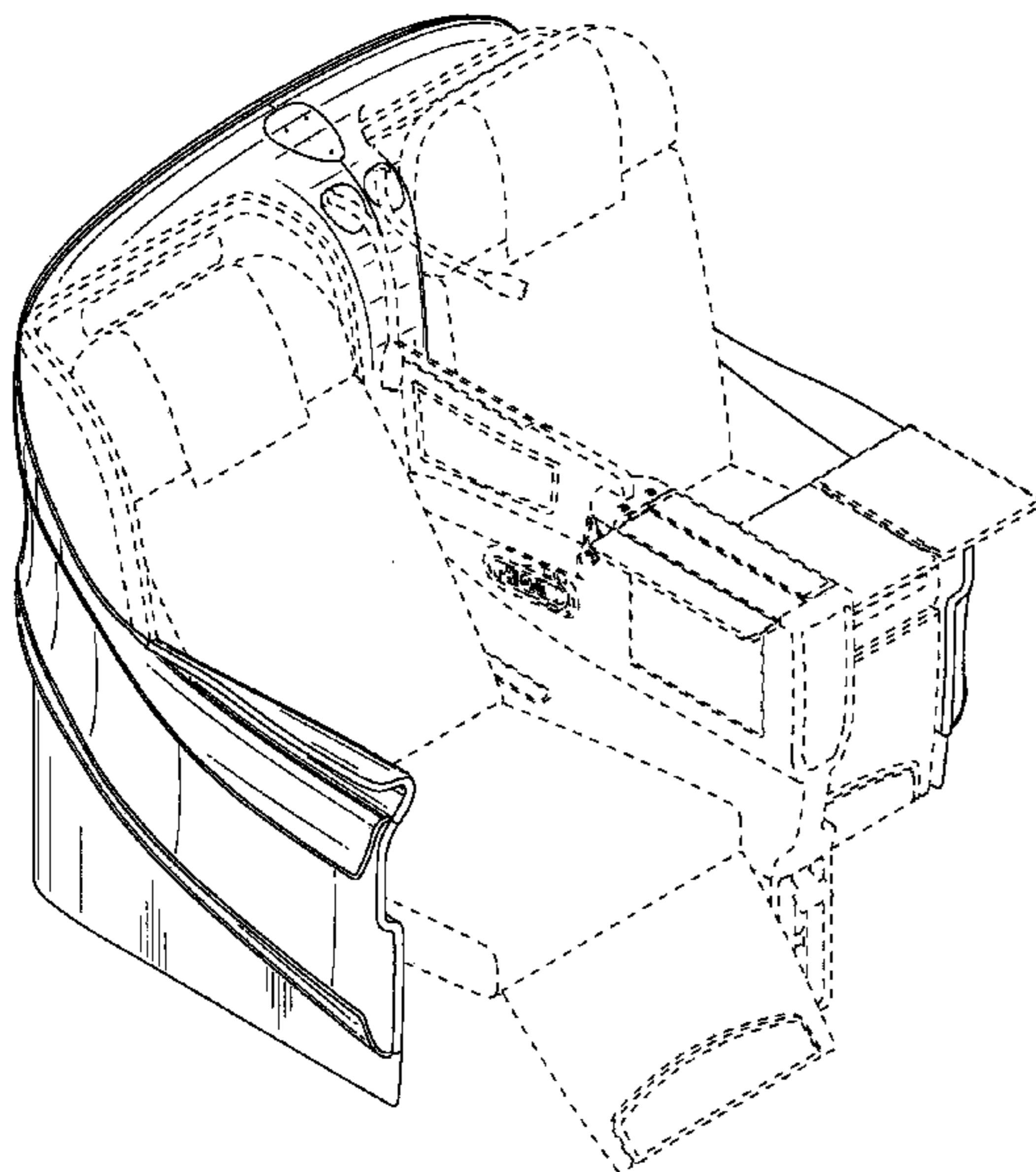
The ornamental design for an aircraft seat module, as shown and described.

DESCRIPTION

FIG. 1 is a front perspective view of an aircraft seat module showing our new design;
FIG. 2 front view thereof;
FIG. 3 is a rear view thereof;
FIG. 4 is a left side elevation view thereof;
FIG. 5 is a right side elevation view thereof; and,
FIG. 6 is a top plan view thereof.

The bottom view forms no part of the claimed design. The portions of the drawings in broken lines are environment and the elements depicted in broken lines form no part of the claimed design.

1 Claim, 6 Drawing Sheets



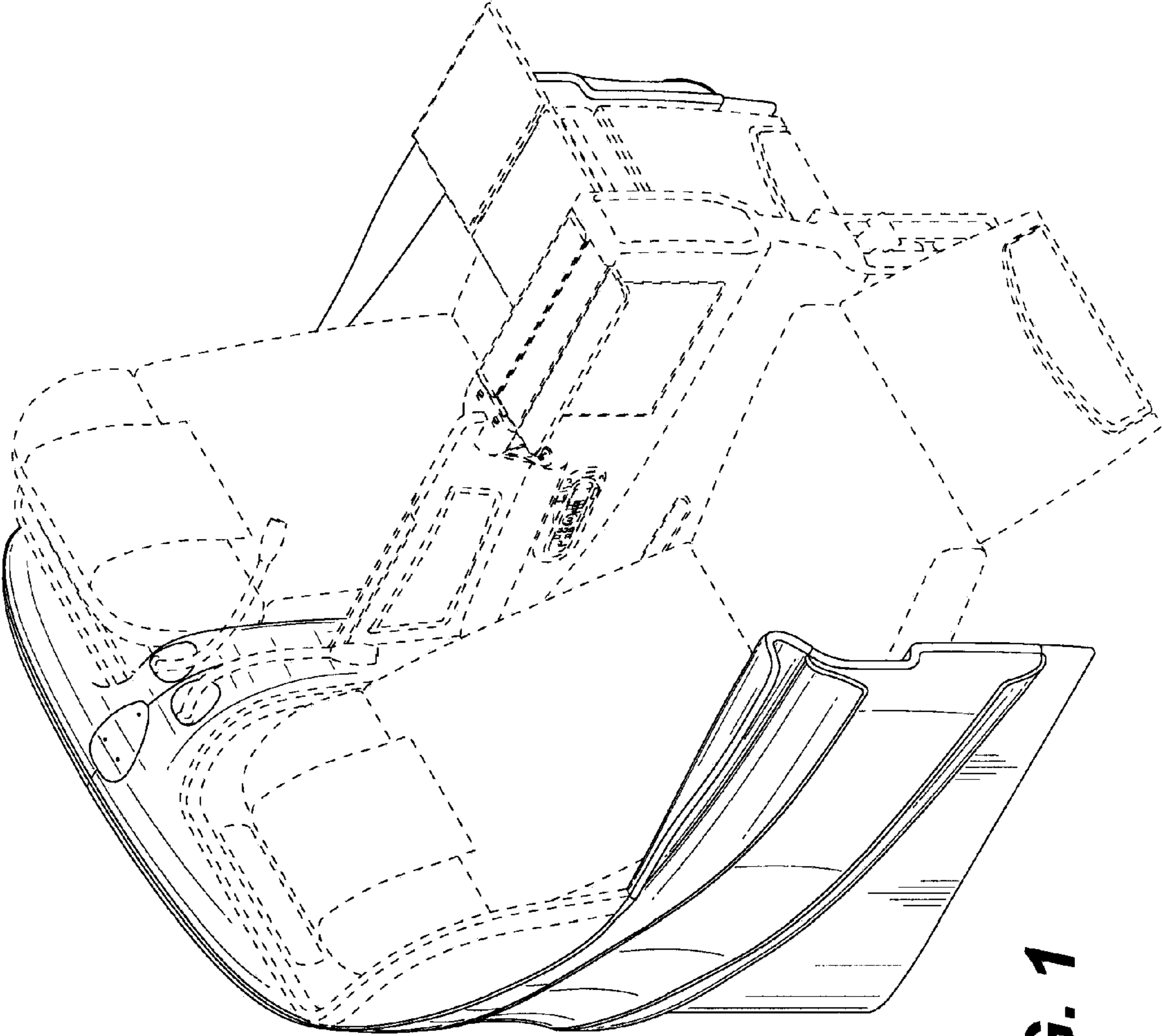


FIG. 1

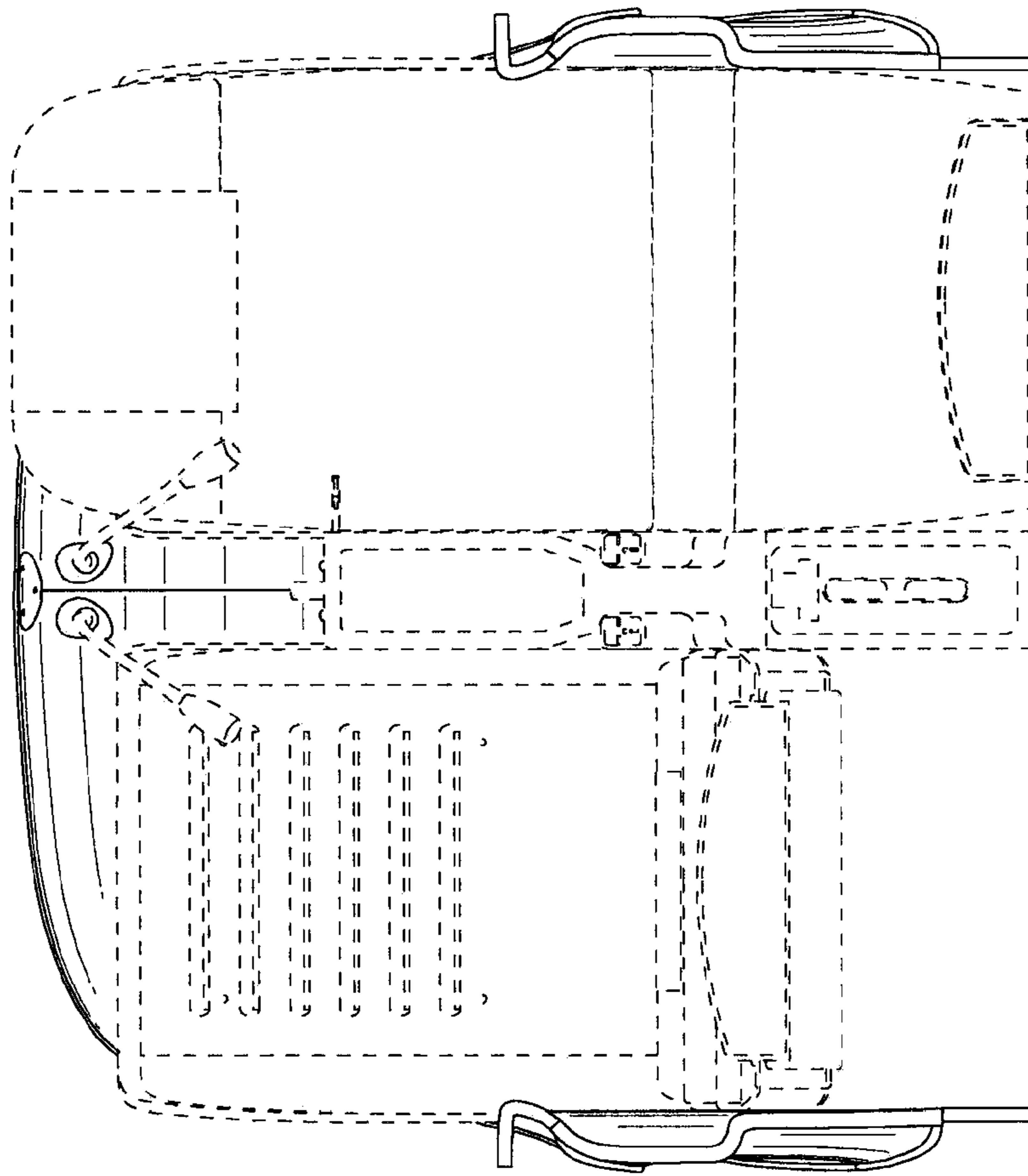


FIG. 2

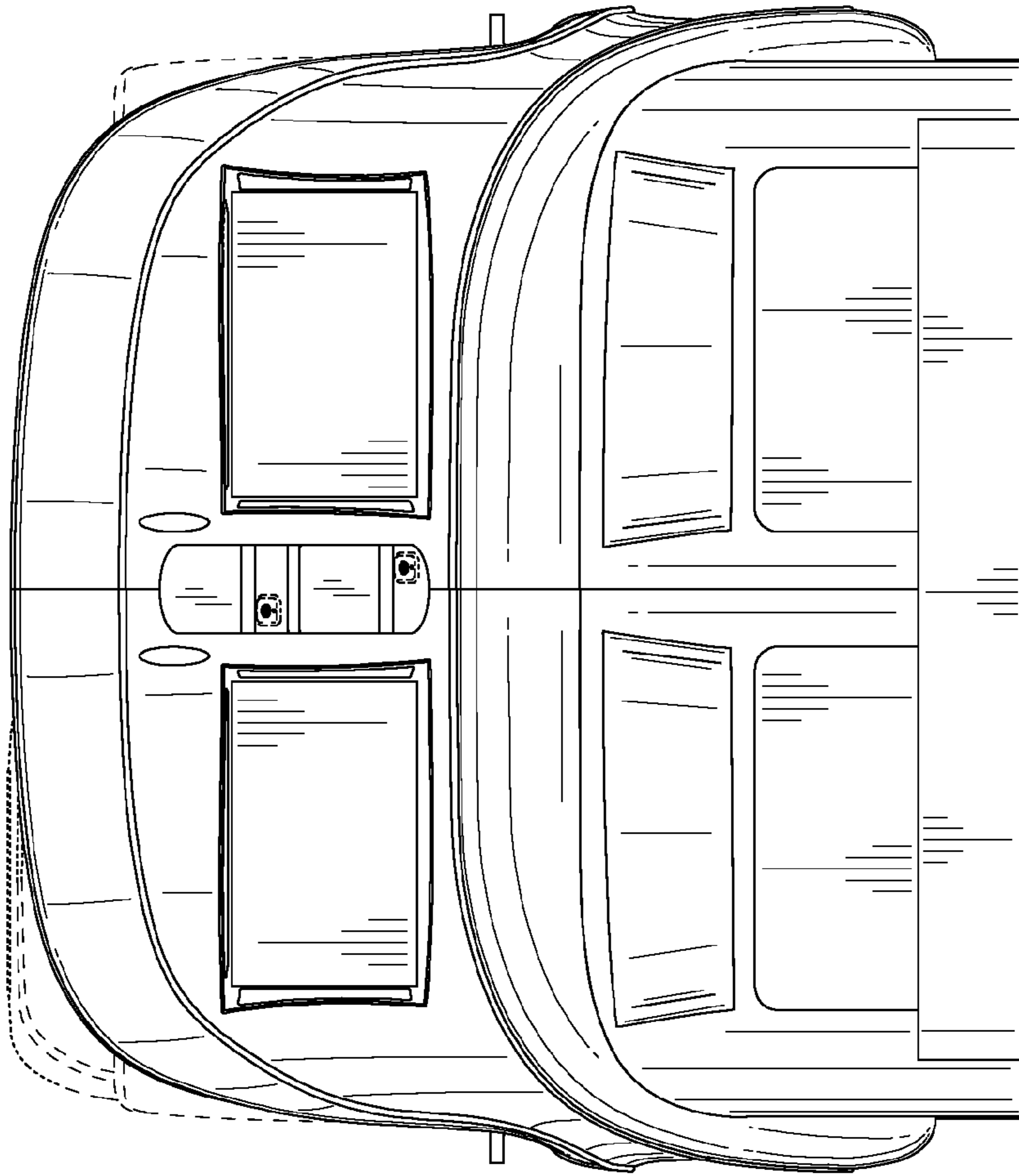


FIG. 3

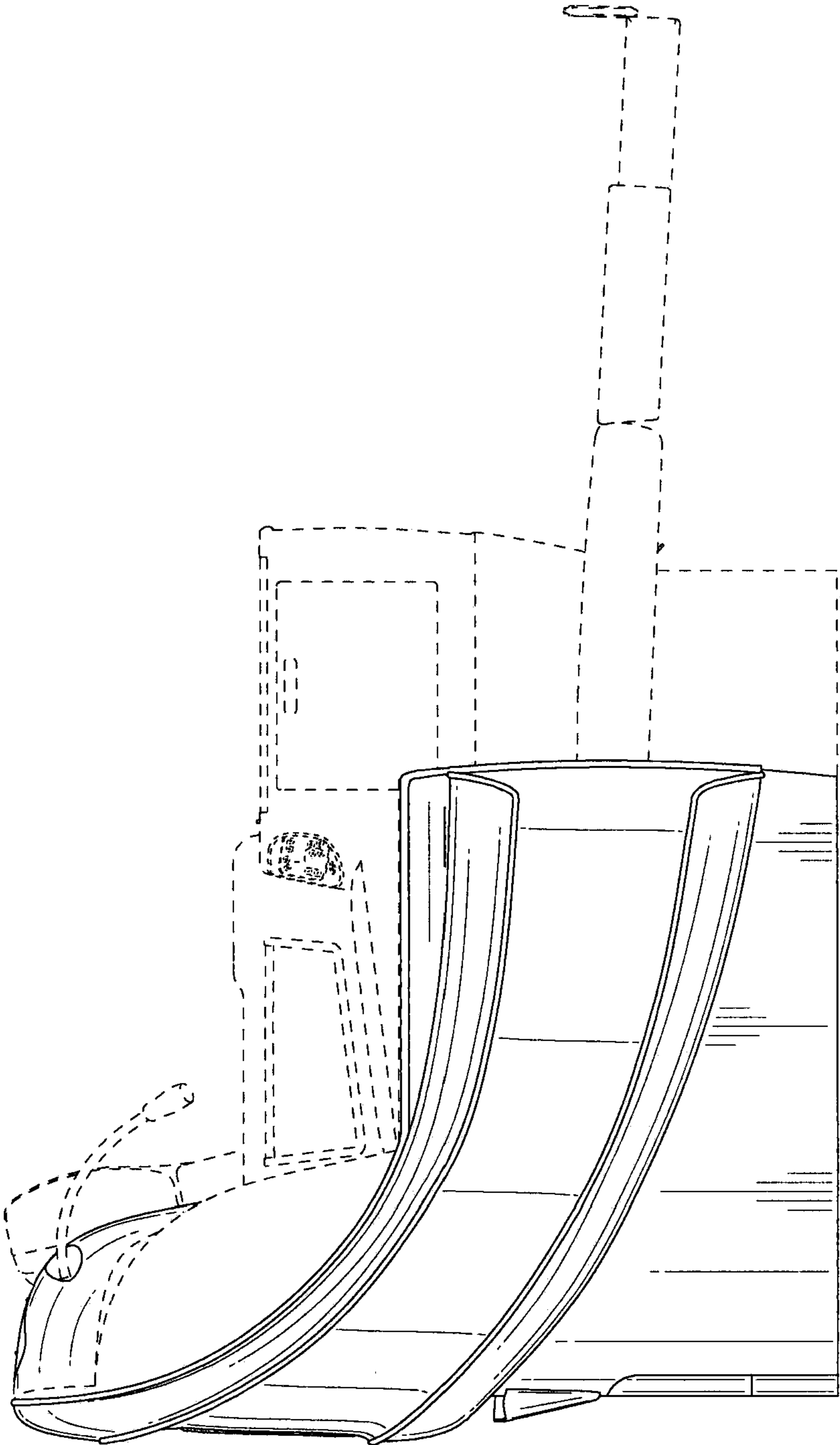


FIG. 4

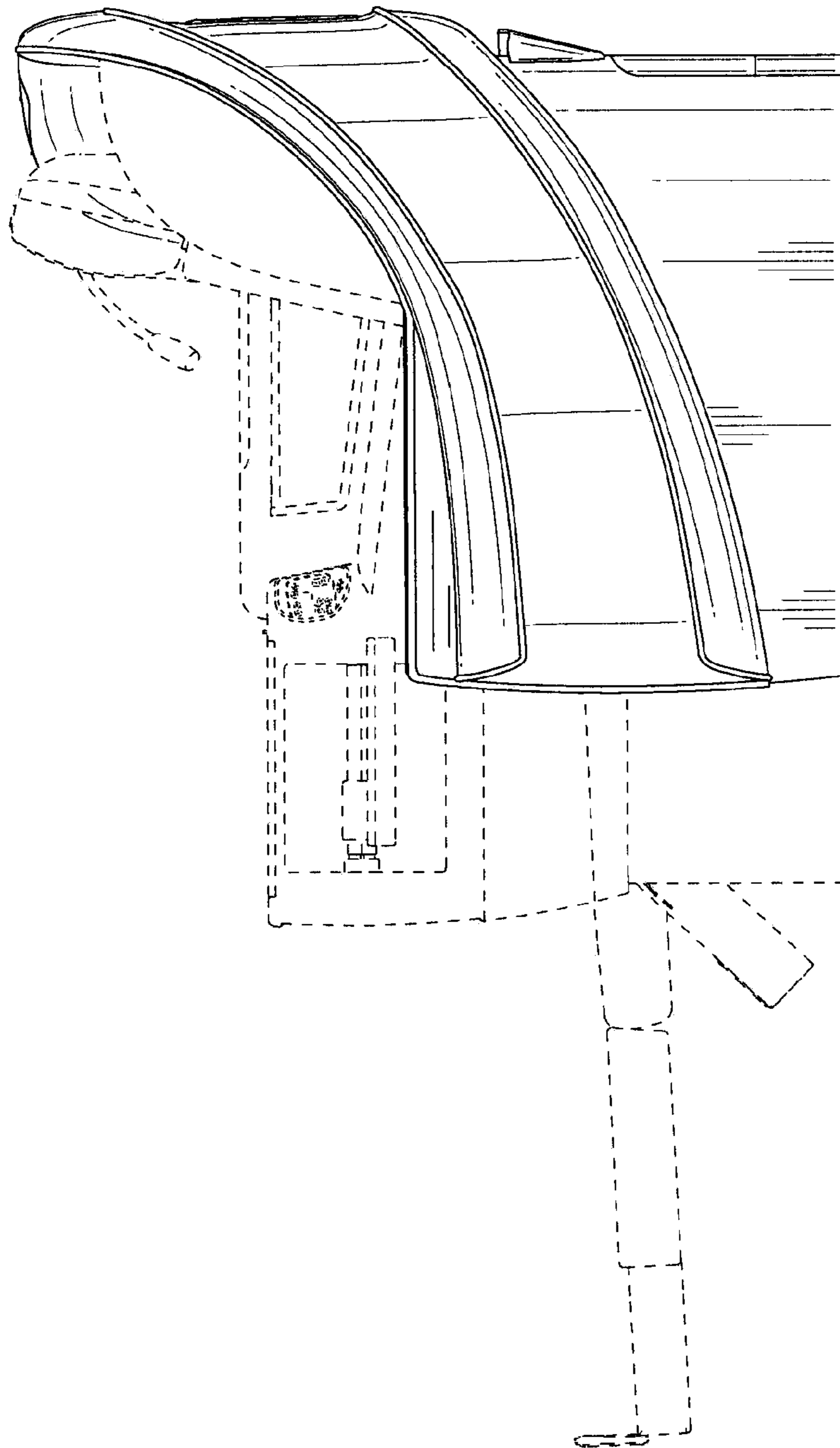


FIG. 5

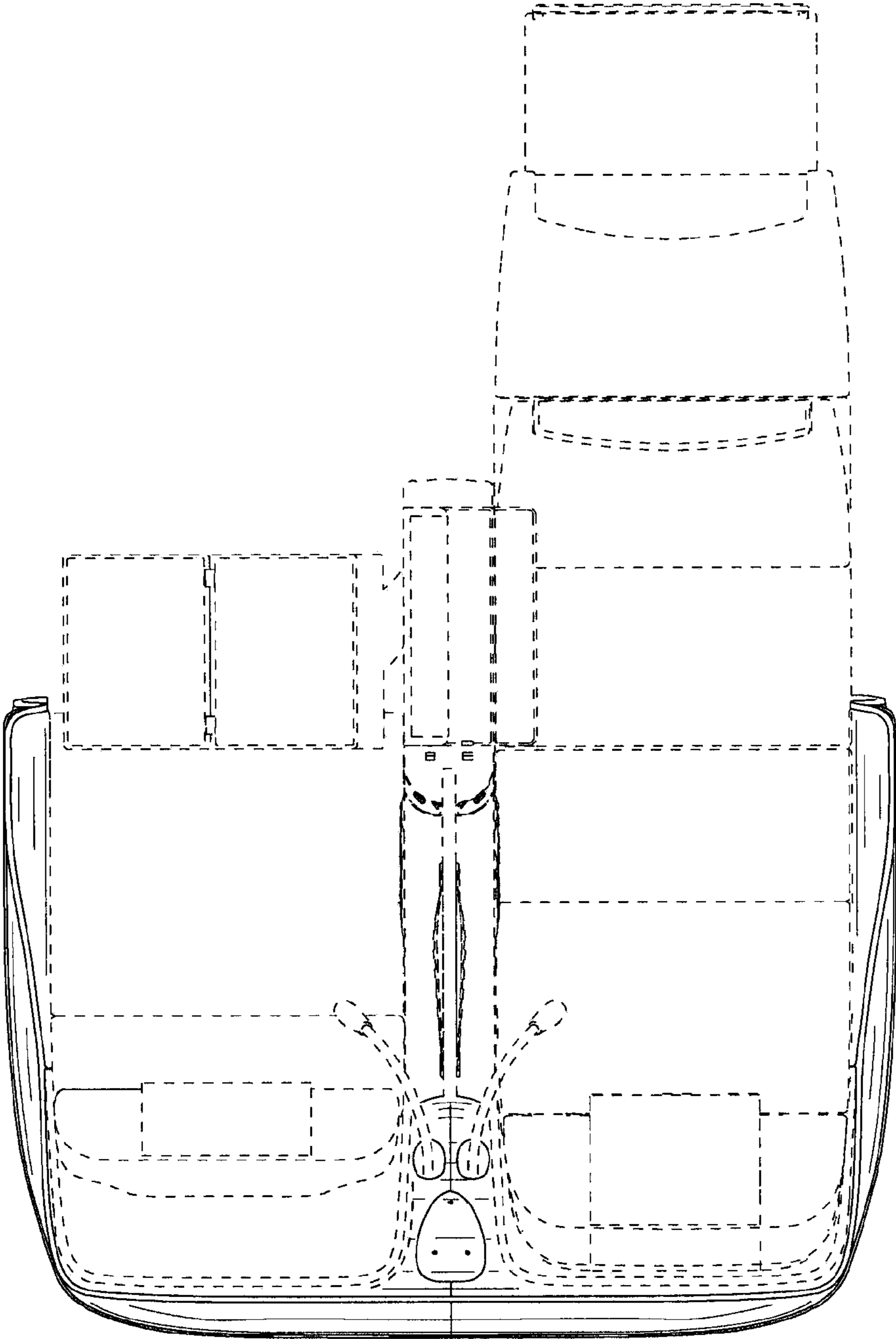


FIG. 6