



US00D686421S

(12) **United States Design Patent**
Hawkins

(10) **Patent No.:** **US D686,421 S**
(45) **Date of Patent:** **** Jul. 23, 2013**

- (54) **DISPLAY RACK**
- (71) Applicant: **Target Brands, Inc.**, Minneapolis, MN (US)
- (72) Inventor: **Laura L. Hawkins**, Minneapolis, MN (US)
- (73) Assignee: **Target Brands, Inc.**, Minneapolis, MN (US)
- (**) Term: **14 Years**
- (21) Appl. No.: **29/433,206**
- (22) Filed: **Sep. 27, 2012**
- (51) **LOC (9) Cl.** **06-01**
- (52) **U.S. Cl.**
USPC **D6/320**
- (58) **Field of Classification Search**
USPC D6/553, 570, 320, 324, 327; 206/77.1; 211/13.1, 86.01, 87.01, 32; D8/349, 354, D8/363, 373, 394
See application file for complete search history.

D240,877	S	*	8/1976	Letkof	D6/324
5,086,931	A		2/1992	Cobb		
D338,126	S	*	8/1993	Callaway	D6/324
5,538,144	A		7/1996	Reed		
5,624,041	A		4/1997	Van Druff, Jr. et al.		
5,772,049	A	*	6/1998	Randone	211/32
6,112,909	A		9/2000	Moseley		
6,578,716	B1		6/2003	Wei		
D493,963	S	*	8/2004	Alves	D6/320
6,808,146	B2		10/2004	Swan		
7,168,577	B1		1/2007	Moseley		
D600,925	S	*	9/2009	Guffey et al.	D6/327
D627,570	S		11/2010	Simmons		
7,959,018	B2		6/2011	Flickinger		
D647,710	S		11/2011	Anderson		
D658,416	S	*	5/2012	Strickland	D6/553
2007/0039903	A1		2/2007	Aiken		
2009/0283485	A1		11/2009	Anderson		

* cited by examiner

Primary Examiner — Brian N Vinson
(74) *Attorney, Agent, or Firm* — Leanne Taveggia Farrell; Westman, Champlin & Kelly, P.A.

(57) **CLAIM**
I claim the ornamental design for a display rack, as shown and described.

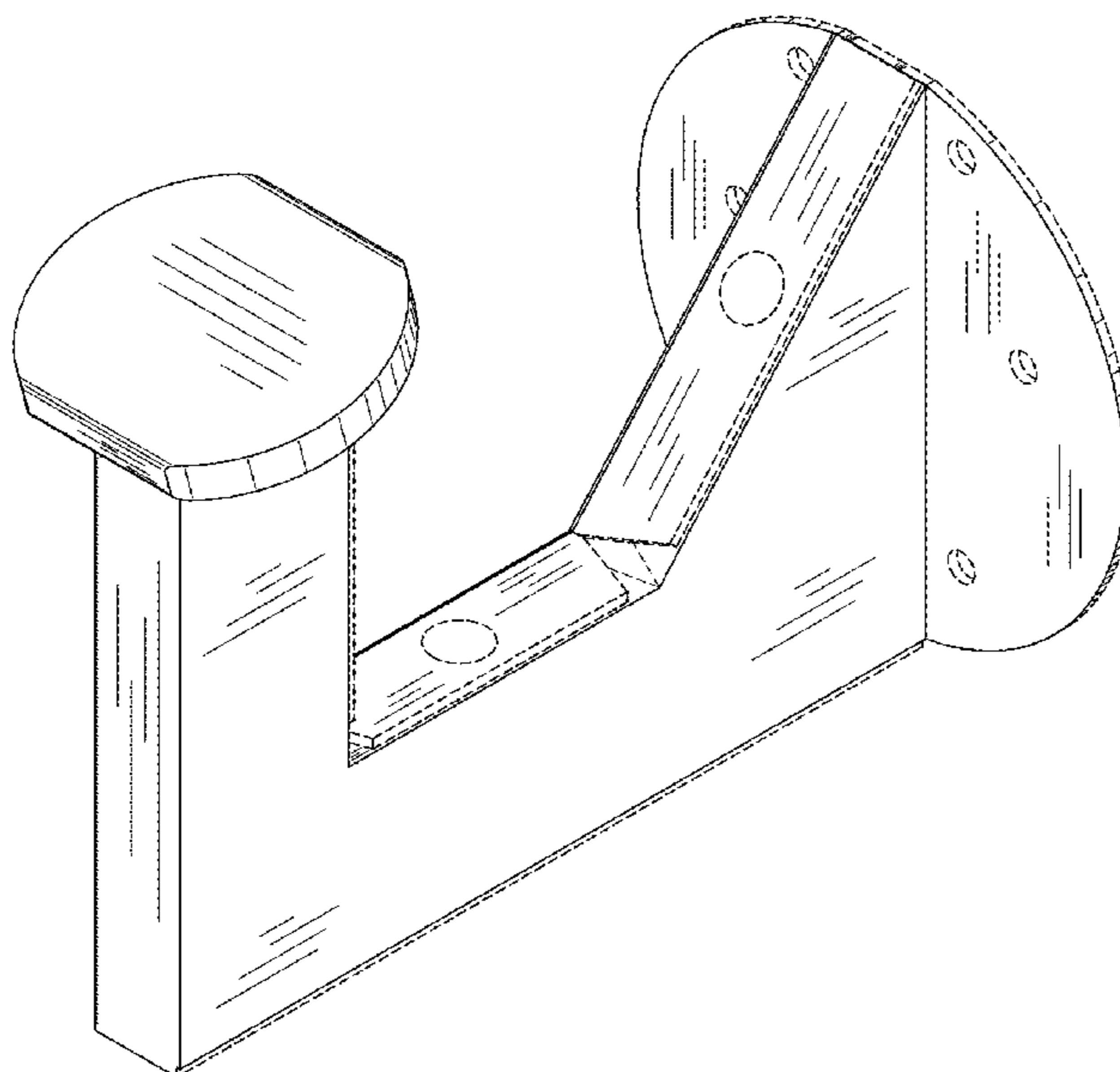
(56) **References Cited**

U.S. PATENT DOCUMENTS		
807,904	A	12/1905 Billings
1,091,812	A	3/1914 Corthell
1,171,198	A	2/1916 Hellberg
1,782,302	A	11/1930 Harvey
1,882,727	A	10/1932 Augustin
1,953,396	A	4/1934 Dunn
2,034,924	A	3/1936 Simon
D151,372	S	10/1948 Keefer
2,941,669	A	6/1960 Palay et al.
3,740,013	A	6/1973 Bentley et al.

DESCRIPTION

FIG. 1 is a perspective view of a display rack;
FIG. 2 is a front view thereof;
FIG. 3 is a right side view thereof;
FIG. 4 is a top view thereof;
FIG. 5 is a bottom view thereof; and,
FIG. 6 is a left side view thereof.
The broken-line disclosure represent portions of the rack which form no part of the claimed design.

1 Claim, 6 Drawing Sheets



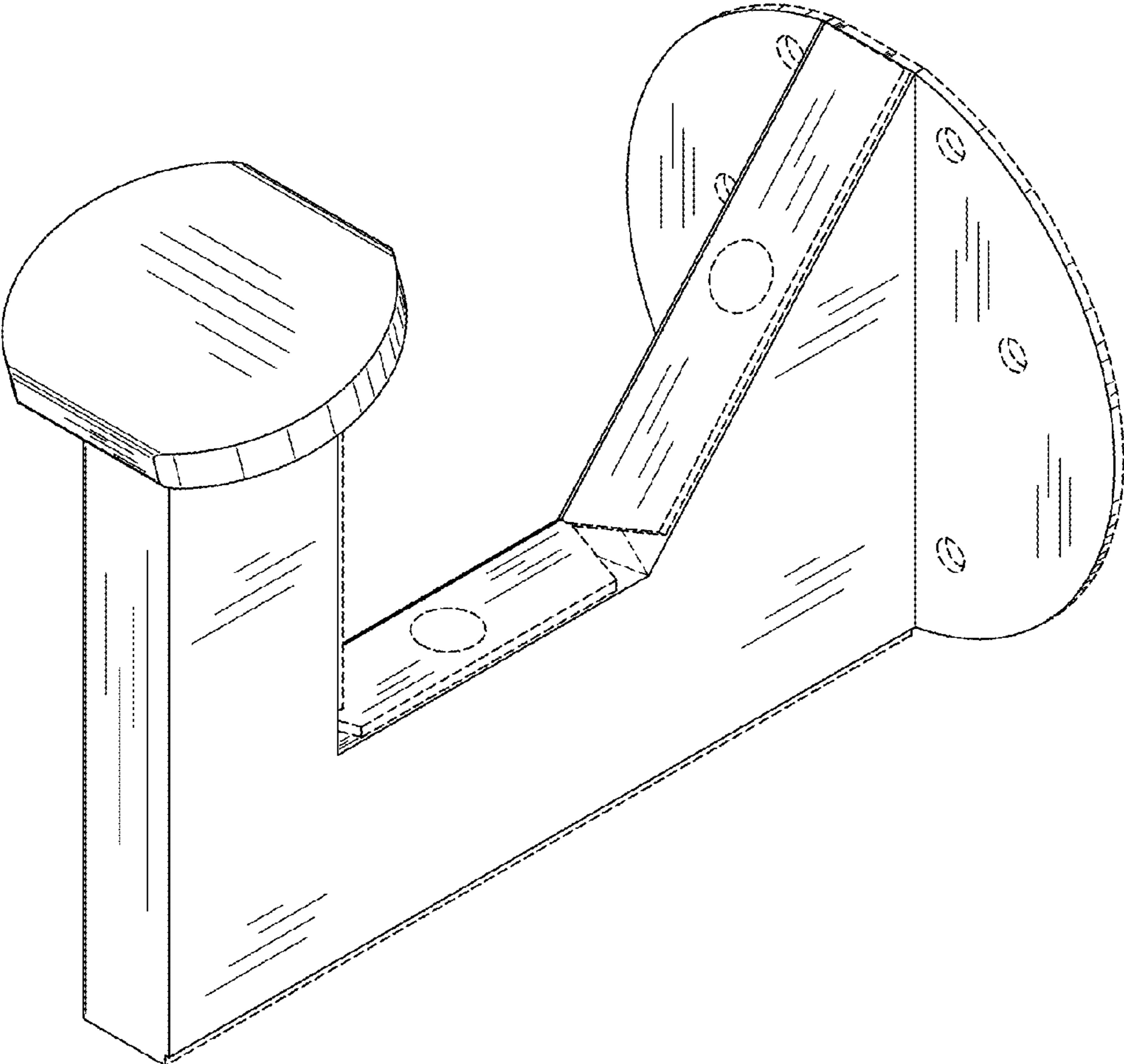


FIG. 1

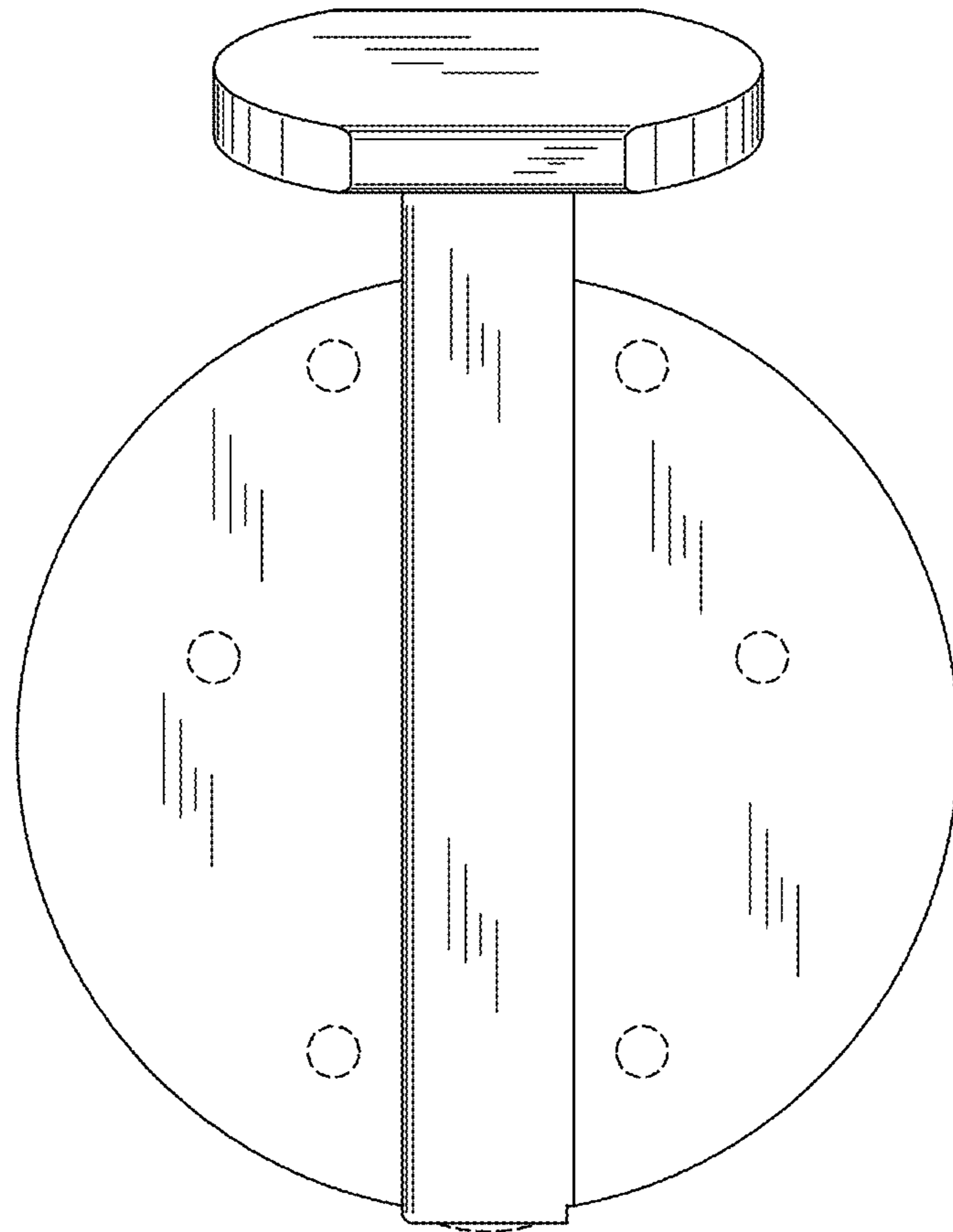


FIG. 2

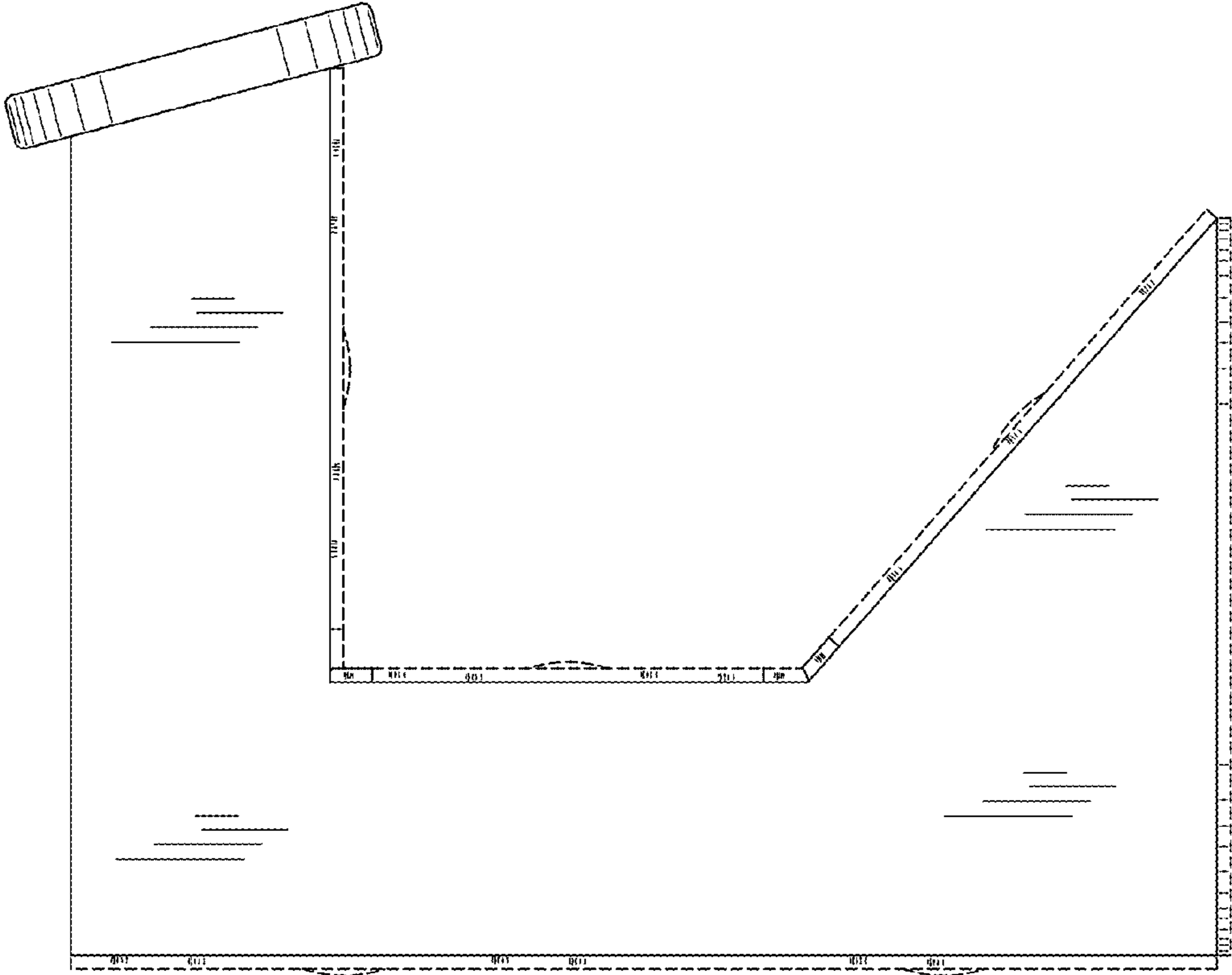


FIG. 3

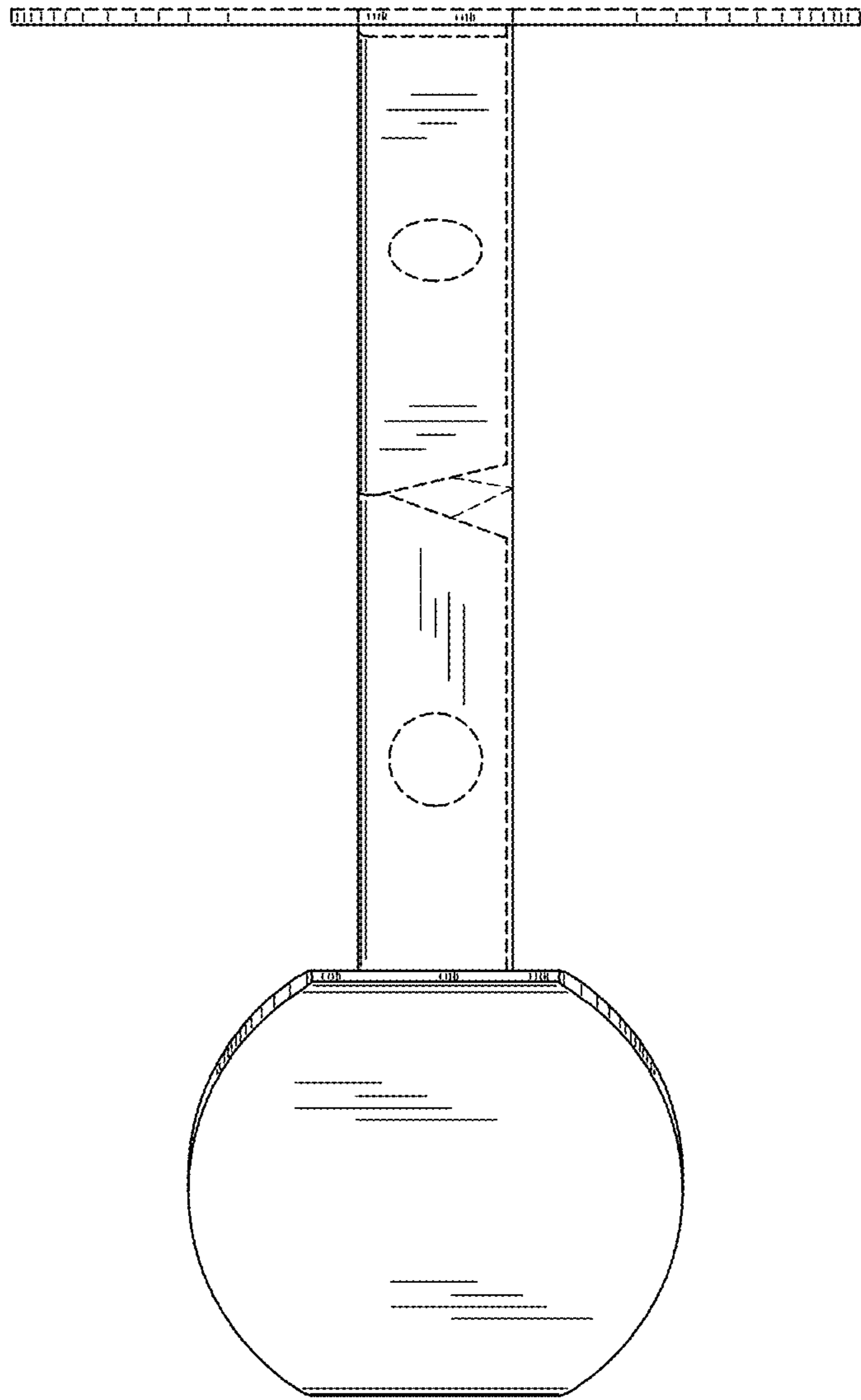


FIG. 4

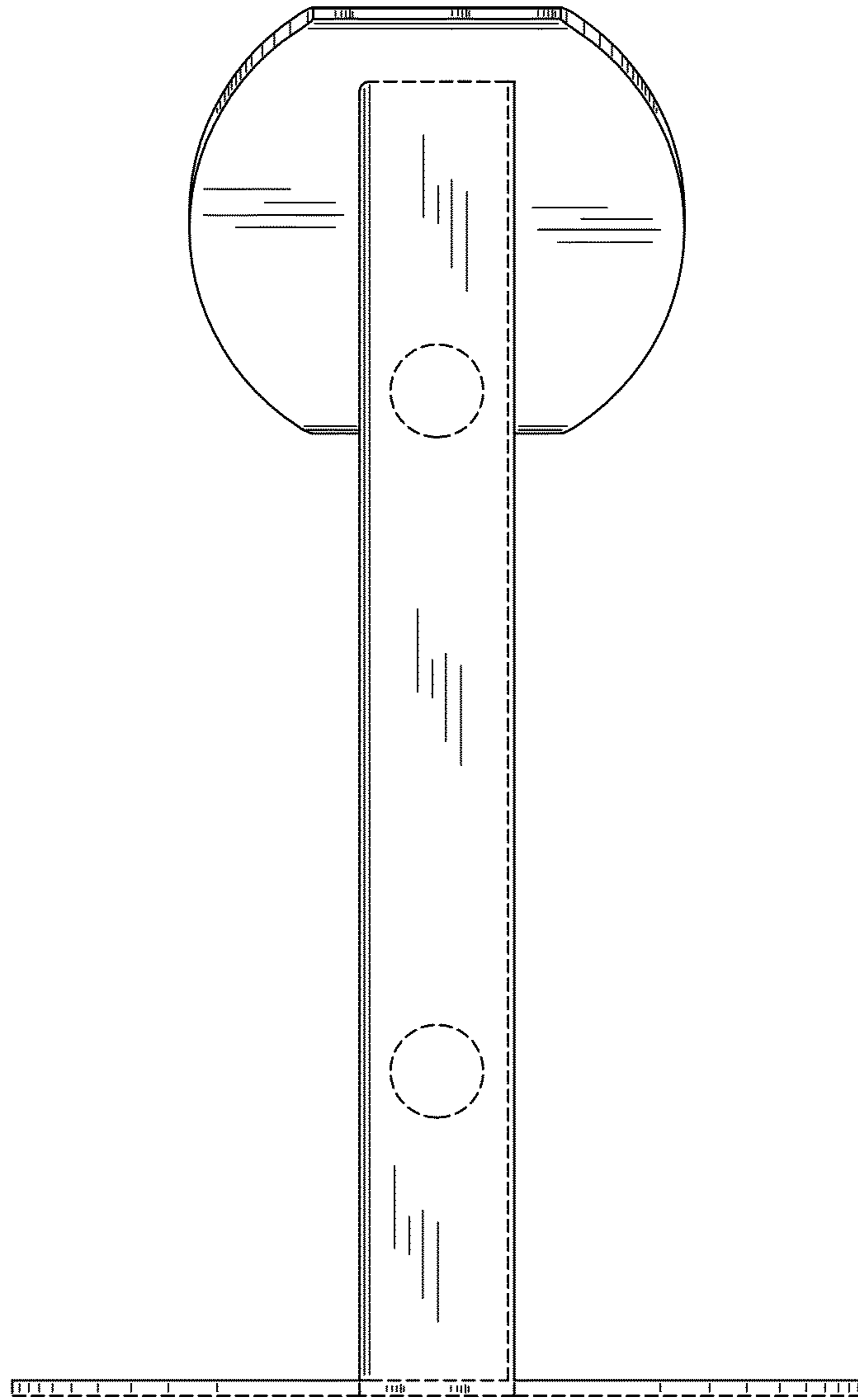


FIG. 5

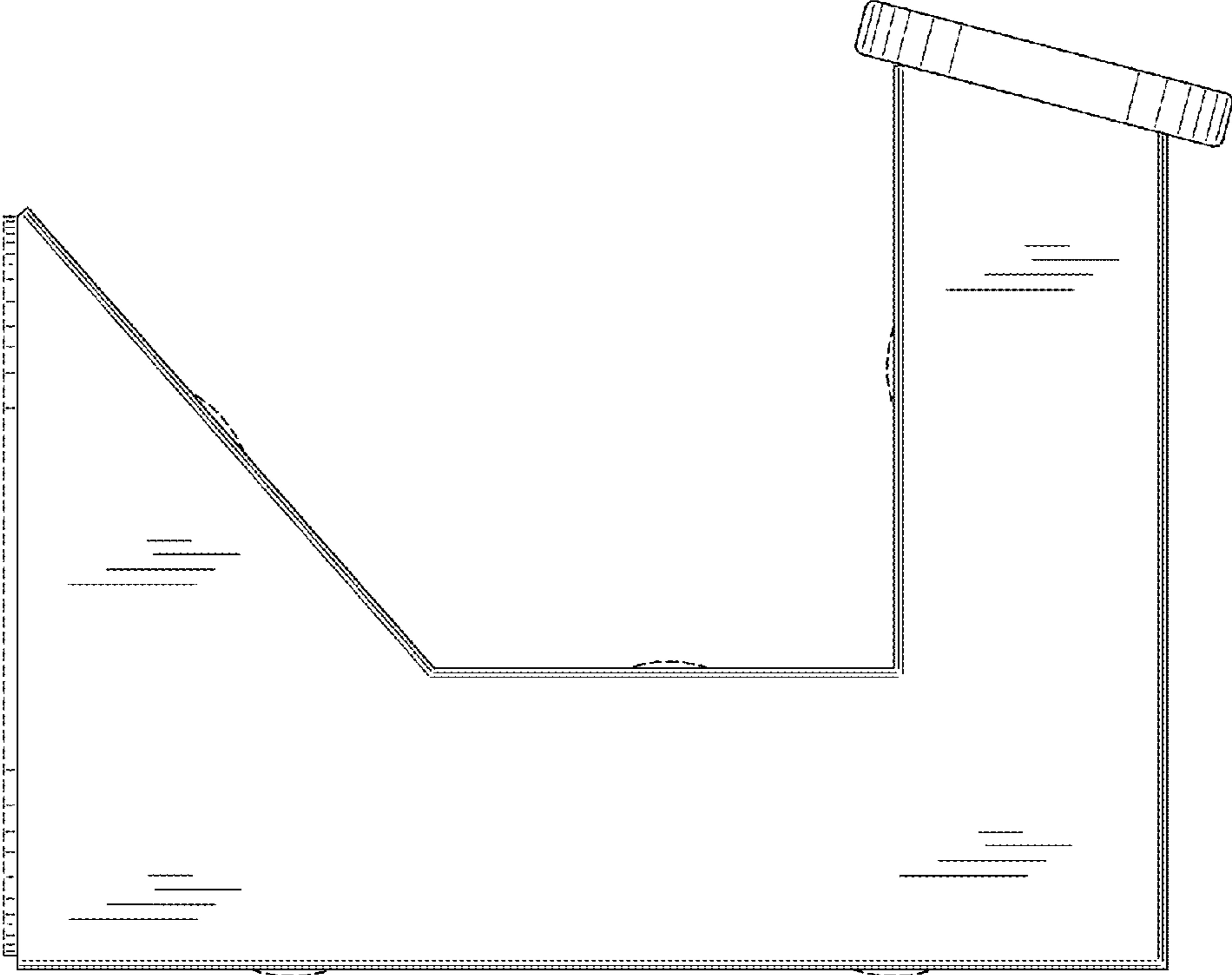


FIG. 6