



US00D686420S

(12) **United States Design Patent**
Beach

(10) **Patent No.:** **US D686,420 S**

(45) **Date of Patent:** **** Jul. 23, 2013**

- (54) **EASEL**
- (75) **Inventor:** **Zoe Beach**, Berkeley, CA (US)
- (73) **Assignee:** **Restoration Hardware, Inc.**, Corte Madera, CA (US)
- (**) **Term:** **14 Years**
- (21) **Appl. No.:** **29/429,747**
- (22) **Filed:** **Aug. 15, 2012**
- (51) **LOC (9) Cl.** **06-07**
- (52) **U.S. Cl.**
USPC **D6/310**
- (58) **Field of Classification Search**
USPC D6/300, 462, 312; 248/449, 460,
248/448, 456, 454, 455, 441.1; D19/52
See application file for complete search history.

4,610,414 A *	9/1986	Schuck	248/449
D296,160 S *	6/1988	Rhodes	D6/300
5,004,204 A *	4/1991	Cook	248/449
5,494,251 A *	2/1996	Katz	248/449
D367,767 S *	3/1996	Rhodes	D6/312
6,745,988 B2 *	6/2004	Gelfand	248/460
D535,826 S *	1/2007	Toghanian	D6/300
D648,570 S *	11/2011	Koh	D6/462

* cited by examiner

Primary Examiner — Philip S Hyder
Assistant Examiner — Sydney Buffalow
(74) *Attorney, Agent, or Firm* — Lewis and Roca LLP

(57) **CLAIM**
The ornamental design for an easel, as shown and described.

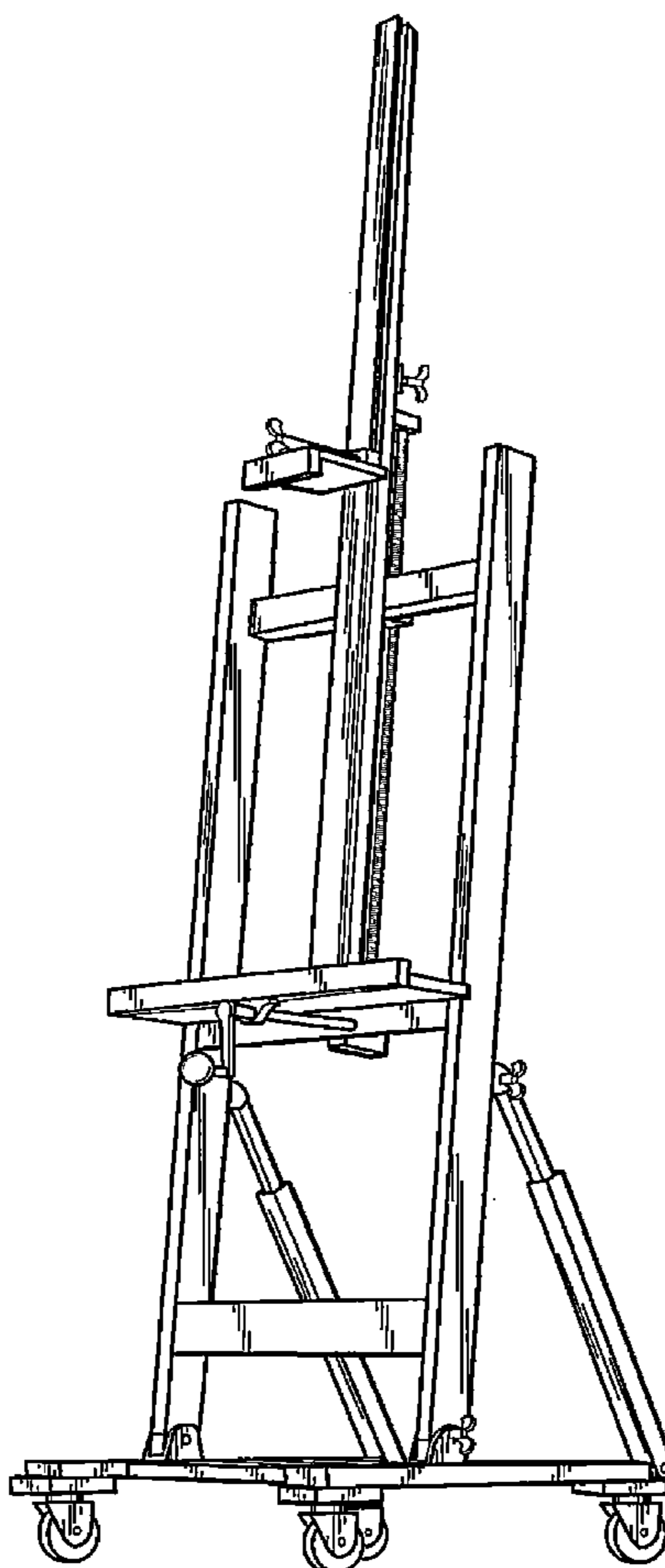
DESCRIPTION

FIG. 1 is a perspective view of an embodiment of an easel showing my new design;
FIG. 2 is a front view thereof;
FIG. 3 is a right side view (left side view is a mirror image thereof);
FIG. 4 is a top view thereof; and,
FIG. 5 is a rear view thereof.

1 Claim, 3 Drawing Sheets

- (56) **References Cited**

U.S. PATENT DOCUMENTS
2,059,525 A * 11/1936 Huelsdonk 248/449
3,006,107 A * 10/1961 Tolegian 248/449
D271,454 S * 11/1983 Forte D6/312



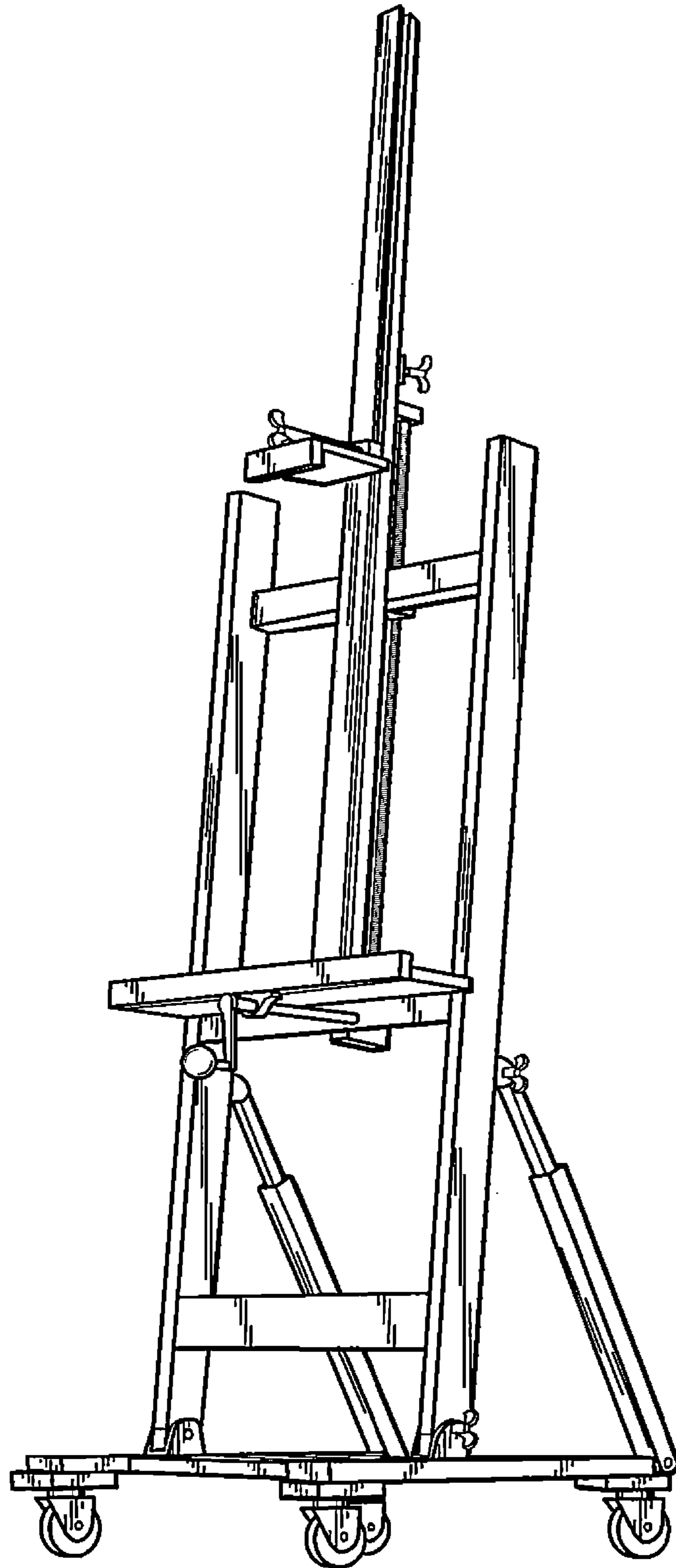


FIG. 1

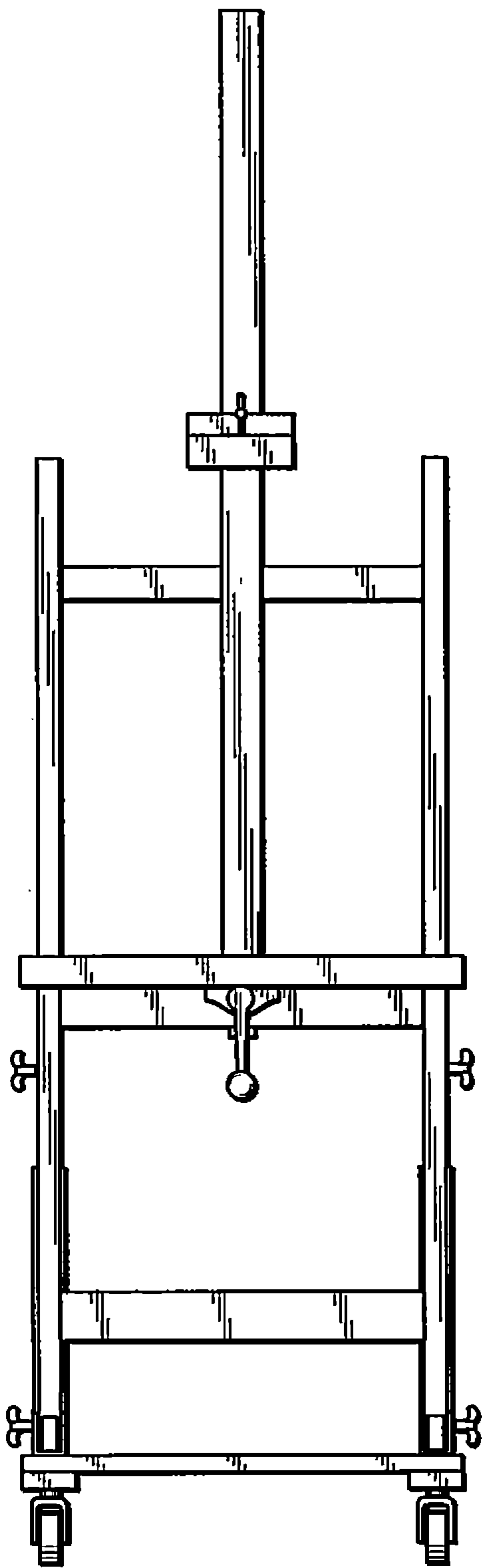


FIG. 2

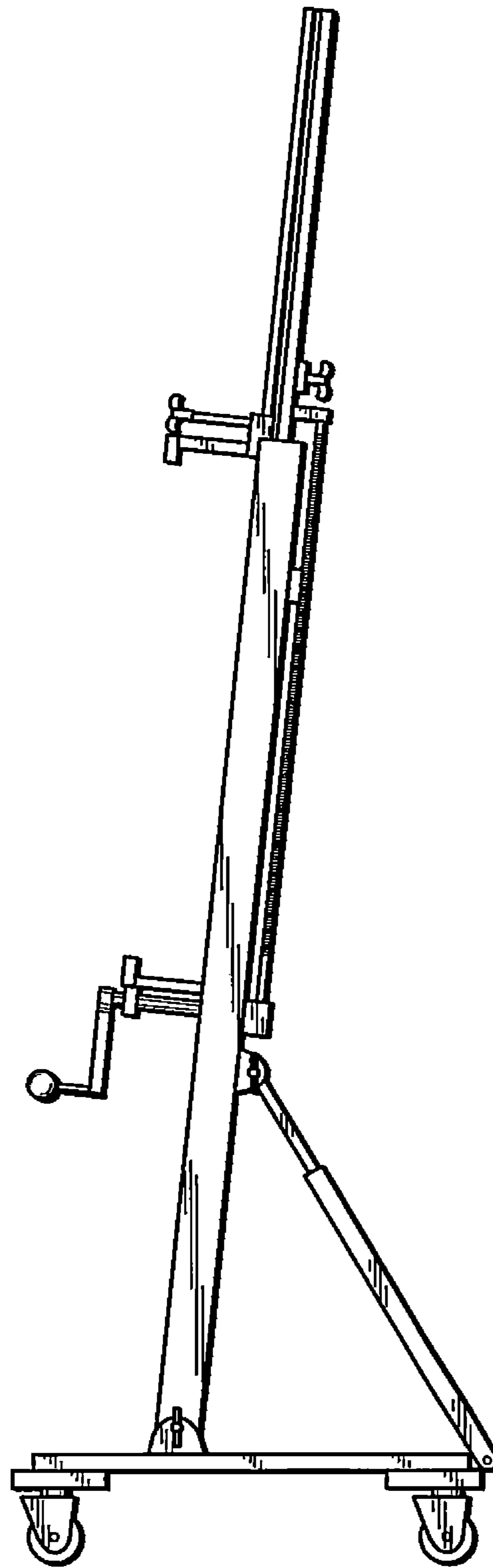


FIG. 3

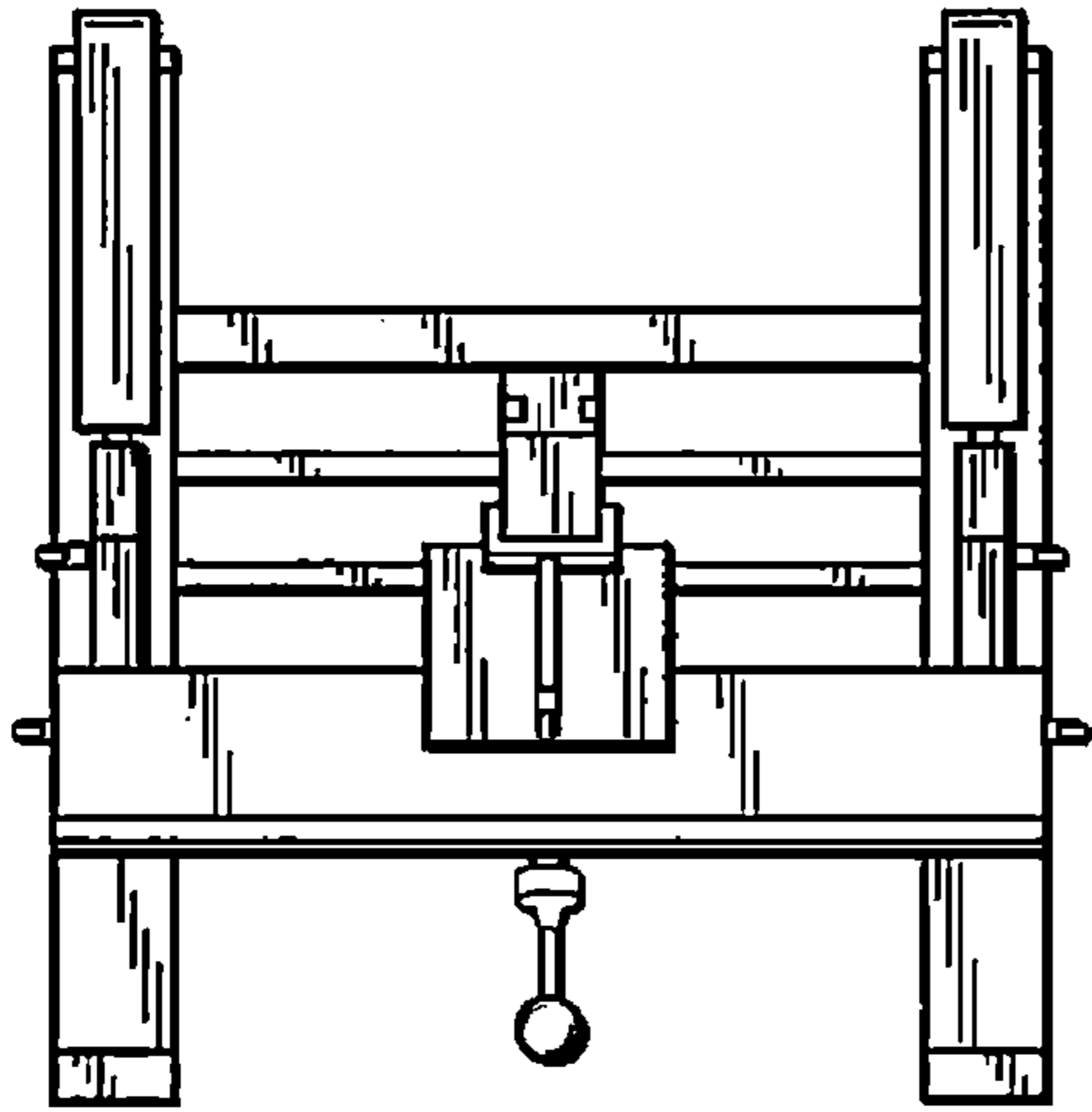


FIG. 4

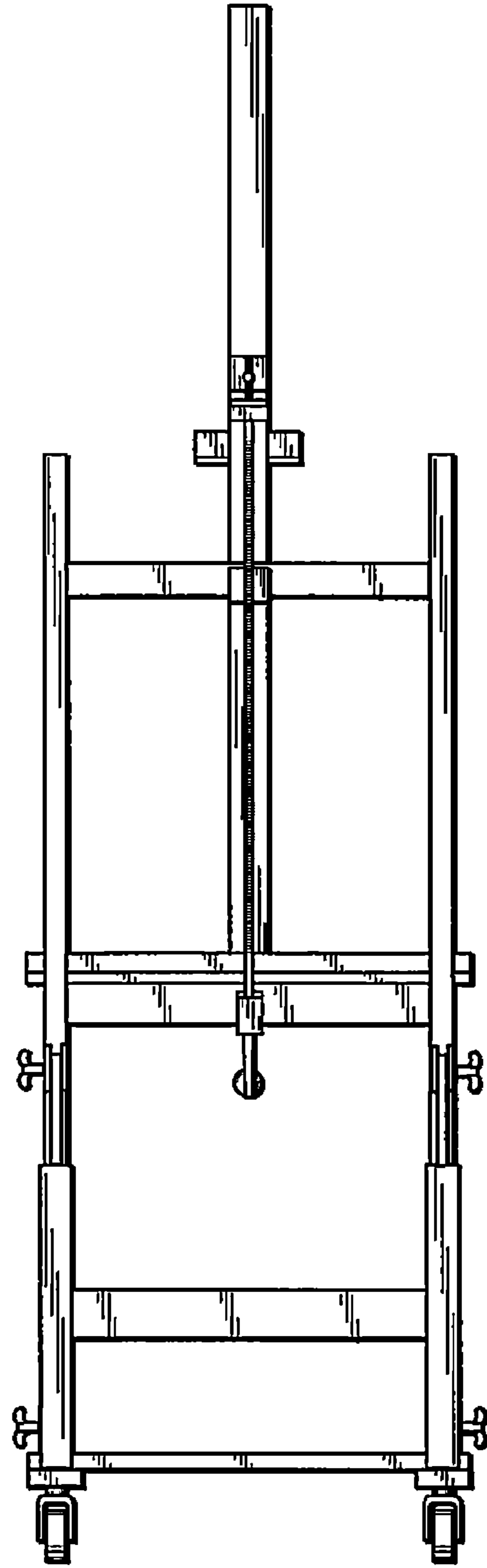


FIG. 5