



US00D686419S

(12) **United States Design Patent**
Smith et al.

(10) **Patent No.:** **US D686,419 S**
(45) **Date of Patent:** **** Jul. 23, 2013**

(54) **WALL MOUNT**

(75) Inventors: **Scott A. Smith**, Mason, OH (US); **Ryan A. Brazelton**, Centerville, OH (US); **Patrick J. Bertke**, Dayton, OH (US)

(73) Assignee: **Six Continents Hotels, Inc.**, Atlanta, GA (US)

(**) Term: **14 Years**

(21) Appl. No.: **29/411,759**

(22) Filed: **Jan. 25, 2012**

Related U.S. Application Data

(62) Division of application No. 29/326,624, filed on Oct. 21, 2008, now Pat. No. Des. 653,040.

(51) **LOC (9) Cl.** **06-07**

(52) **U.S. Cl.**
USPC **D6/300**

(58) **Field of Classification Search**
USPC D6/300-314, 449; D20/18, 10; D18/26;
D14/125; D10/2; 40/768, 700
See application file for complete search history.

(56) **References Cited**

U.S. PATENT DOCUMENTS

| | | | | |
|--------------|---------|------------|-------|--------|
| D306,661 S * | 3/1990 | Sanford | | D6/301 |
| D359,989 S * | 7/1995 | Sukovich | | D20/18 |
| D364,647 S * | 11/1995 | Johnson | | D20/18 |
| D391,991 S * | 3/1998 | Conner | | D20/10 |
| D397,356 S * | 8/1998 | Wen et al. | | D18/26 |

| | | | | |
|----------------|---------|----------------------|-------|---------|
| D409,096 S * | 5/1999 | Young | | D10/2 |
| D421,682 S * | 3/2000 | Rowan | | D6/301 |
| D426,071 S * | 6/2000 | Vandemore | | D6/301 |
| D439,223 S * | 3/2001 | Sheckler | | D14/125 |
| D453,422 S * | 2/2002 | Morgan | | D6/301 |
| D458,461 S * | 6/2002 | Ragan-Masters et al. | | D6/301 |
| 6,536,149 B1 * | 3/2003 | Phillips | | 40/768 |
| D502,005 S * | 2/2005 | Henry | | D6/301 |
| D526,492 S * | 8/2006 | Sakaguchi | | D6/301 |
| D526,794 S * | 8/2006 | Sakaguchi | | D6/301 |
| D527,914 S * | 9/2006 | Sakaguchi | | D6/301 |
| D532,615 S * | 11/2006 | Sakaguchi | | D6/301 |
| D575,532 S * | 8/2008 | Whetman | | D6/301 |

* cited by examiner

Primary Examiner — Philip S Hyder

Assistant Examiner — Sydney Buffalow

(74) *Attorney, Agent, or Firm* — Kilpatrick Townsend & Stockton LLP

(57) **CLAIM**

The ornamental design for wall mount, as shown and described.

DESCRIPTION

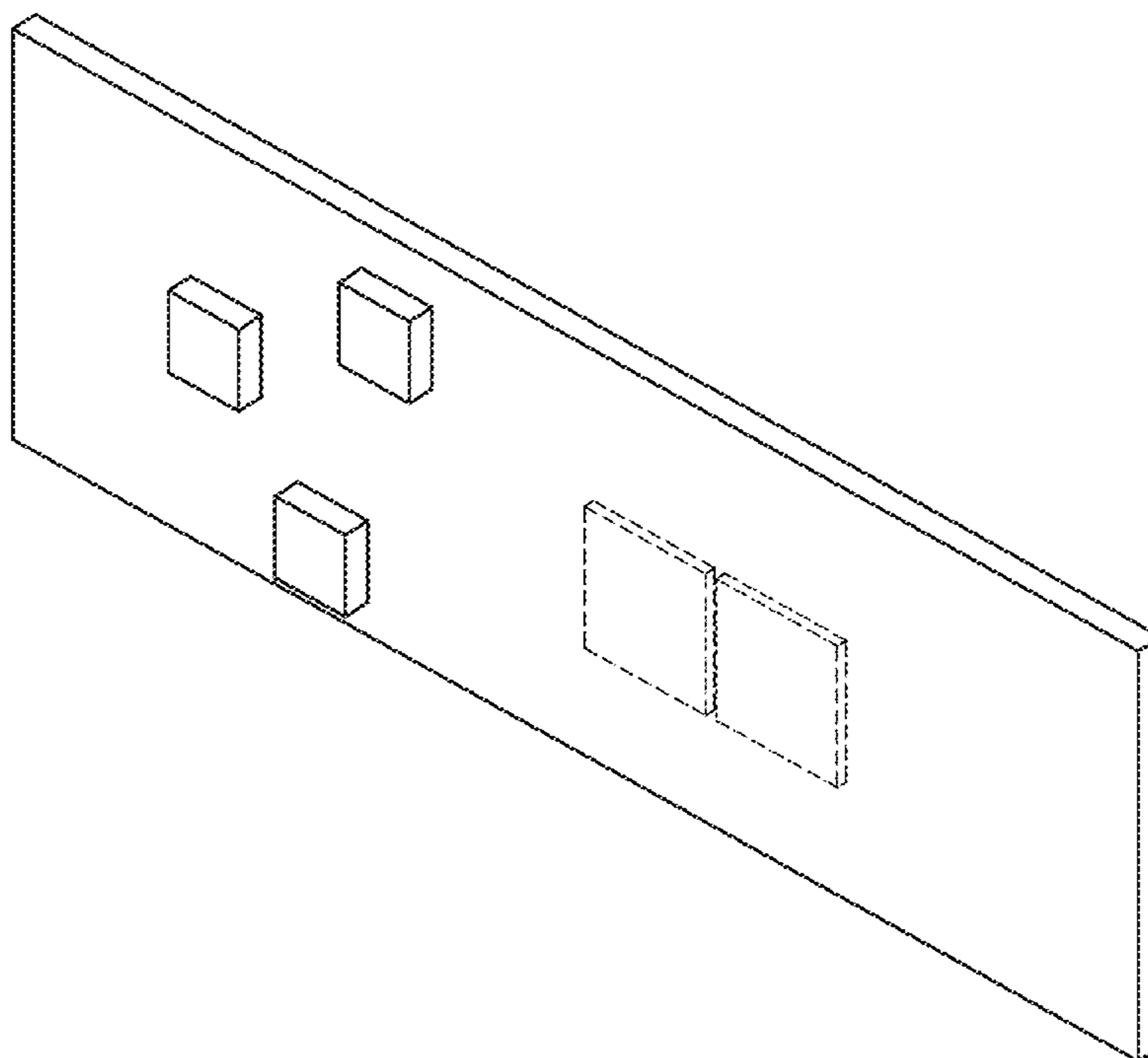
FIG. 1 is a perspective view of a wall mount showing our new design thereof;

FIG. 2 is a front view thereof; and,

FIG. 3 is a right side view thereof.

The broken line showing is for illustrative purposes only and forms no part of the claimed design.

1 Claim, 2 Drawing Sheets



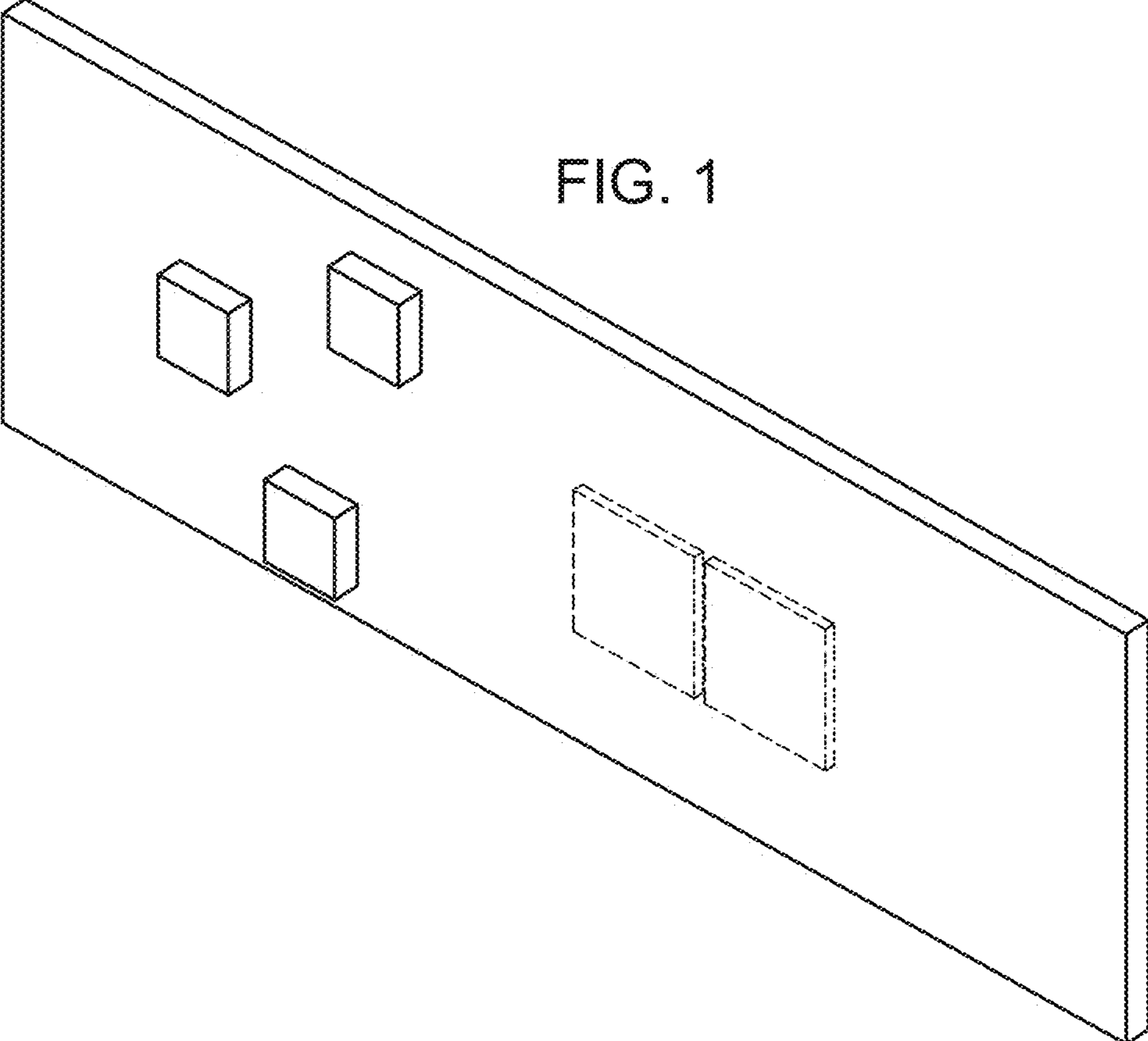


FIG. 2

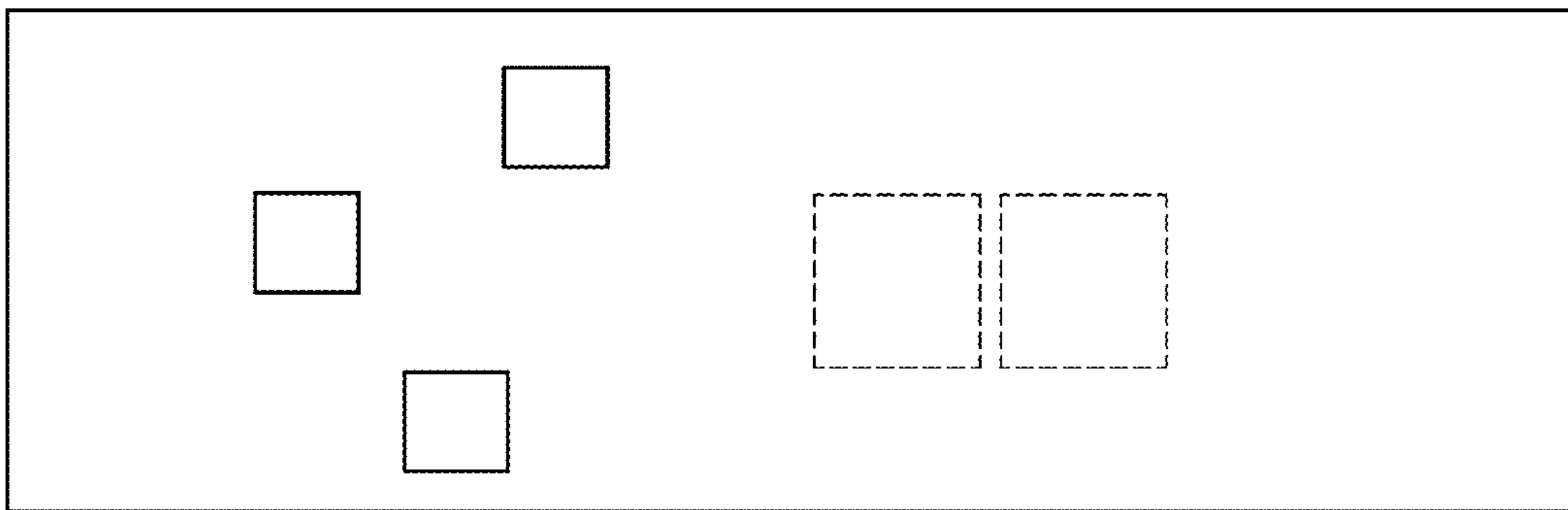


FIG. 3

