



US00D686414S

(12) **United States Design Patent**
Schneider

(10) **Patent No.:** **US D686,414 S**
(45) **Date of Patent:** **** Jul. 23, 2013**

(54) **ORGANIZER**

(71) Applicant: **Jonathan Neil Schneider**, Boulder, CO
(US)

(72) Inventor: **Jonathan Neil Schneider**, Boulder, CO
(US)

(**) Term: **14 Years**

(21) Appl. No.: **29/437,870**

(22) Filed: **Nov. 21, 2012**

Related U.S. Application Data

(62) Division of application No. 29/397,717, filed on Jul. 20, 2011, now Pat. No. Des. 671,315.

(51) **LOC (9) Cl.** **03-01**

(52) **U.S. Cl.**
USPC **D3/249**

(58) **Field of Classification Search**

None

See application file for complete search history.

(56) **References Cited**

U.S. PATENT DOCUMENTS

4,496,058	A	1/1985	Harris et al.
4,932,520	A	6/1990	Ciarcia et al.
4,973,184	A	11/1990	La Salle
6,808,208	B2	10/2004	Ward
7,370,794	B2	5/2008	Trane

(Continued)

Primary Examiner — Holly Baynham

(74) *Attorney, Agent, or Firm* — Fulwider Patton LLP

(57) **CLAIM**

The ornamental design for an organizer, as shown and described.

DESCRIPTION

FIG. 1 is a top, rear perspective view of the organizer in a closed position, with a pocket appearing in broken lines;

FIG. 2 is a left side elevation view of the organizer in a closed position;

FIG. 3 is a right side elevation view of the organizer in a closed position;

FIG. 4 is a bottom plan view of the organizer in a closed position;

FIG. 5 is a front elevation view of the organizer in a closed position;

FIG. 6 is a top plan view of the organizer in a closed position;

FIG. 7 is a rear elevation view of the organizer in a closed position, with a pocket appearing in broken lines;

FIG. 8 is a perspective view of the interior of the organizer in an open position;

FIG. 9 is an elevational view of the exterior of the organizer in an open position, with a pocket appearing in broken lines;

FIG. 10 is an elevational view of the interior of the organizer in an open position, and a writing pad appearing in broken lines;

FIG. 11 is a bottom plan view of the organizer in an open position;

FIG. 12 is a top plan view of the organizer in an open position;

FIG. 13 is a left side elevation view of the organizer in an open position;

FIG. 14 is a right side elevation view of the organizer in an open position;

FIG. 15 is a front, top, perspective view of the organizer in an open position showing the compartment slightly open and a separate pocketed leaf contained within the compartment;

FIG. 16 is a cross-sectional view taken along line 16-16 showing the front of the separate pocketed leaf attached at the bottom of the compartment of the organizer;

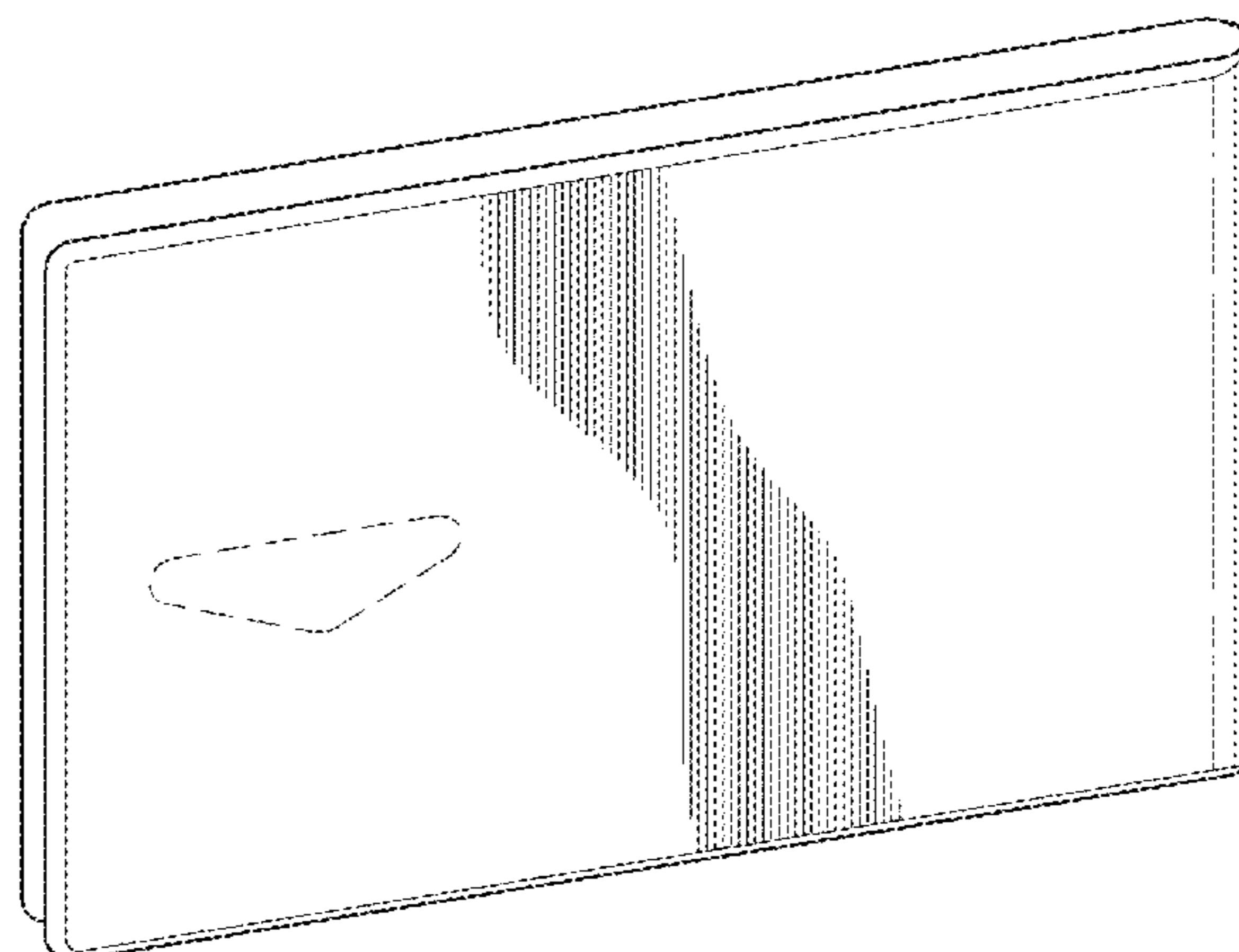
FIG. 17 is a rear, top, perspective view of the organizer in an open position showing the compartment slightly open and a separate pocketed leaf contained within the compartment;

and,

FIG. 18 is a cross-sectional view taken along line 18-18 showing the rear of the separate pocketed leaf attached at the bottom of the compartment of the organizer.

The broken lines showing ornamentation are for the purposes of illustrating environment and form no part of the claimed design.

1 Claim, 10 Drawing Sheets



US D686,414 S

Page 2

U.S. PATENT DOCUMENTS

7,546,860 B1 6/2009 Mehdizadeh
7,607,463 B2 10/2009 Huber

D659,992 S * 5/2012 May D3/206
2011/0001313 A1 1/2011 Gwin et al.

* cited by examiner

FIG. 1

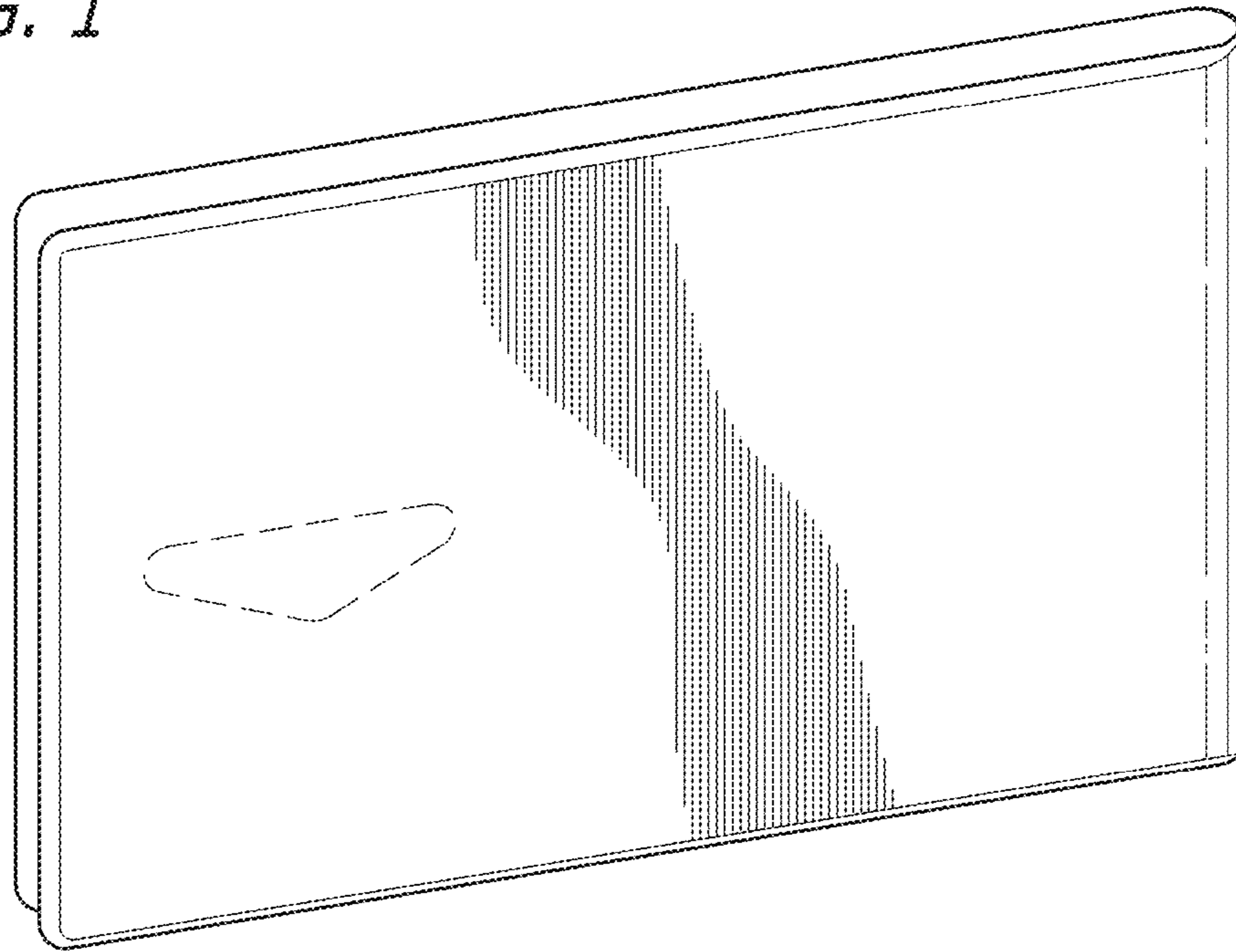


FIG. 2



FIG. 3

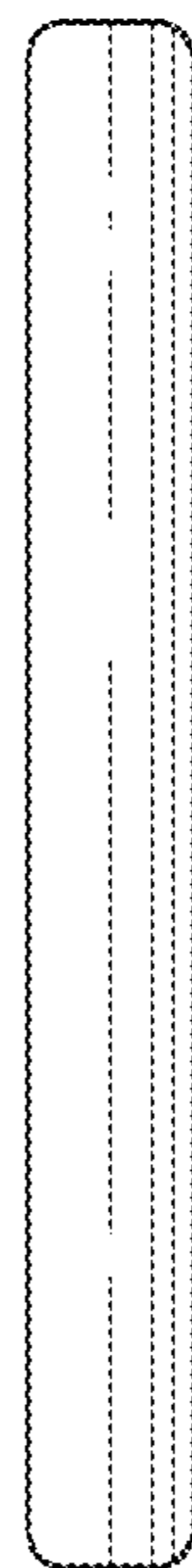


FIG. 4

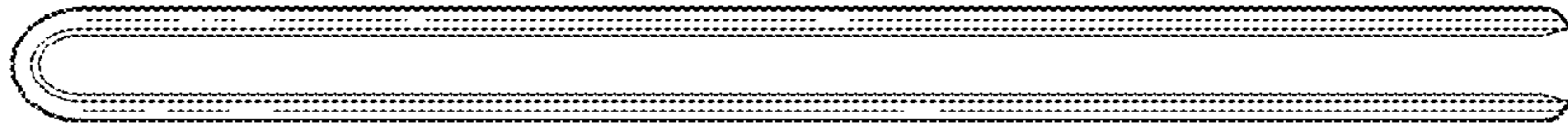


FIG. 5

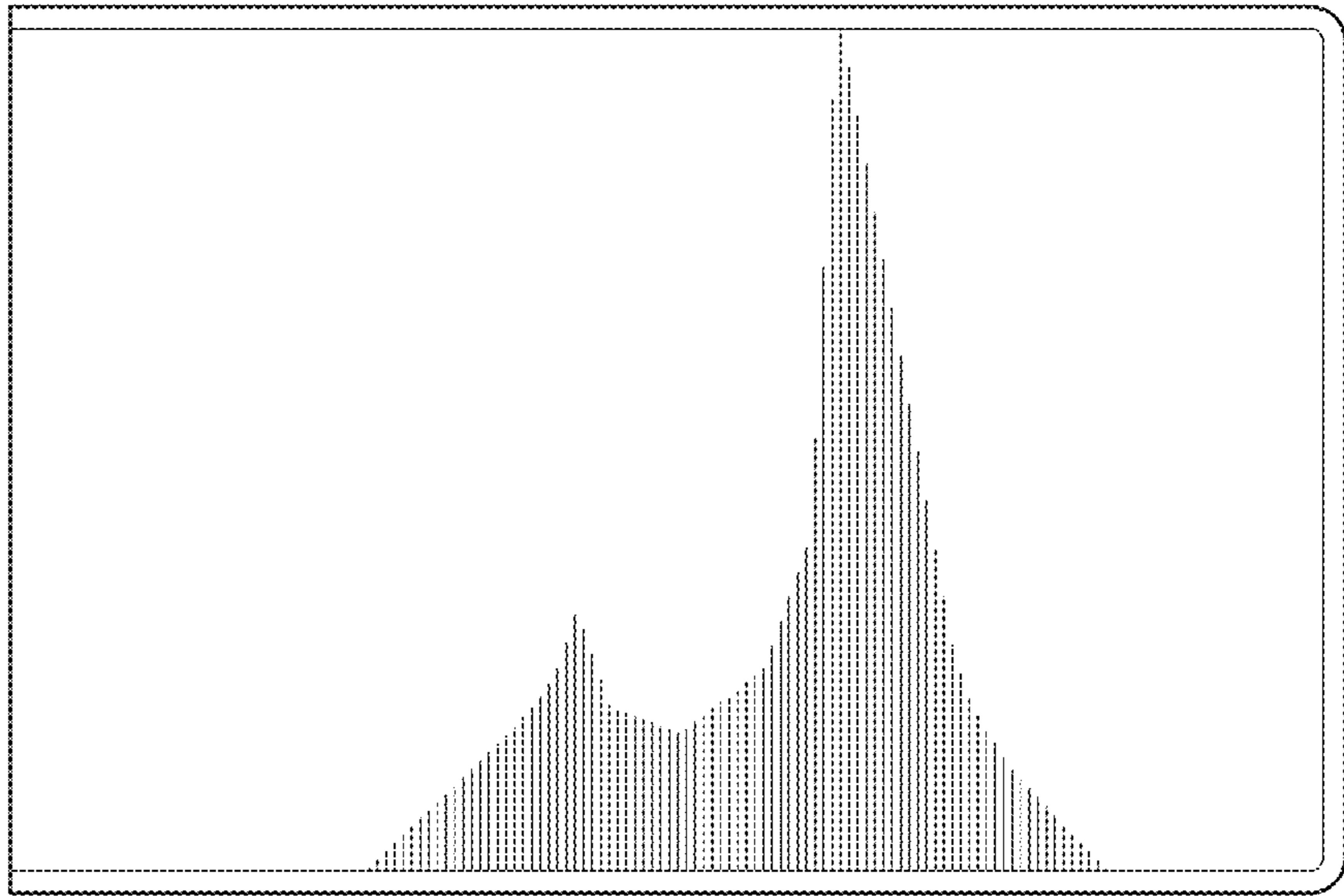


FIG. 6

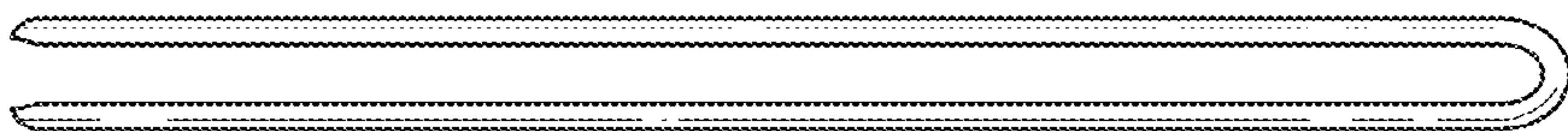


FIG. 7

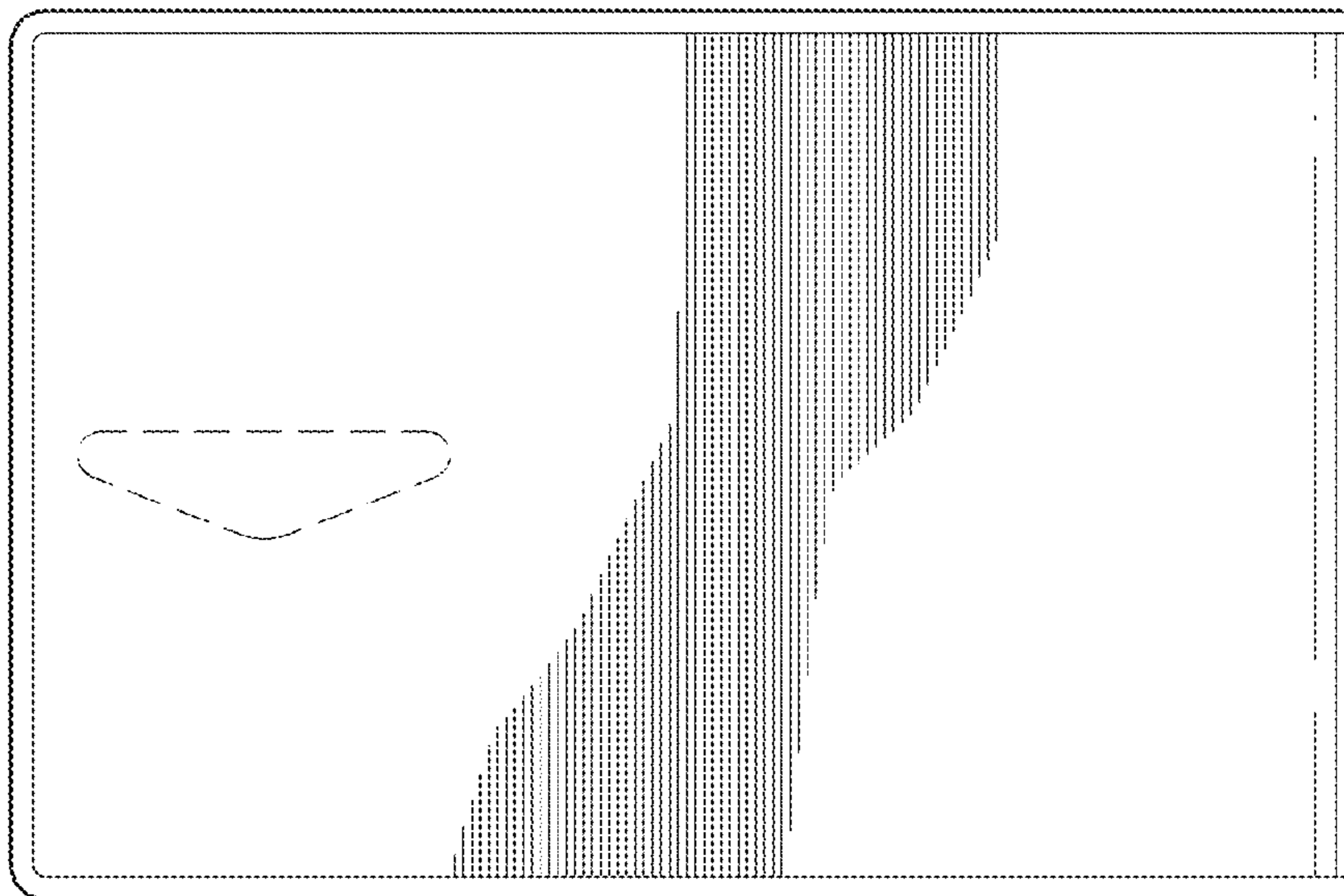


FIG. 8

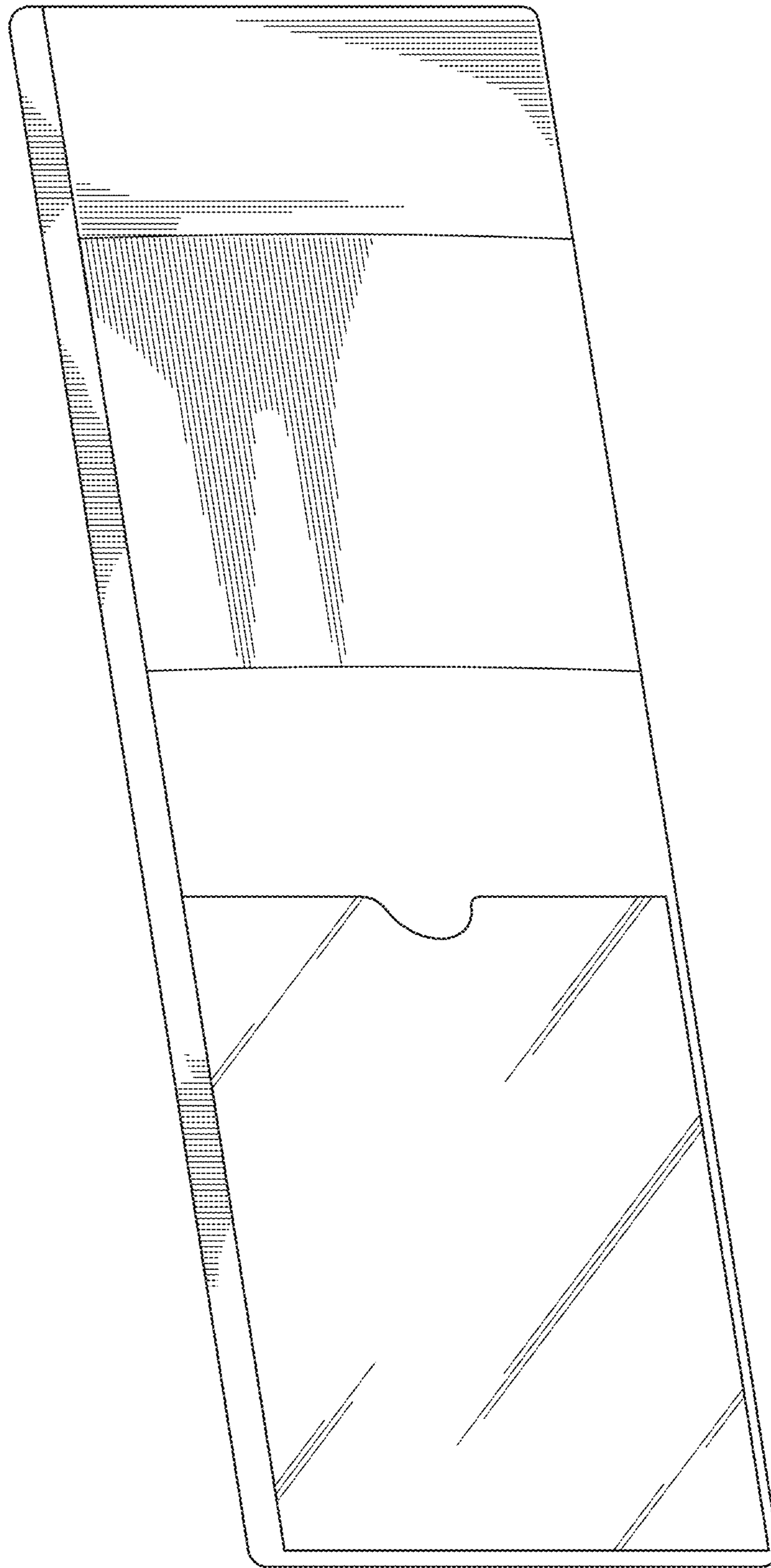


FIG. 9

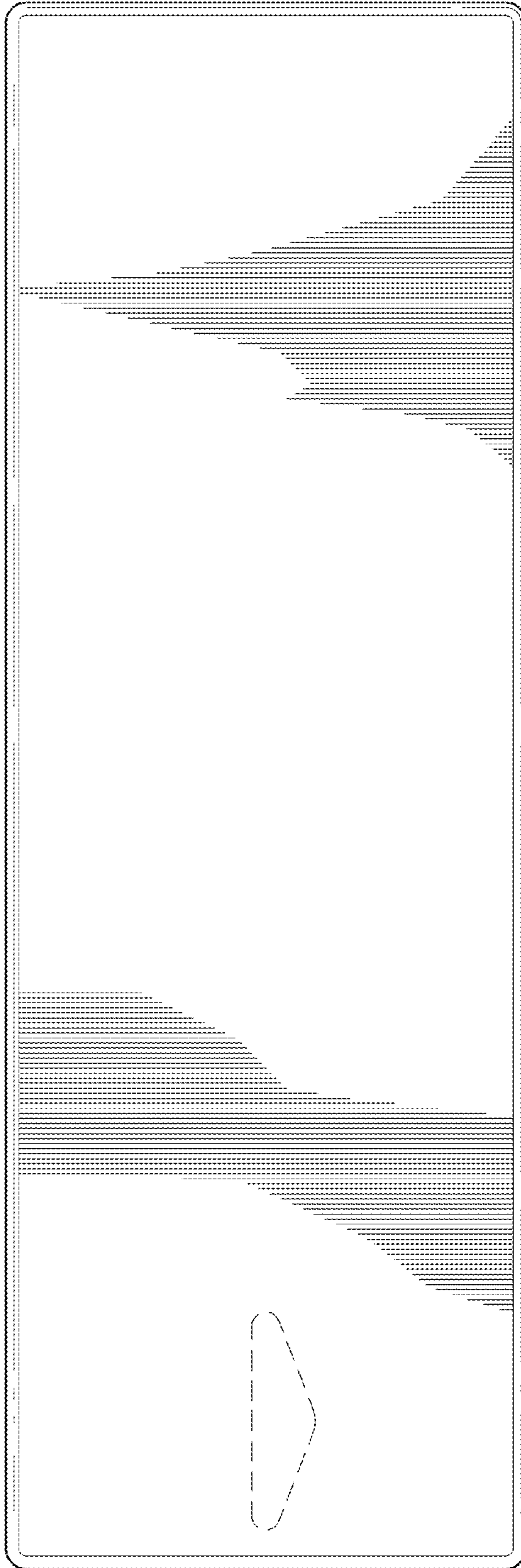
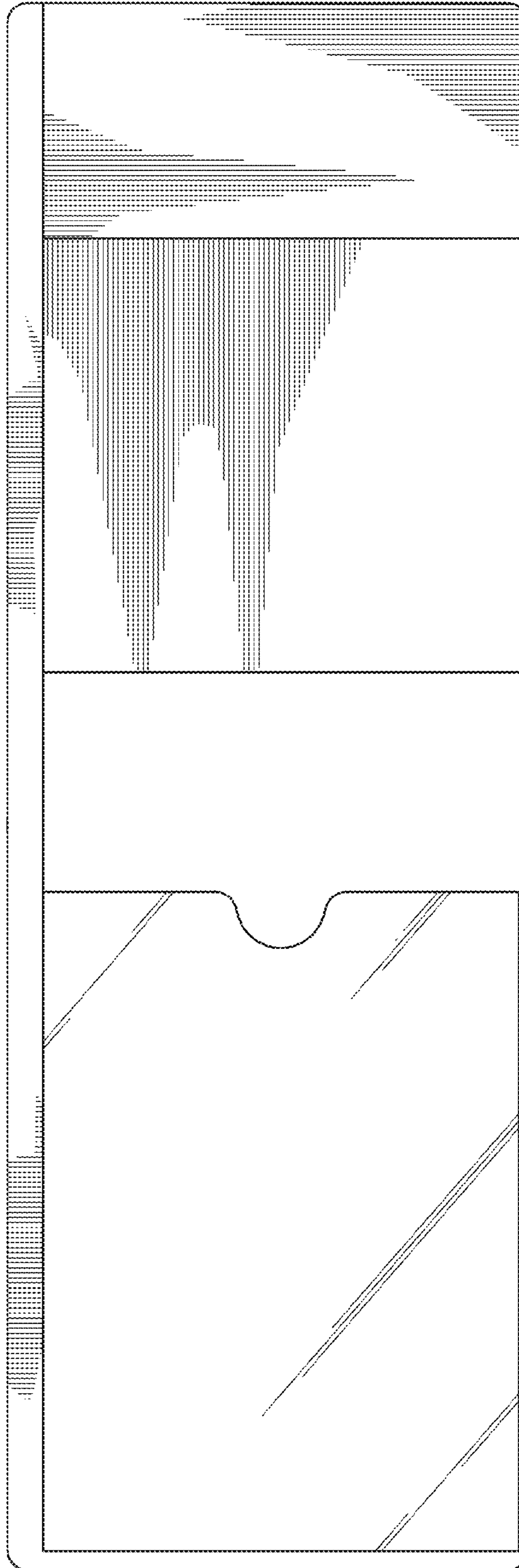


FIG. 10



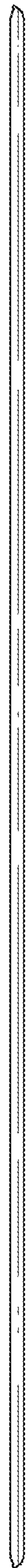


FIG. 11



FIG. 12

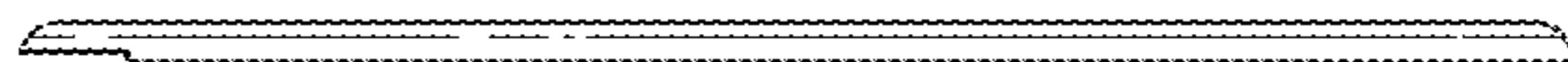


FIG. 13

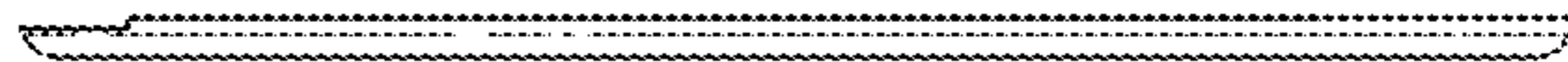
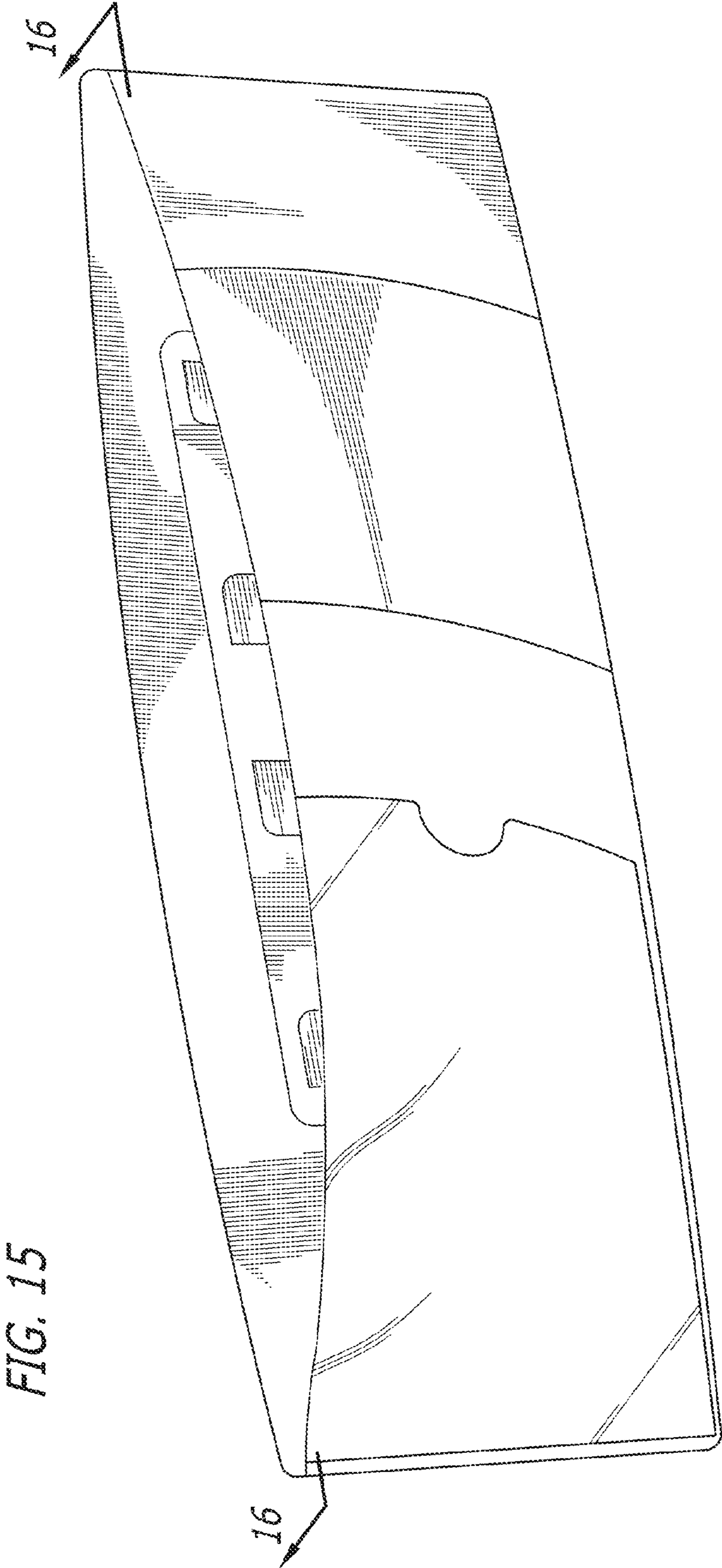


FIG. 14



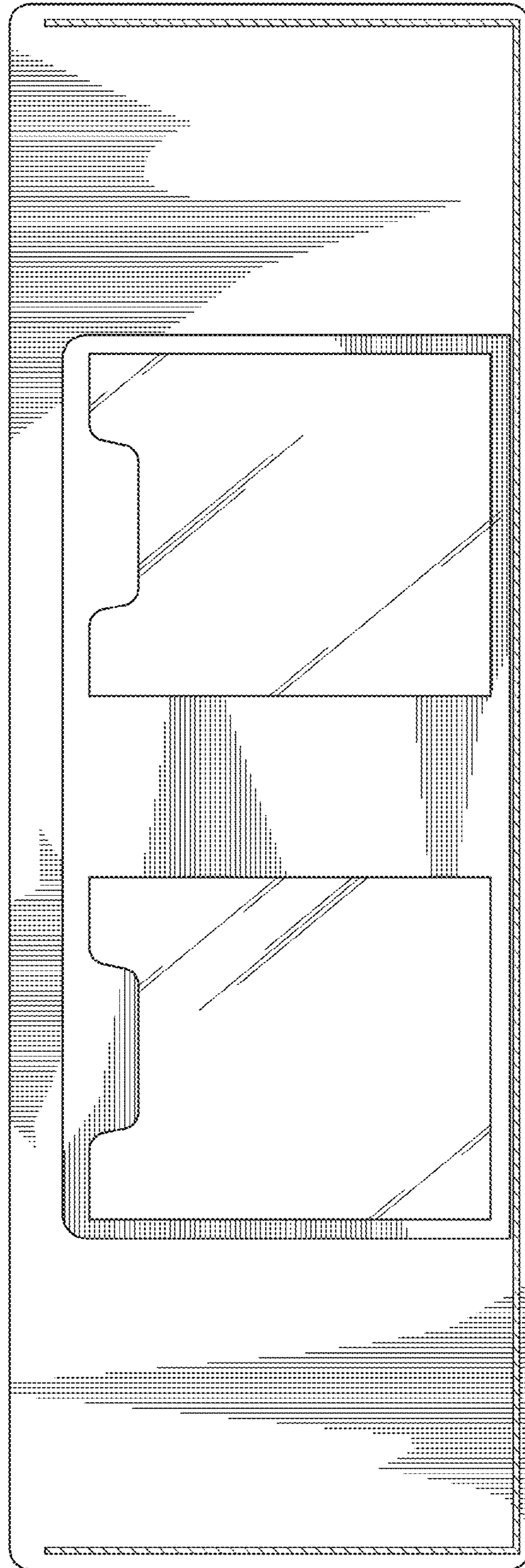
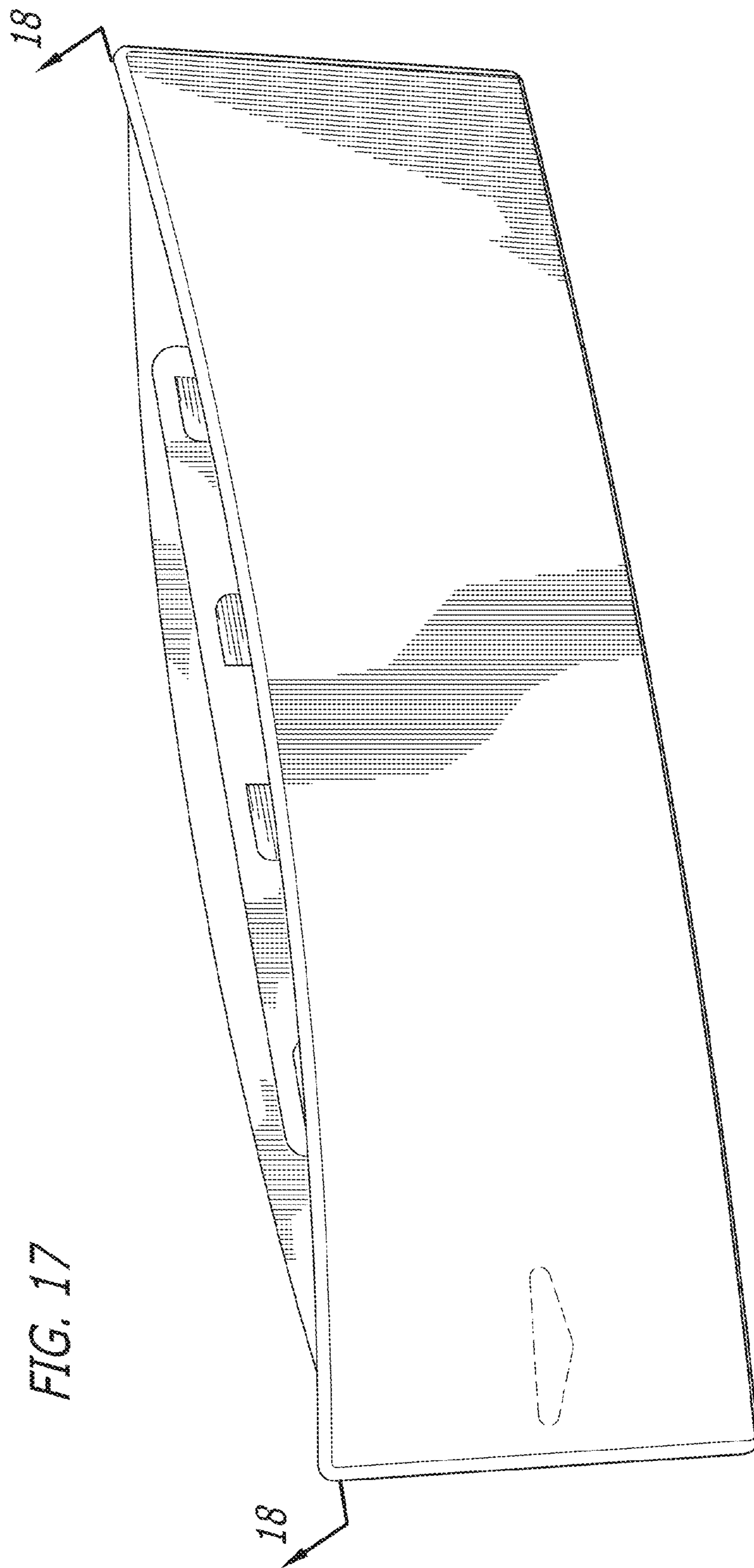


FIG. 16



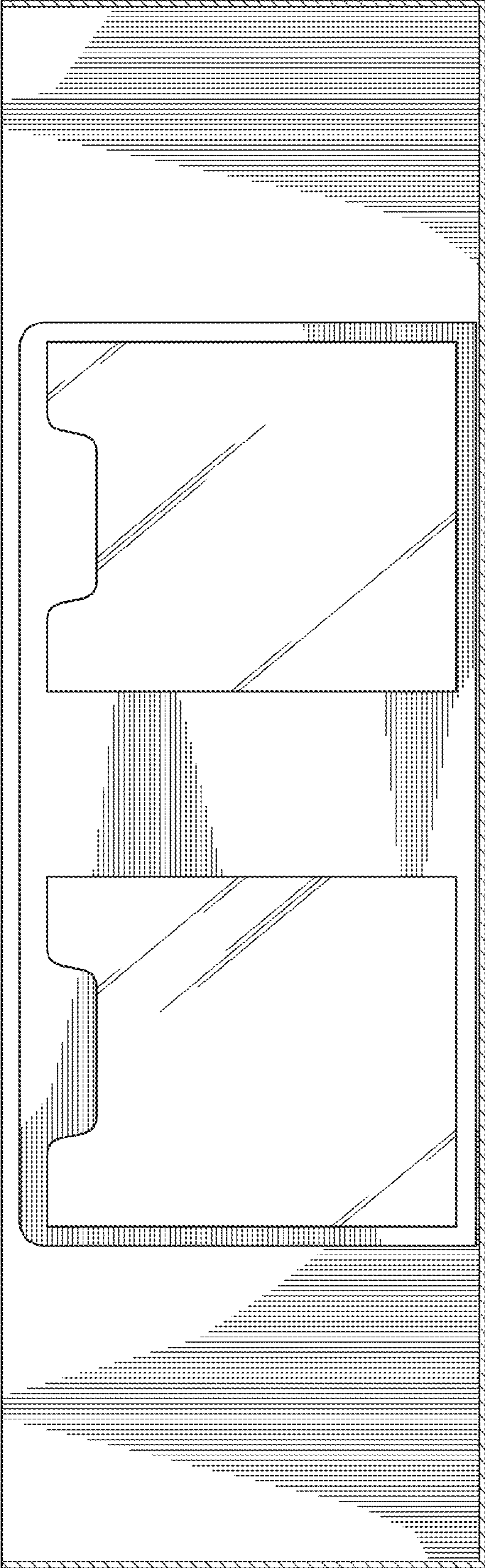


FIG. 18