



US00D686413S

(12) **United States Design Patent**
Bartos

(10) **Patent No.:** **US D686,413 S**
(45) **Date of Patent:** **** Jul. 23, 2013**

(54) **CHECK PRESENTER**

(76) Inventor: **Milan Bartos**, Orlando, FL (US)

(**) Term: **14 Years**

(21) Appl. No.: **29/418,106**

(22) Filed: **Apr. 12, 2012**

(51) **LOC (9) Cl.** **03-01**

(52) **U.S. Cl.**
USPC **D3/247**

(58) **Field of Classification Search**
USPC D3/247, 249–253; 150/130, 132,
150/136–137, 147

See application file for complete search history.

(56) **References Cited**

U.S. PATENT DOCUMENTS

D543,359 S * 5/2007 Suppangig D3/299
D547,547 S * 7/2007 Maurion D3/247

D550,454 S * 9/2007 Costello D3/247
D553,856 S * 10/2007 Shum D3/247
D586,121 S * 2/2009 Holzner et al. D3/247
D600,011 S * 9/2009 Munroe D3/247
D602,249 S * 10/2009 Stulman D3/245
D632,076 S * 2/2011 Westrick D3/247
D657,557 S * 4/2012 Deinert D3/247

* cited by examiner

Primary Examiner — Holly Baynham

(74) *Attorney, Agent, or Firm* — Kelly G. Swartz

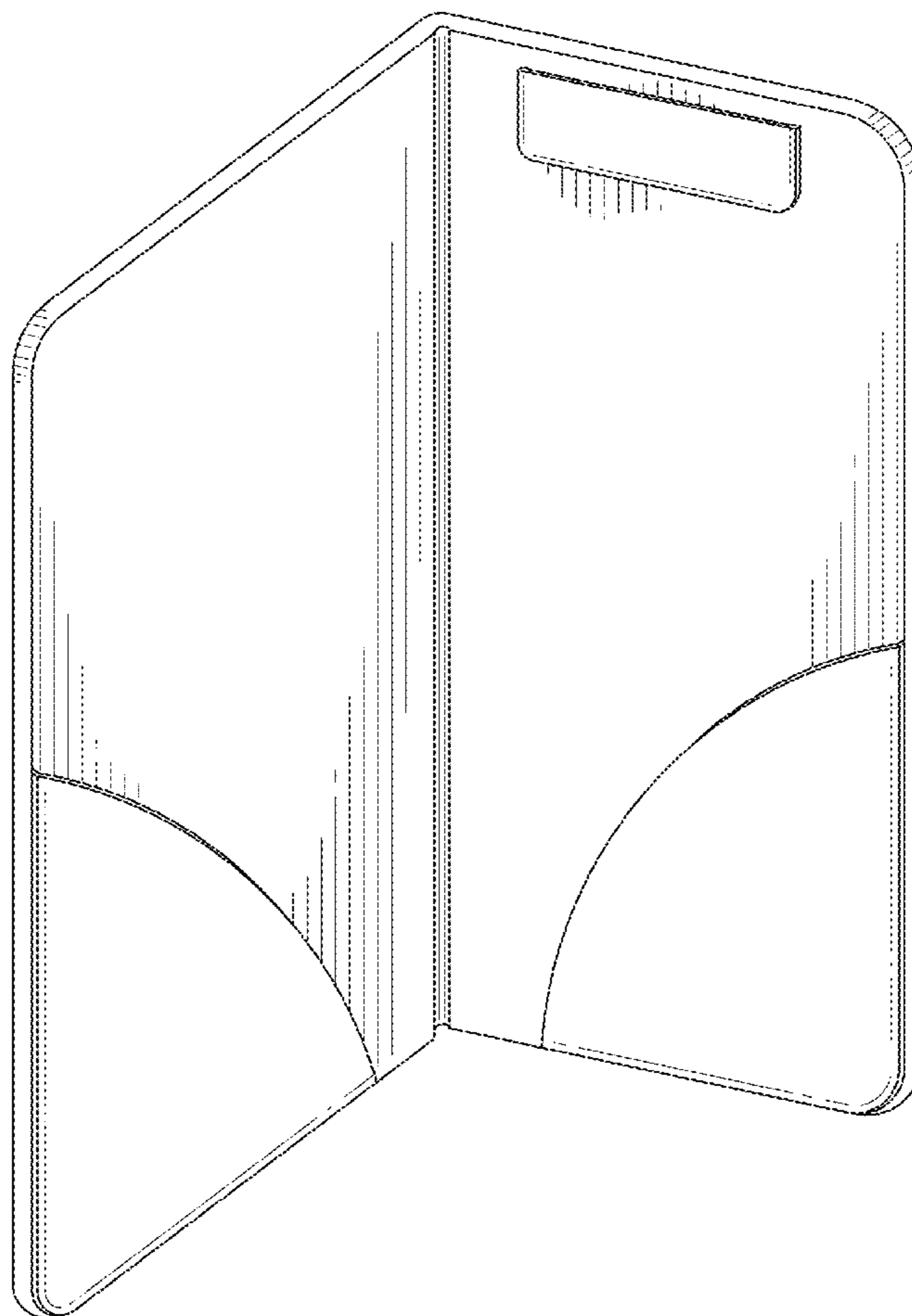
(57) **CLAIM**

The ornamental design for a check presenter, as shown and described.

DESCRIPTION

FIG. 1 is a view of the inside of an opened check presenter depicting my design; and, FIG. 2 is a view of the outside of an opened check presenter depicting my design.

1 Claim, 2 Drawing Sheets



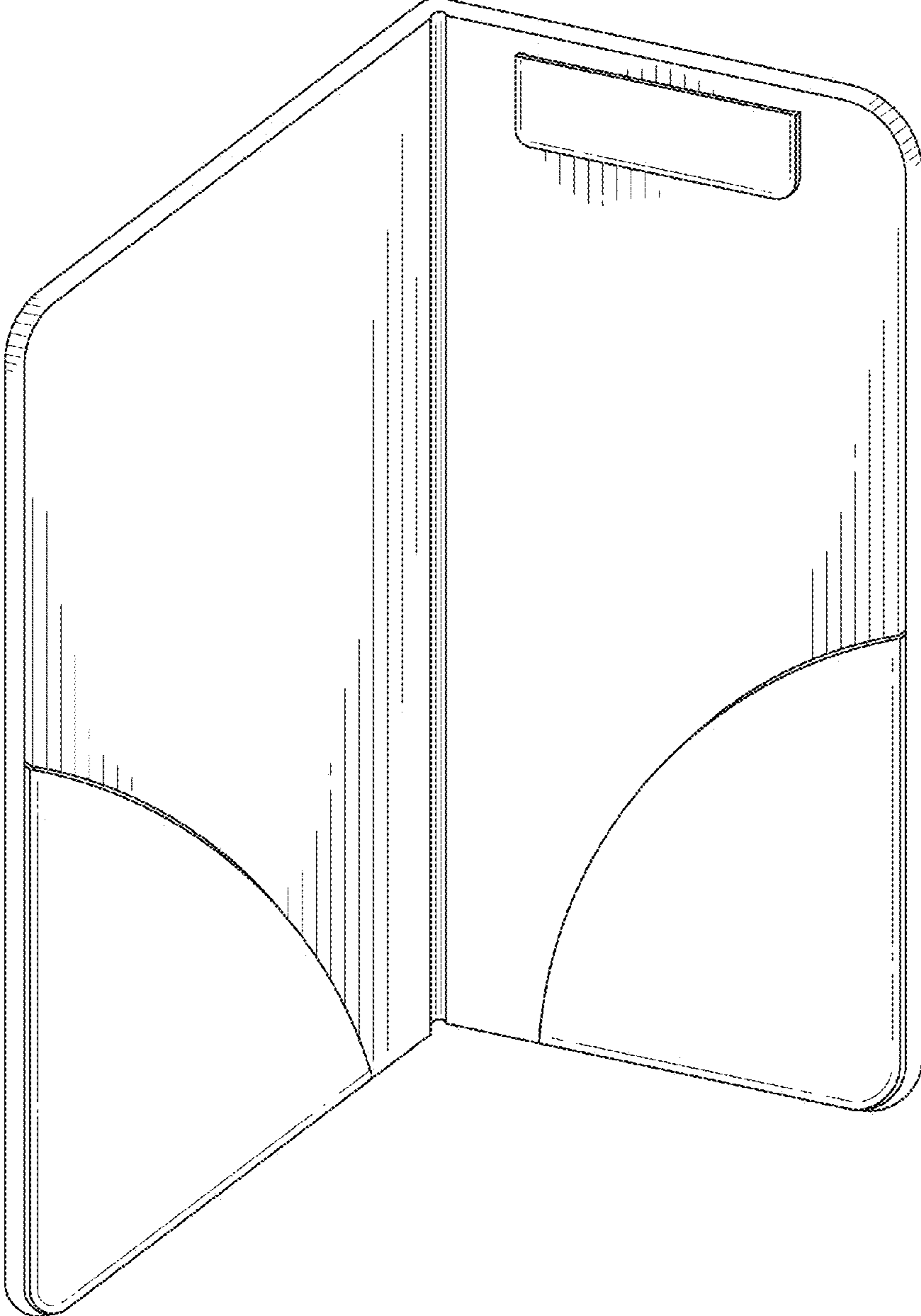


Fig. 1

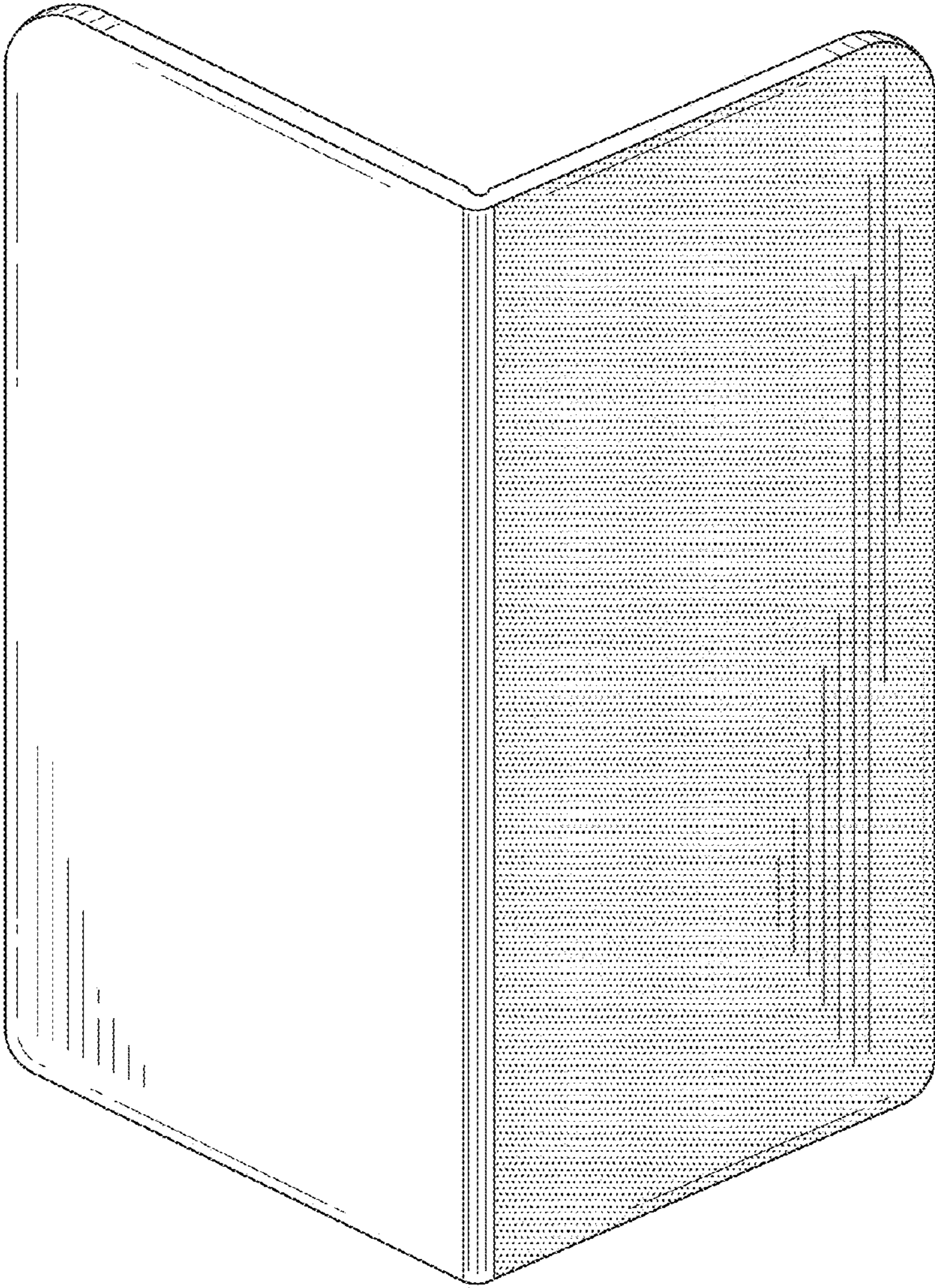


Fig. 2