



US00D686411S

(12) **United States Design Patent**
Kidwell

(10) **Patent No.:** **US D686,411 S**

(45) **Date of Patent:** **** Jul. 23, 2013**

(54) **HIP-PACK WITH INSULATED RECEPTACLE**

D519,276 S * 4/2006 Jameson D3/226
D624,308 S * 9/2010 Crifasi D3/226

(71) Applicant: **Diane Lynn Kidwell**, Broadlands, VA
(US)

* cited by examiner

(72) Inventor: **Diane Lynn Kidwell**, Broadlands, VA
(US)

Primary Examiner — Catheri Oliver-Garcia
(74) *Attorney, Agent, or Firm* — Jeffrey Roddy

(**) Term: **14 Years**

(57) **CLAIM**

I claim the ornamental design for a hip-pack with insulated receptacle, as shown and described.

(21) Appl. No.: **29/438,039**

DESCRIPTION

(22) Filed: **Nov. 26, 2012**

(51) **LOC (9) Cl.** **03-01**

(52) **U.S. Cl.**
USPC **D3/226**

(58) **Field of Classification Search**
USPC D3/226, 224, 221, 232; 224/219,
224/222, 267, 269, 661, 674, 677, 680-683,
224/904

See application file for complete search history.

FIG. 1 is a front perspective view of a hip pack with insulated receptacle shown in use;
FIG. 2 is another perspective view thereof;
FIG. 3 is another perspective view thereof;
FIG. 4 is a front elevation view thereof;
FIG. 5 is a rear elevation view thereof;
FIG. 6 is a side perspective view thereof;
FIG. 7 is a top perspective view thereof; and,
FIG. 8 is a bottom perspective view thereof.
FIGS. 1-3 are reduced in scale and show the hip-pack being worn in an environmental setting. FIGS. 4-8 are same scale perspective views. The dashed lines in FIGS. 1-3, depicting a human form, a belt and a belt buckle form no part of the claimed design. The dashed lines on the article itself represent stitching and are part of the design.

(56) **References Cited**

U.S. PATENT DOCUMENTS

D334,663 S * 4/1993 Petrillo D3/226
5,568,889 A * 10/1996 Holloway et al. 224/661
D440,041 S * 4/2001 Fermin D3/226
D516,305 S * 3/2006 Silverman D3/226

1 Claim, 6 Drawing Sheets

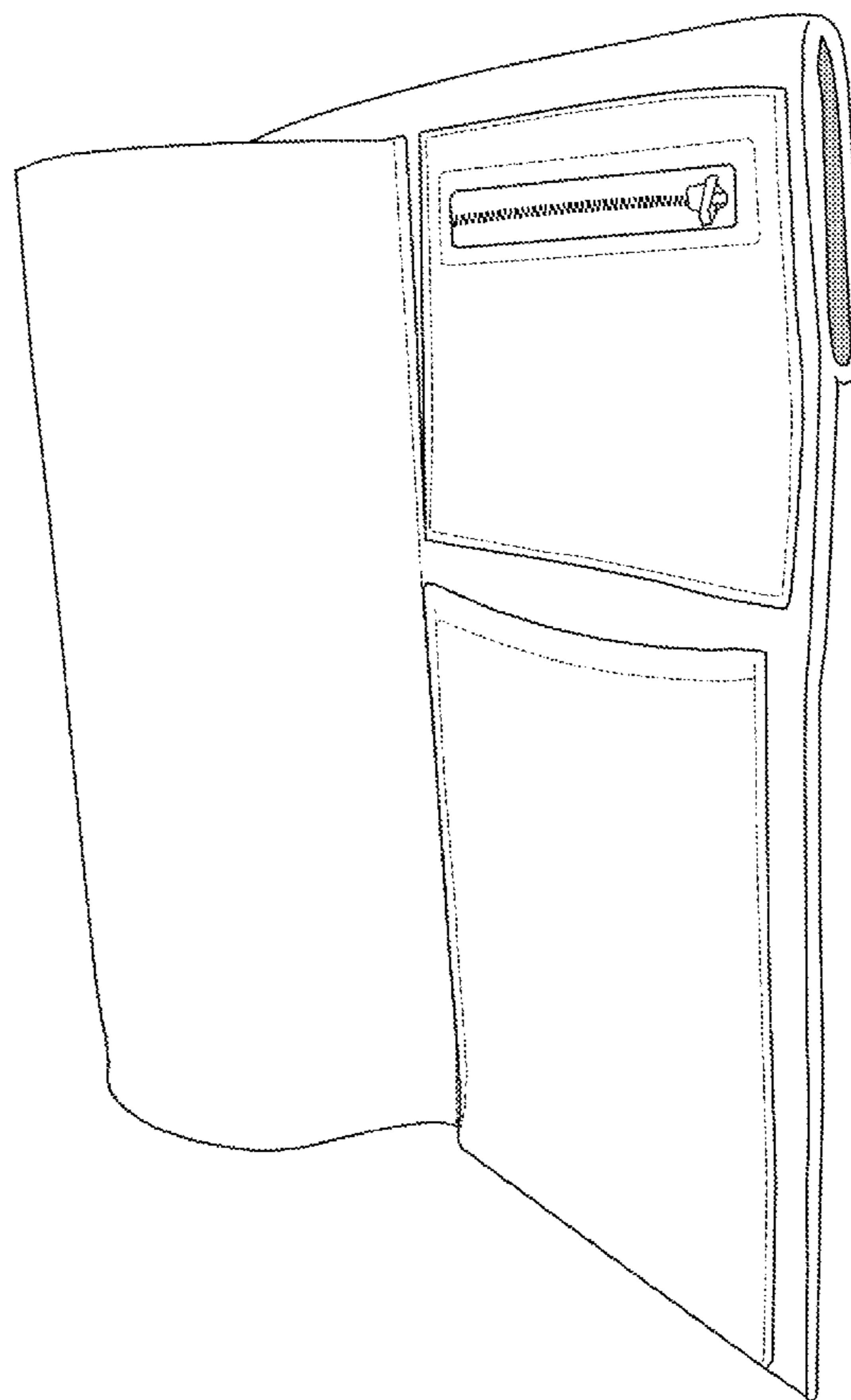


FIG. 1

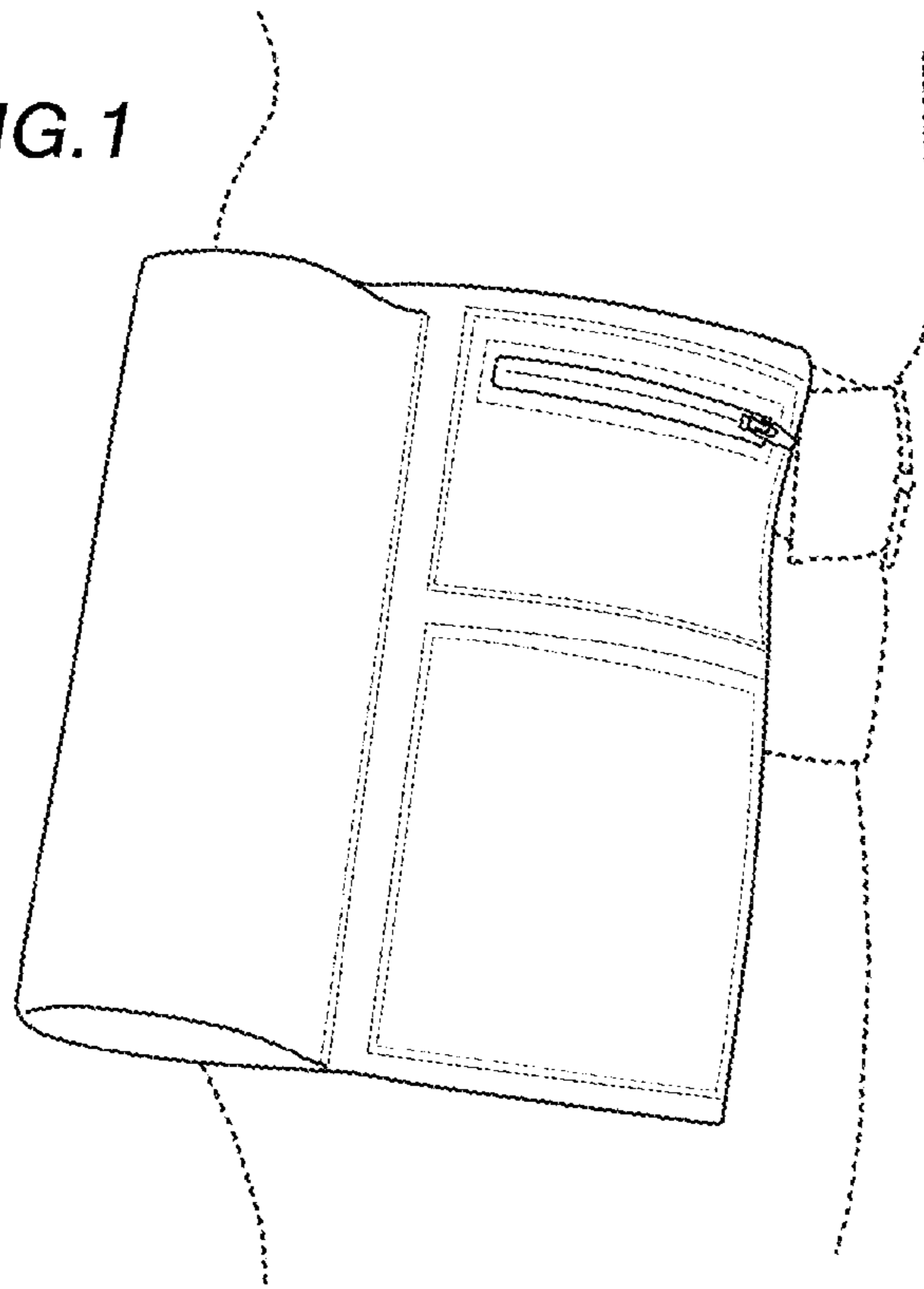
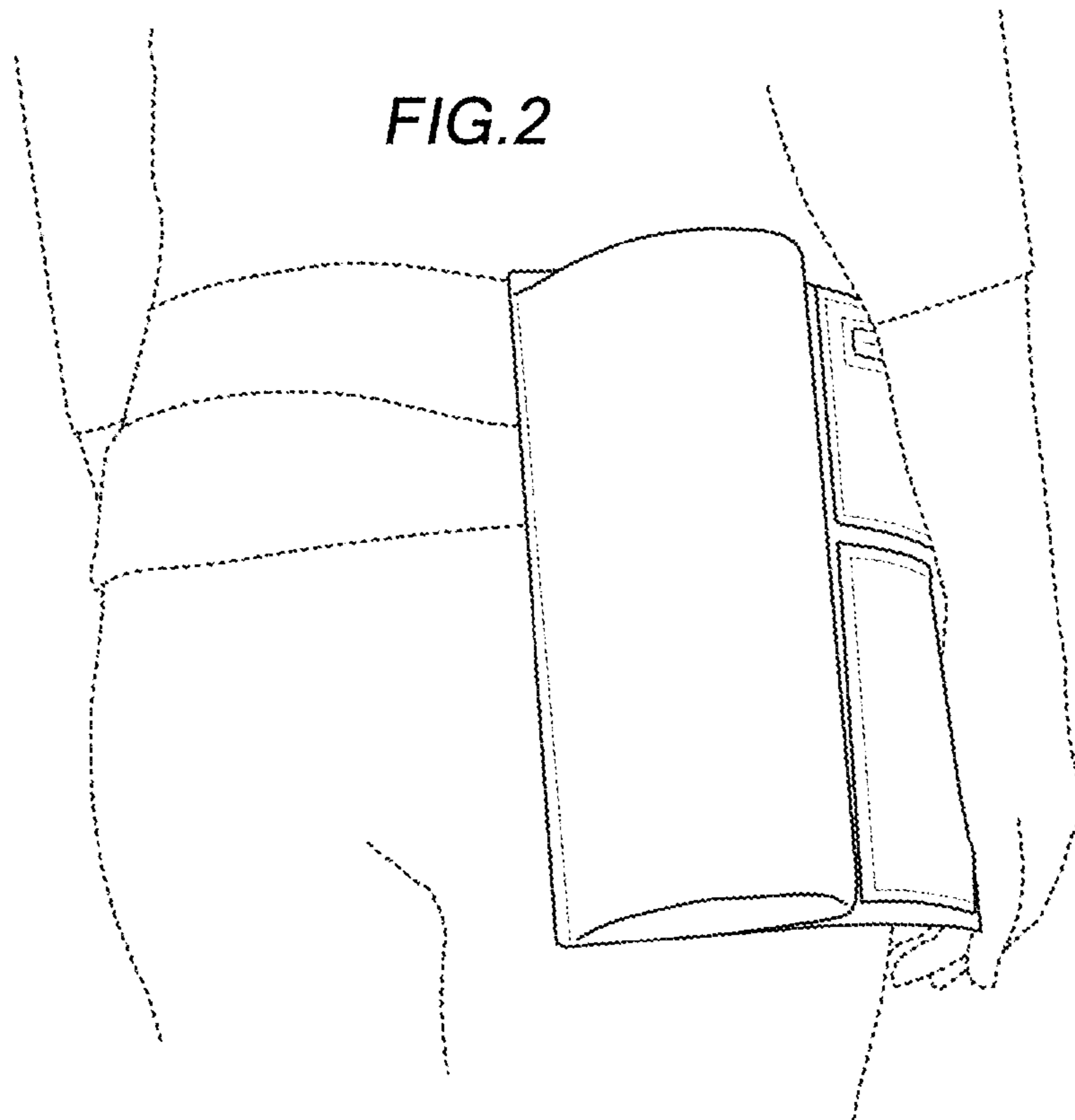


FIG. 2



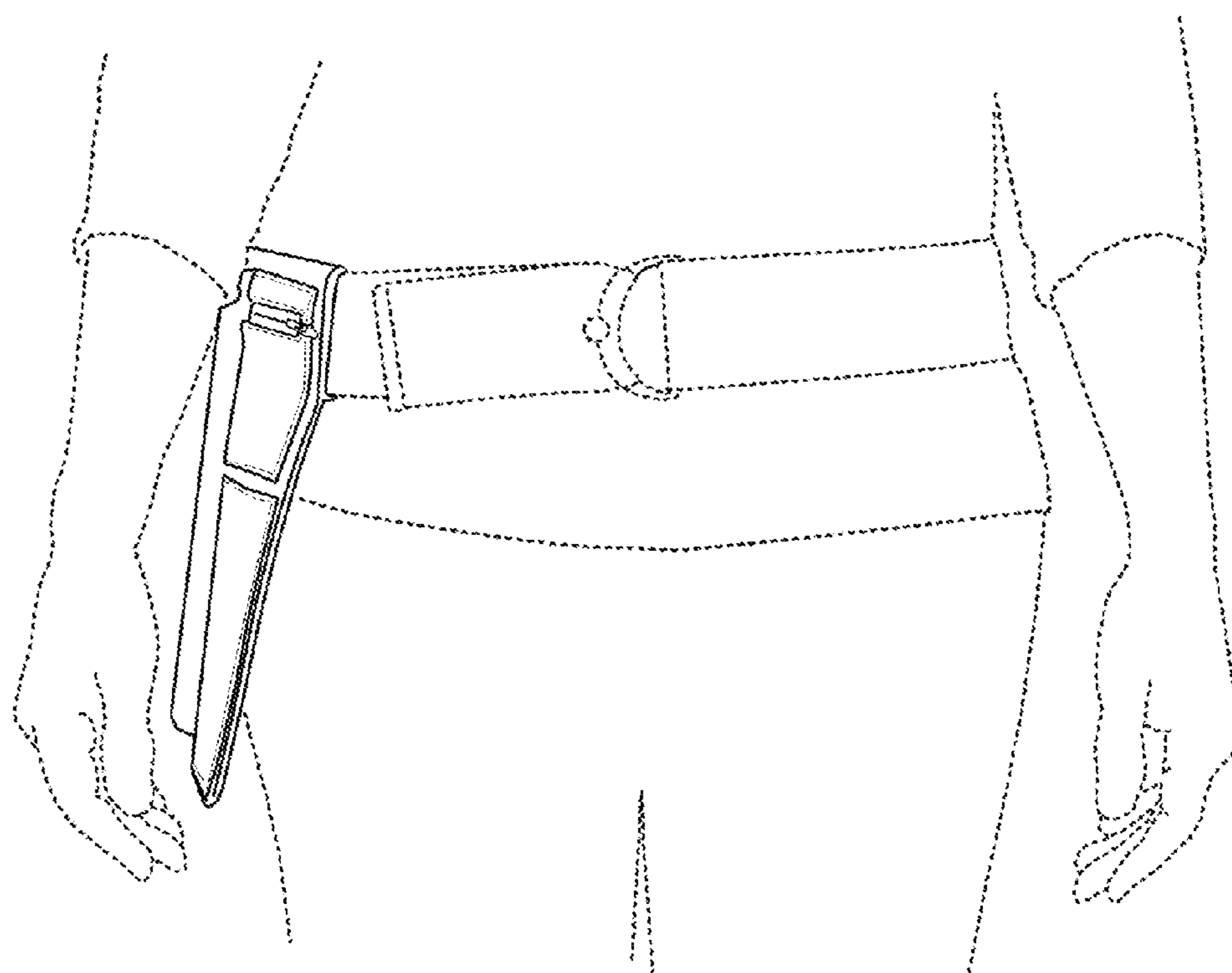


FIG.3

FIG. 4

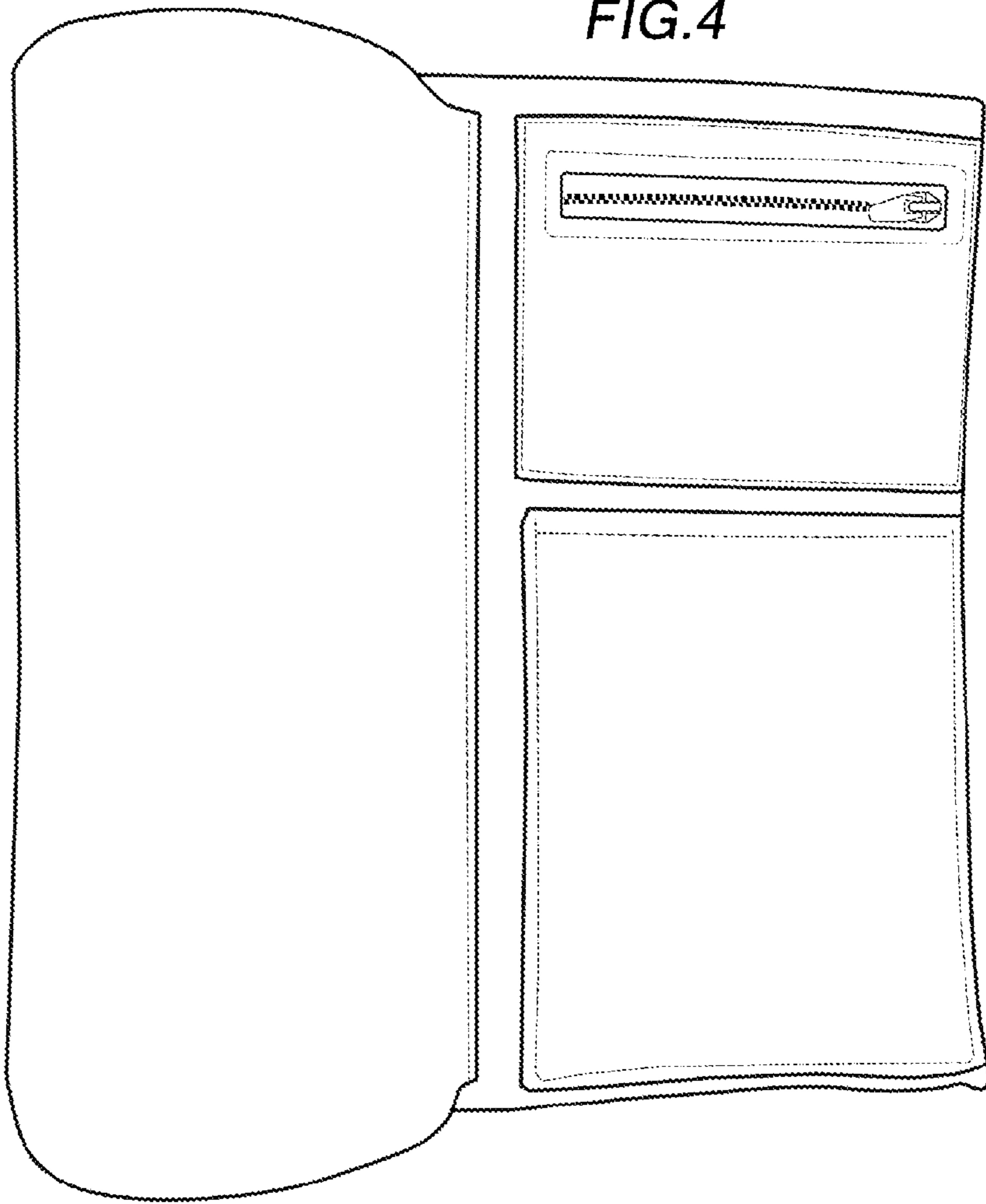


FIG.5

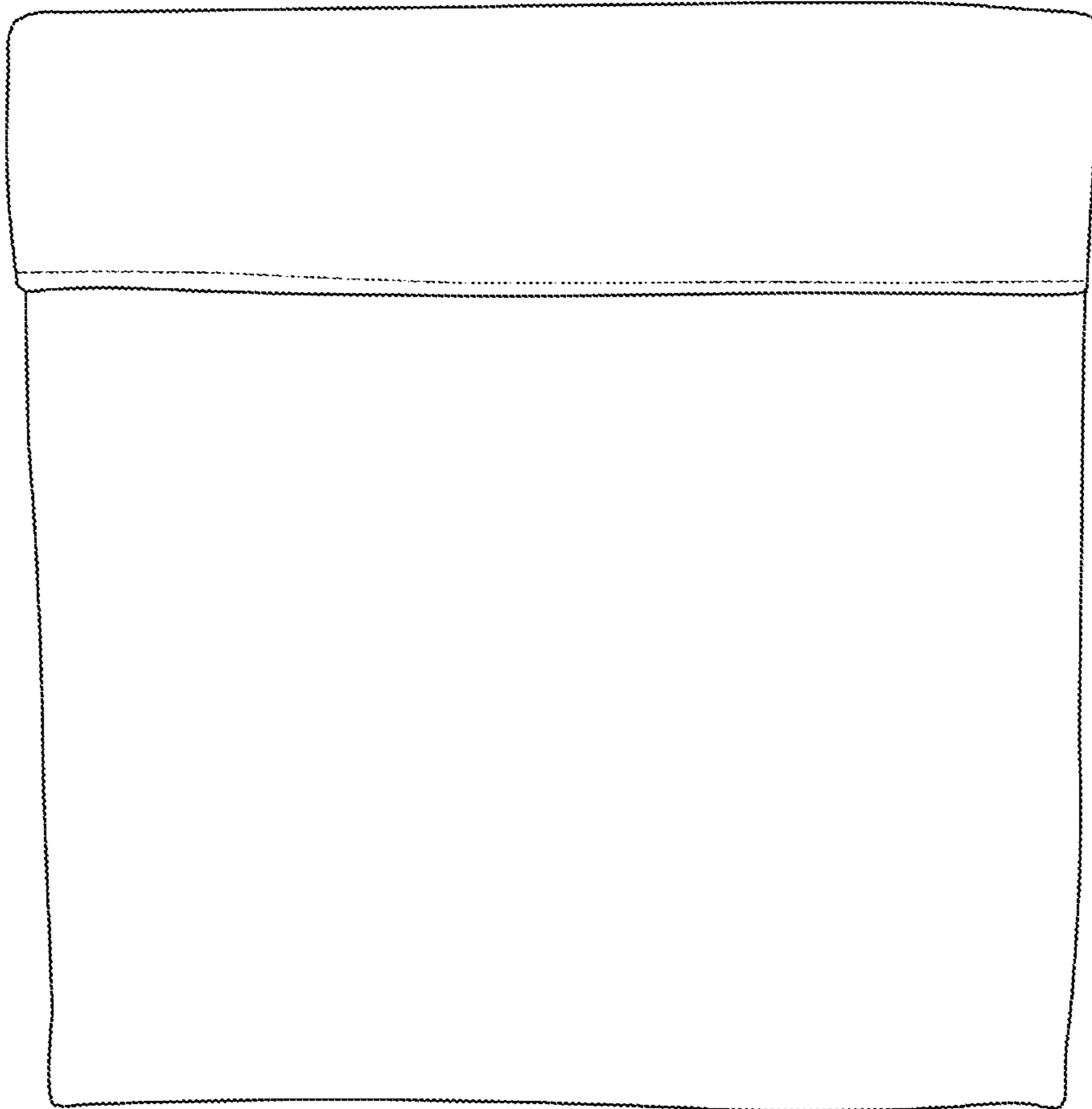


FIG. 6

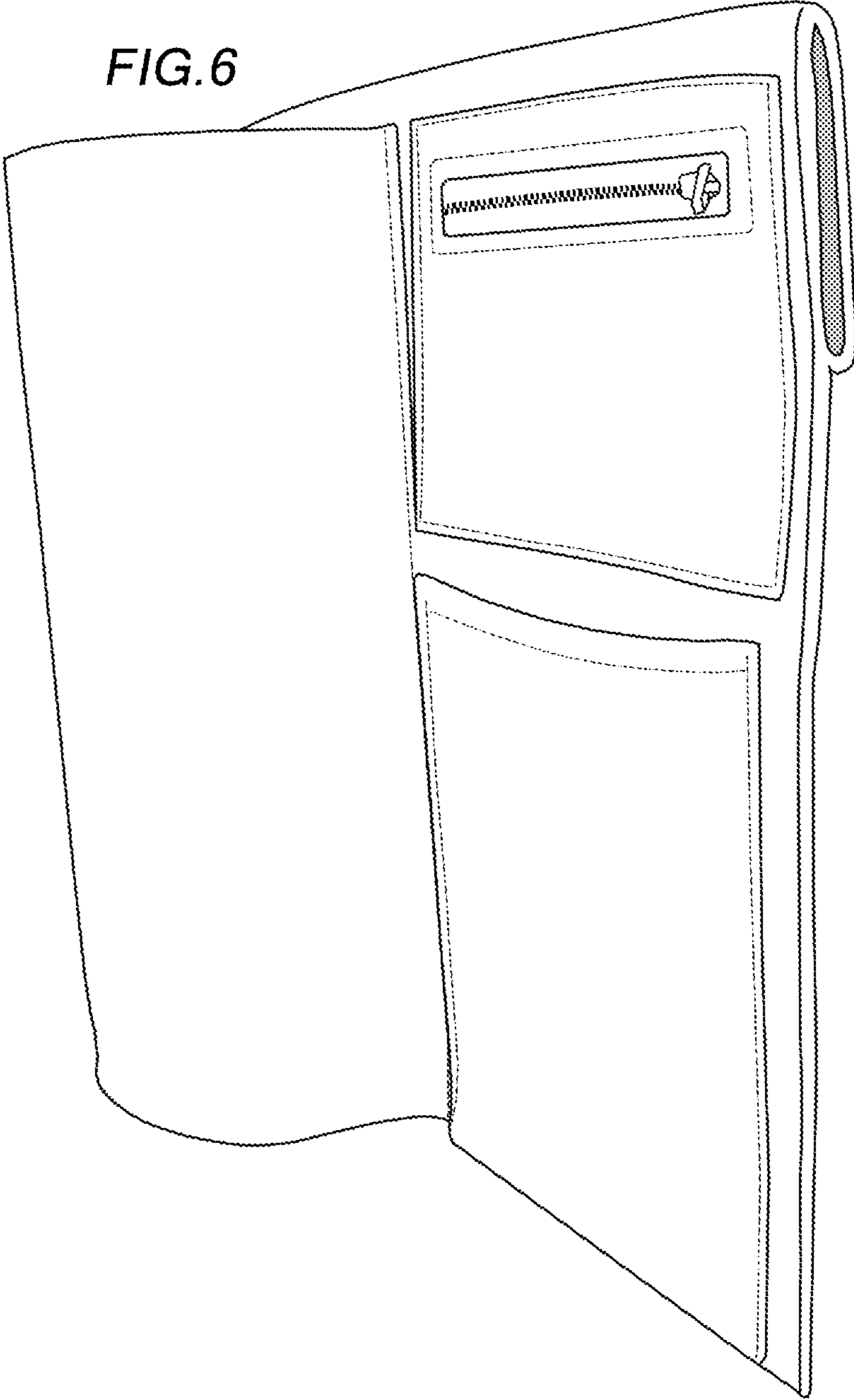


FIG.7

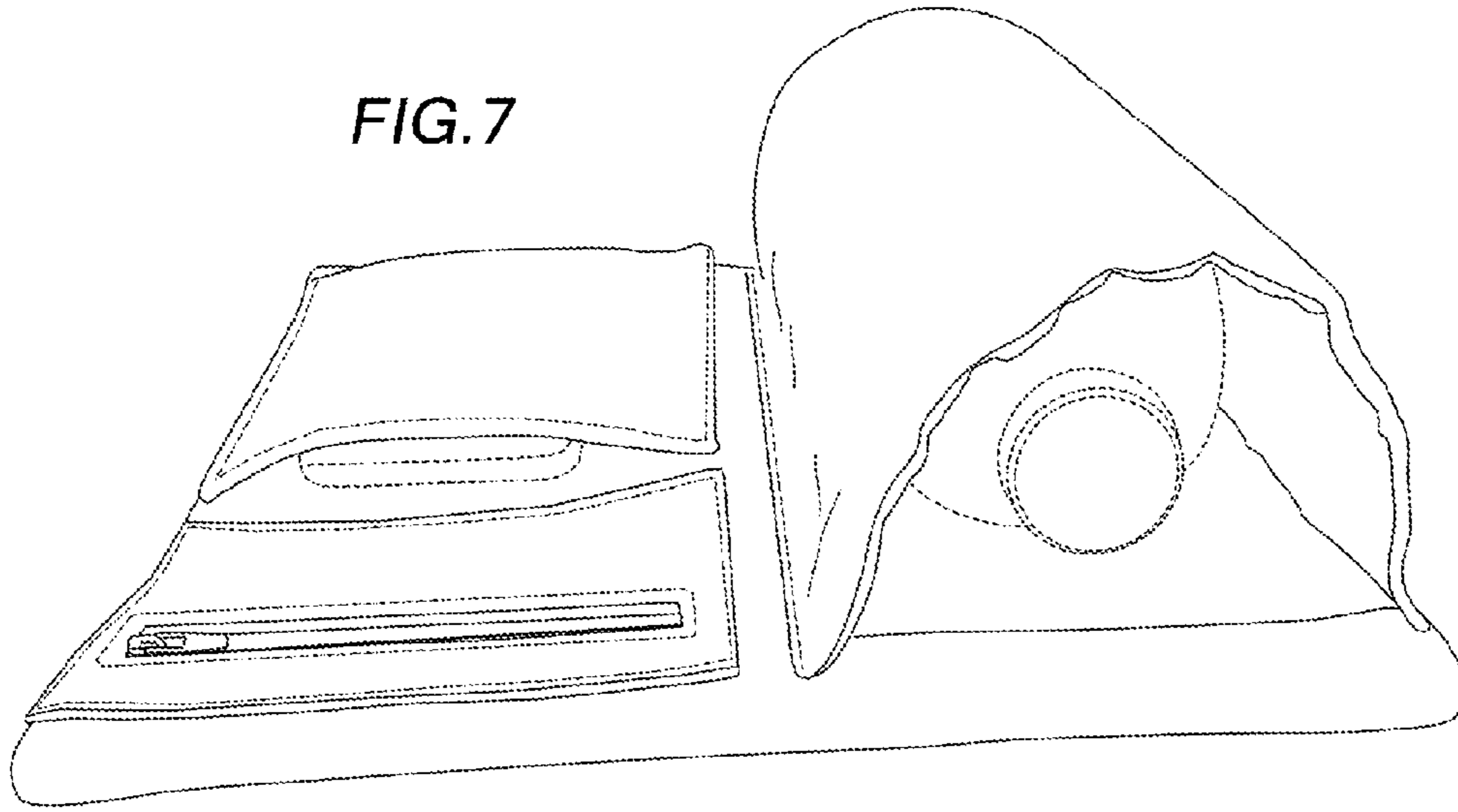


FIG.8

