



US00D686410S

(12) **United States Design Patent**  
**Belline et al.**

(10) **Patent No.:** **US D686,410 S**  
(45) **Date of Patent:** **\*\* Jul. 23, 2013**

(54) **GAME BAG WHICH IS REMOVABLY ATTACHABLE TO A JACKET**

(75) Inventors: **Ashley E. Belline**, Randolph, NJ (US);  
**Caitlin J. Staley**, Newton, NJ (US)

(73) Assignee: **Tahsin Industrial Corp., U.S.A.**,  
Randolph, NJ (US)

(\*\*) Term: **14 Years**

(21) Appl. No.: **29/405,581**

(22) Filed: **Nov. 3, 2011**

(51) **LOC (9) Cl.** ..... **03-01**

(52) **U.S. Cl.**  
USPC ..... **D3/221**

(58) **Field of Classification Search**  
USPC ..... D3/221, 215, 226; D22/199; 224/103;  
D2/828-829, 839, 857; 2/49.2, 94, 251;  
D29/101.4  
See application file for complete search history.

(56) **References Cited**

**U.S. PATENT DOCUMENTS**

2,755,480	A *	7/1956	Jones et al.	2/94
2,967,306	A *	1/1961	Fabanich	2/94
3,046,563	A *	7/1962	Coleman	2/251
4,476,587	A *	10/1984	Itoi	2/94
D343,944	S *	2/1994	Krugler	D2/857

(Continued)

**OTHER PUBLICATIONS**

Three photographs showing various images of a Cabela's upland jacket; Date unknown.

Three photographs showing various images of a Beretta upland jacket; Date unknown.

(Continued)

*Primary Examiner* — Catheri Oliver-Garcia

(74) *Attorney, Agent, or Firm* — Clark Hill PLC

(57) **CLAIM**

We claim the ornamental design for a game bag which is removably attachable to a jacket, as shown and described.

**DESCRIPTION**

FIG. 1 is an exploded rear view of the game bag according to our design showing the game bag removed from a jacket on which the game bag is removably attached and showing the game bag in a closed position;

FIG. 2 is an exploded perspective view of the game bag according to our design showing the game bag removed from a jacket on which the game bag is removably attached and showing the game bag in a closed position;

FIG. 3 is a front view of the game bag according to our design showing the game bag attached to a jacket and showing the game bag in a closed position;

FIG. 4 is a front view of the game bag according to our design showing the game bag in a closed position;

FIG. 5 is a rear view of the game bag according to our design showing the game bag in a closed position;

FIG. 6 is a right side view of the game bag according to our design showing the game bag in a closed position;

FIG. 7 is a left side view of the game bag according to our design showing the game bag in a closed position;

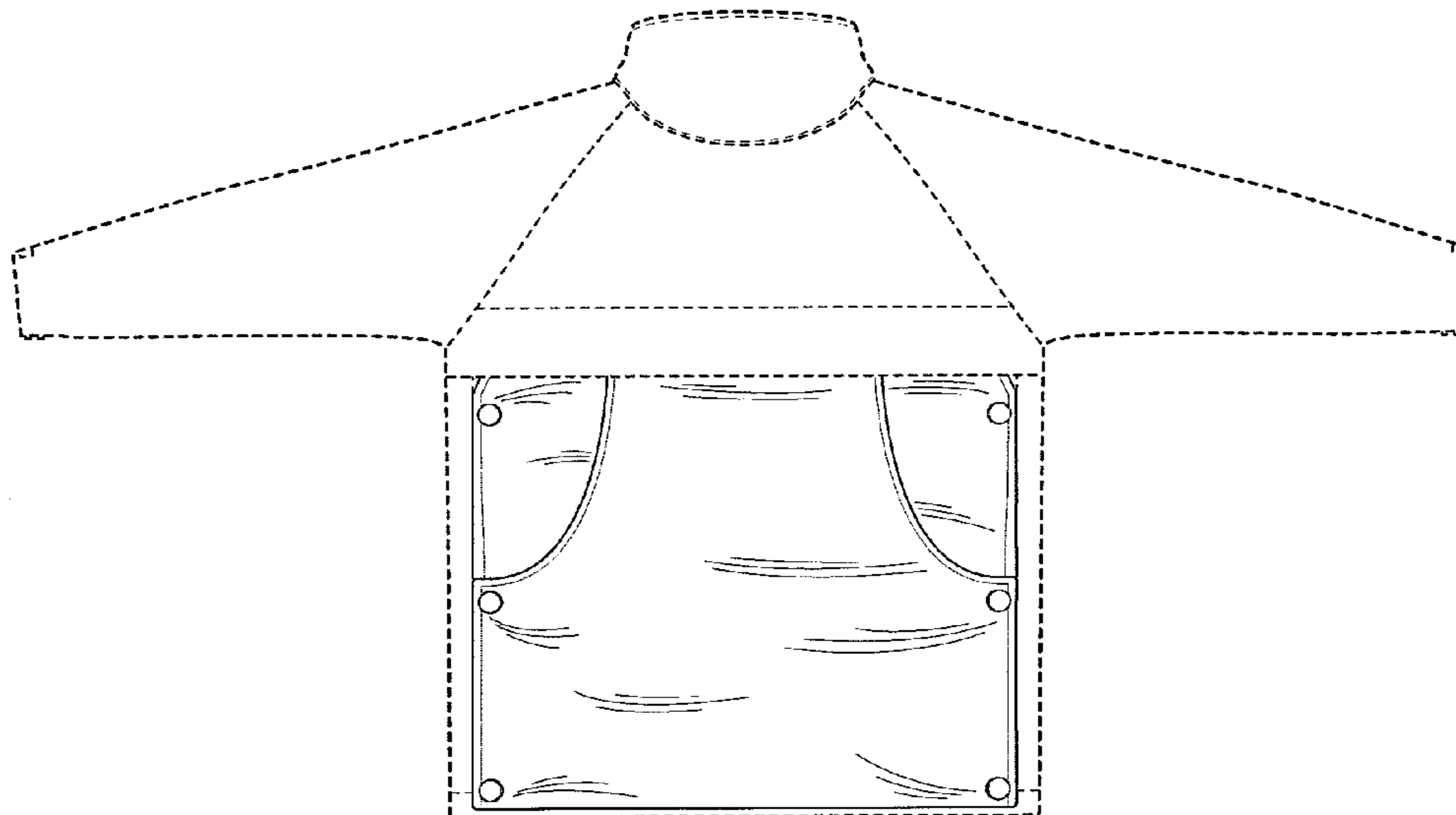
FIG. 8 is a top plan view of the game bag according to our design showing the game bag in a closed position;

FIG. 9 is a bottom plan view of the game bag according to our design showing the game bag in a closed position; and,

FIG. 10 is a perspective view of the game bag according to our design showing the game bag in an open position.

The broken lines showing in FIGS. 1-3 are for illustrative purposes only to show the environment, namely a jacket, on which the game bag is removably attached, and forms no part of the claimed design.

**1 Claim, 4 Drawing Sheets**



# US D686,410 S

Page 2

---

## U.S. PATENT DOCUMENTS

5,784,719 A \* 7/1998 Robinson ..... 2/94  
D414,013 S \* 9/1999 Group ..... D2/828  
6,295,650 B1 10/2001 Baacke  
D531,793 S \* 11/2006 Filgueiras ..... D3/221  
D662,283 S \* 6/2012 Gobble et al. .... D2/829

## OTHER PUBLICATIONS

Three photographs showing various images of a Browning upland jacket; Date unknown.

\* cited by examiner

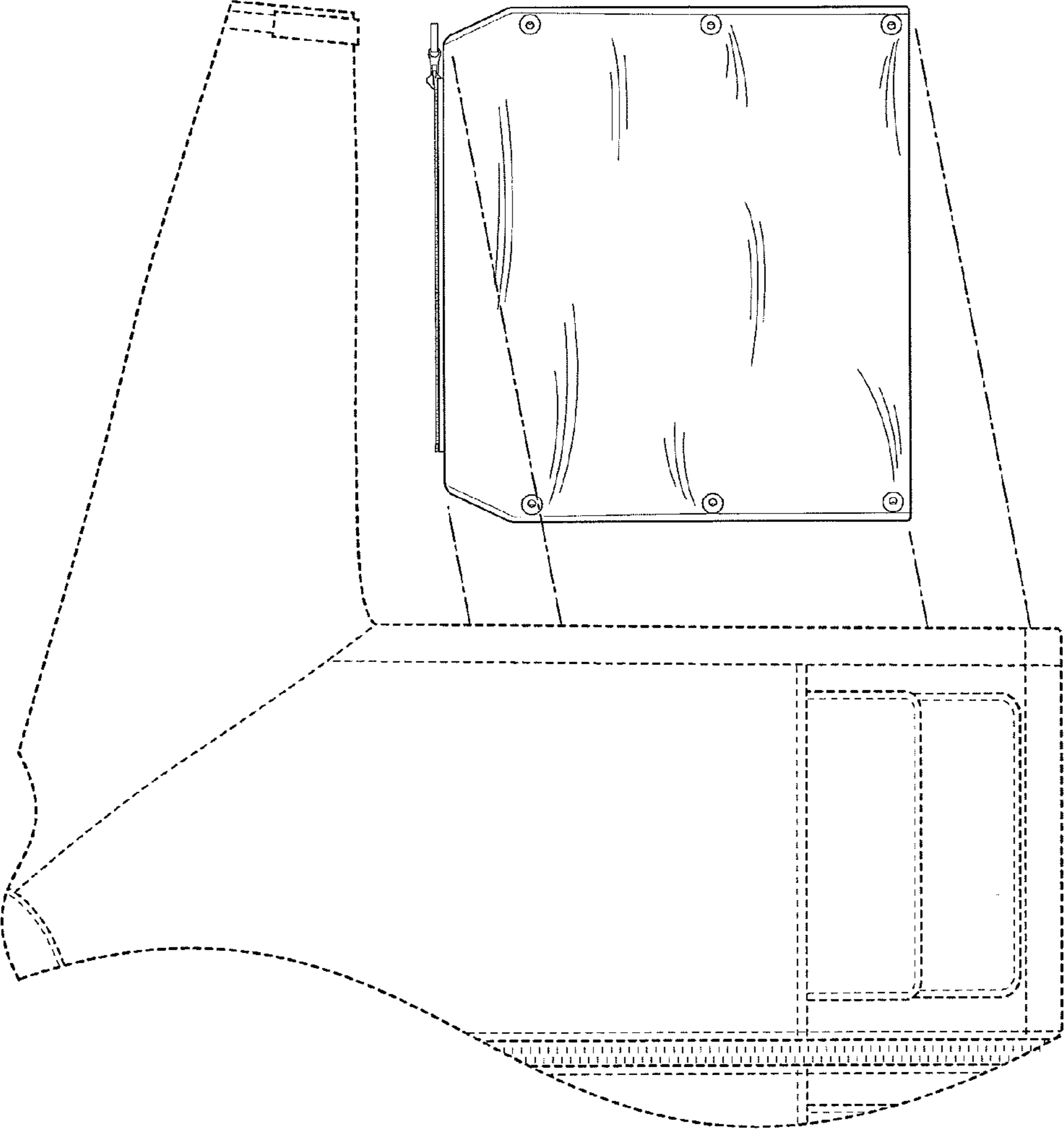


FIG. 1

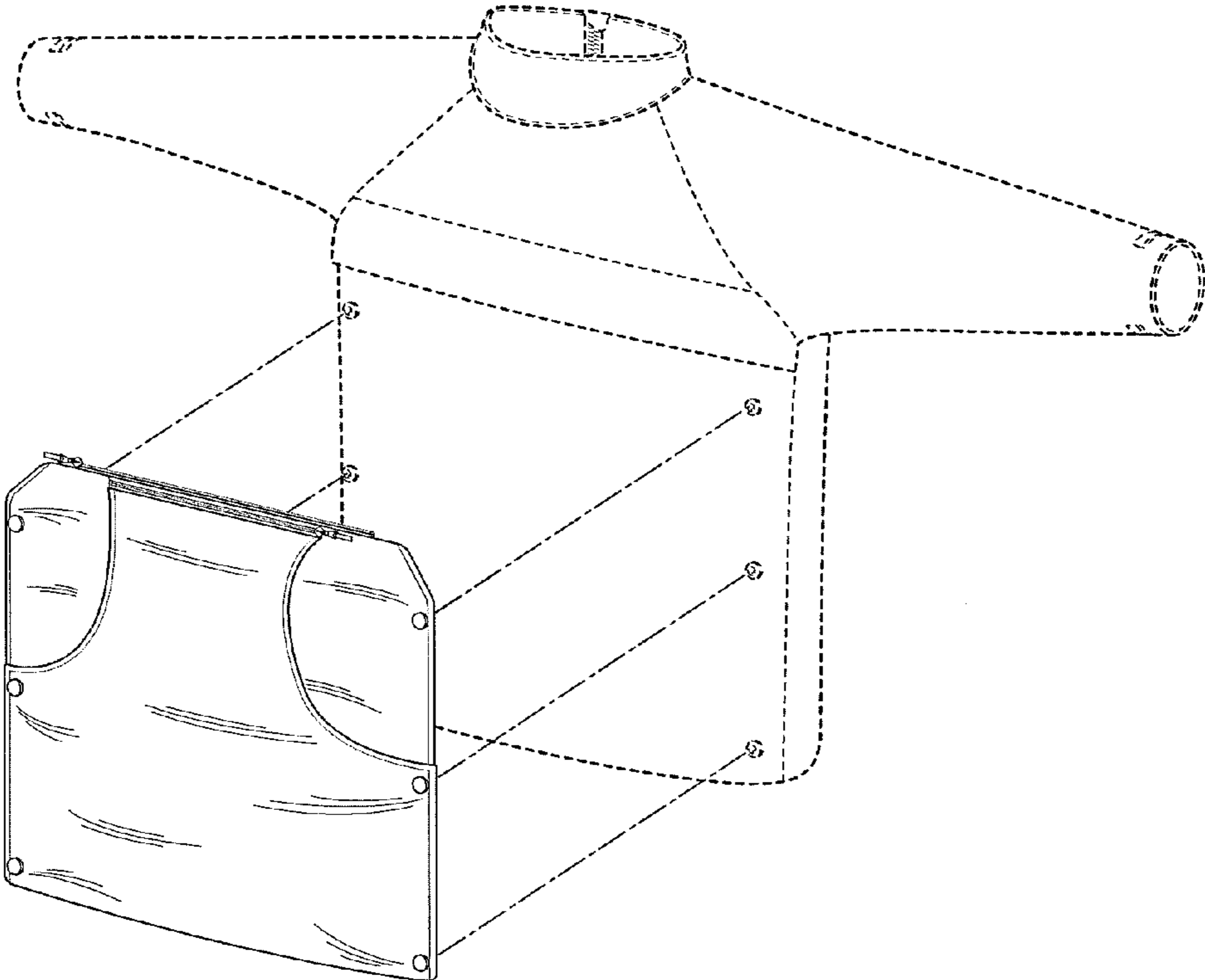


FIG. 2

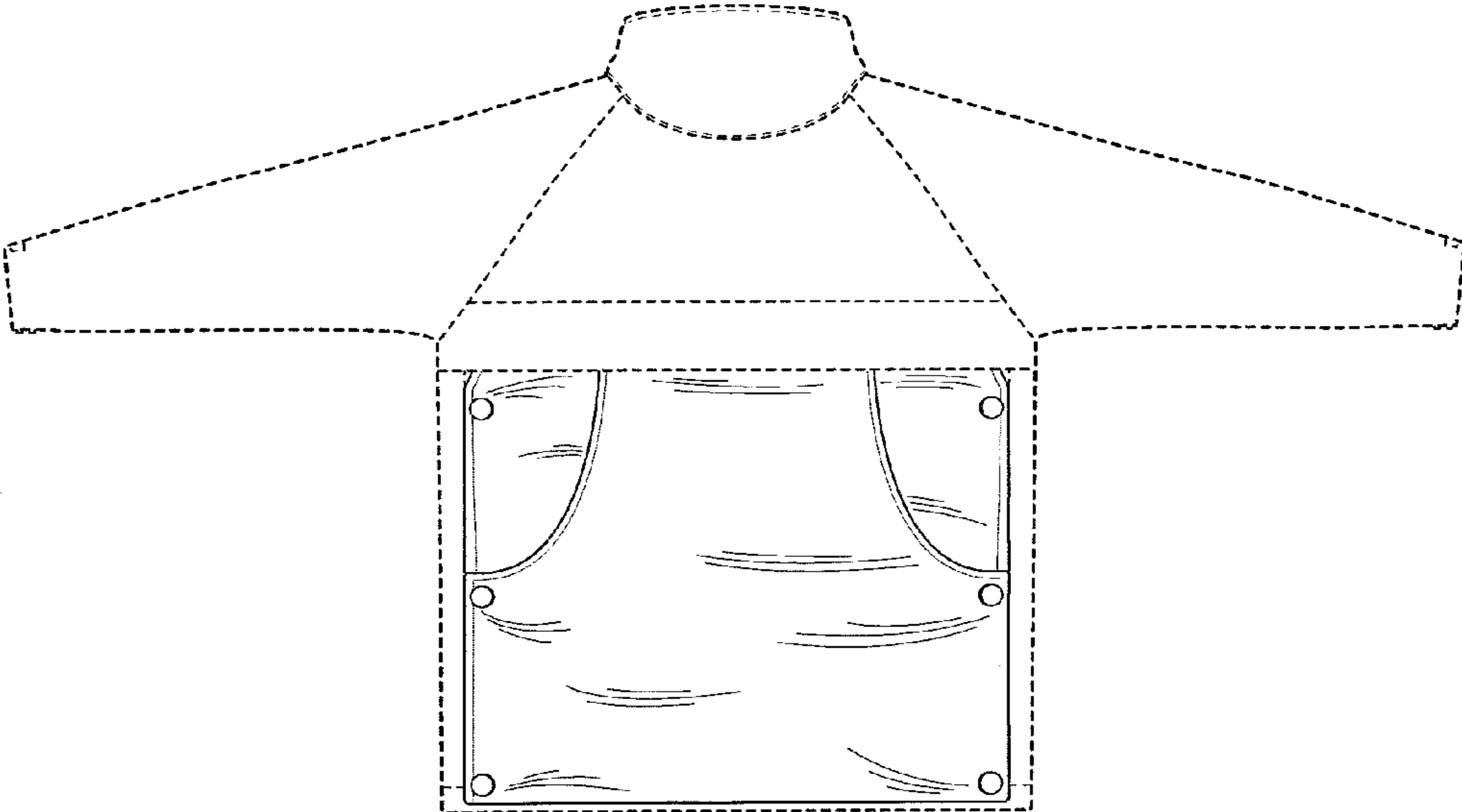


FIG. 3

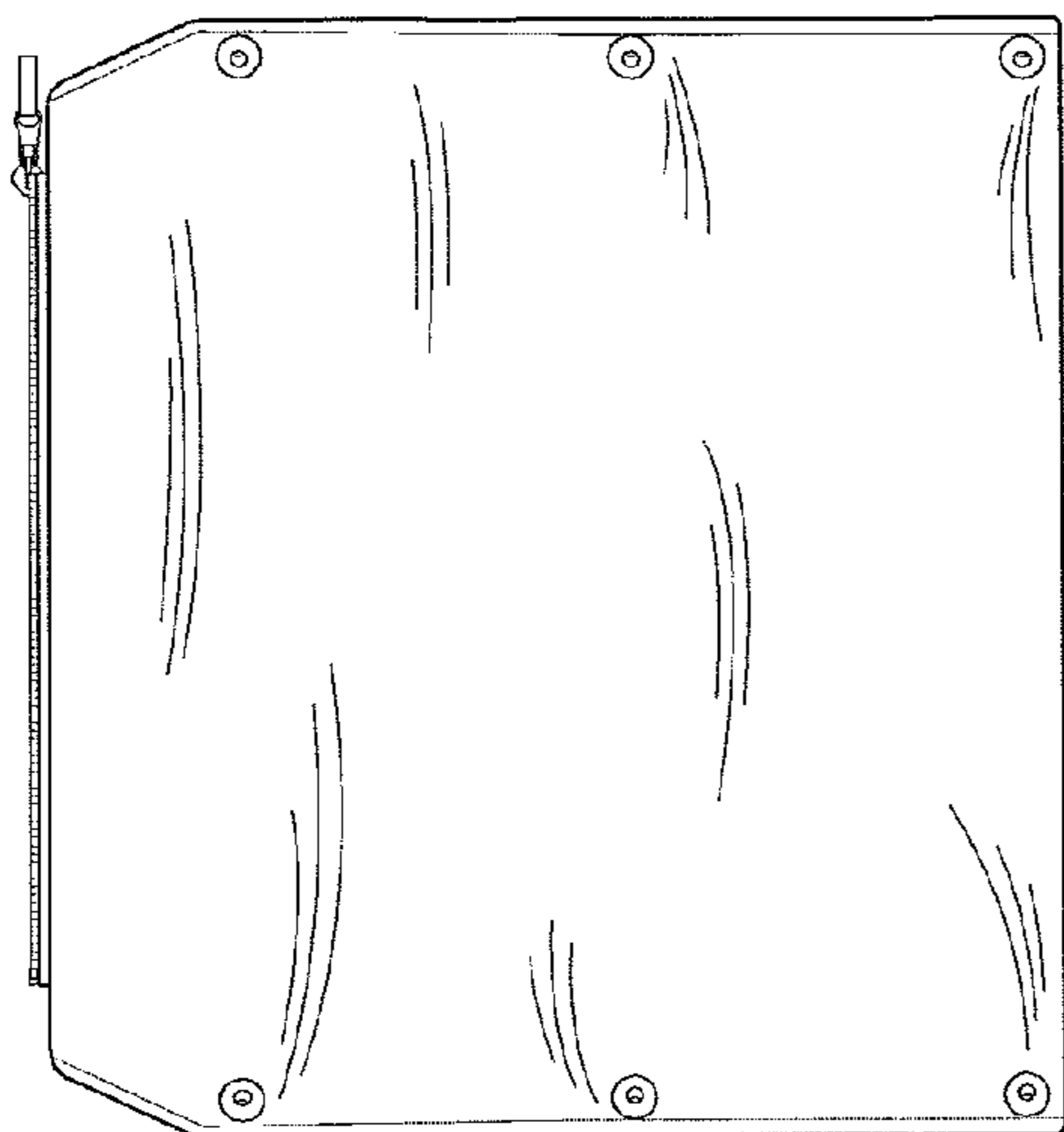


FIG. 5

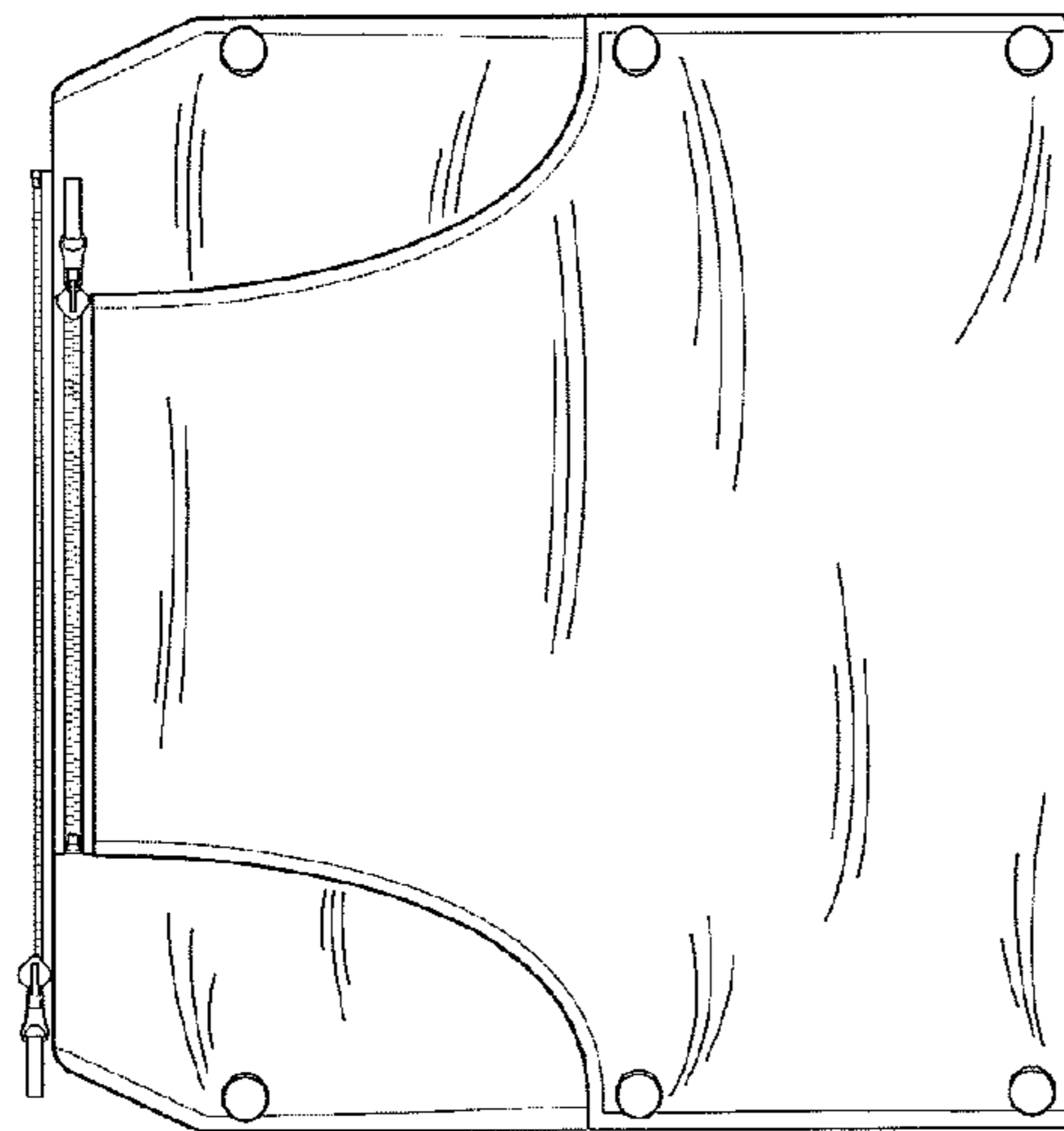


FIG. 4



FIG. 7

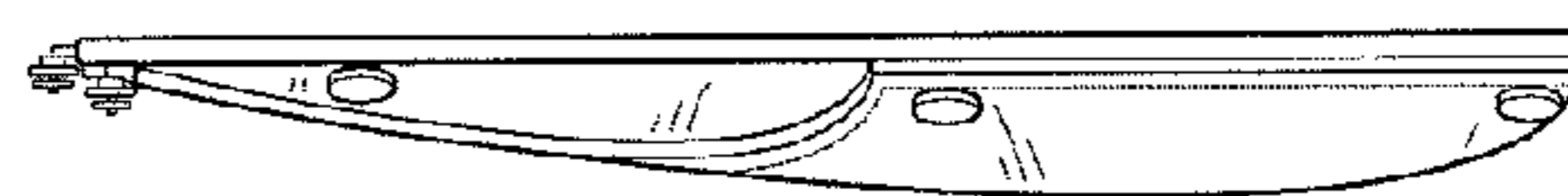


FIG. 6

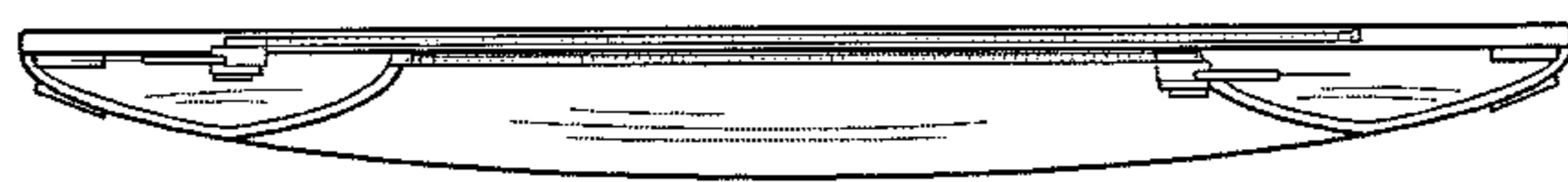


FIG. 8

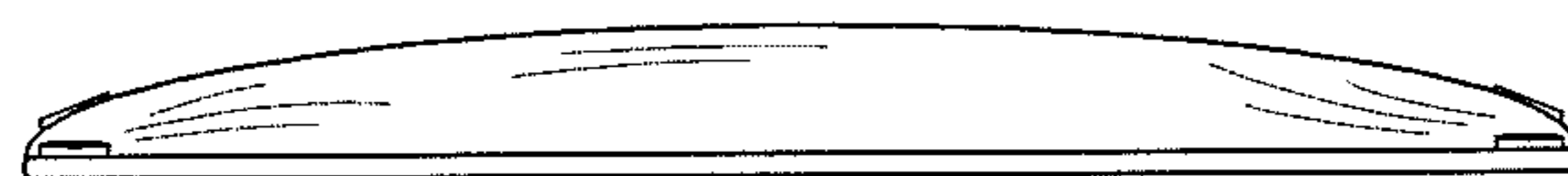


FIG. 9

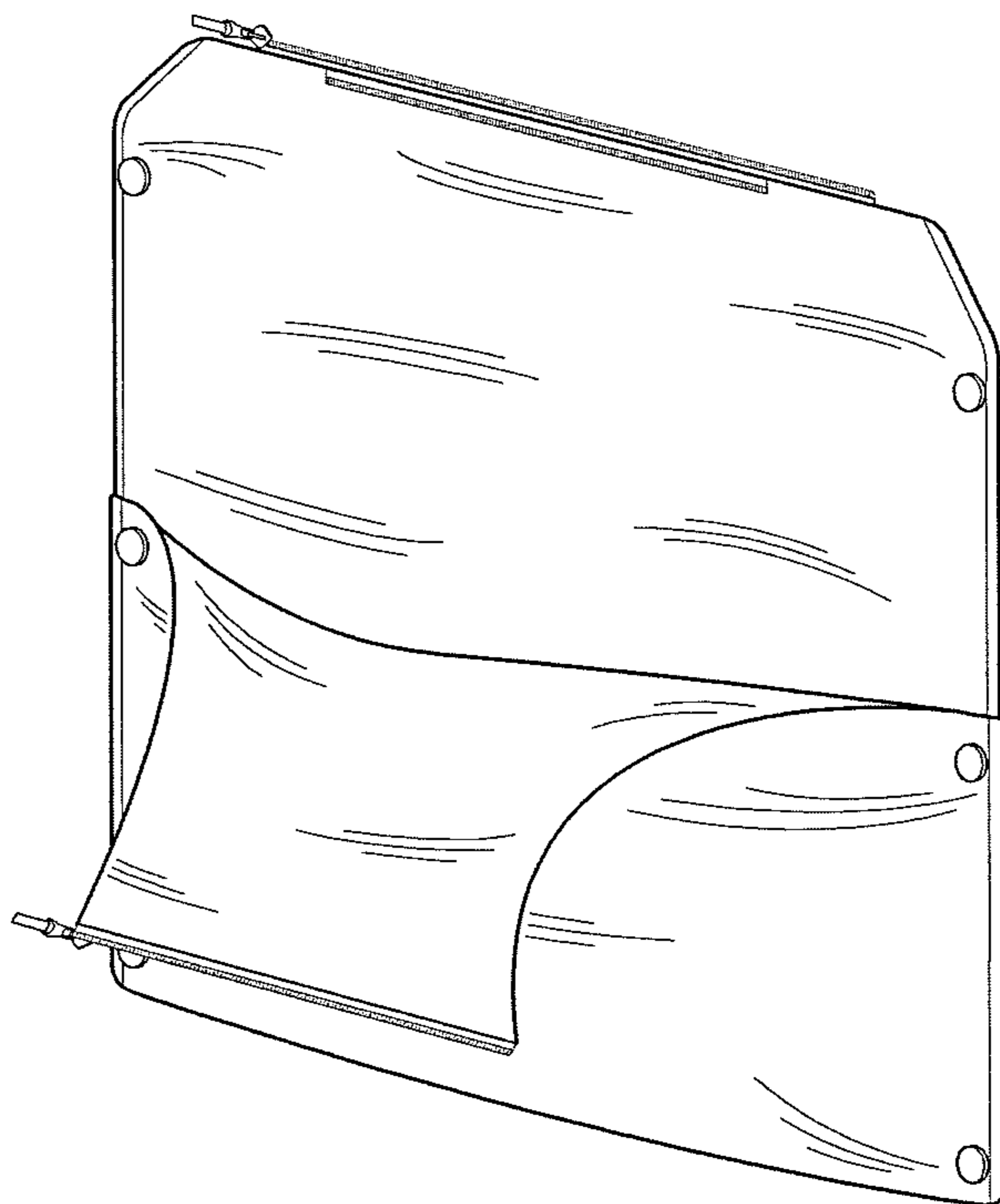


FIG. 10