



US00D686409S

(12) **United States Design Patent**
Pearce

(10) **Patent No.:** **US D686,409 S**
(45) **Date of Patent:** **** Jul. 23, 2013**

(54) **BELT-MOUNTED, TWO-WAY RADIO HOLDER UNIT ASSEMBLY**

(76) Inventor: **Timothy A Pearce**, Redondo Beach, CA (US)

(**) Term: **14 Years**

(21) Appl. No.: **29/404,501**

(22) Filed: **Oct. 21, 2011**

(51) **LOC (9) Cl.** **03-01**

(52) **U.S. Cl.**
USPC **D3/218**

(58) **Field of Classification Search**

USPC D3/218, 215; 224/197, 199, 219, 224/222, 247, 269, 271-272, 666, 668; 248/221.11, 518; 24/3.12, 573.11, 580.11, 24/663, 669, DIG. 60; 455/351

See application file for complete search history.

(56) **References Cited**

U.S. PATENT DOCUMENTS

3,743,147 A 7/1973 Wilczynski
4,419,794 A * 12/1983 Horton et al. 24/667

(Continued)

Primary Examiner — Catheri Oliver-Garcia

(74) *Attorney, Agent, or Firm* — BL Speer & Associates; Brenda L. Speer

(57) **CLAIM**

The ornamental design for a belt-mounted, two-way radio holder unit assembly, as shown and described.

DESCRIPTION

FIG. 1 is a right front perspective view of a belt-mount member, in accordance with a first embodiment thereof, of a belt-mounted, two-way radio holder unit assembly.

FIG. 2 is a left front perspective view of the belt-mount member, in accordance with the first embodiment thereof, of the belt-mounted, two-way radio holder unit assembly.

FIG. 3 is a rear elevation view of the belt-mount member, in accordance with the first embodiment thereof, of the belt-mounted, two-way radio holder unit assembly.

FIG. 4 is a bottom perspective view of the belt-mount member, in accordance with a first embodiment thereof, of the belt-mounted, two-way radio holder unit assembly.

FIG. 5 is a left front perspective view of a belt-mount member, in accordance with a second embodiment thereof, of the belt-mounted, two-way radio holder unit assembly.

FIG. 6 is a right rear perspective view of the belt-mount member, in accordance with the second embodiment thereof, of the belt-mounted, two-way radio holder unit assembly.

FIG. 7 is a bottom perspective view of the belt-mount member, in accordance with a second embodiment thereof, of the belt-mounted, two-way radio holder unit assembly.

FIG. 8 is a left front perspective view of a belt-mount member, in accordance with a third embodiment thereof, of the belt-mounted, two-way radio holder unit assembly.

FIG. 9 is a right rear perspective view of the belt-mount member, in accordance with the third embodiment thereof, of the belt-mounted, two-way radio holder unit assembly.

FIG. 10 is a bottom perspective view of the belt-mount member, in accordance with the third embodiment thereof, of the belt-mounted, two-way radio holder unit assembly.

FIG. 11 is a right front perspective view of a radio holder member, in accordance with a first embodiment thereof, of the belt-mounted, two-way radio holder unit assembly.

FIG. 12 is a left rear perspective view of the radio holder member, in accordance with the first embodiment thereof, of the belt-mounted, two-way radio holder unit assembly.

FIG. 13 is a left front perspective view of a radio holder member, in accordance with a second embodiment thereof, of the belt-mounted, two-way radio holder unit assembly.

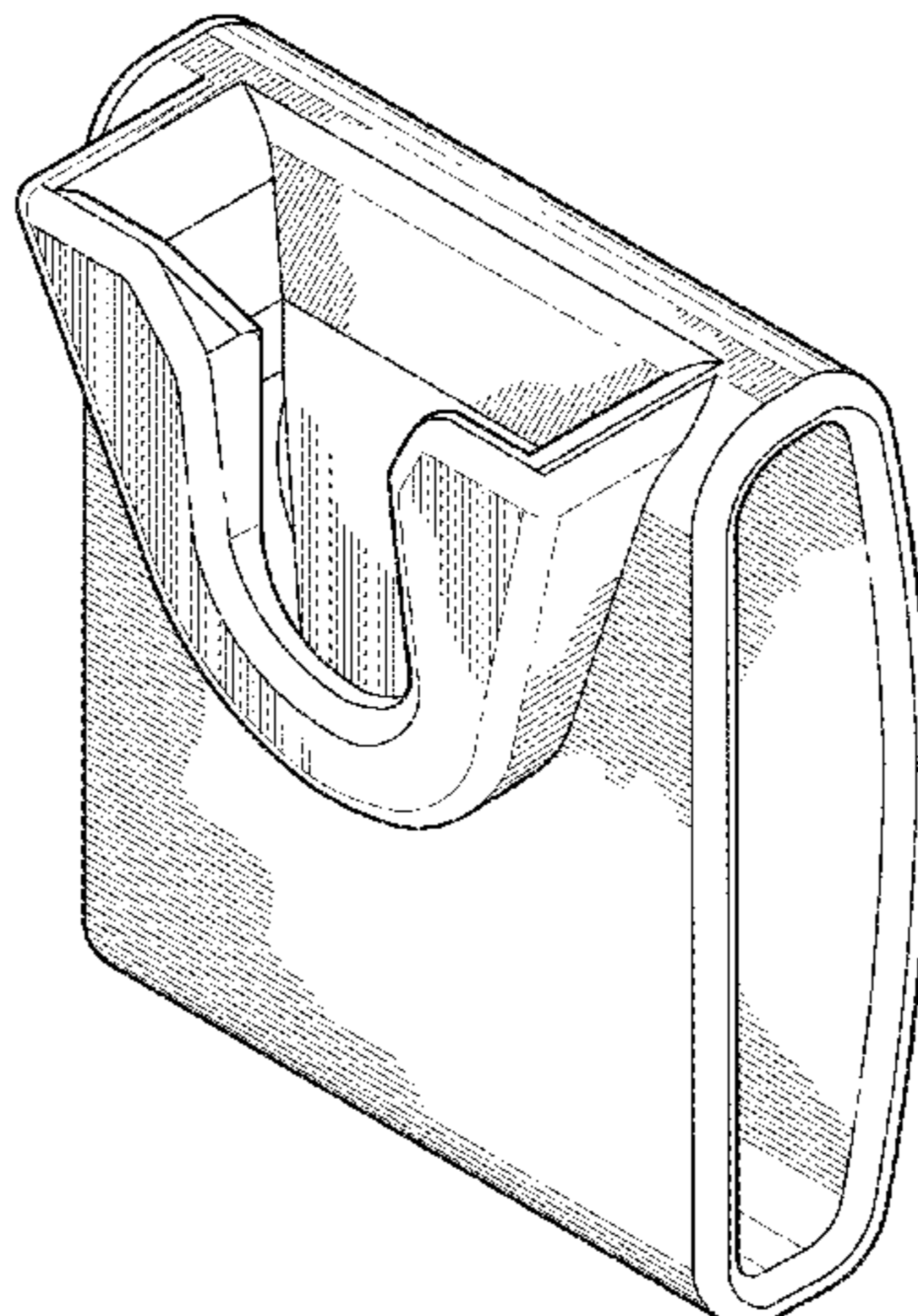
FIG. 14 is a right front perspective view of the radio holder member, in accordance with the second embodiment thereof, of the belt-mounted, two-way radio holder unit assembly.

FIG. 15 is a top plan view of the radio holder member, in accordance with the second embodiment thereof, of the belt-mounted, two-way radio holder unit assembly; and,

FIG. 16 is a left front perspective view of the belt-mount member, in accordance with the second embodiment thereof, in mated relation with the radio holder member, in accordance with the first embodiment thereof, of the belt-mounted, two-way radio holder unit assembly.

In FIG. 16, the broken lines showing environmental structure of a belt within a belt-mount member and a two-way radio mounted on a radio holder member of the belt-mounted, two-way radio holder unit assembly are for illustrative purposes only and form no part of the claimed design.

1 Claim, 16 Drawing Sheets



US D686,409 S

Page 2

U.S. PATENT DOCUMENTS

5,054,170 A 10/1991 Otrusina
5,347,693 A * 9/1994 Otrusina 24/573.11
5,584,423 A * 12/1996 Wang 224/197
5,597,102 A 1/1997 Saarikko et al.
5,850,996 A 12/1998 Liang
5,906,031 A 5/1999 Jensen
6,233,788 B1 5/2001 Choy et al.

D478,418 S * 8/2003 Badillo et al. D3/218
D548,960 S * 8/2007 Tages et al. D3/218
D609,460 S * 2/2010 Riccardi D3/218
7,832,606 B2 11/2010 Sin
8,141,210 B2 * 3/2012 Colorado 24/3.12
D675,014 S * 1/2013 Adelman et al. D3/218

* cited by examiner

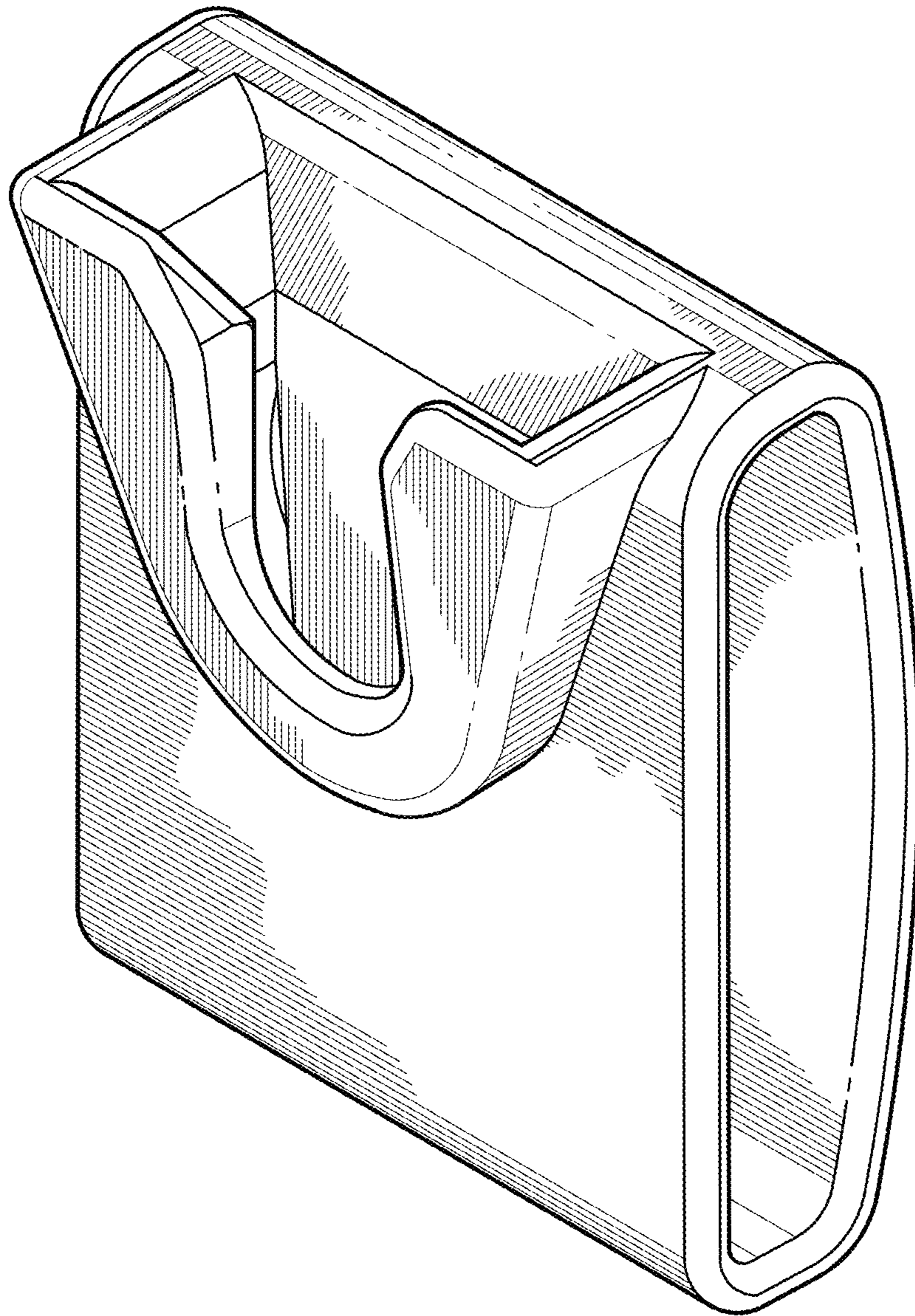


FIG. 1

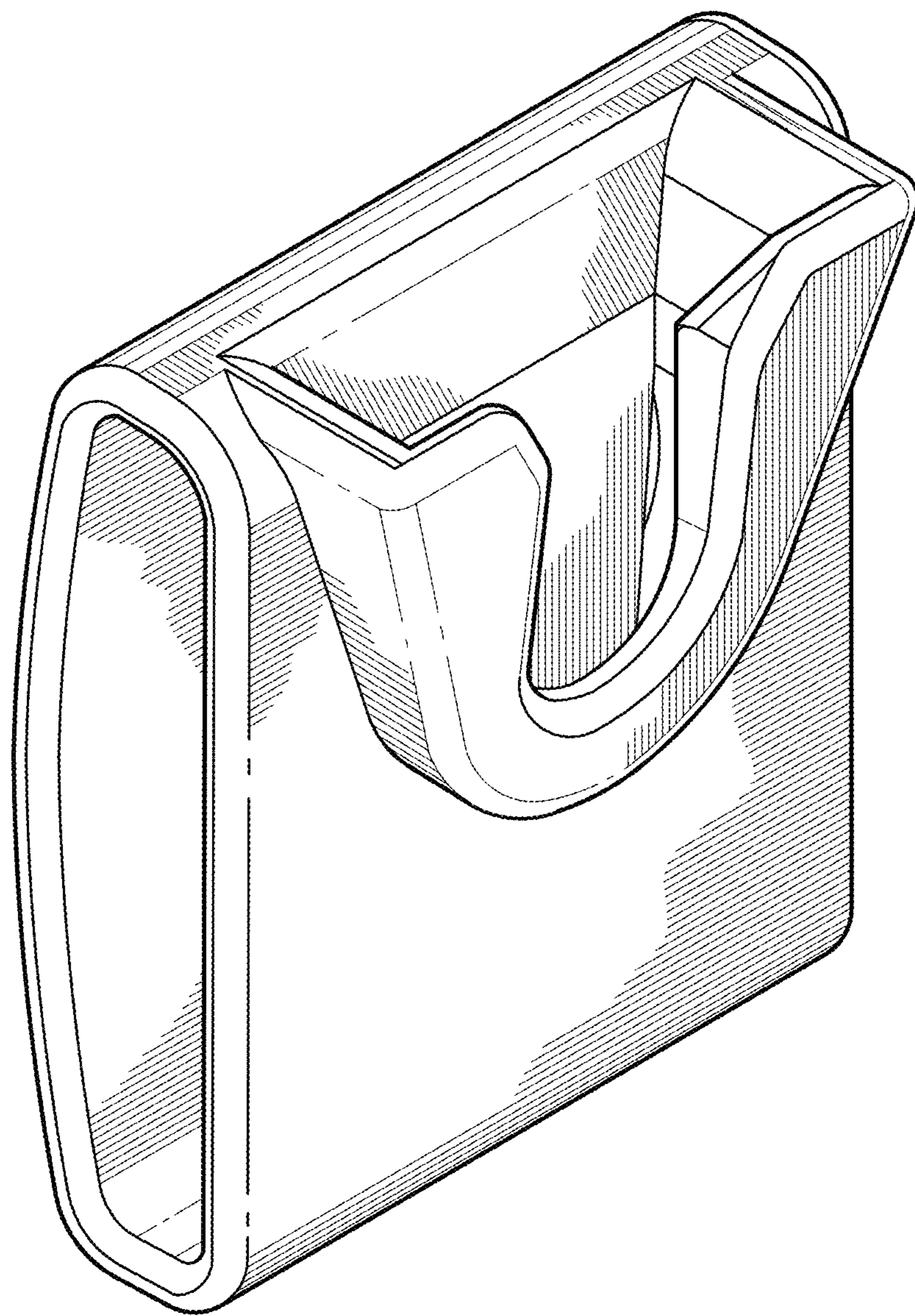


FIG. 2

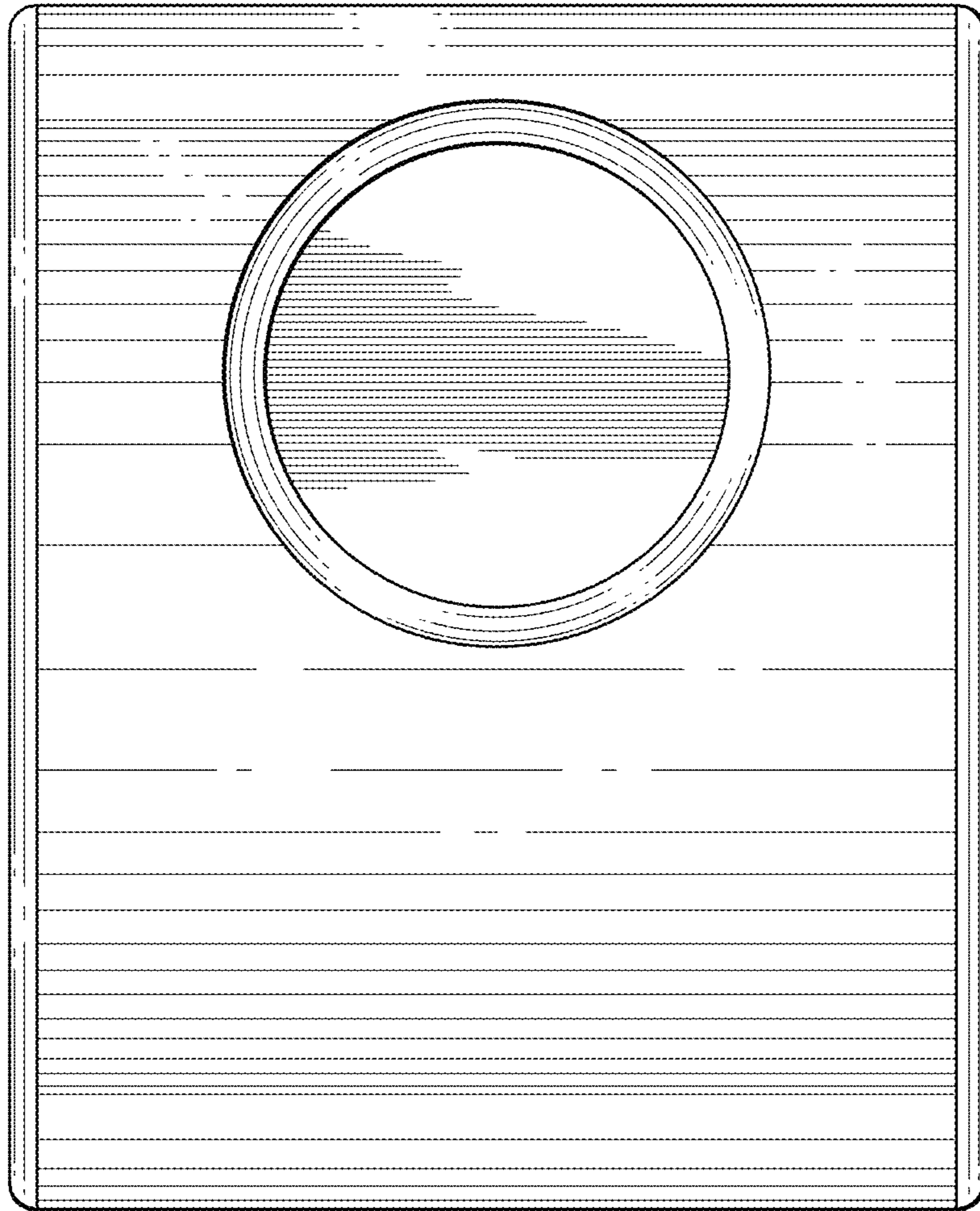


FIG. 3

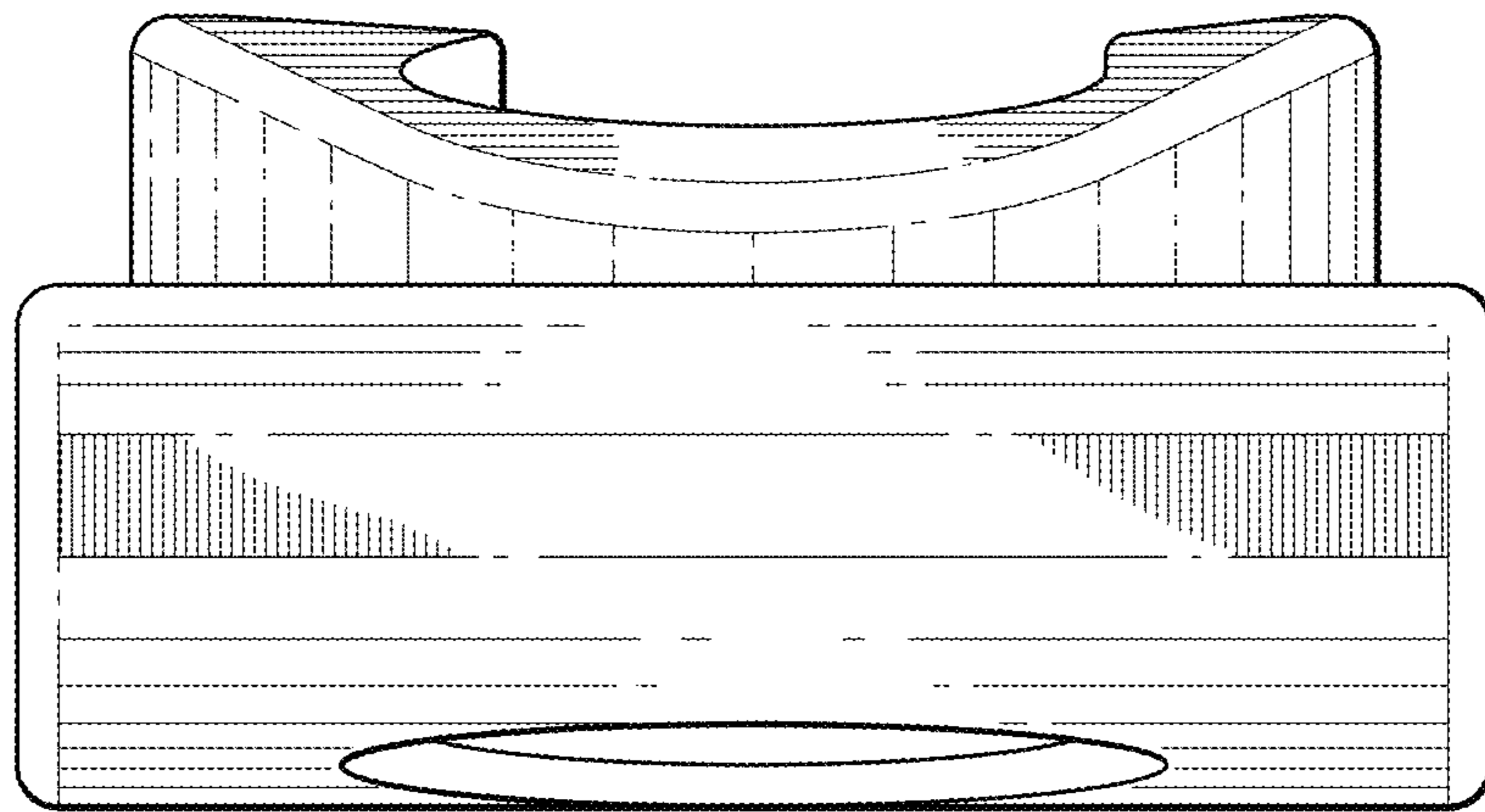


FIG. 4

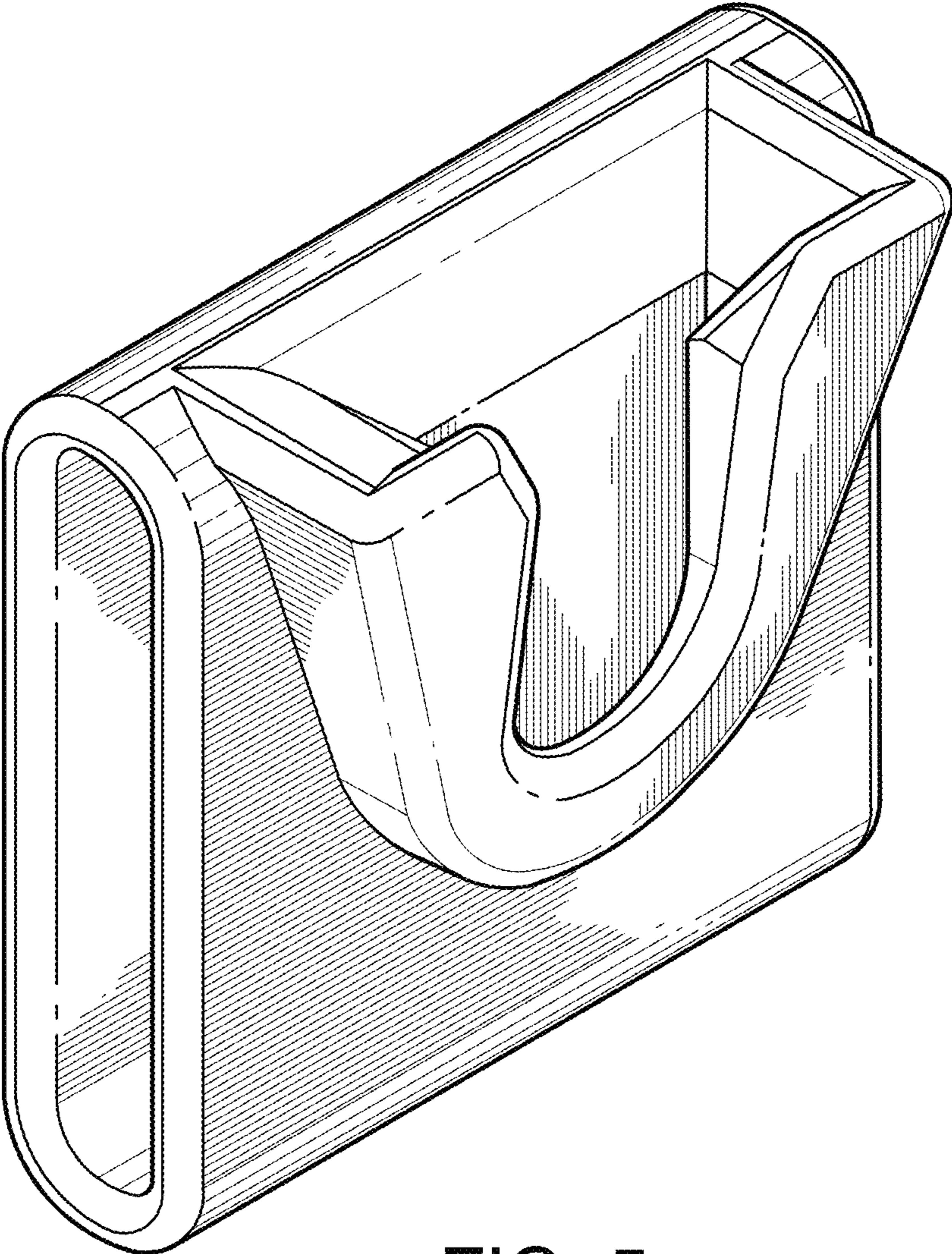


FIG. 5

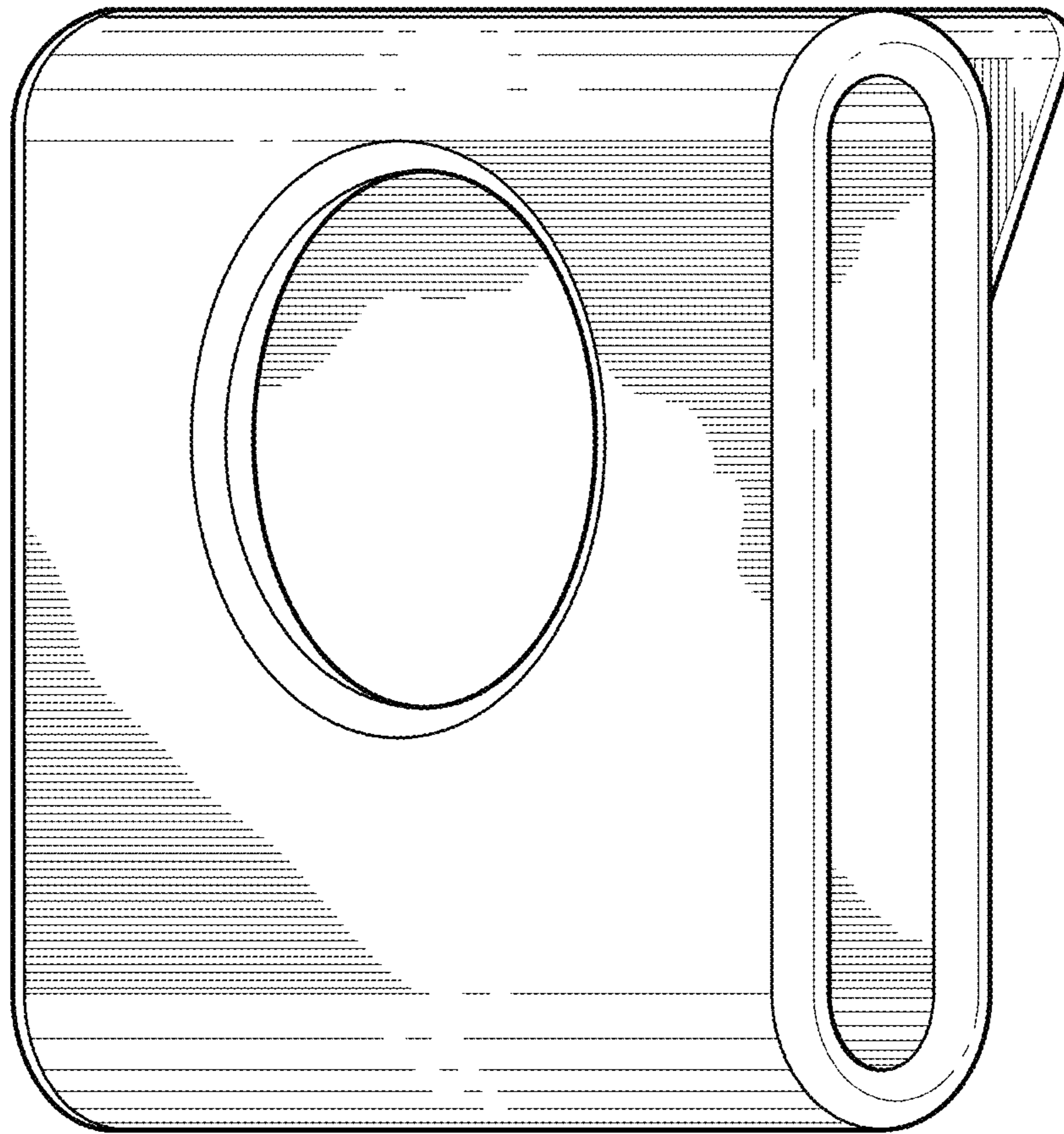


FIG. 6

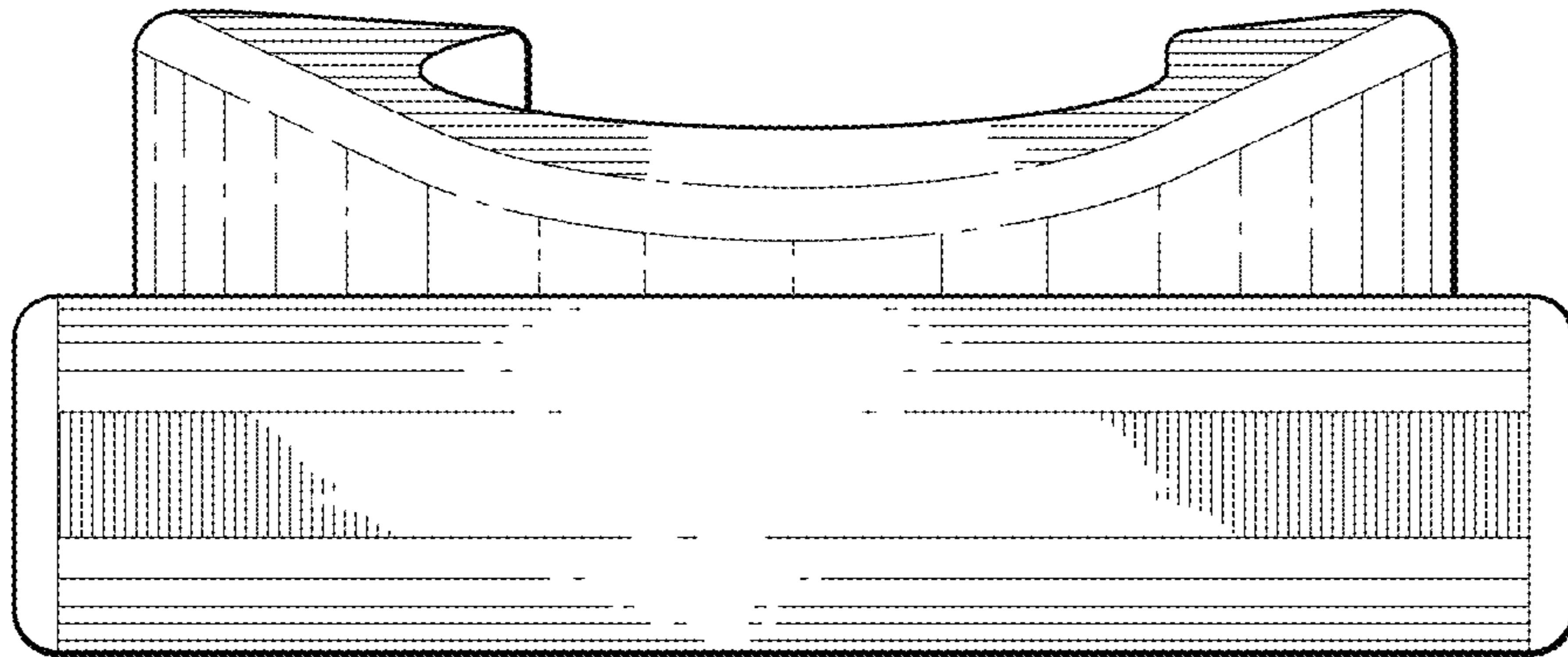


FIG. 7

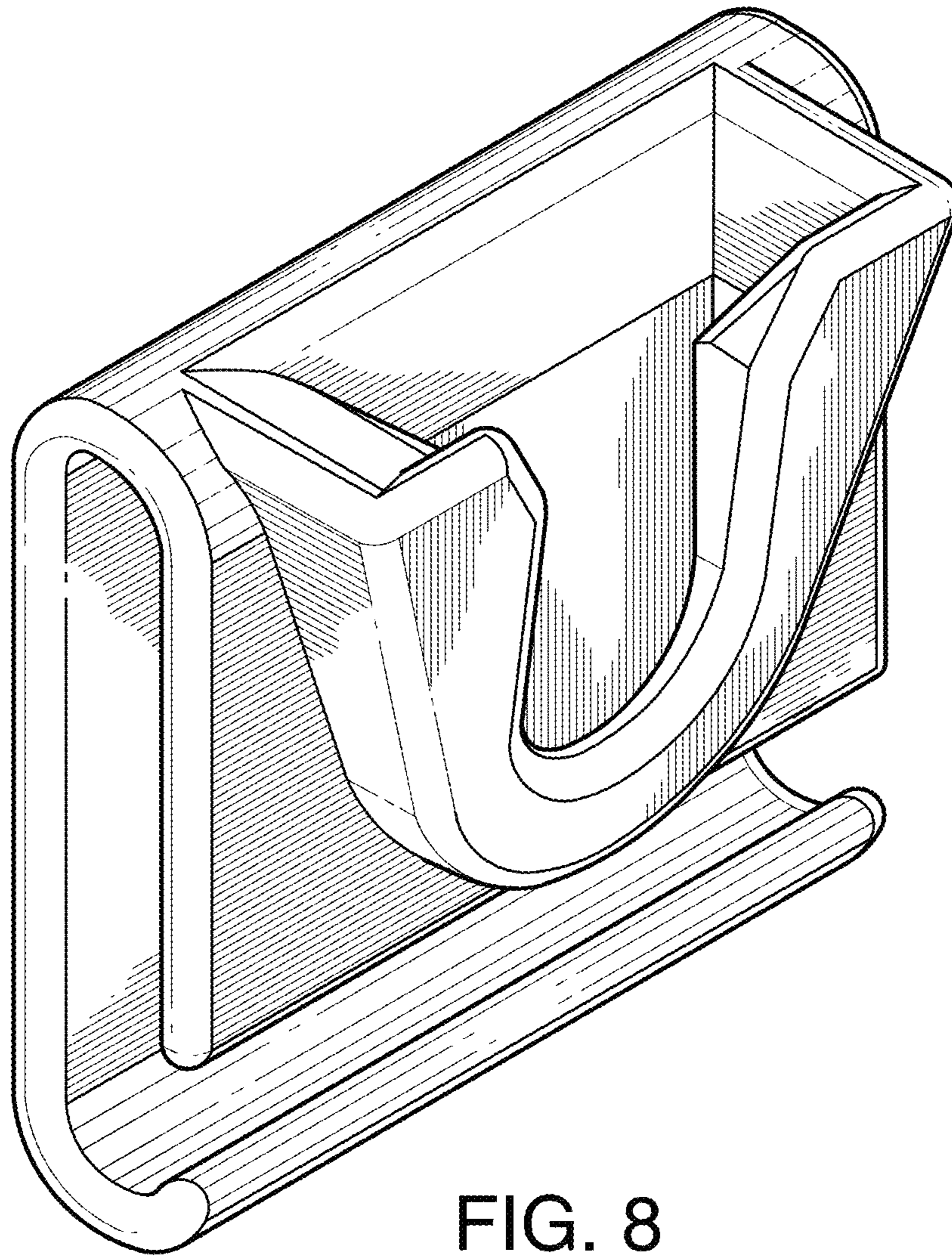


FIG. 8

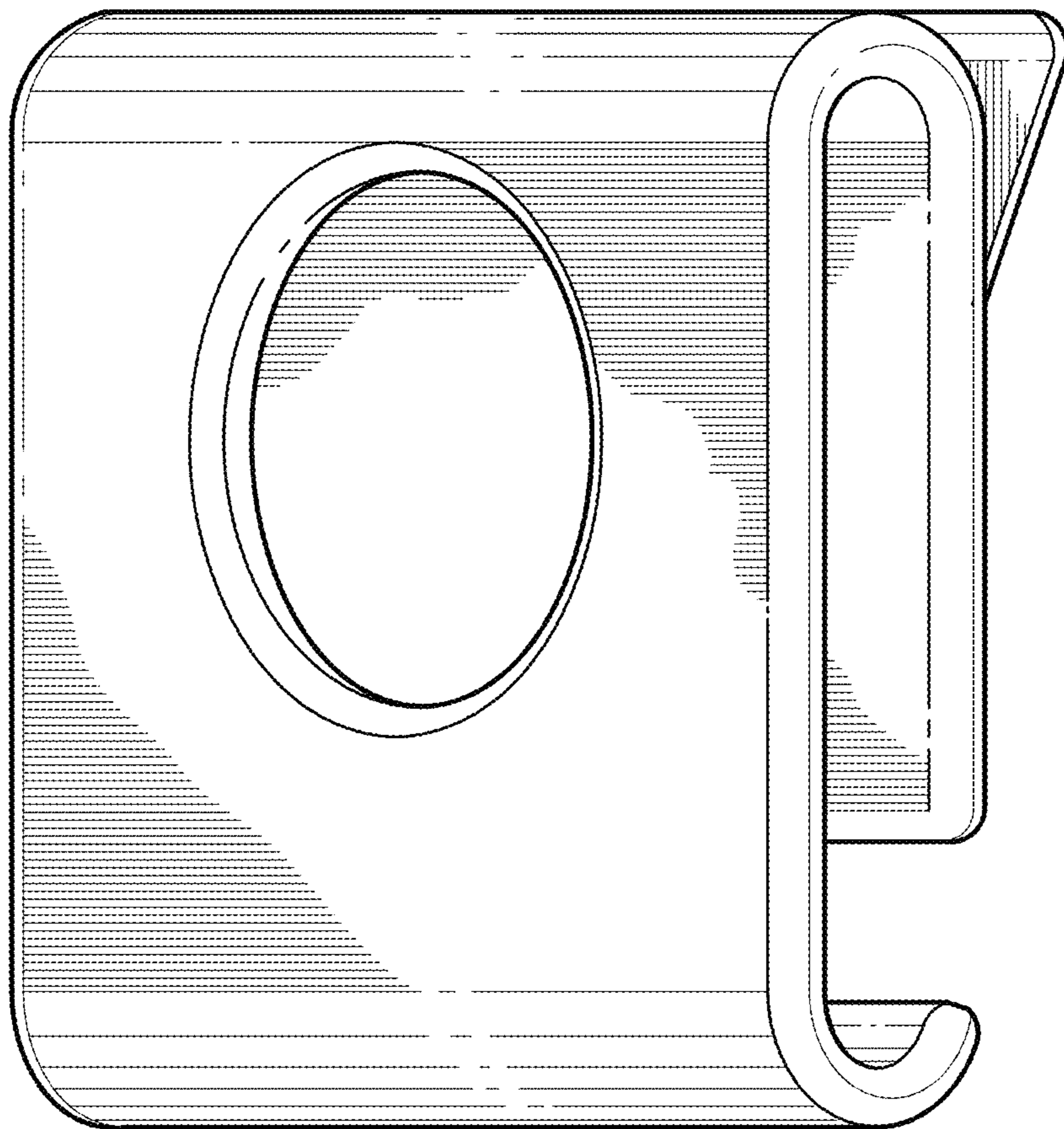


FIG. 9

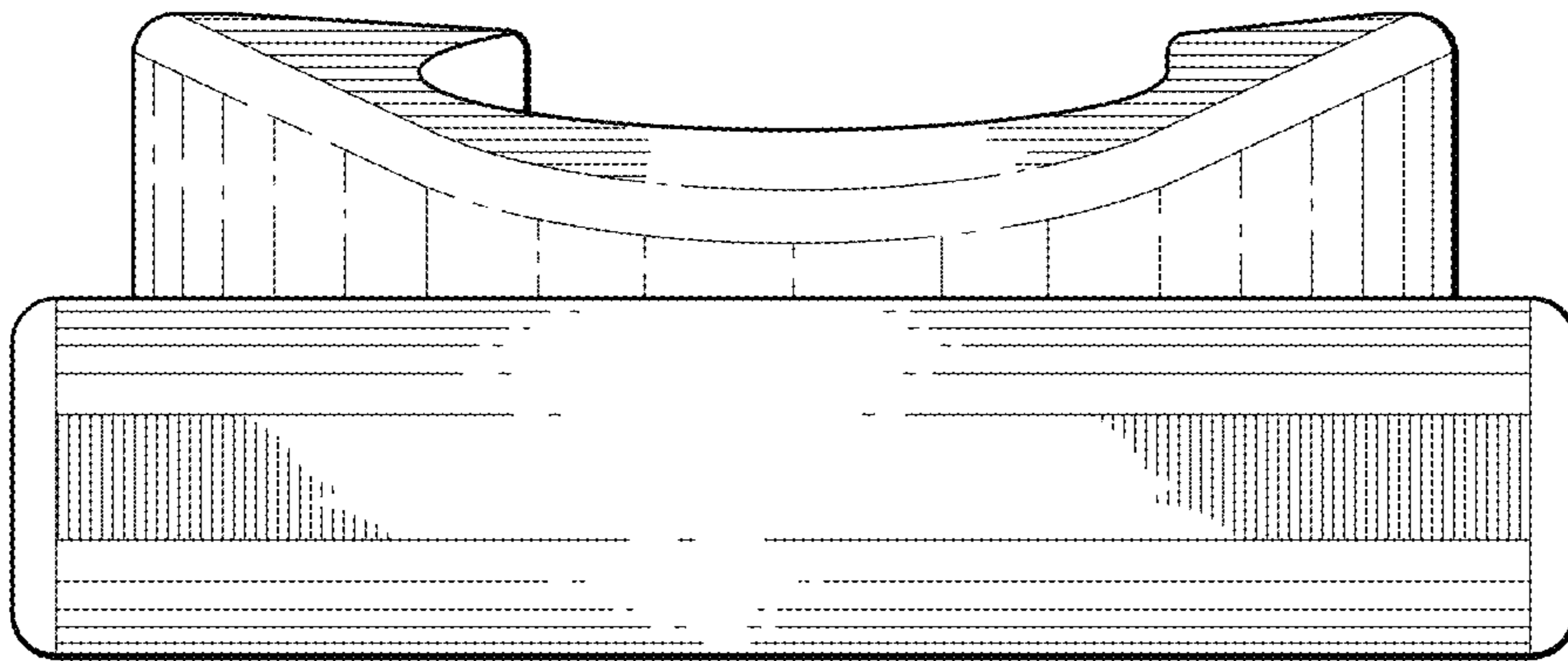


FIG. 10

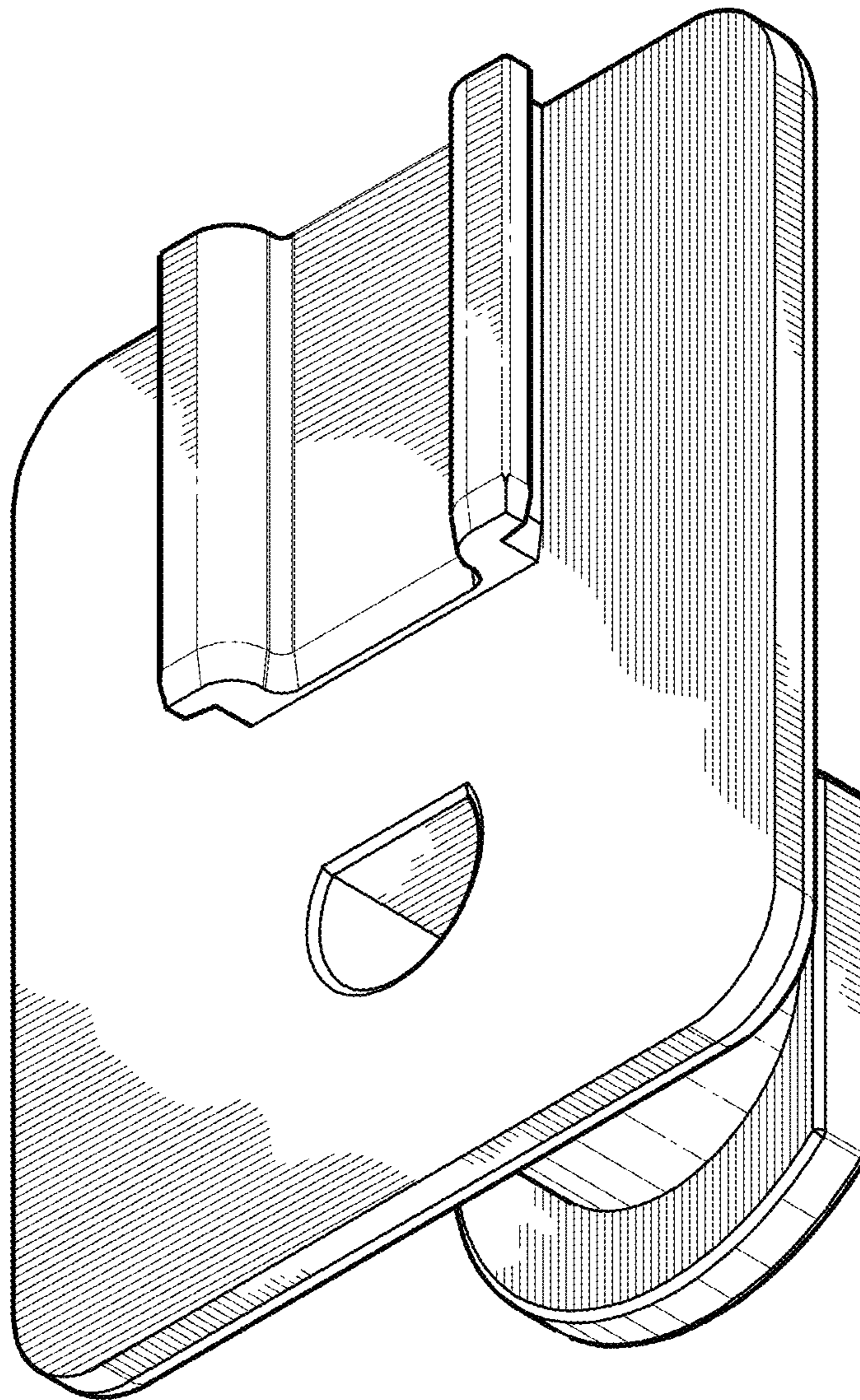


FIG. 11

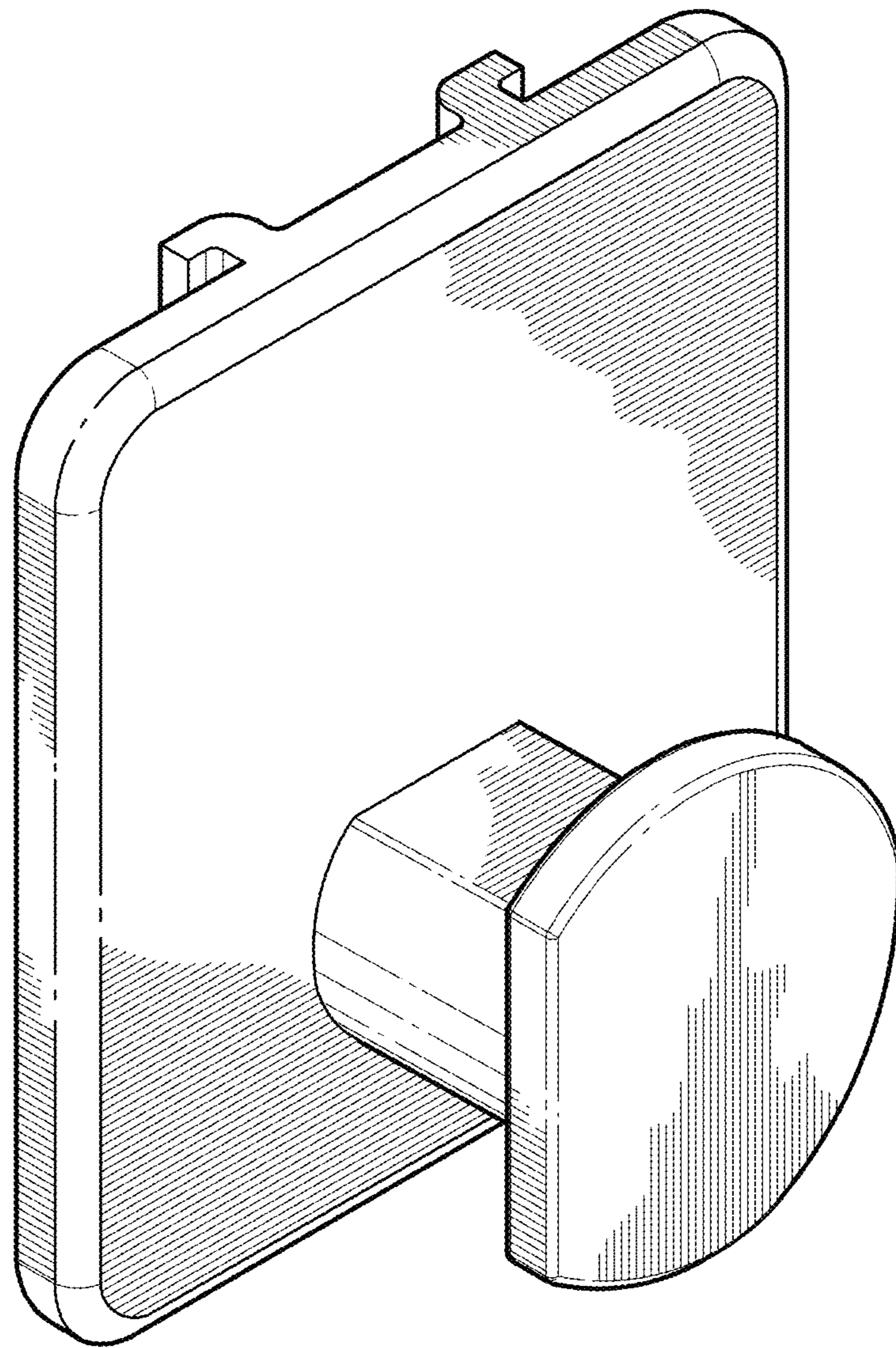


FIG. 12

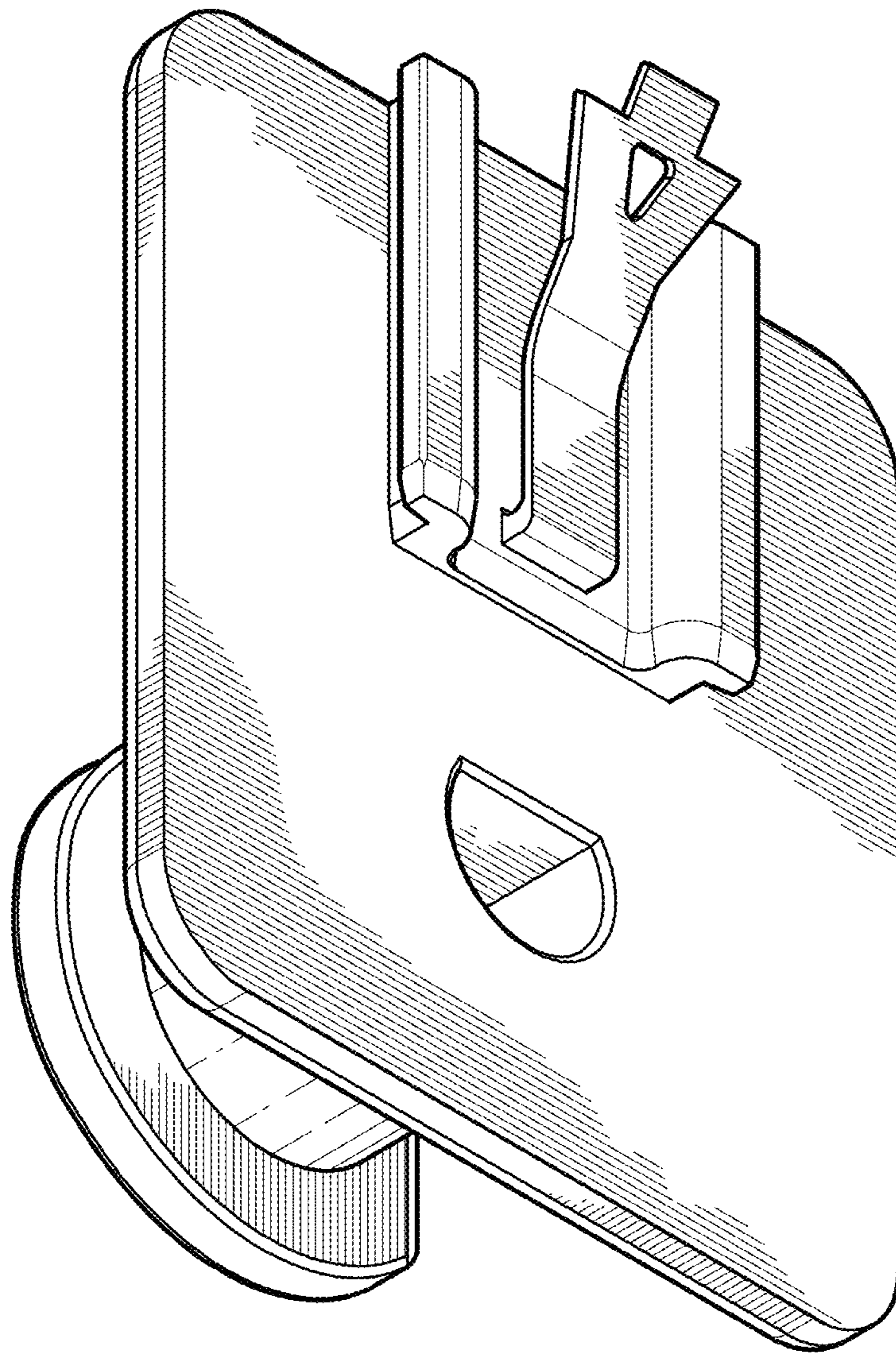


FIG. 13

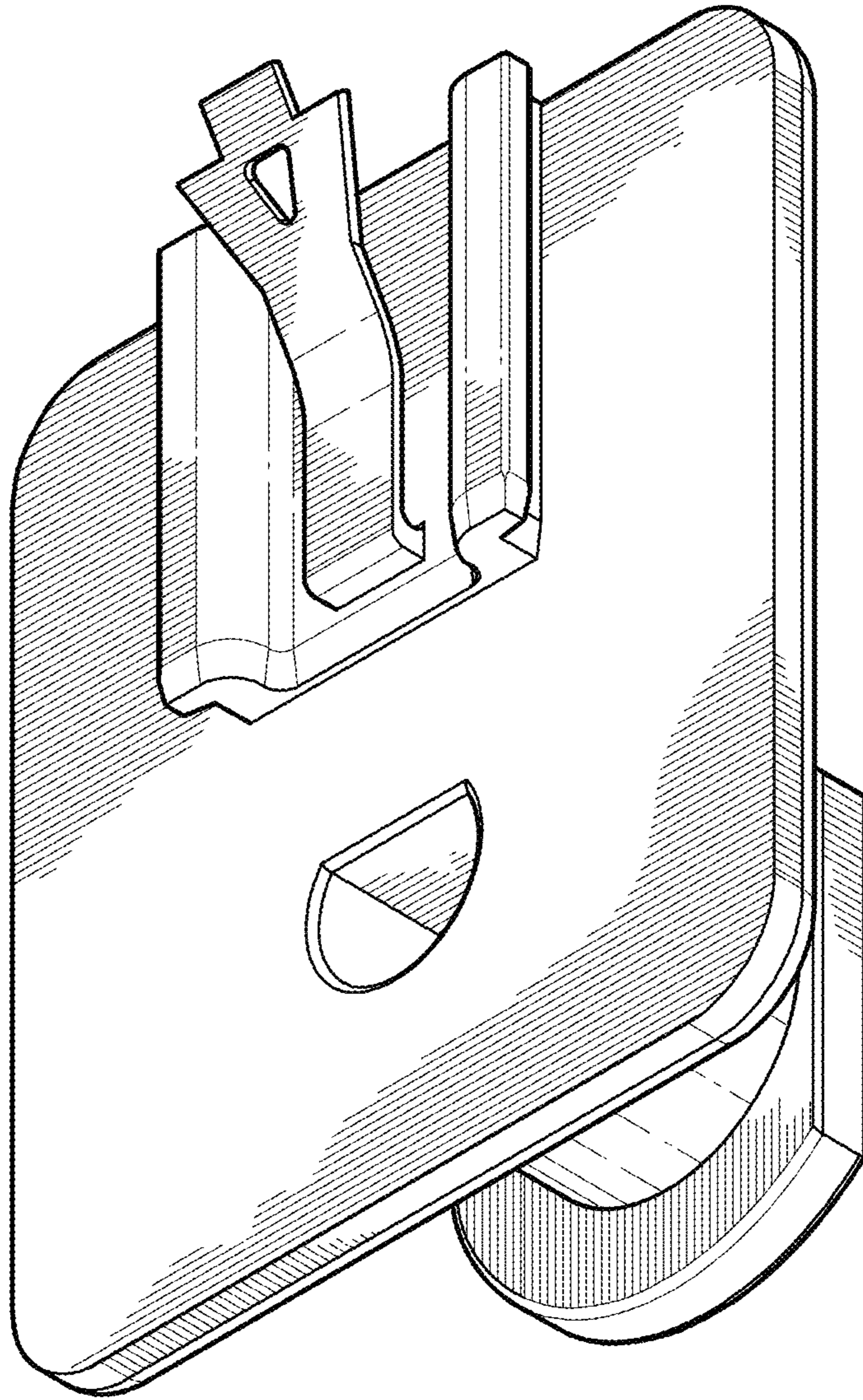


FIG. 14

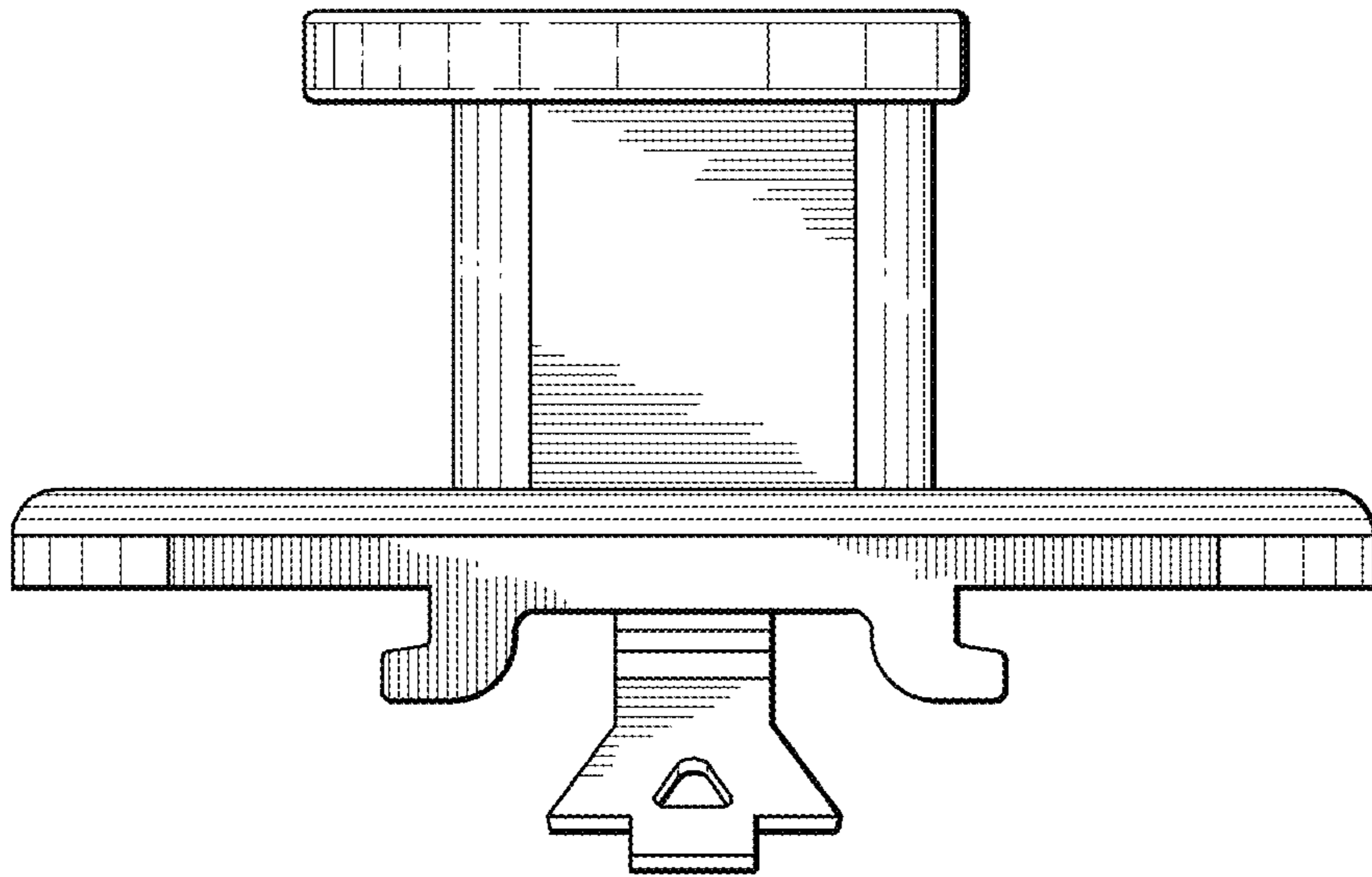


FIG. 15

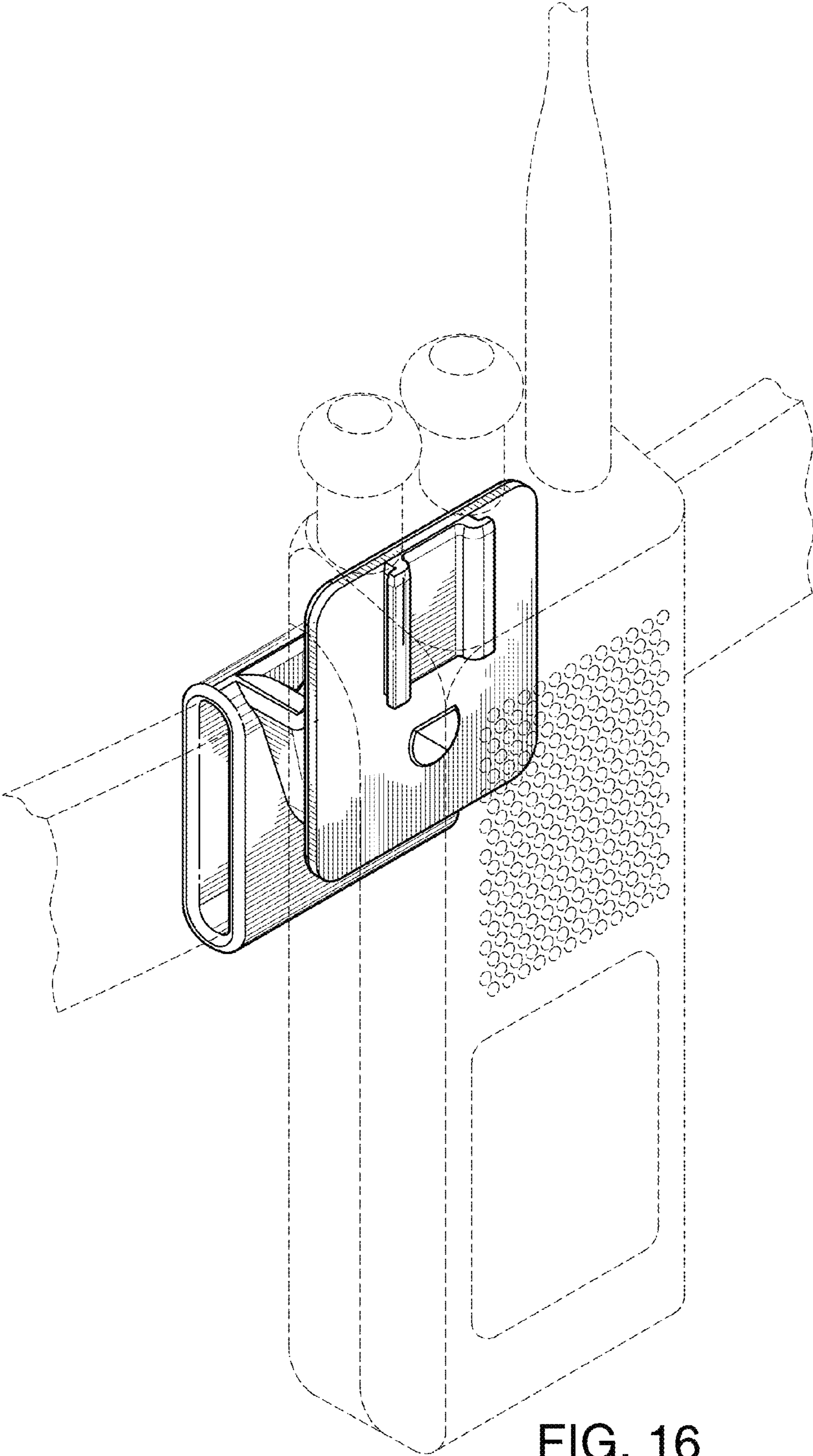


FIG. 16