



US00D686407S

(12) **United States Design Patent**  
**Mazur**

(10) **Patent No.:** **US D686,407 S**  
(45) **Date of Patent:** **\*\* Jul. 23, 2013**

(54) **MODULAR EASY LOAD CONTAINER**

D382,396 S \* 8/1997 Campman ..... D3/215  
D387,898 S \* 12/1997 Ronzani ..... D3/215  
D586,114 S \* 2/2009 Ferguson ..... D3/228

(76) Inventor: **Robert Mazur**, Newton, MA (US)

\* cited by examiner

(\*\*) Term: **14 Years**

*Primary Examiner* — Catheri Oliver-Garcia

(21) Appl. No.: **29/395,818**

(22) Filed: **Apr. 4, 2012**

(51) **LOC (9) Cl.** ..... **03-01**

(52) **U.S. Cl.**  
USPC ..... **D3/203.3**

(58) **Field of Classification Search**  
USPC ..... D3/224, 215, 226, 221, 315, 201–205,  
D3/228–229; 224/918, 919; D32/53, 53.1,  
D32/54; 248/146, 210, 238, 176.1, 311.2;  
D25/68; 206/532–540

See application file for complete search history.

(56) **References Cited**

**U.S. PATENT DOCUMENTS**

D181,960 S \* 1/1958 Donkin ..... D3/230  
D296,388 S \* 6/1988 Williams ..... D3/224

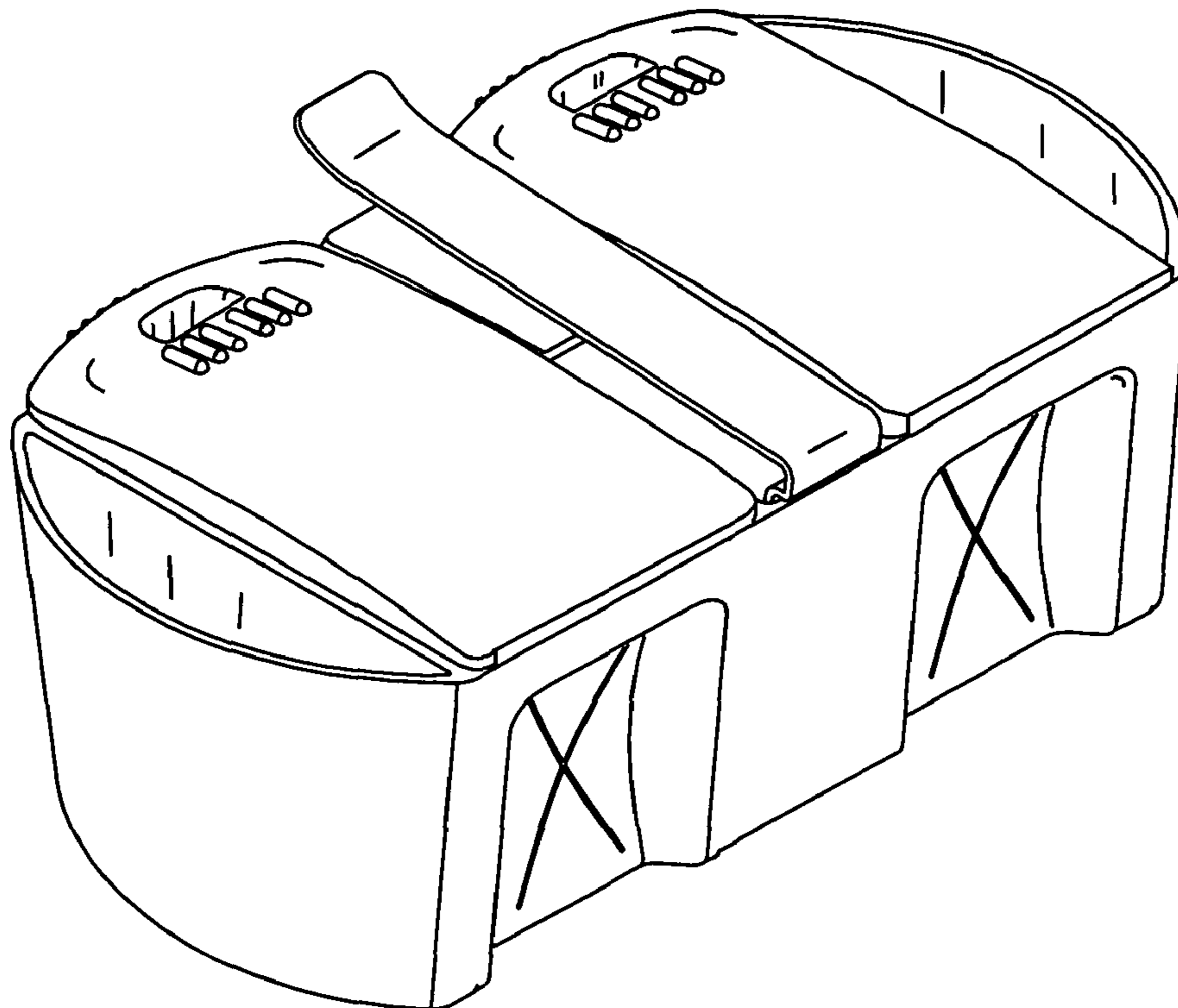
(57) **CLAIM**

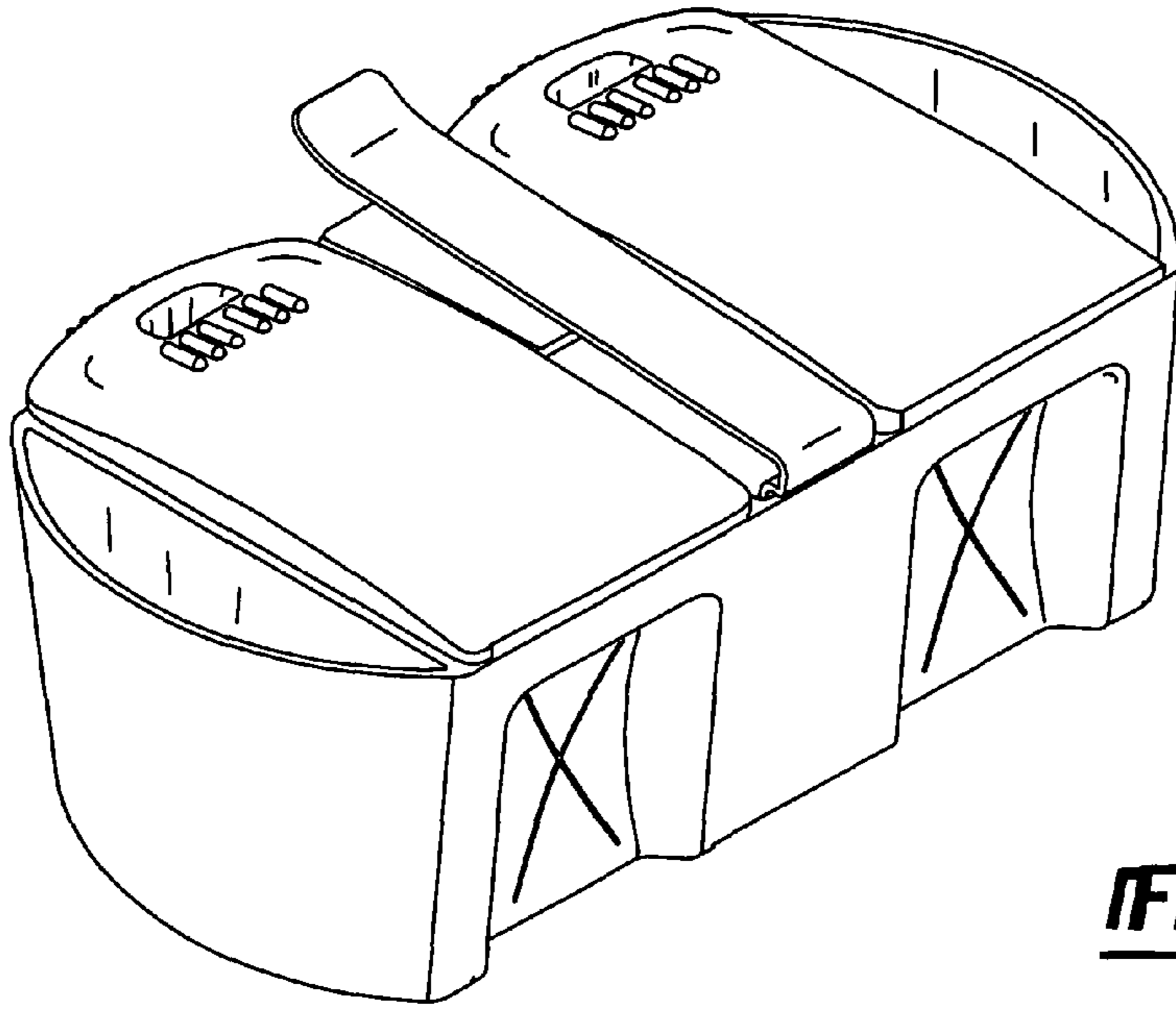
The ornamental design for a modular easy load container, as shown.

**DESCRIPTION**

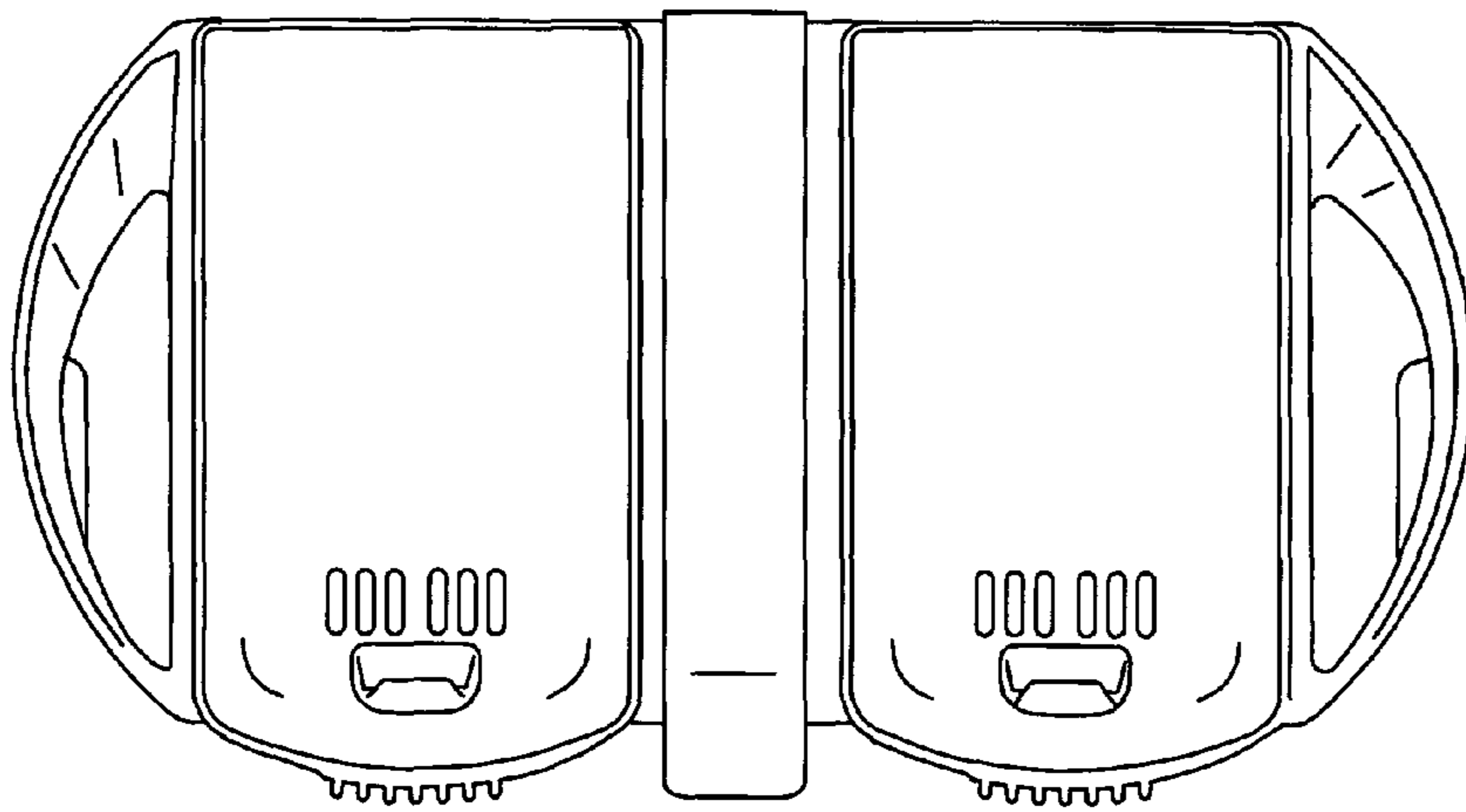
FIG. 1 is a top perspective view of a container;  
FIG. 2 is a top plan view of the container shown in FIG. 1;  
FIG. 3 is a bottom plan view of the container shown in FIG. 1;  
FIG. 4 is a right side elevation view of the container shown in FIG. 1; and,  
FIG. 5 is a bottom perspective view of the container shown in FIG. 1.

**1 Claim, 3 Drawing Sheets**

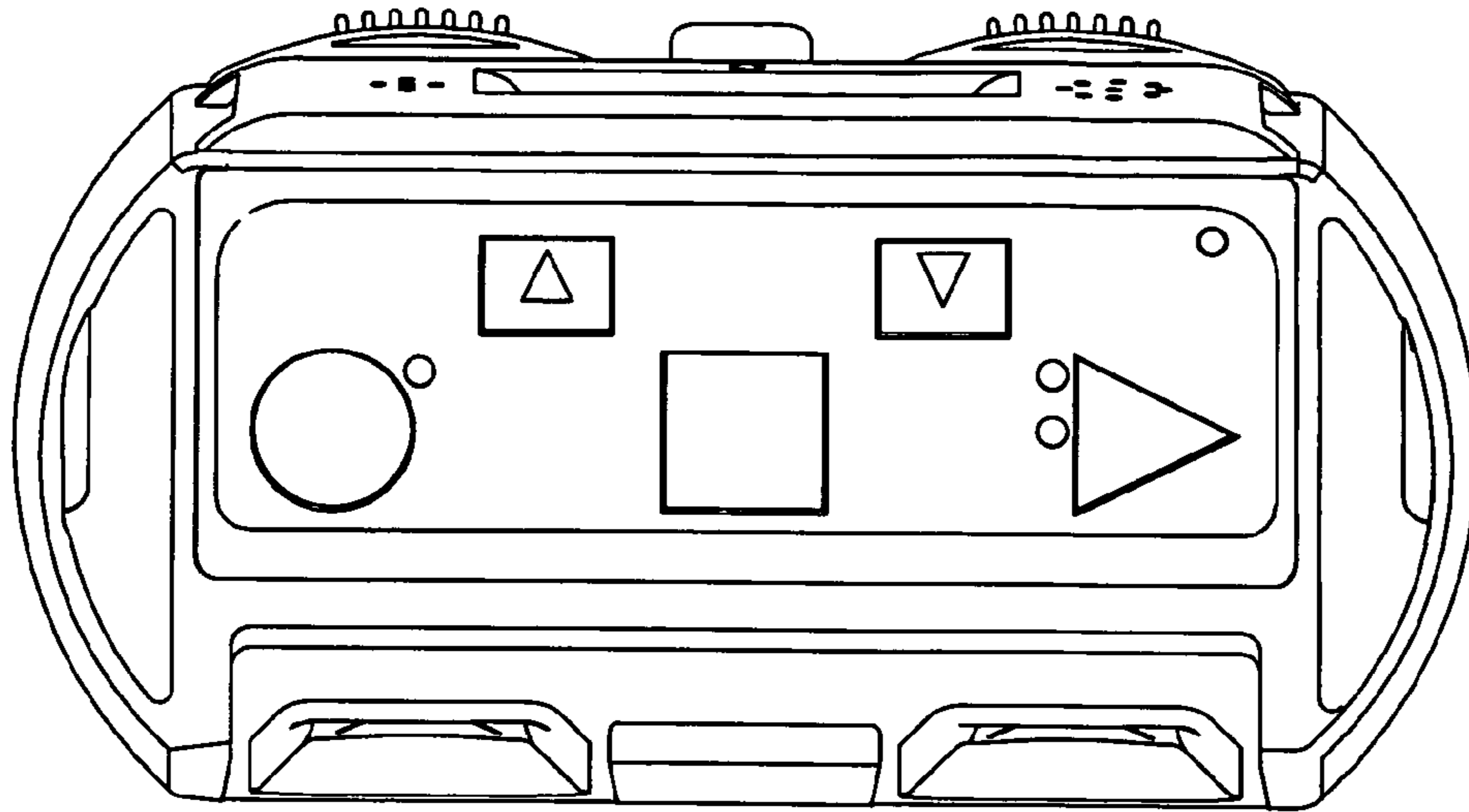




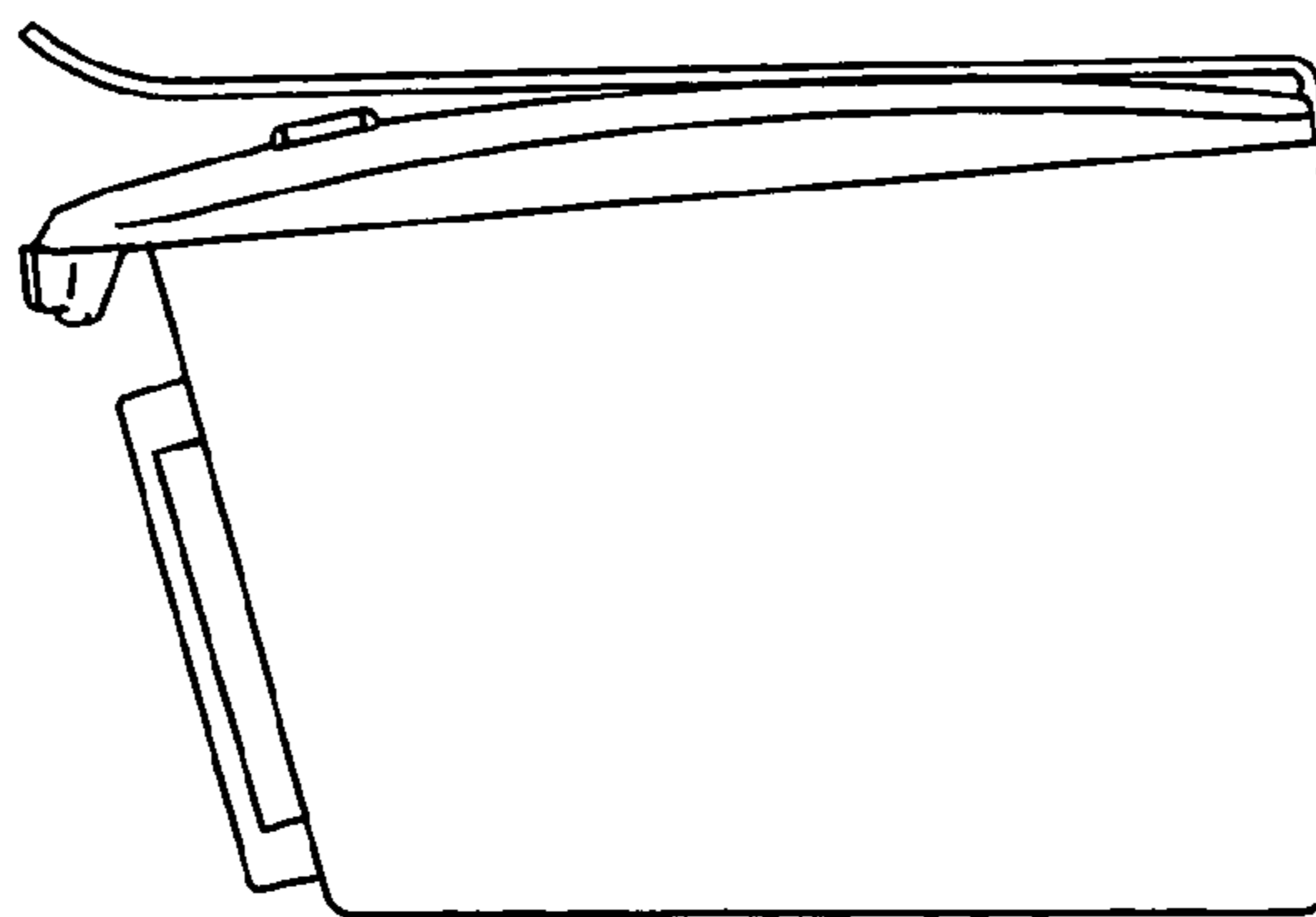
**Fig-1**



**Fig-2**



**Fig-3**



**Fig-4**

**Fig-5**

