



US00D686404S

(12) **United States Design Patent**
McCourt

(10) **Patent No.:** **US D686,404 S**
(45) **Date of Patent:** **** Jul. 23, 2013**

(54) **FOOTWEAR**

(75) Inventor: **Robert McCourt**, Portland, OR (US)

(73) Assignee: **Montrail Corporation**, Portland, OR (US)

(**) Term: **14 Years**

(21) Appl. No.: **29/392,125**

(22) Filed: **May 17, 2011**

(51) **LOC (9) Cl.** **02-04**

(52) **U.S. Cl.**

USPC **D2/958**; D2/951; D2/953; D2/959

(58) **Field of Classification Search**

USPC D2/902, 906, 908, 916, 918, 925,
D2/946-962, 977; 36/3 B, 22 R, 24.5, 25 R,
36/28, 32 R, 34 R, 59 C, 67 A, 103

See application file for complete search history.

(56) **References Cited**

U.S. PATENT DOCUMENTS

D315,442	S *	3/1991	Kilgore et al.	D2/954
D334,654	S *	4/1993	May	D2/954
5,224,277	A *	7/1993	Sang Do	36/27
D389,294	S *	1/1998	Fogg	D2/959
D392,446	S *	3/1998	Fogg	D2/954
D400,346	S *	11/1998	Singer	D2/959
D430,388	S *	9/2000	Dittrich et al.	D2/959
D440,747	S *	4/2001	Matis et al.	D2/957
D444,293	S *	7/2001	Turner et al.	D2/958
D447,325	S *	9/2001	Rogers	D2/957
D473,040	S *	4/2003	Hawker et al.	D2/896
D501,707	S *	2/2005	Nakano	D2/959
7,096,603	B2 *	8/2006	Fusco	36/25 R
D563,637	S *	3/2008	Nakano	D2/956
D571,542	S *	6/2008	Wilken	D2/952
D575,041	S *	8/2008	Wilken	D2/953

D578,280	S *	10/2008	Wilken	D2/952
D595,484	S *	7/2009	Purdom et al.	D2/907
D641,143	S *	7/2011	Niedner et al.	D2/946
D643,196	S *	8/2011	Young	D2/957
8,056,263	B2 *	11/2011	Schindler et al.	36/28
8,099,880	B2 *	1/2012	Brewer et al.	36/30 R
8,122,615	B2 *	2/2012	Lucas et al.	36/28
D667,208	S *	9/2012	McCourt	D2/969
2006/0117604	A1 *	6/2006	Fusco	36/25 R
2007/0266593	A1 *	11/2007	Schindler et al.	36/28
2009/0013559	A1 *	1/2009	Chan et al.	36/91
2009/0025260	A1 *	1/2009	Nakano	36/25 R
2010/0205829	A1 *	8/2010	Schindler et al.	36/28
2010/0281711	A1 *	11/2010	Vestuti et al.	36/28
2011/0099855	A1 *	5/2011	Cho	36/3 B
2012/0011747	A1 *	1/2012	Borel et al.	36/25 R
2012/0117828	A1 *	5/2012	Kasprzak	36/127

* cited by examiner

Primary Examiner — T. Chase Nelson

(74) *Attorney, Agent, or Firm* — Schwabe, Williamson & Wyatt, P.C.

(57) **CLAIM**

I claim the ornamental design for footwear, as shown and described.

DESCRIPTION

FIG. 1 is a perspective view of footwear, showing my new design;

FIG. 2 is a left side view thereof;

FIG. 3 is a right side view thereof;

FIG. 4 is a front view thereof;

FIG. 5 is a back view thereof;

FIG. 6 is a top view thereof; and,

FIG. 7 is a bottom view thereof.

The dashed lines are included for illustrating environmental structure and form no part of the claimed design.

1 Claim, 4 Drawing Sheets

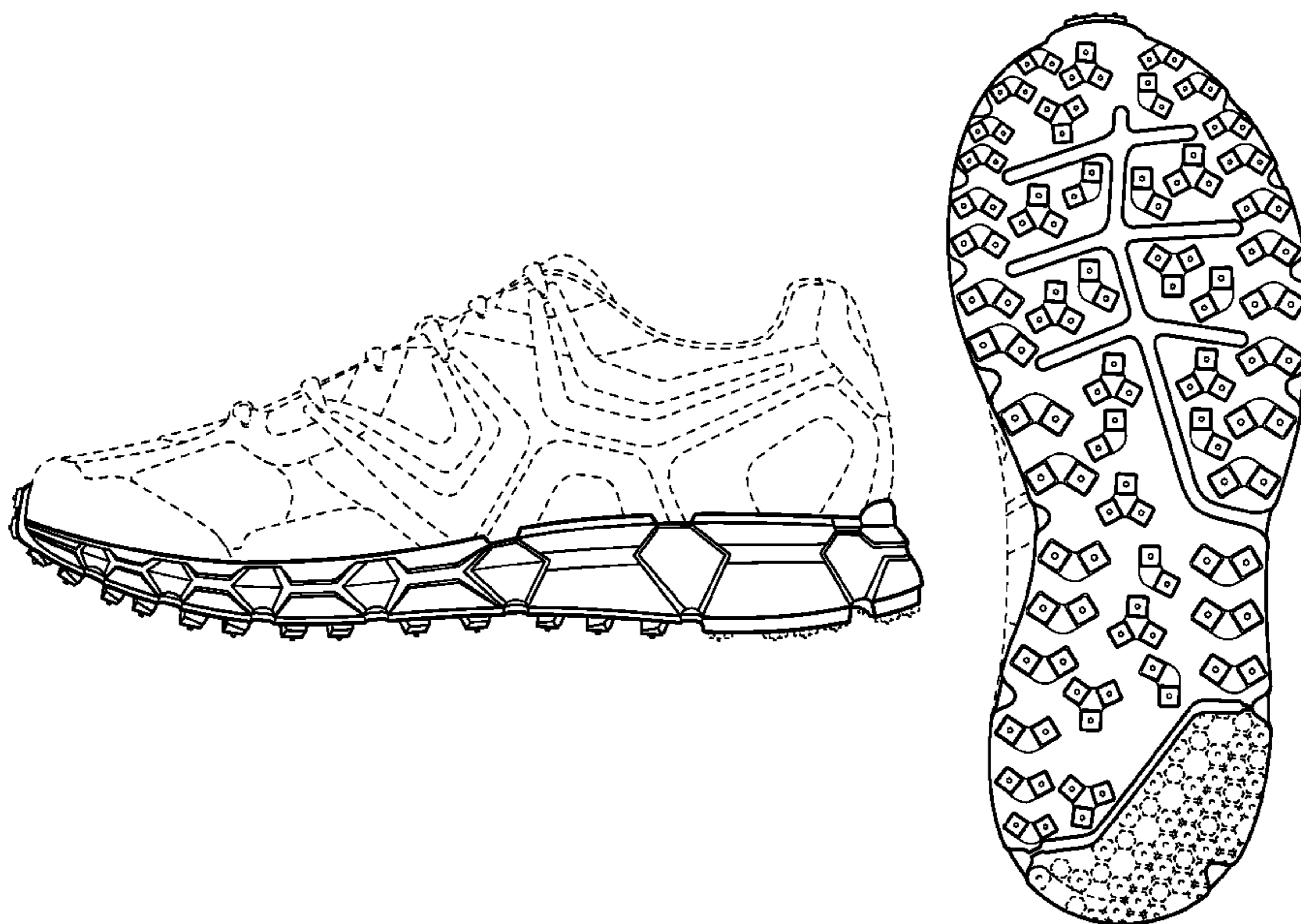
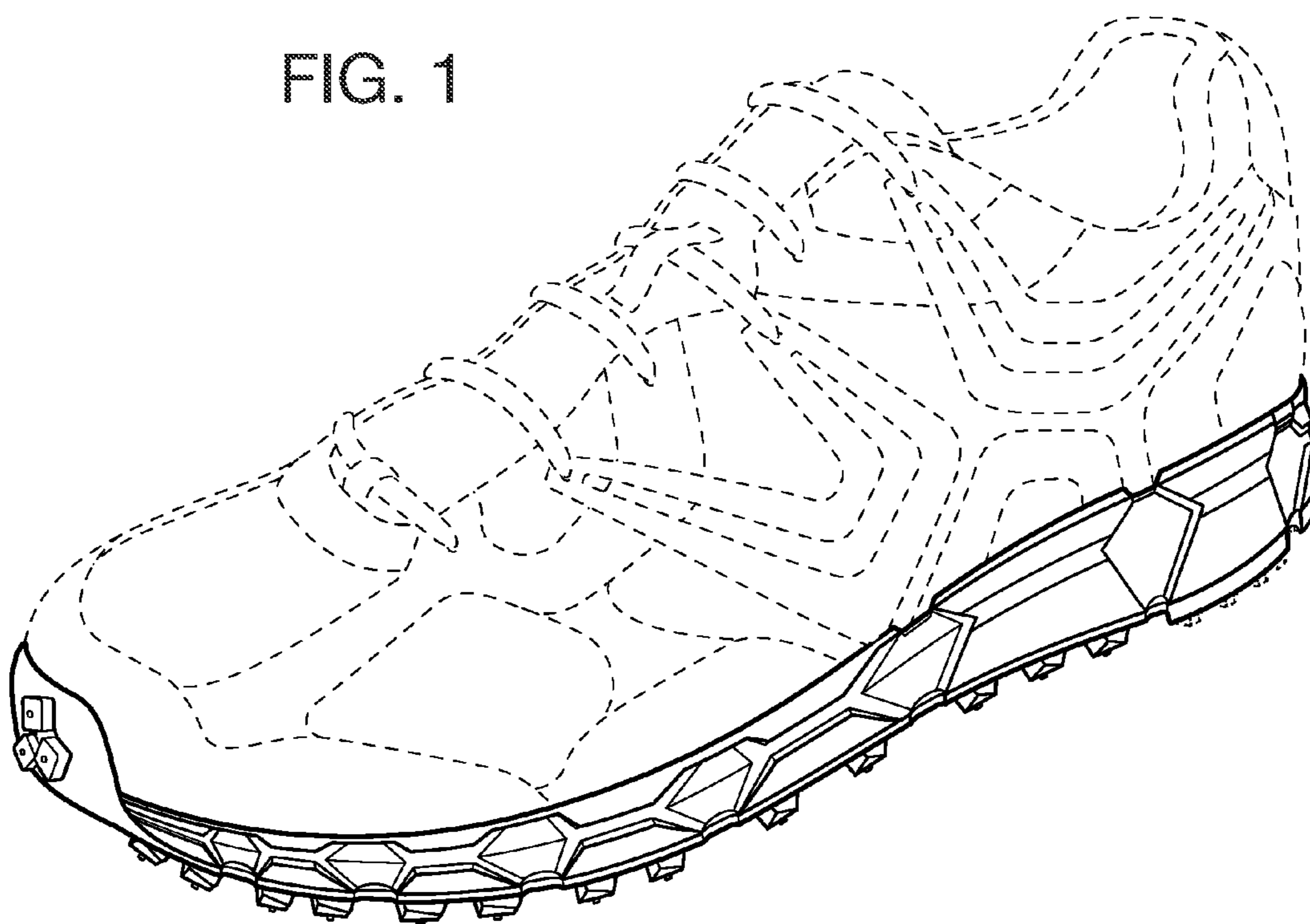


FIG. 1



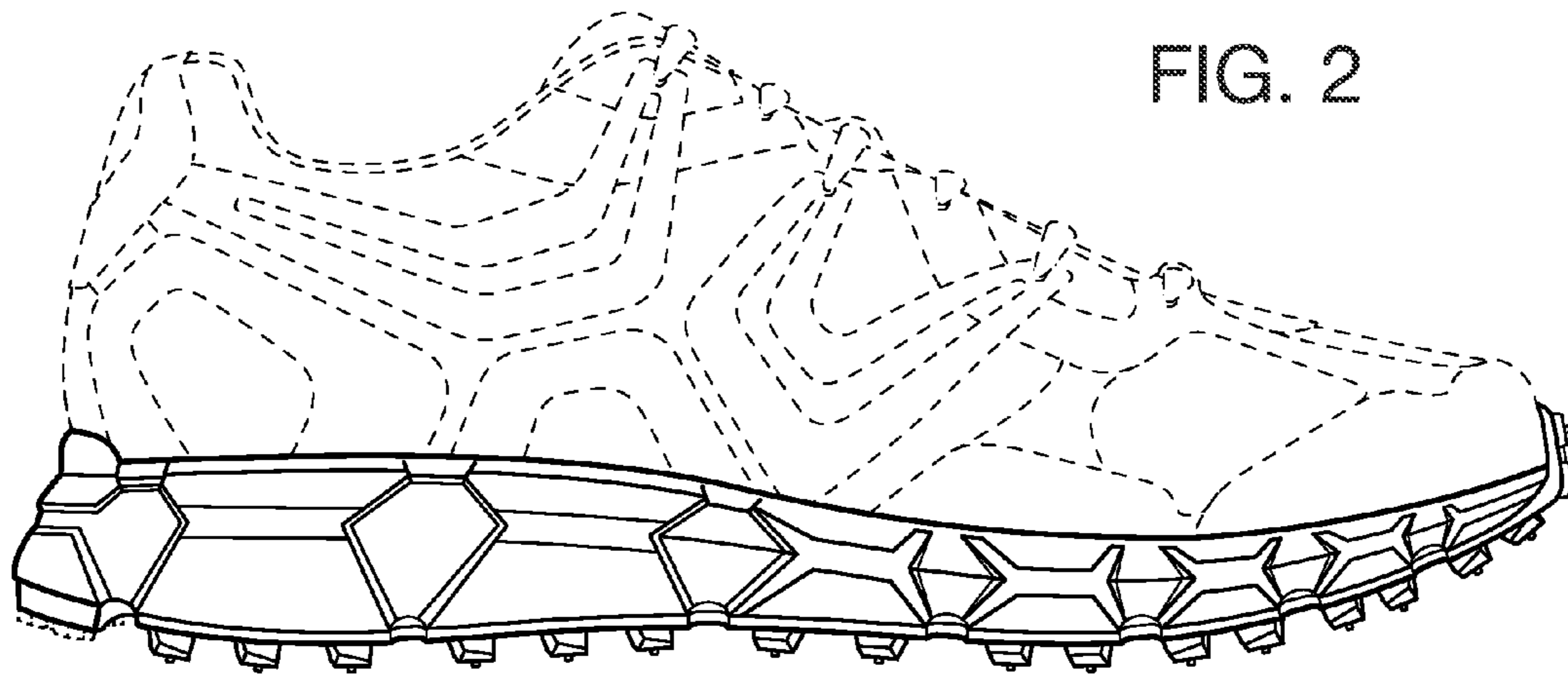


FIG. 2

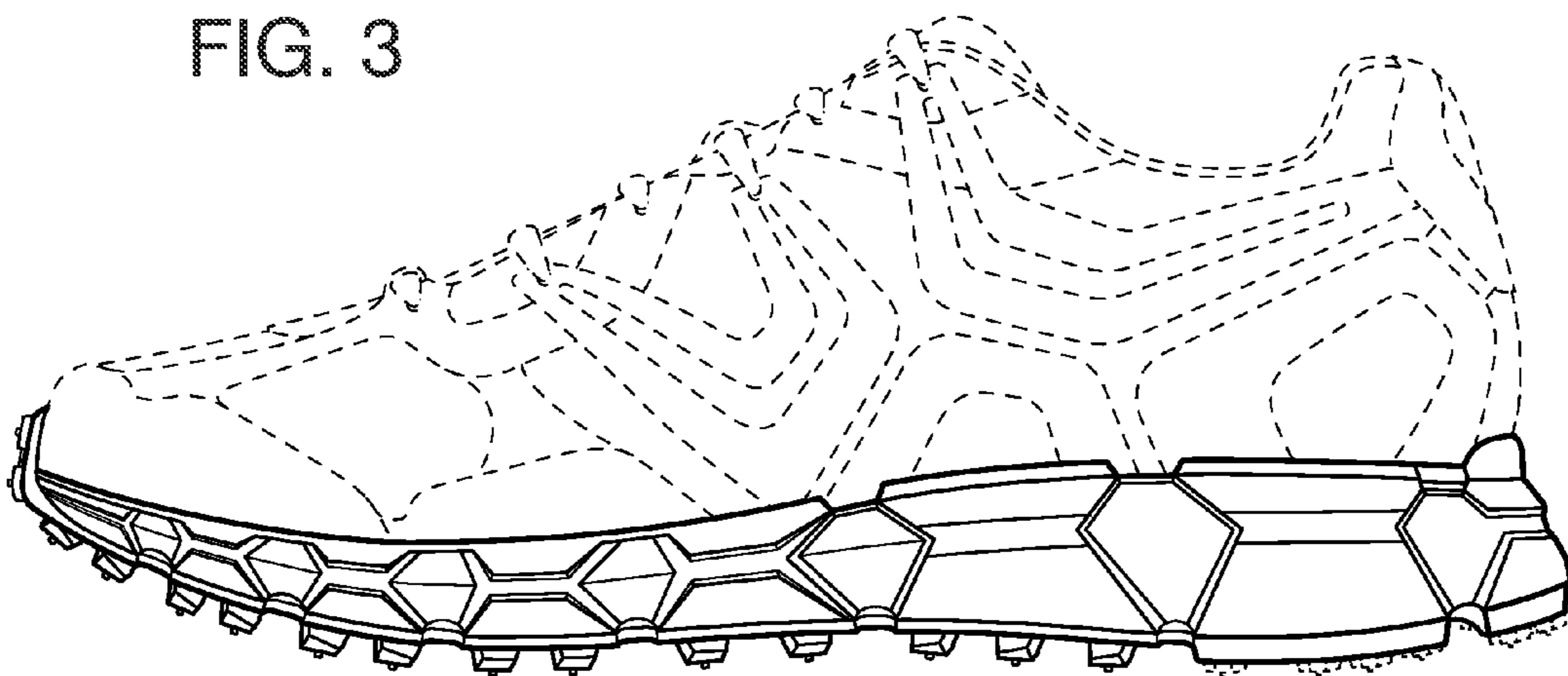


FIG. 3

FIG. 4

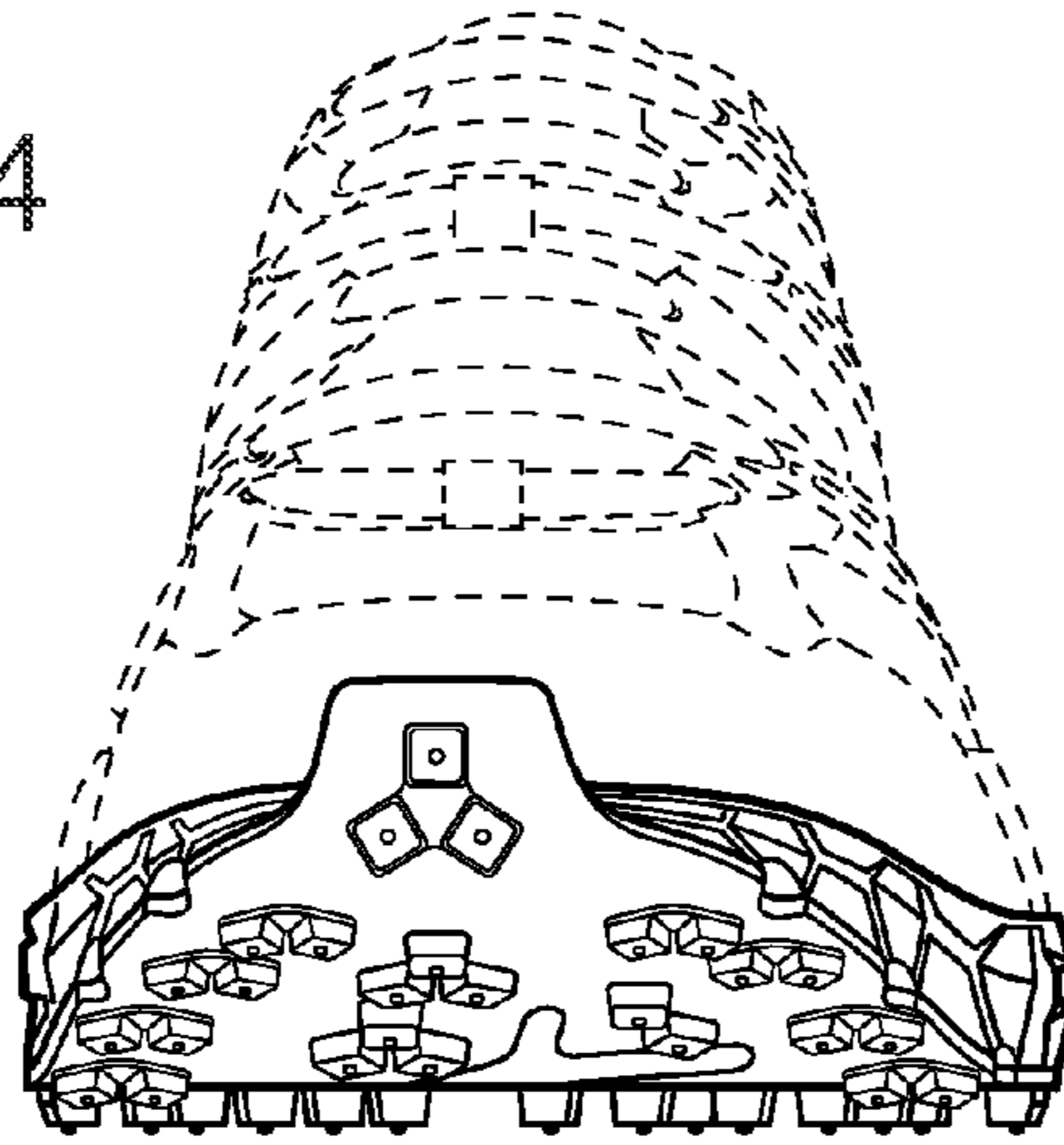
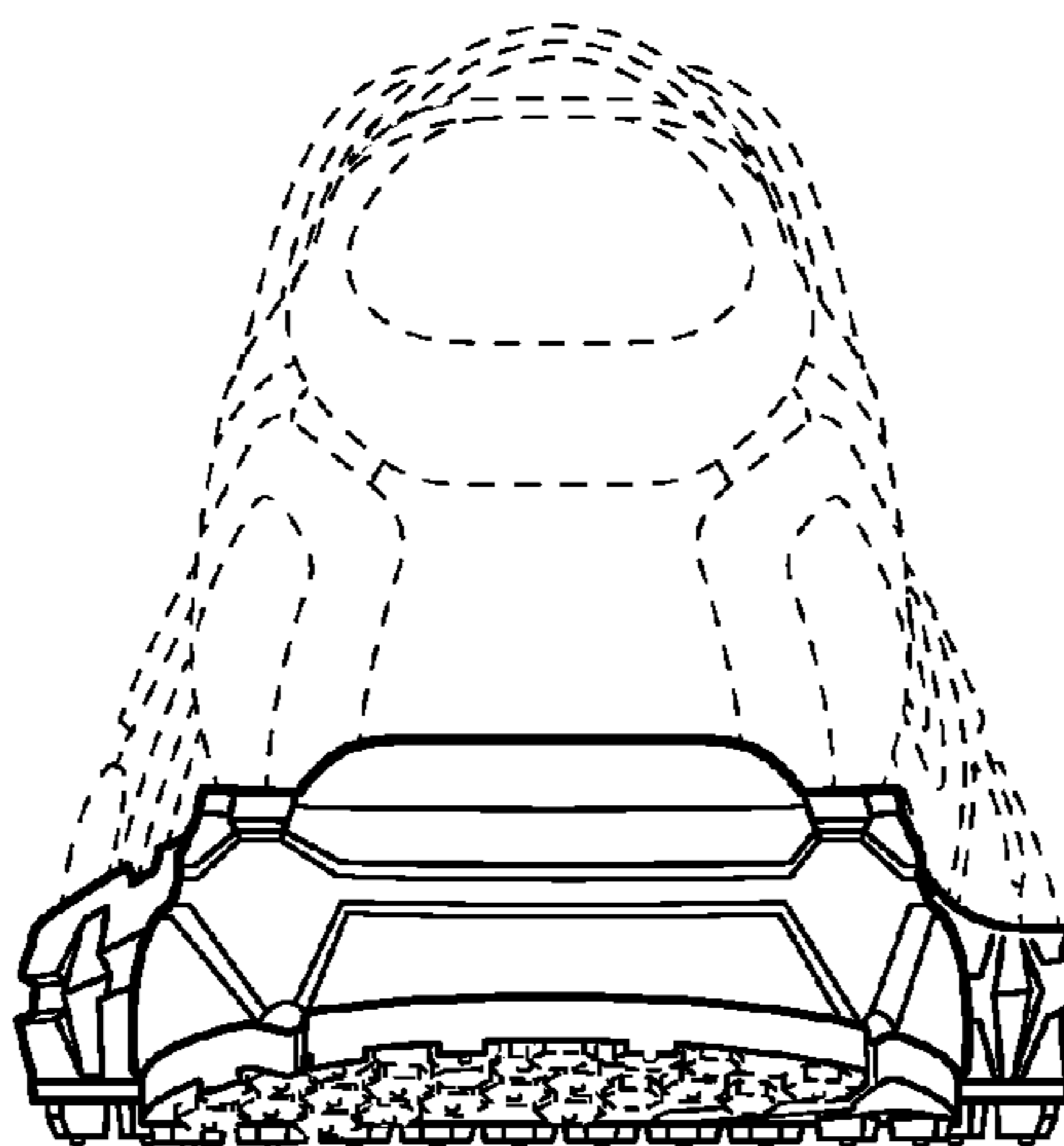


FIG. 5



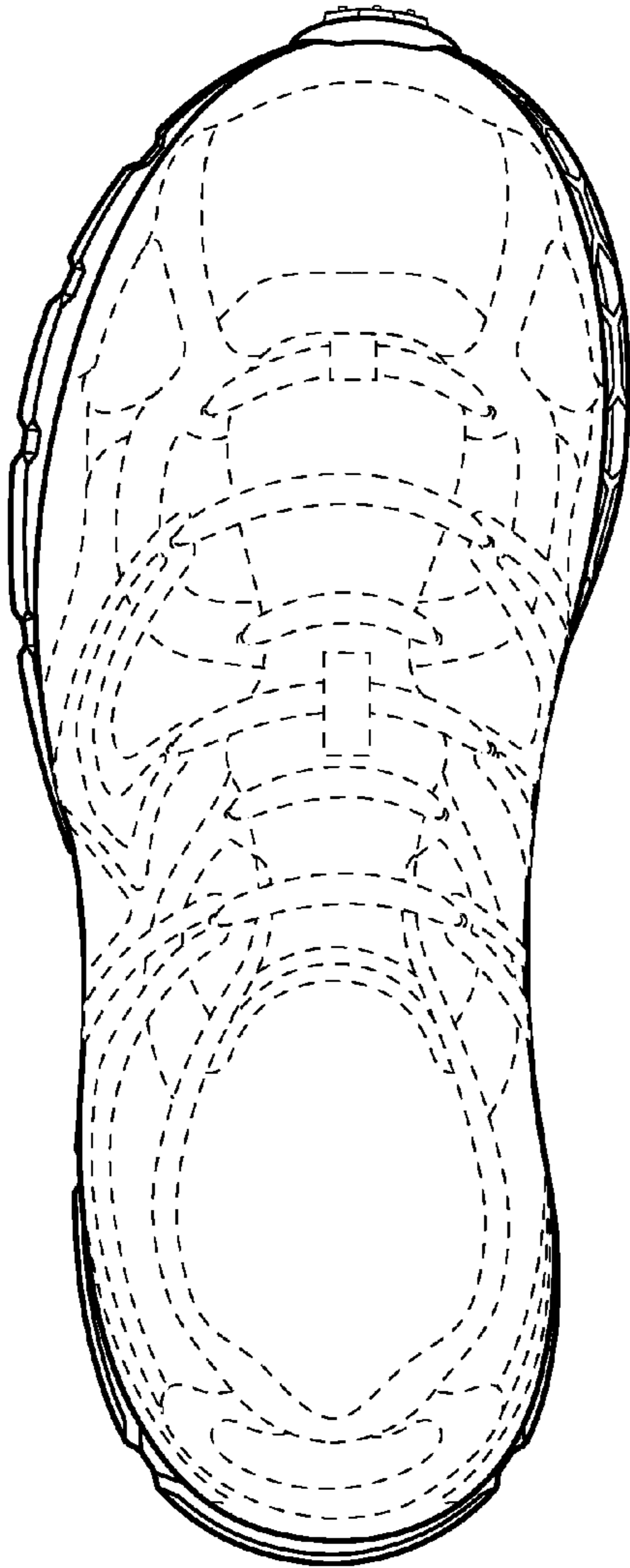


FIG. 6

FIG. 7

