

US00D686394S

(12) **United States Design Patent**
Wilson

(10) **Patent No.:** **US D686,394 S**
(45) **Date of Patent:** **** Jul. 23, 2013**

(54) **BASKETBALL-SIMULATIVE NOVELTY HEADWEAR**

(76) Inventor: **Gregg Wilson**, Dallas, TX (US)

(**) Term: **14 Years**

(21) Appl. No.: **29/428,787**

(22) Filed: **Aug. 3, 2012**

Related U.S. Application Data

(63) Continuation-in-part of application No. 29/382,838, filed on Jan. 7, 2011, now abandoned.

(51) **LOC (9) Cl.** **02-03**

(52) **U.S. Cl.**
USPC **D2/870**

(58) **Field of Classification Search**
USPC D2/865, 867, 869, 870, 871, 872,
D2/873, 874, 878, 879, 880, 881, 882, 886,
D2/889, 891; D29/102, 103, 104, 105, 106,
D29/107; 2/10, 171, 175.1, 195.1, 200.1,
2/200.2, 209.3, 209.4, 209.5, 209.7
See application file for complete search history.

(56) **References Cited**

U.S. PATENT DOCUMENTS

D56,123	S	*	8/1920	Forbes	D2/867
2,739,310	A	*	3/1956	Frieder et al.	2/418
3,205,508	A	*	9/1965	Cox	2/410
D211,031	S	*	5/1968	Eddy	D11/136
3,951,160	A	*	4/1976	Nitu	135/20.2
5,410,760	A	*	5/1995	Zumbiel	2/195.1

D362,960	S	*	10/1995	Stein	D3/226
D369,015	S	*	4/1996	Griffin, Jr.	D2/869
D396,136	S	*	7/1998	Stein	D2/872
D406,400	S	*	3/1999	Munns	D29/107
D453,609	S	*	2/2002	Sisera et al.	D2/869
D539,514	S	*	4/2007	Talley	D2/878
D612,542	S	*	3/2010	Righetti	D29/102
D628,748	S	*	12/2010	Stewart	D29/102
D634,516	S	*	3/2011	Wilson	D2/870
D634,896	S	*	3/2011	Weber	D29/106
D672,532	S	*	12/2012	Wilson	D2/870
D672,533	S	*	12/2012	Wilson	D2/870
2010/0263103	A1	*	10/2010	Clarke	2/69

* cited by examiner

Primary Examiner — Karen E Eldridge Powers

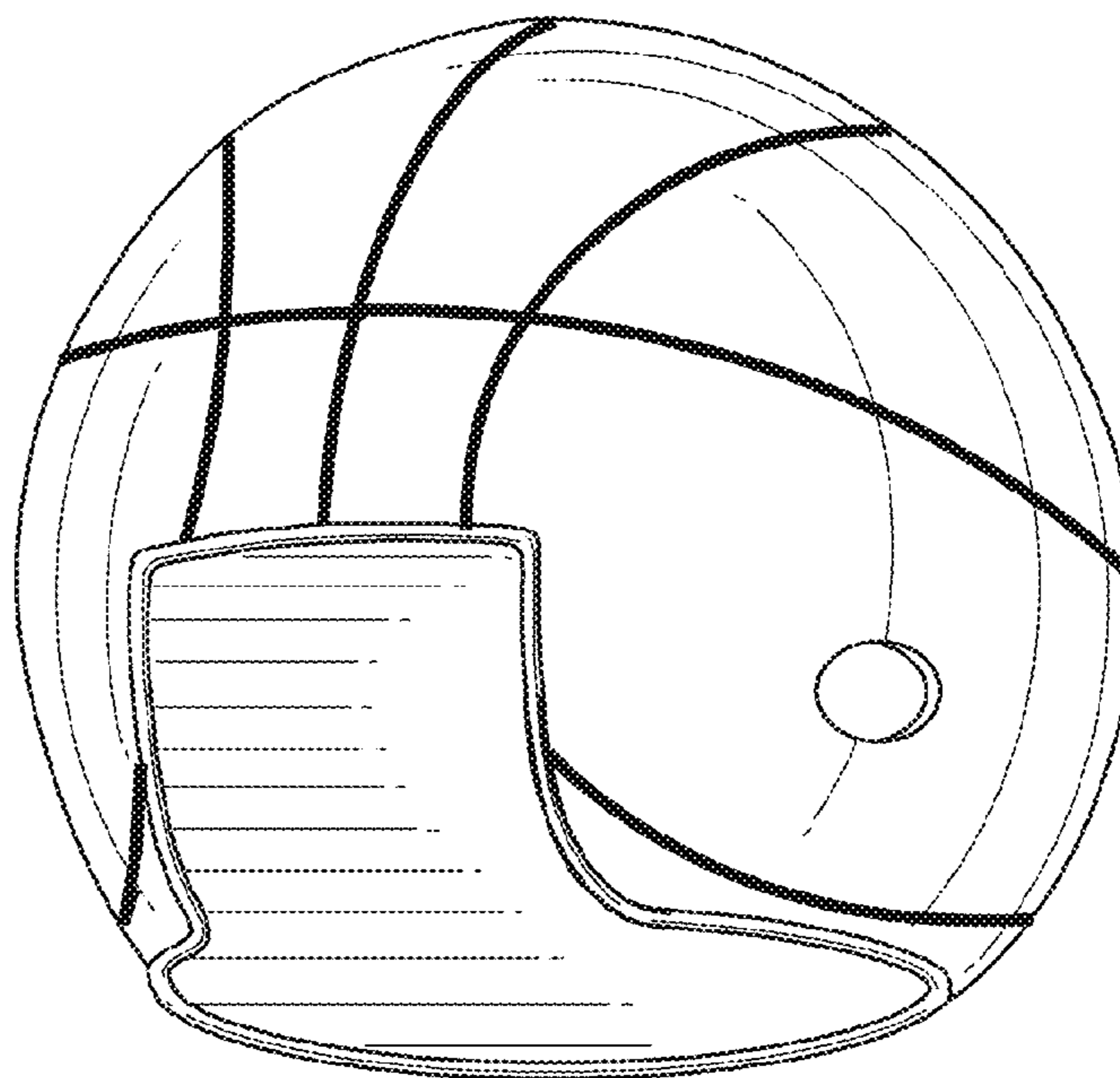
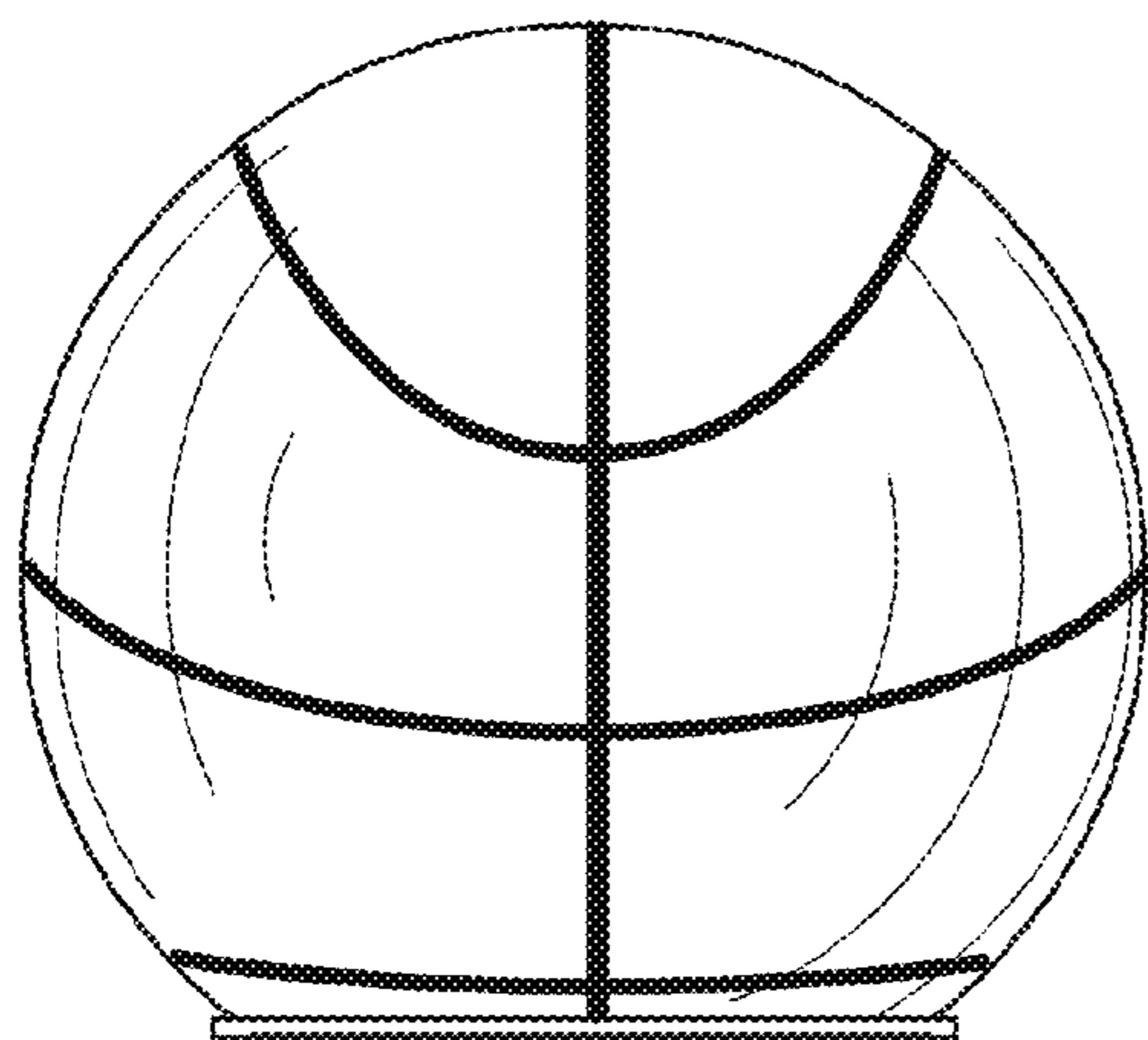
(57) **CLAIM**

An ornamental design for a basketball-simulative novelty headwear, as shown and described.

DESCRIPTION

FIG. 1 is a front elevation view of the basketball-simulative novelty headwear showing my new design; FIG. 2 is a top plan view, thereof; FIG. 3 is a left side elevation view, thereof, the partial human figure shown in broken lines representing environmental subject matter forming no part of the claimed design; FIG. 4 is a rear elevation view, thereof; FIG. 5 is a right side elevation view, thereof; FIG. 6 is a bottom plan view thereof; and, FIG. 7 is a front perspective view, thereof. The broken lines in FIG. 3 are for the purposes of illustration and form no part of the claimed invention.

1 Claim, 3 Drawing Sheets



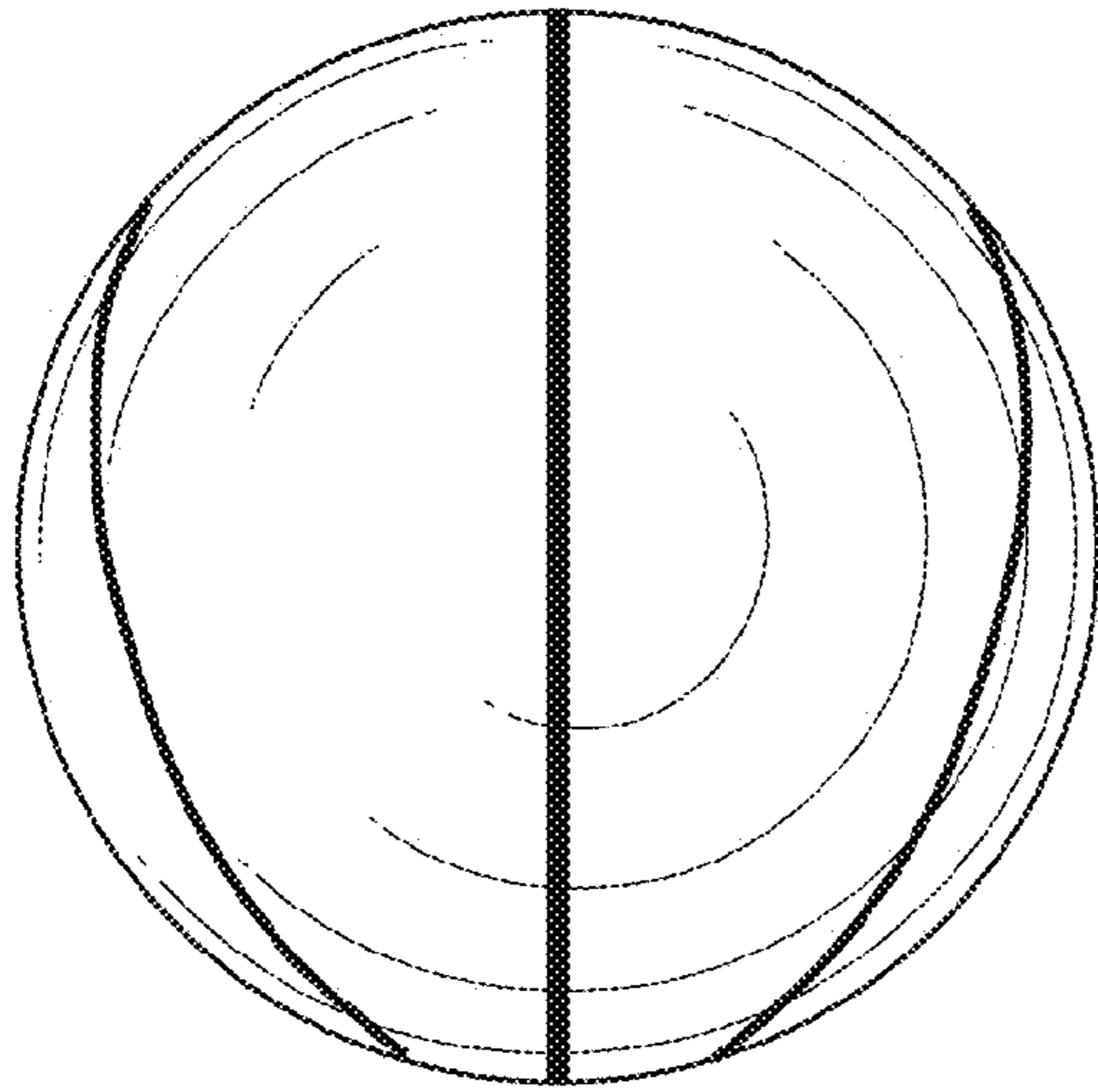


Fig. 2

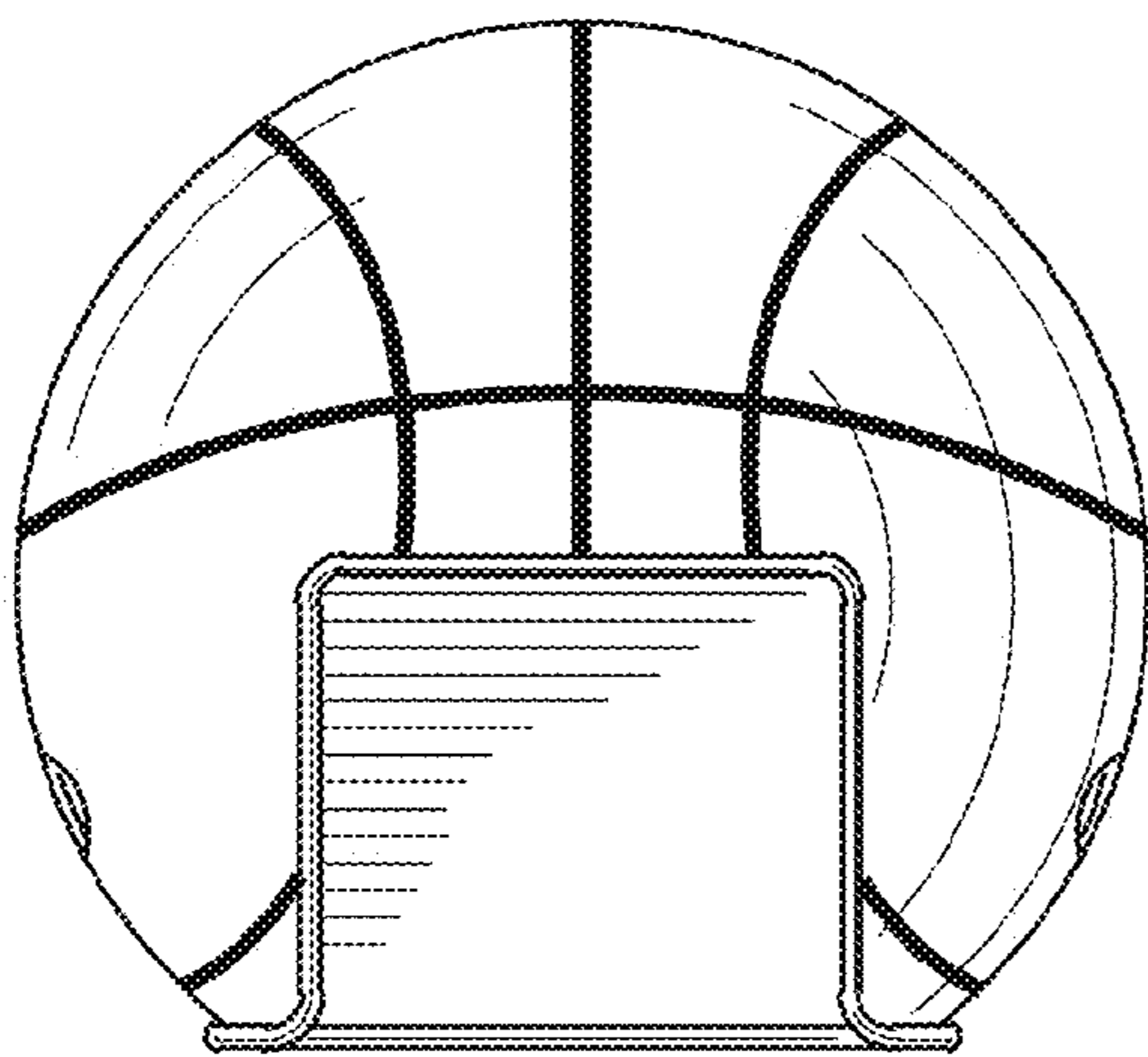


Fig. 1

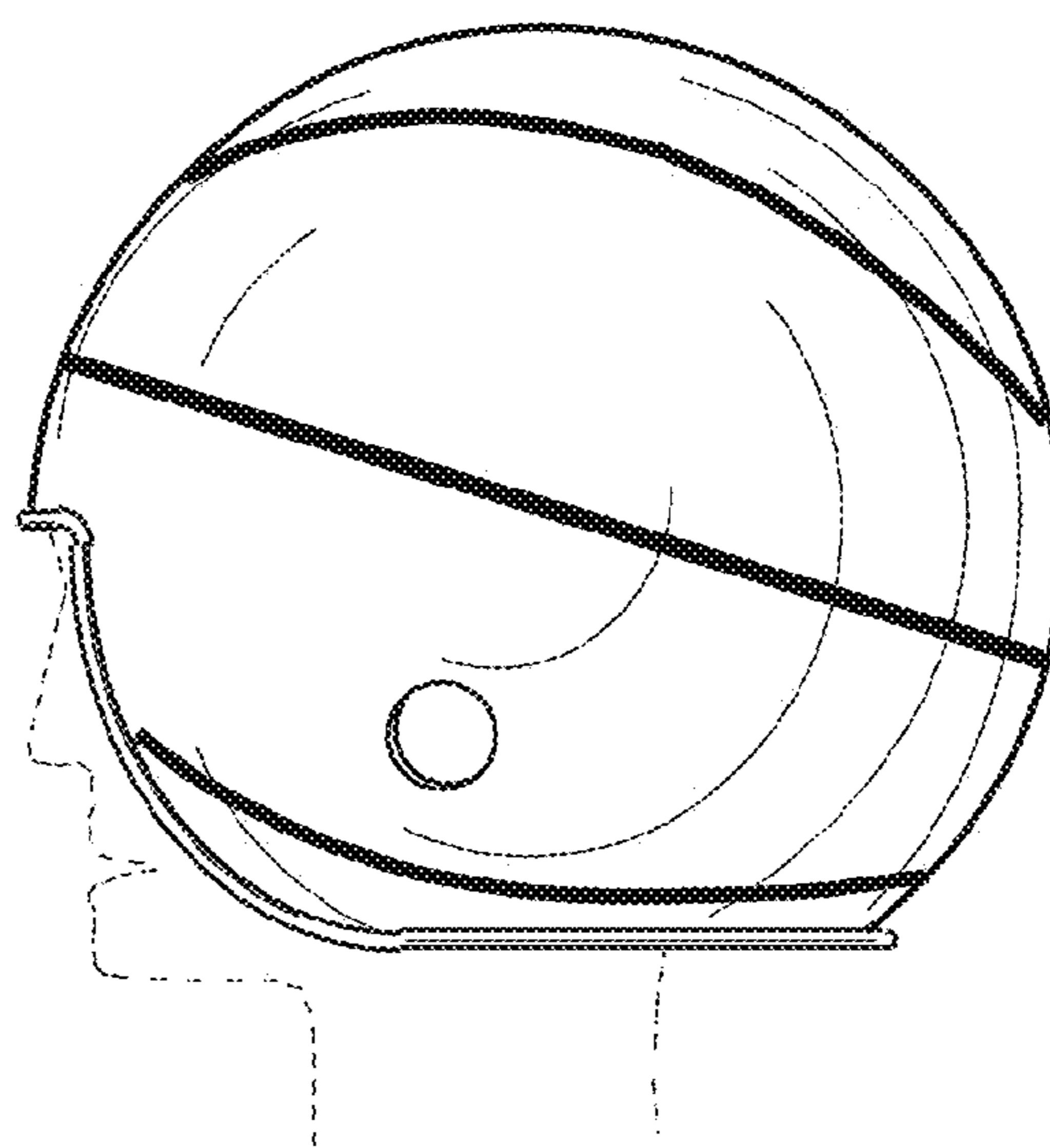


Fig. 3

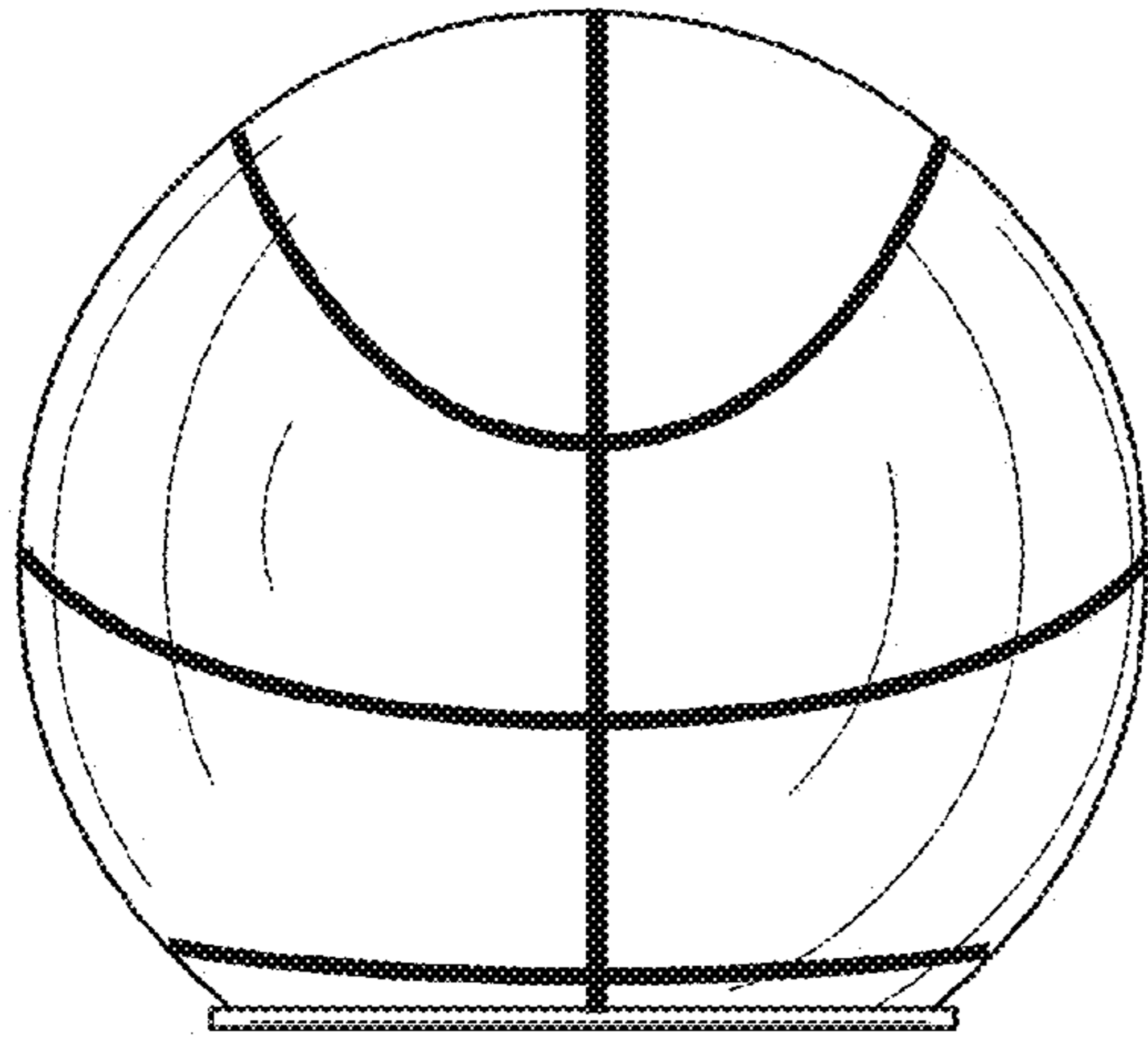


Fig. 4

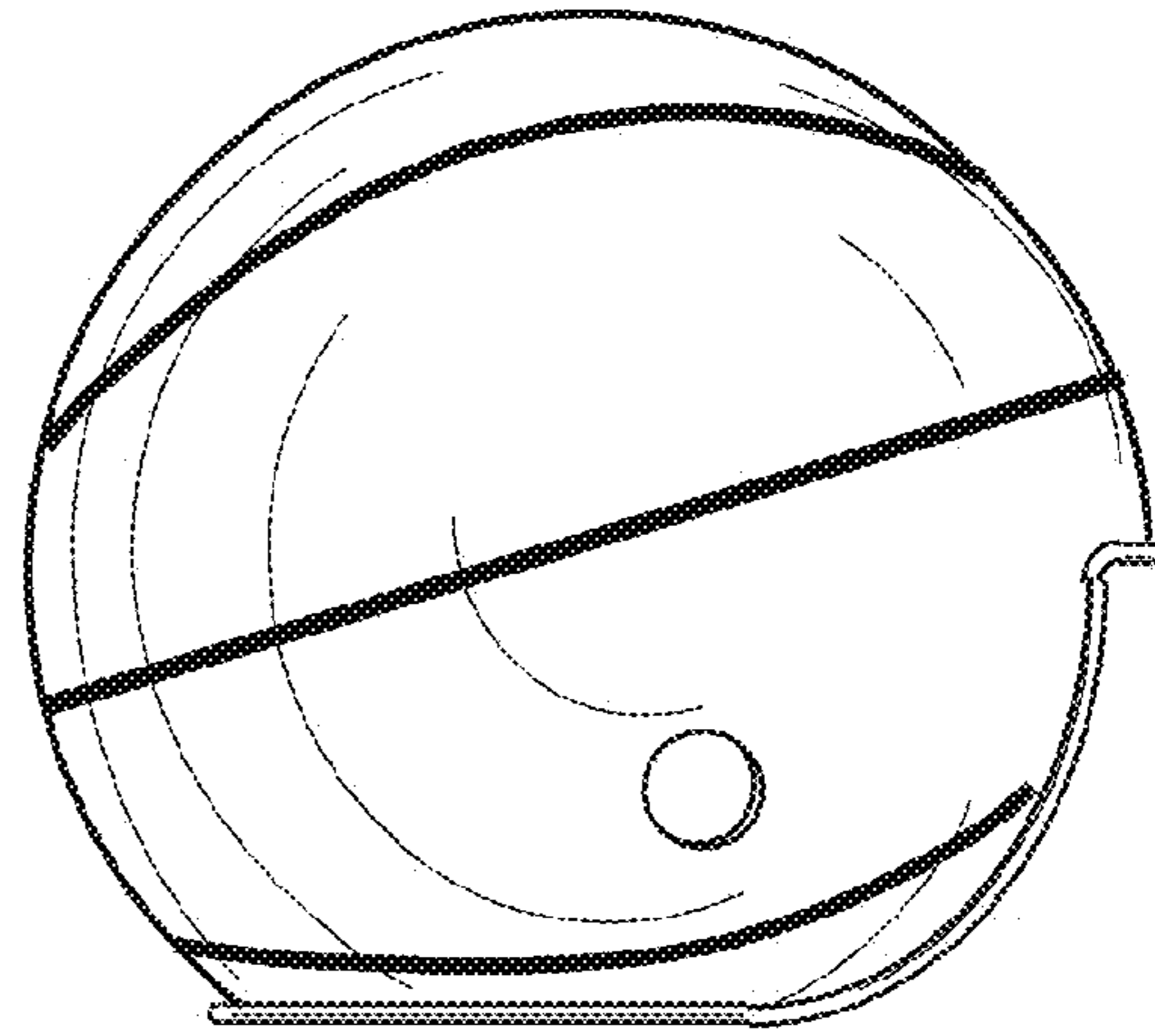


Fig. 5

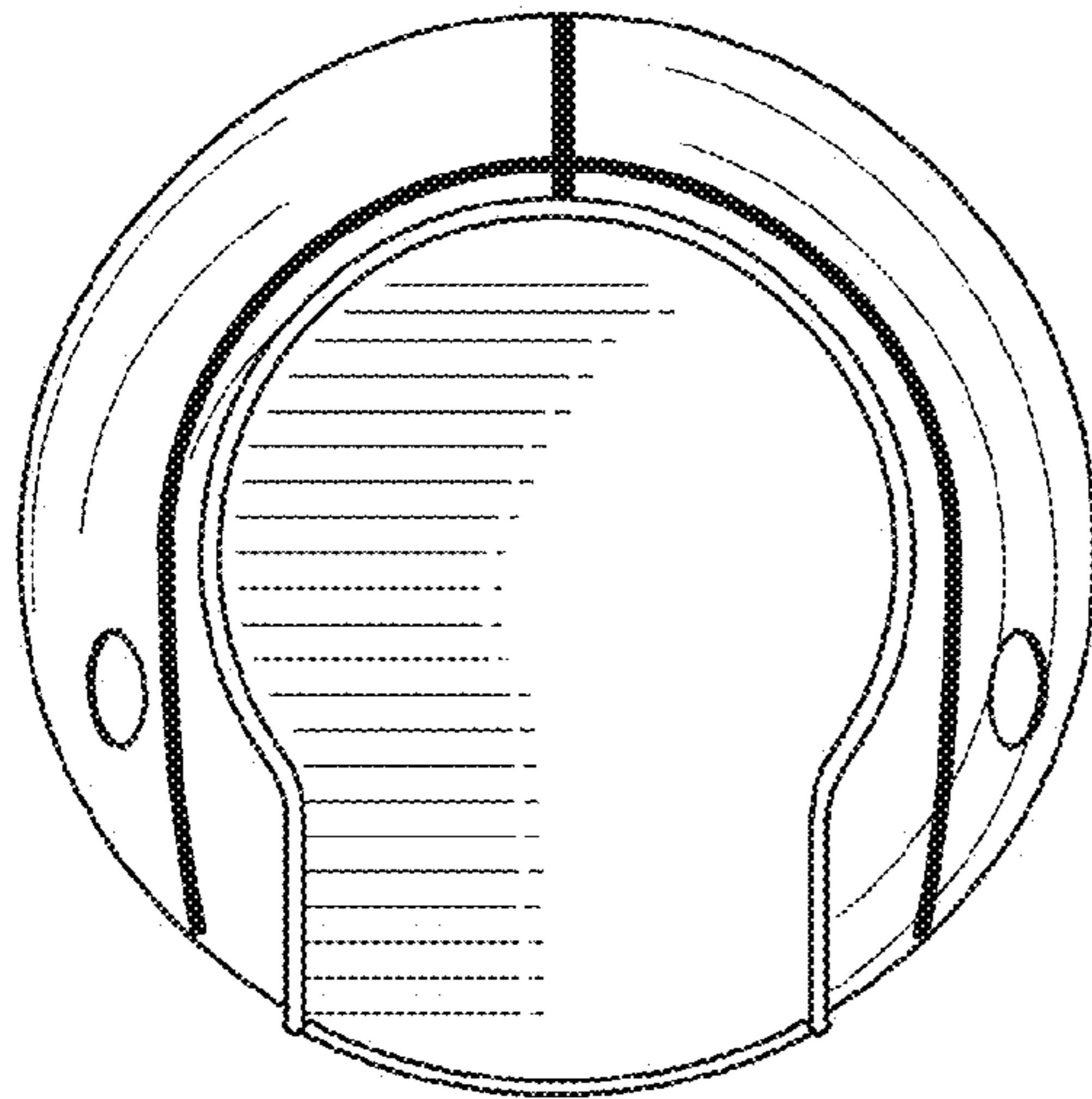


Fig. 6

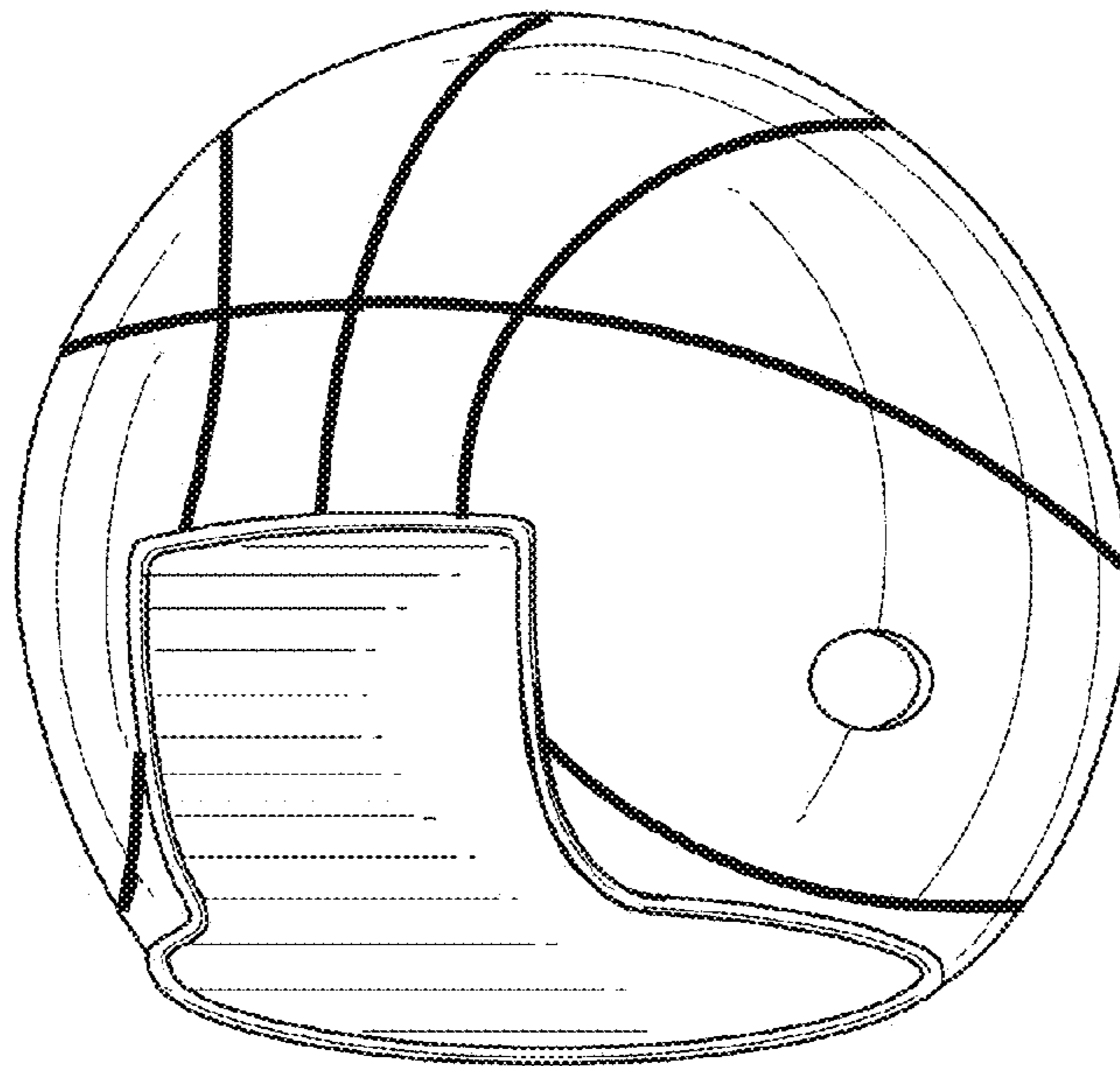


Fig. 7