



US00D686393S

(12) **United States Design Patent**
Sewall

(10) **Patent No.:** **US D686,393 S**

(45) **Date of Patent:** **** Jul. 23, 2013**

(54) **BIB WITH REMOVABLE LAP COVERING**

(76) Inventor: **Sheila A. Sewall**, Roberts, WI (US)

(**) Term: **14 Years**

(21) Appl. No.: **29/429,326**

(22) Filed: **Aug. 9, 2012**

(51) **LOC (9) Cl.** **02-02**

(52) **U.S. Cl.**
USPC **D2/864**

(58) **Field of Classification Search**
USPC D2/860, 861, 864; 2/46, 48-51
See application file for complete search history.

(56) **References Cited**

U.S. PATENT DOCUMENTS

1,037,206	A *	9/1912	Clifford	2/51
1,970,307	A *	8/1934	Hartmann	2/48
2,129,486	A *	9/1938	Berman	2/51
D288,022	S	2/1987	Marconi	
4,660,224	A	4/1987	Ashcraft	
4,884,298	A	12/1989	Silas	
D325,115	S	4/1992	Vassar, Sr.	
5,956,763	A	9/1999	Blackshear	

D434,205	S *	11/2000	Kapszukiewicz	D2/860
6,141,798	A	11/2000	Manning	
D458,437	S *	6/2002	Vazquez	D2/861
D499,530	S	12/2004	Mintz et al.	
D507,393	S	7/2005	Gabrielson	
7,555,789	B2	7/2009	Autry	
D598,182	S *	8/2009	Vossoughi et al.	D2/861
D617,534	S *	6/2010	Vossoughi et al.	D2/864
2011/0016599	A1	1/2011	Battick	

* cited by examiner

Primary Examiner — Rashida Johnson

(74) *Attorney, Agent, or Firm* — Tipton L. Randall

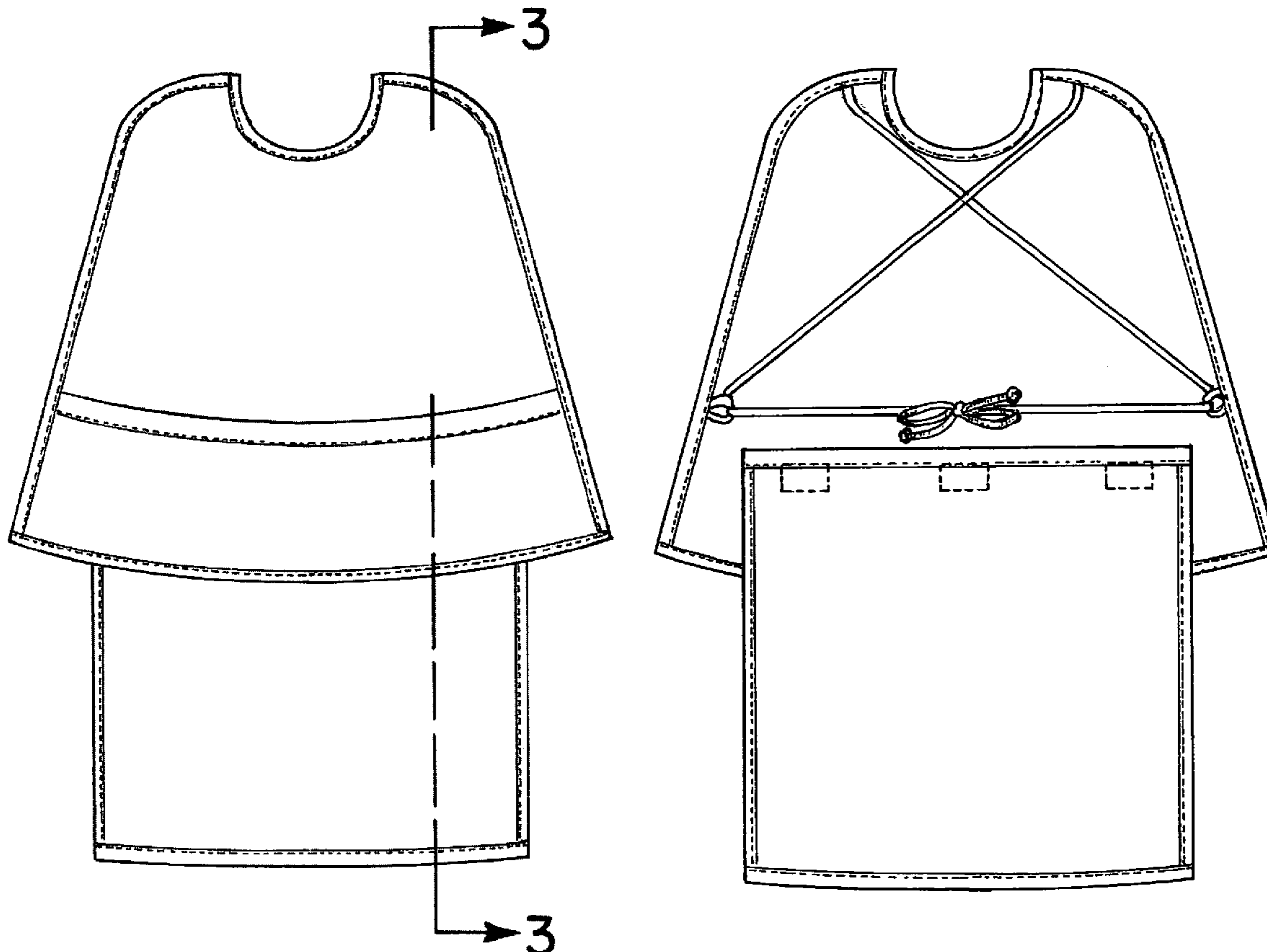
(57) **CLAIM**

The ornamental design for a bib with removable lap covering, as shown and described.

DESCRIPTION

FIG. 1 is a front view of the bib with removable lap covering embodying my new design, FIG. 2 is a back view thereof; and, FIG. 3 is a cross sectional view along line 3-3 of FIG. 1. The broken lines, shown throughout the views, represent stitching.

1 Claim, 3 Drawing Sheets



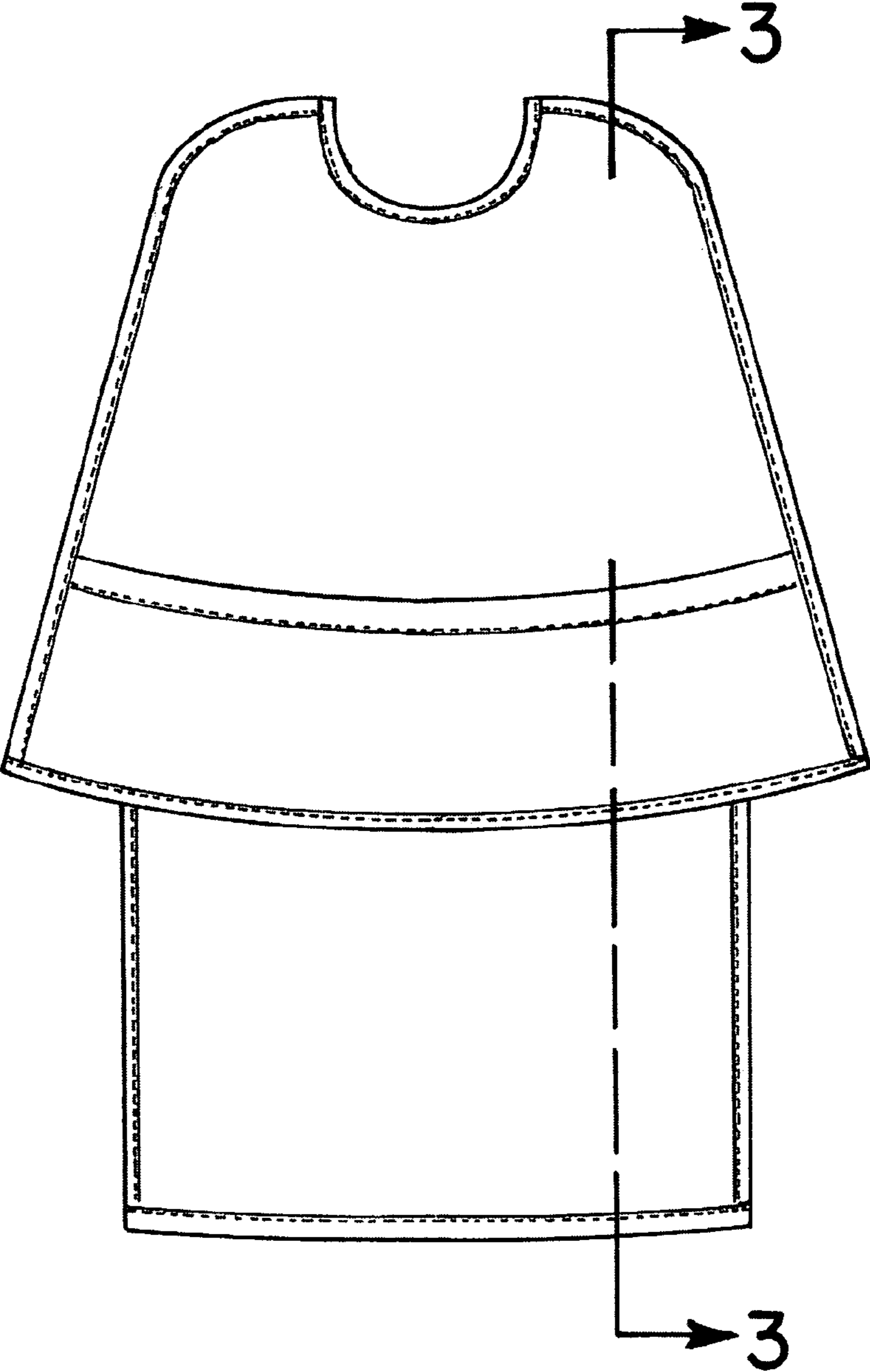


FIG. 1

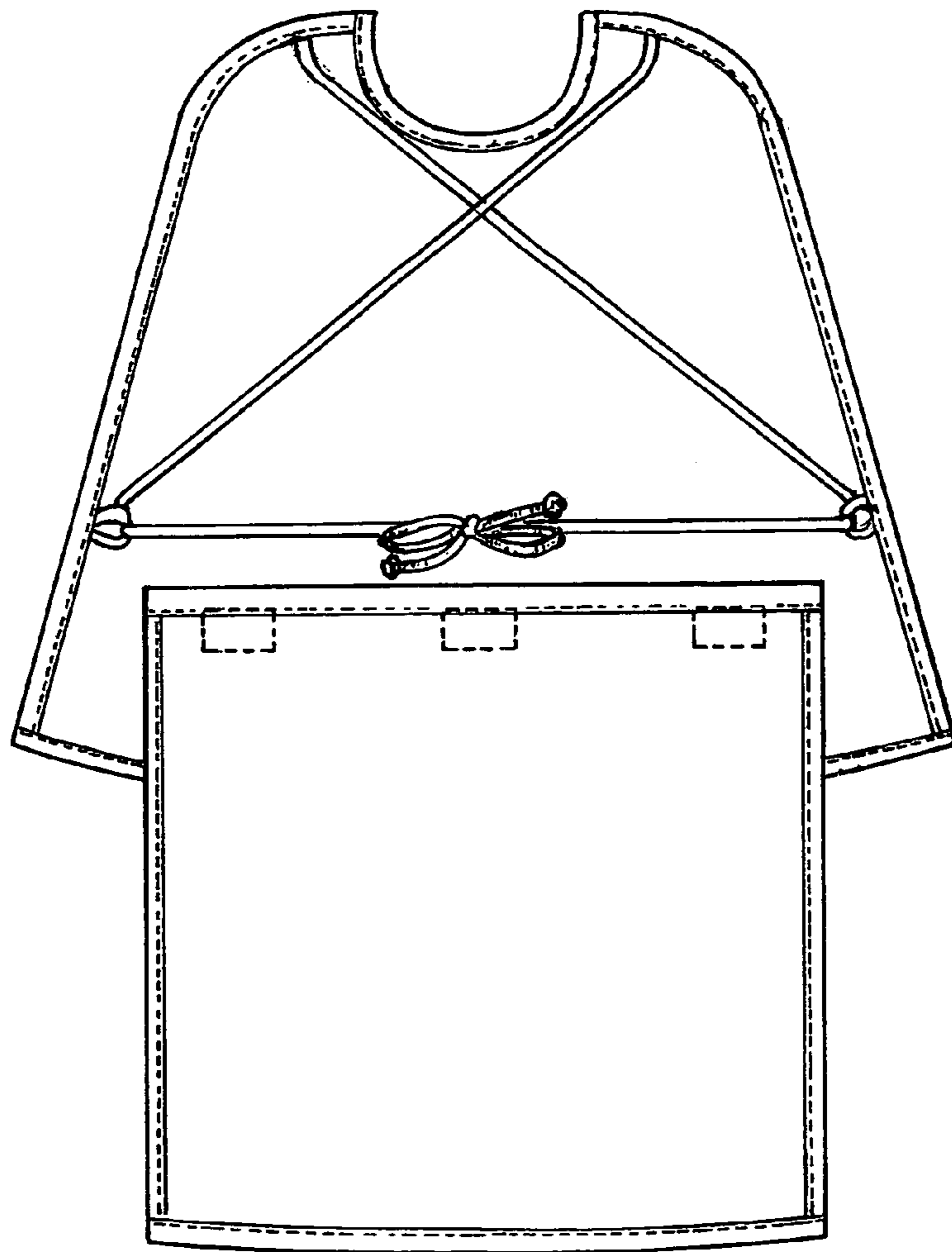


FIG. 2

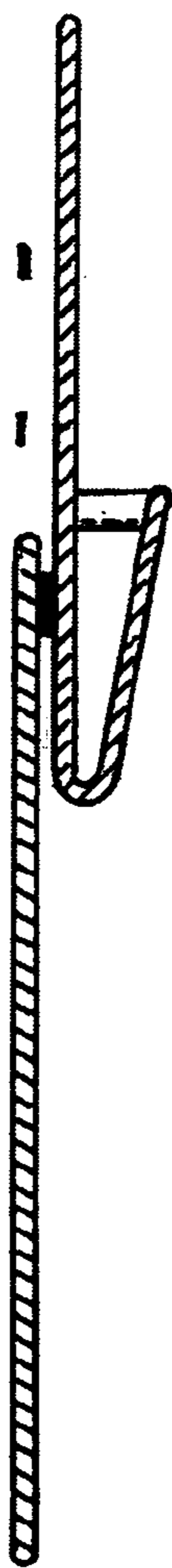


FIG. 3