



US00D686380S

(12) **United States Design Patent**
Bruneel

(10) **Patent No.:** **US D686,380 S**

(45) **Date of Patent:** **** Jul. 16, 2013**

(54) **FLEXIBLE VACUUM HEAD**

(76) Inventor: **Jean Julien Bruneel**, Kowloon (HK)

(**) Term: **14 Years**

(21) Appl. No.: **29/422,477**

(22) Filed: **May 21, 2012**

(51) **LOC (9) Cl.** **15-05**

(52) **U.S. Cl.**
USPC **D32/32**

(58) **Field of Classification Search**
USPC D32/21, 22, 31-34, 17, 42, 45, 50; 15/1.7,
15/415.1, 416-422.1, 414, 322, 353, 400,
15/327.1, 319, 366, 383, 179, 182, 41.1,
15/320, 403

See application file for complete search history.

(56) **References Cited**

U.S. PATENT DOCUMENTS

4,498,206	A *	2/1985	Braukmann	15/1.7
D487,947	S *	3/2004	Pecci et al.	D32/32
D488,600	S *	4/2004	Pecci et al.	D32/32
D490,950	S *	6/2004	Pecci et al.	D32/32
D612,116	S *	3/2010	Nicholas	D32/33
D629,982	S *	12/2010	Rossano et al.	D32/33

D645,217	S *	9/2011	Rossano et al.	D32/33
D654,237	S *	2/2012	Vrdoljak	D32/32
D657,928	S *	4/2012	Byrne	D32/50
2006/0265820	A1 *	11/2006	Erlich et al.	15/1.7
2007/0169289	A1 *	7/2007	Hanvey et al.	15/1.7

* cited by examiner

Primary Examiner — Ruth McInroy

(74) *Attorney, Agent, or Firm* — George G. Wang; Bei & Ocean

(57) **CLAIM**

I claim the ornamental design for a flexible vacuum head, as shown and described.

DESCRIPTION

FIG. 1 is a top perspective view of a flexible vacuum head showing my new design;
FIG. 2 is a bottom perspective view thereof;
FIG. 3 is a top plan view thereof;
FIG. 4 is a bottom plan view thereof;
FIG. 5 is a front view thereof;
FIG. 6 is a rear view thereof;
FIG. 7 is a left side view thereof; and,
FIG. 8 is a right side view thereof.

1 Claim, 8 Drawing Sheets

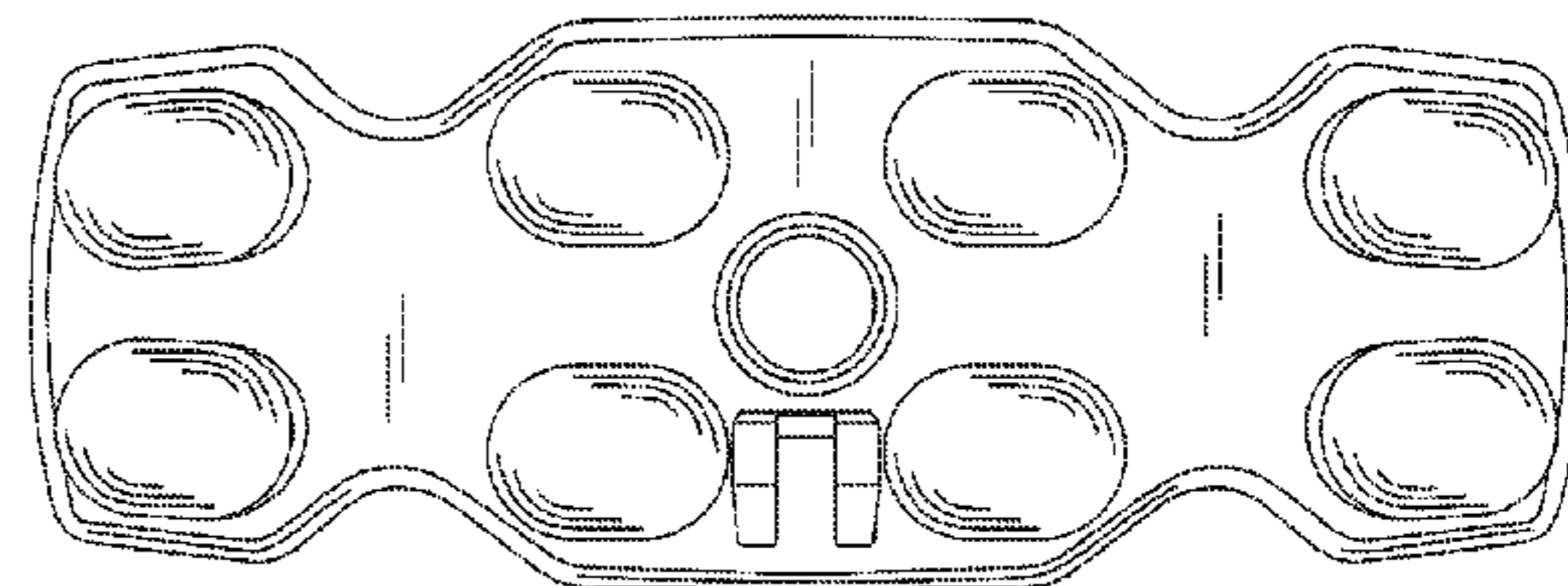
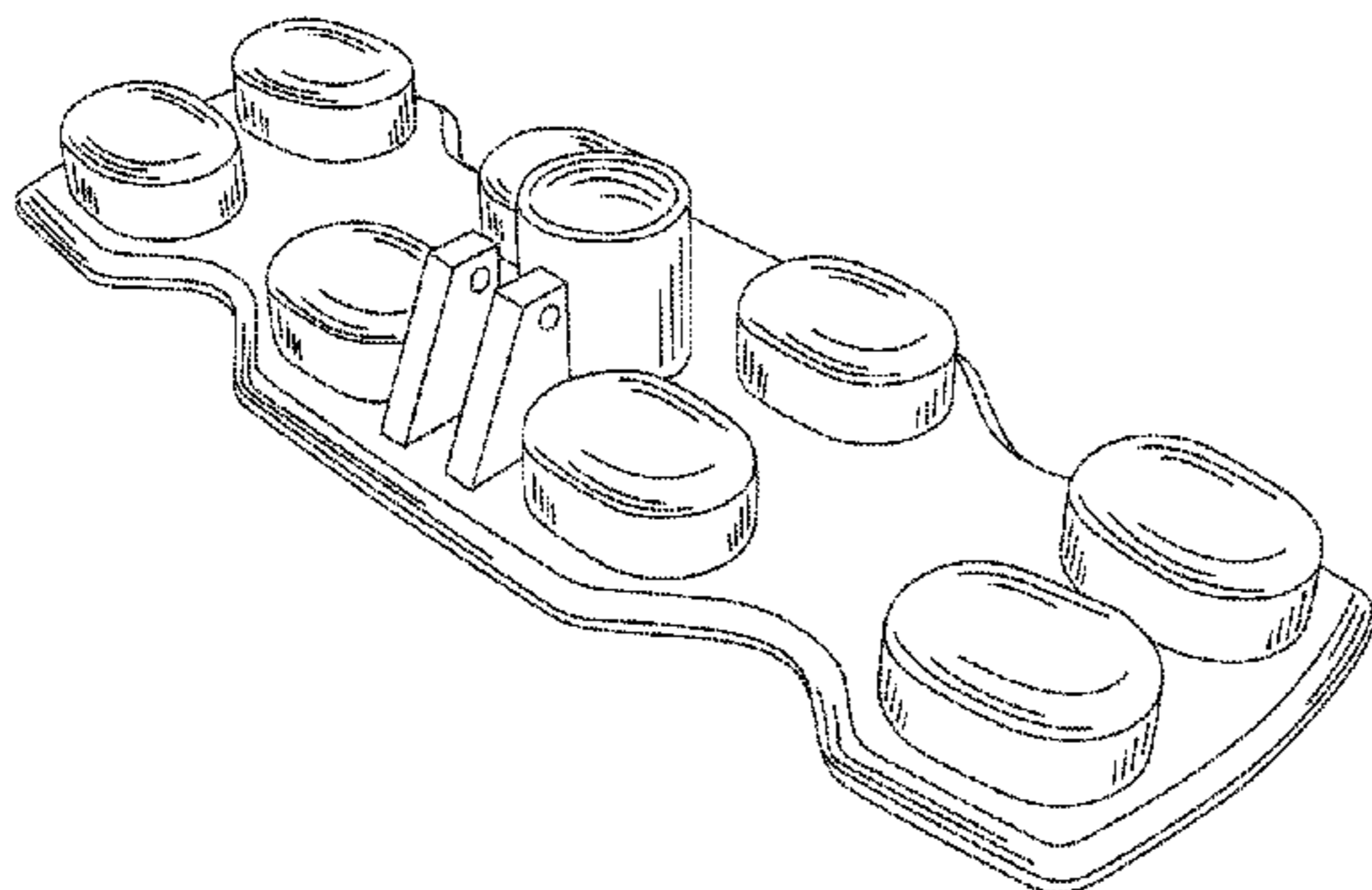


FIG. 1

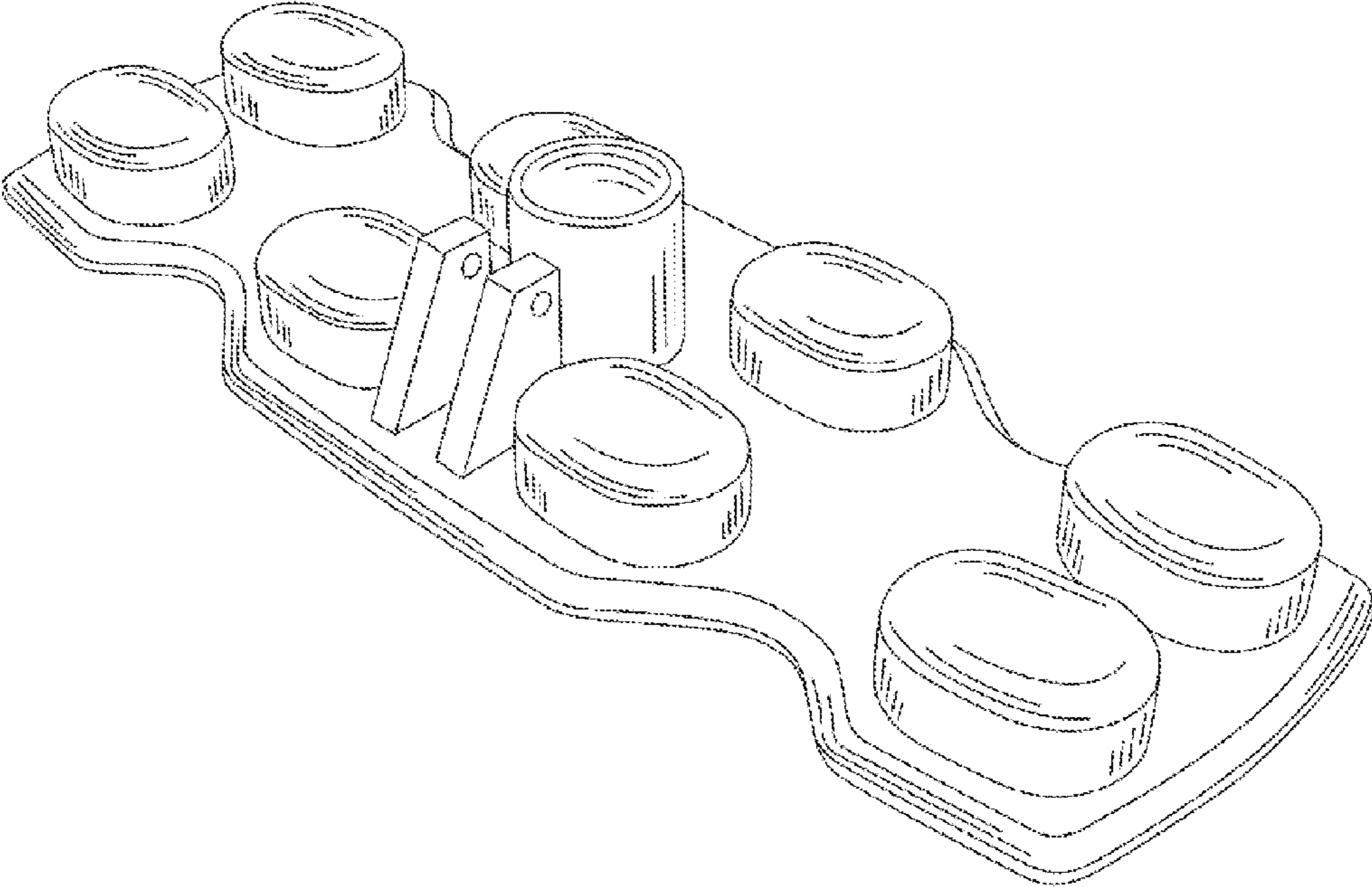


FIG.2

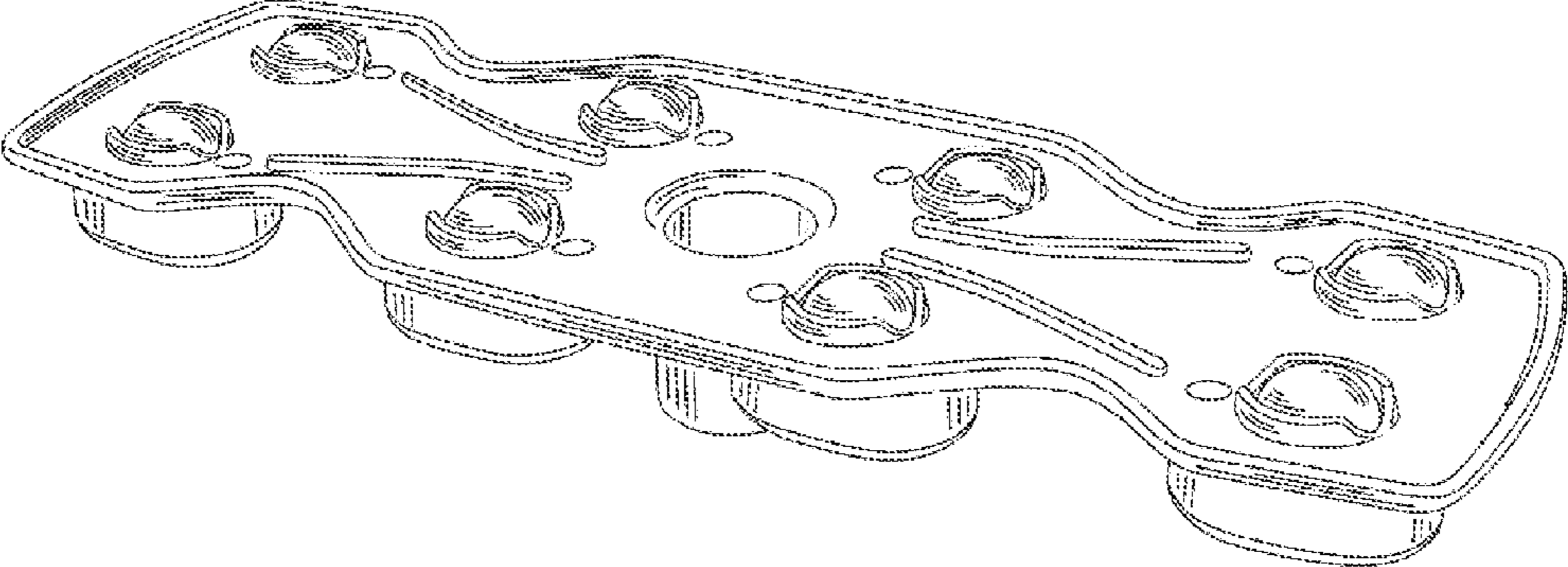


FIG.3

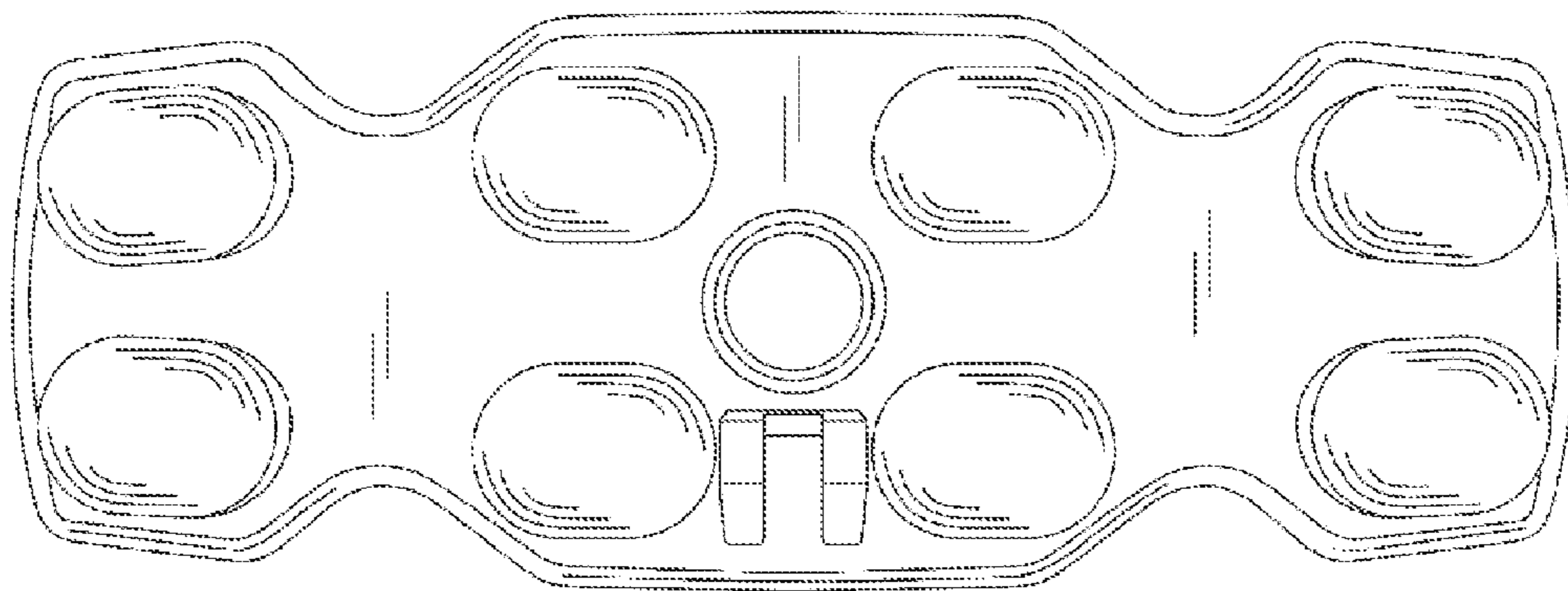


FIG.4

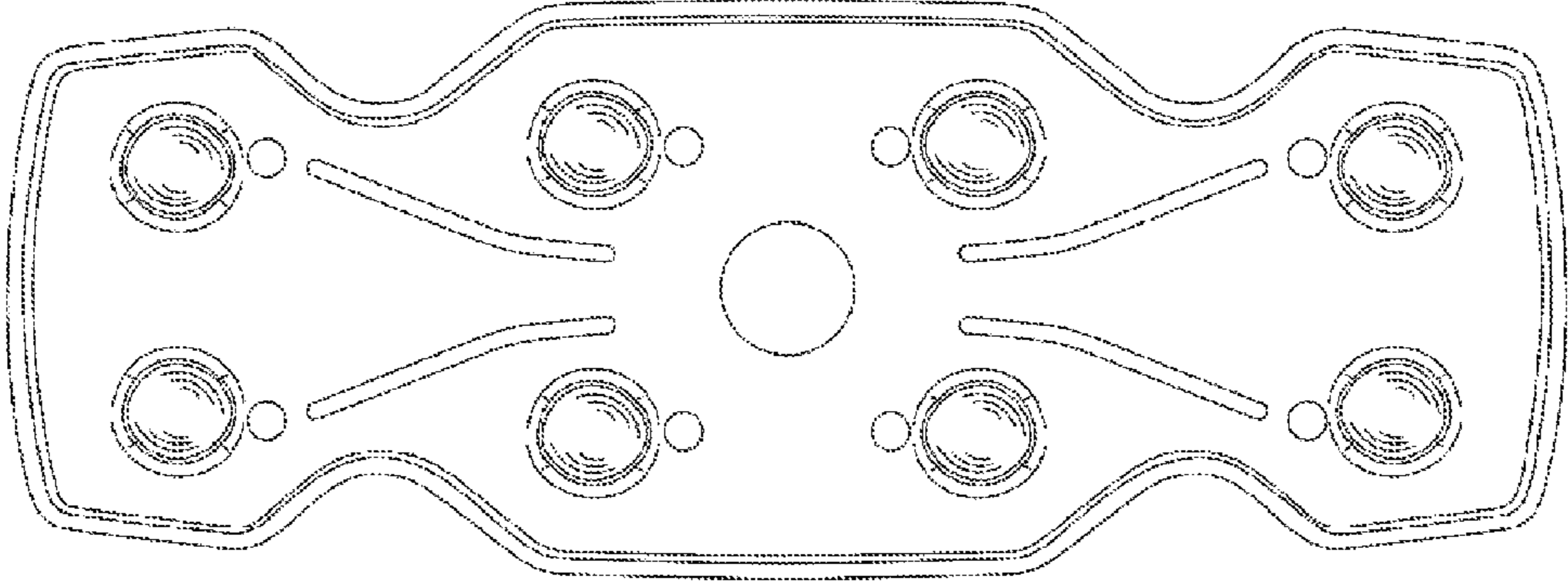


FIG.5

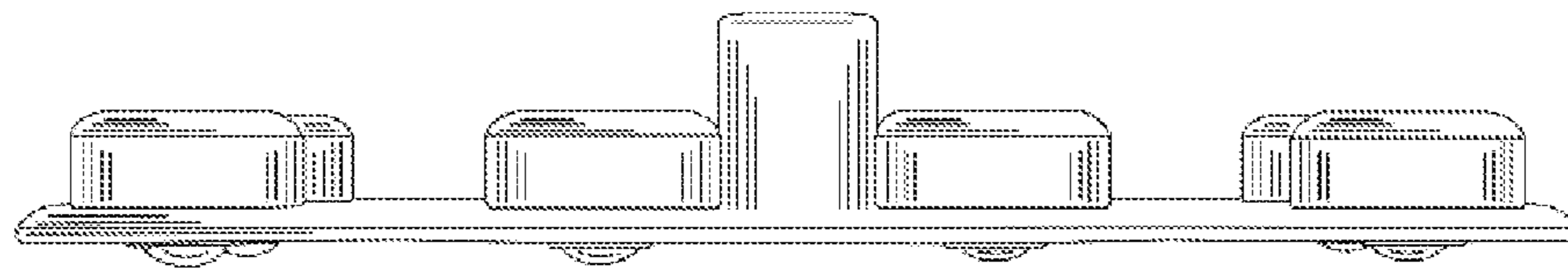


FIG.6

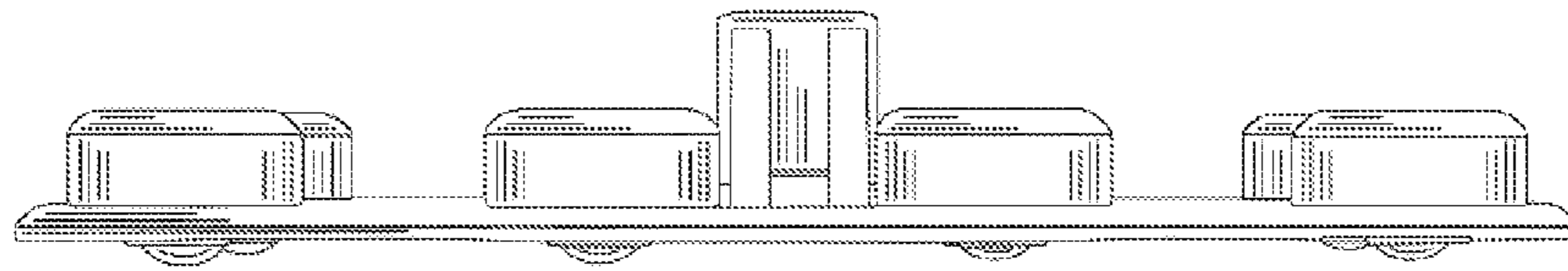


FIG.7

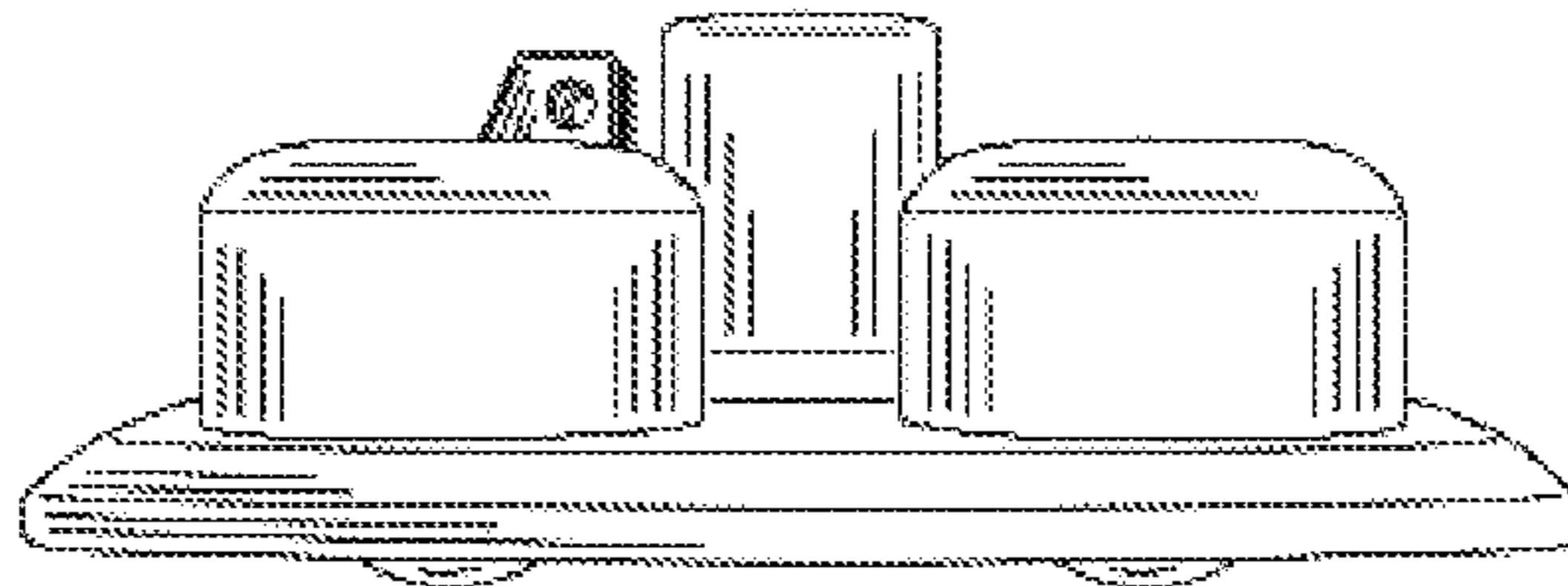


FIG.8

