



US00D686379S

(12) **United States Design Patent**
Kim et al.

(10) **Patent No.:** **US D686,379 S**
(45) **Date of Patent:** **** Jul. 16, 2013**

(54) **BRUSH FOR VACUUM CLEANER**
(75) Inventors: **Jae Jun Kim**, Seoul (KR); **Dong Won Chun**, Kyunggi-do (KR); **Eun-Sun Lim**, Seoul (KR)

D518,613 S * 4/2006 Alton D32/32
D543,669 S * 5/2007 Ikeno et al. D32/32
D566,355 S * 4/2008 Paredes et al. D32/32
D594,612 S * 6/2009 Umeda D32/32
D619,315 S * 7/2010 Ayers D32/32
D655,468 S * 3/2012 Karsan D32/33
2006/0021188 A1* 2/2006 Lee 15/419

(73) Assignee: **Samsung Electronics Co., Ltd.**, Suwon-si (KR)

* cited by examiner

(**) Term: **14 Years**

Primary Examiner — Ruth McInroy

(21) Appl. No.: **29/400,891**

(74) *Attorney, Agent, or Firm* — Ladas & Parry LLP

(22) Filed: **Sep. 2, 2011**

(51) **LOC (9) Cl.** **15-05**

(52) **U.S. Cl.**
USPC **D32/32**

(58) **Field of Classification Search**
USPC D32/21, 22, 31–34, 17, 42, 45, 50; 15/1.7, 15/415.1, 416–422.1, 414, 322, 353, 400, 15/327.1, 319, 366, 383, 179, 182, 41.1, 15/320, 403

See application file for complete search history.

(56) **References Cited**

U.S. PATENT DOCUMENTS

D473,687 S * 4/2003 Kaffenberger D32/33
D499,850 S * 12/2004 Leyden D32/32
D507,854 S * 7/2005 Kim D32/32

(57) **CLAIM**

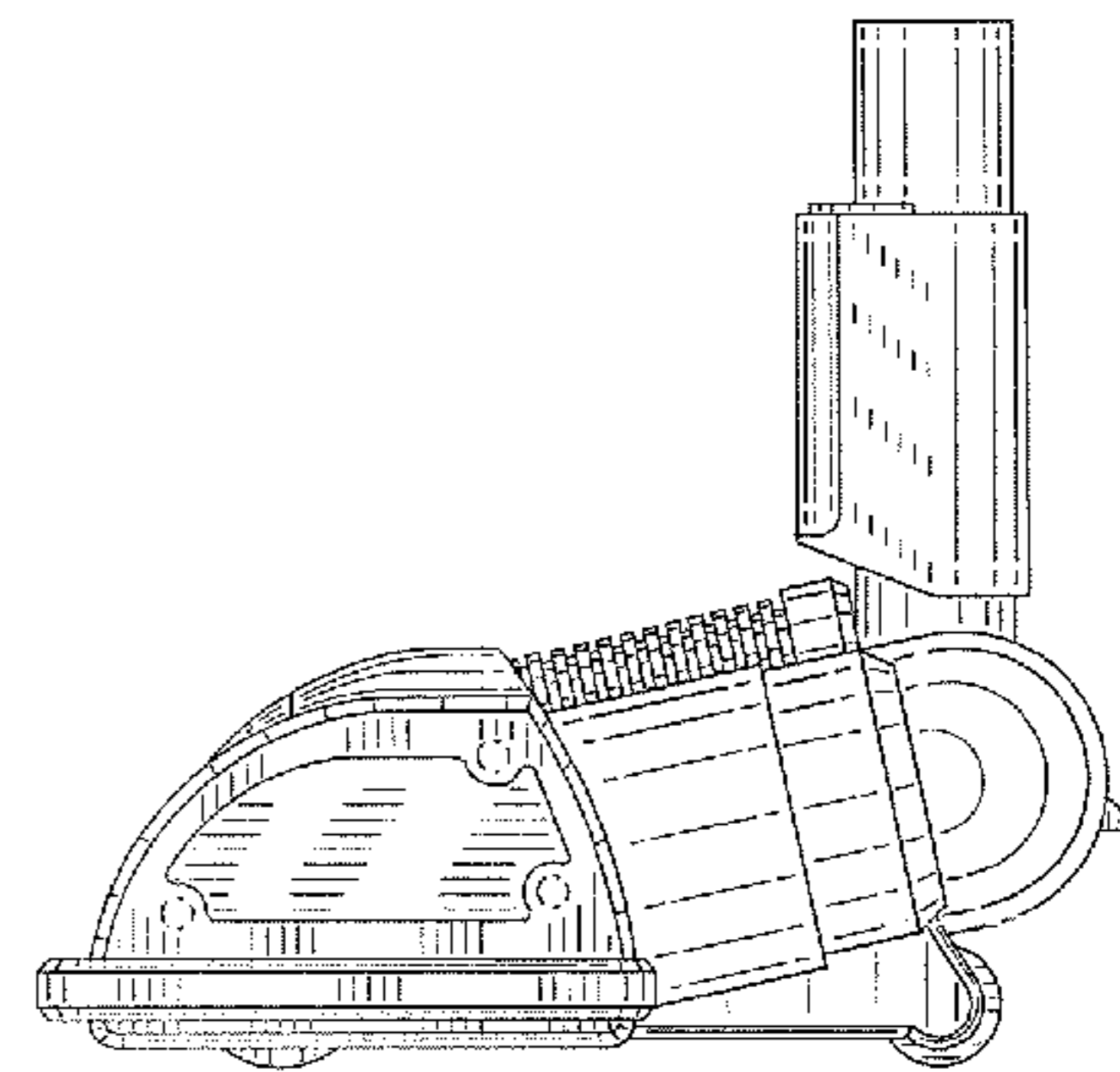
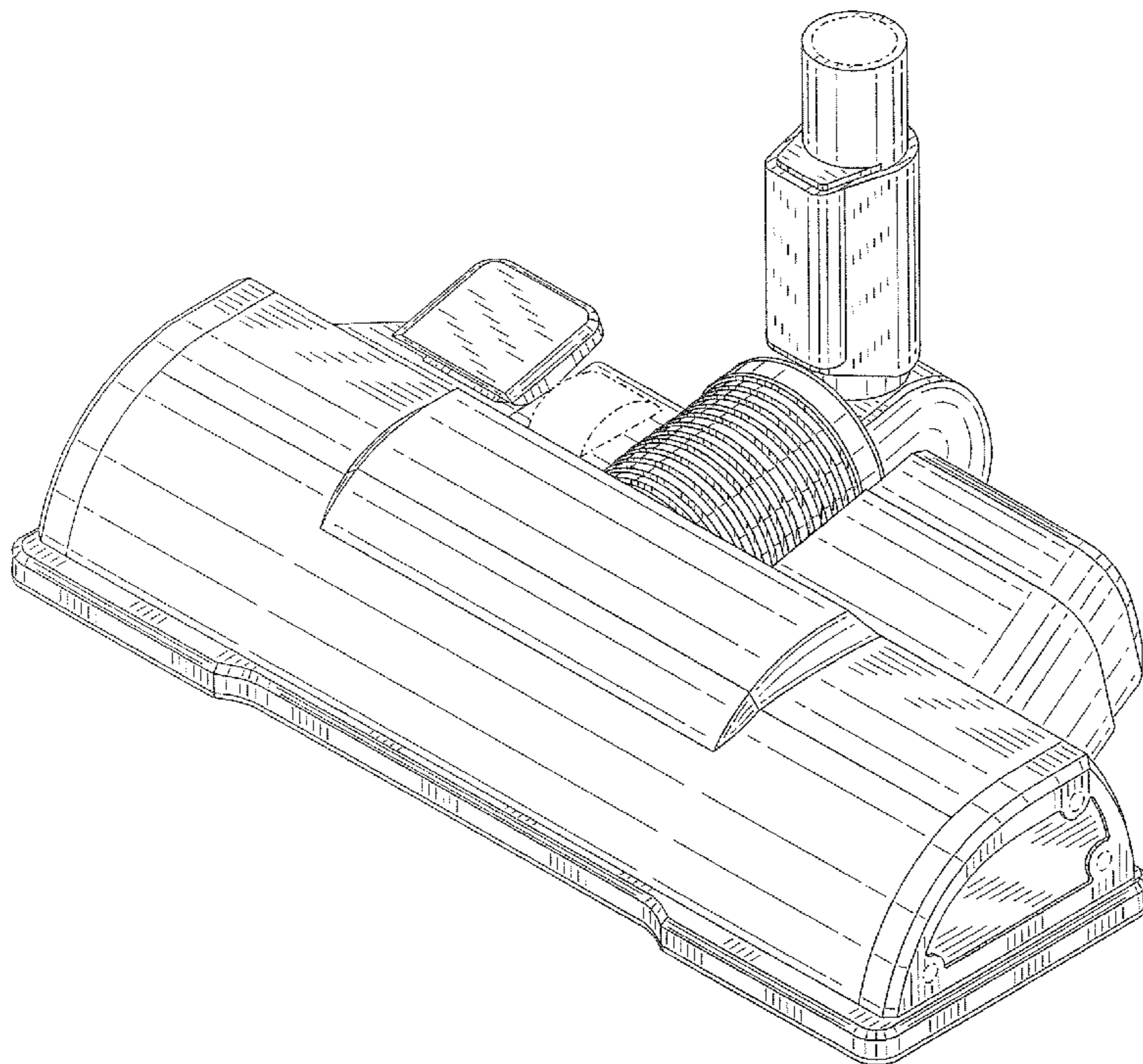
We claim the ornamental design for a brush for vacuum cleaner, as shown and described.

DESCRIPTION

FIG. 1 is a top, front, and right-side perspective view of a brush for a vacuum cleaner showing my new design; FIG. 2 is a front elevational view thereof; FIG. 3 is a rear elevational view thereof; FIG. 4 is a left-side elevational view thereof; FIG. 5 is a right-side elevational view thereof; and, FIG. 6 is a top plan view thereof.

The details shown in broken lines form no part of the claimed design.

1 Claim, 4 Drawing Sheets



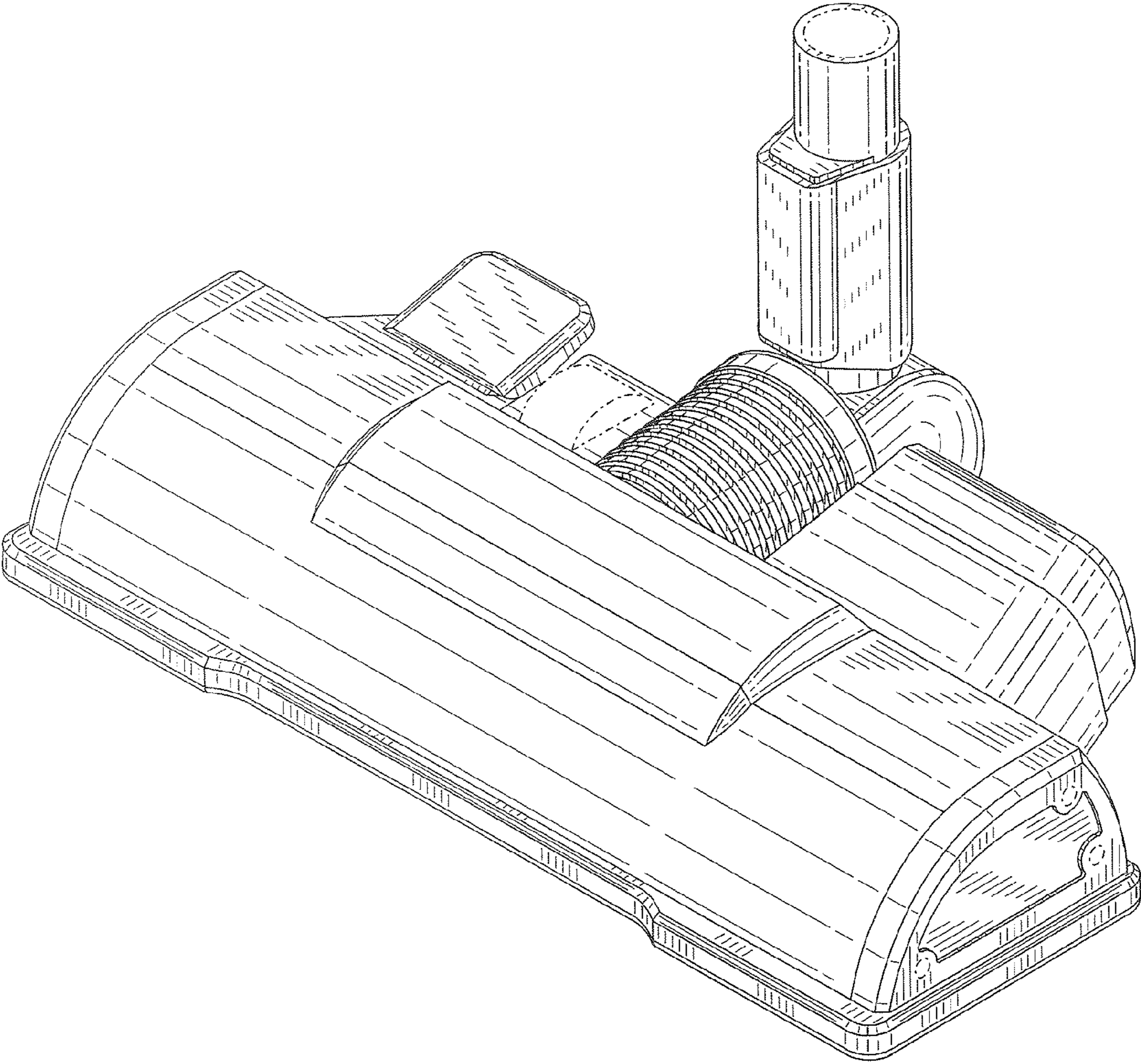


FIG. 1

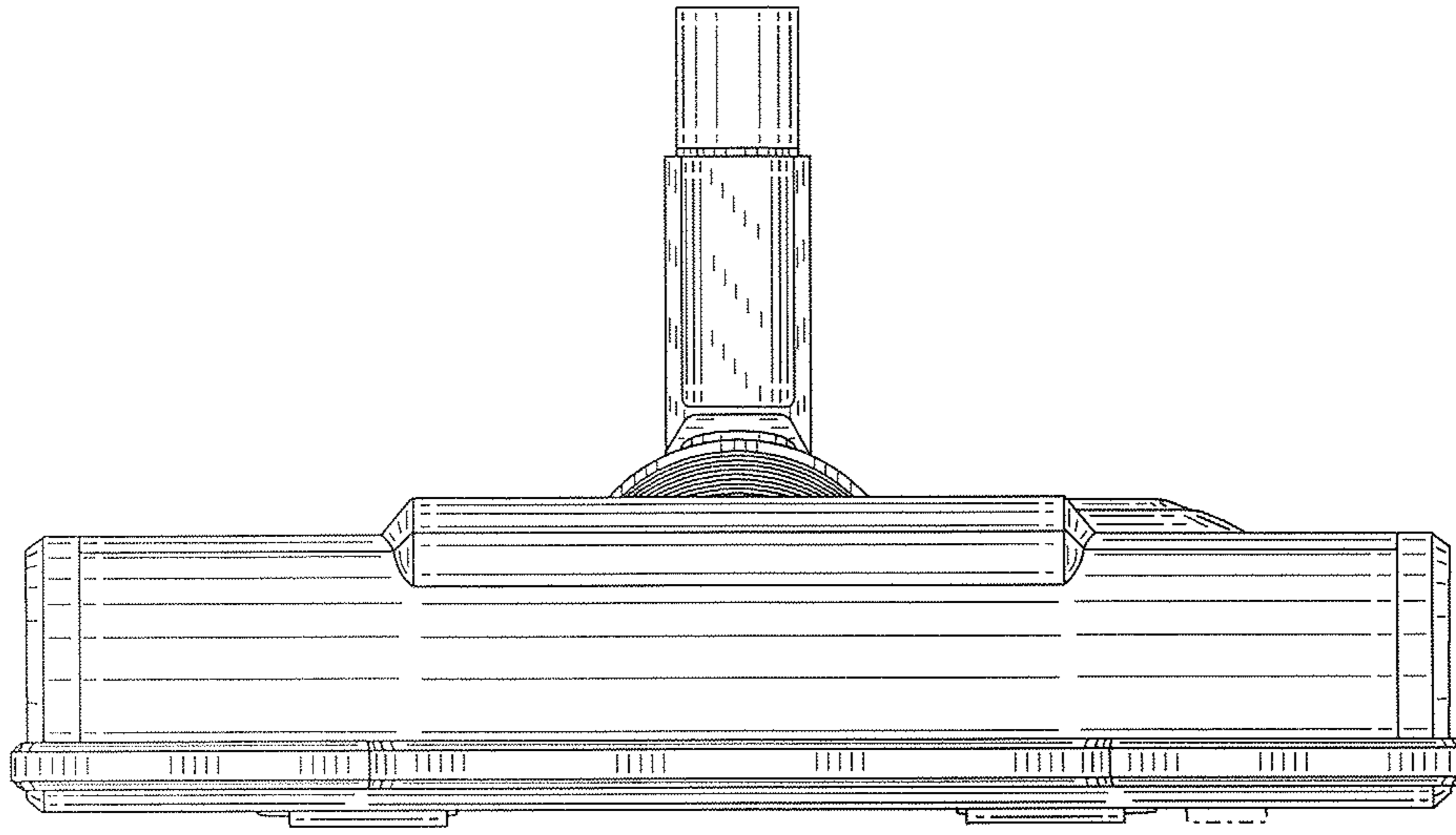


FIG. 2

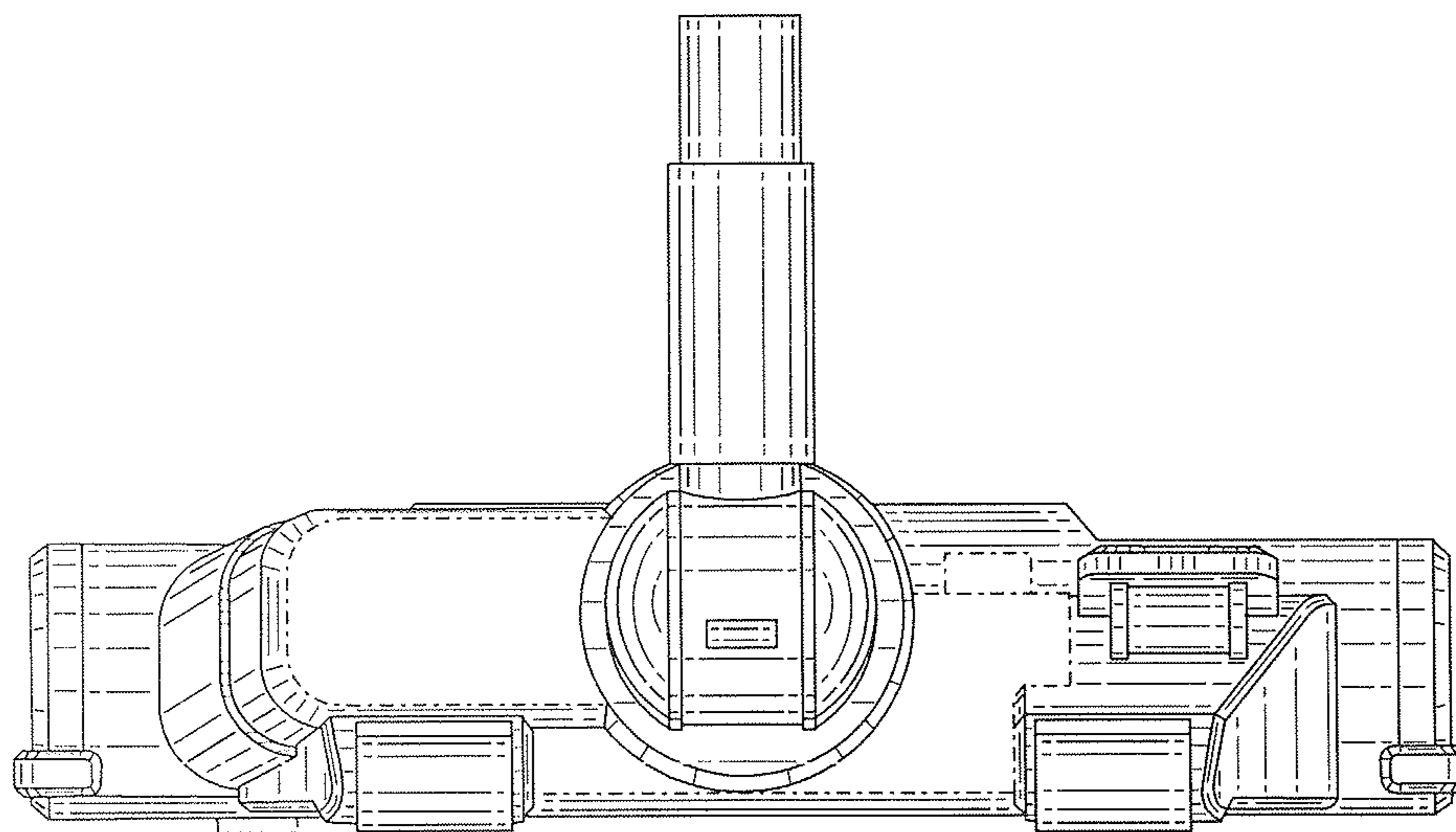


FIG. 3

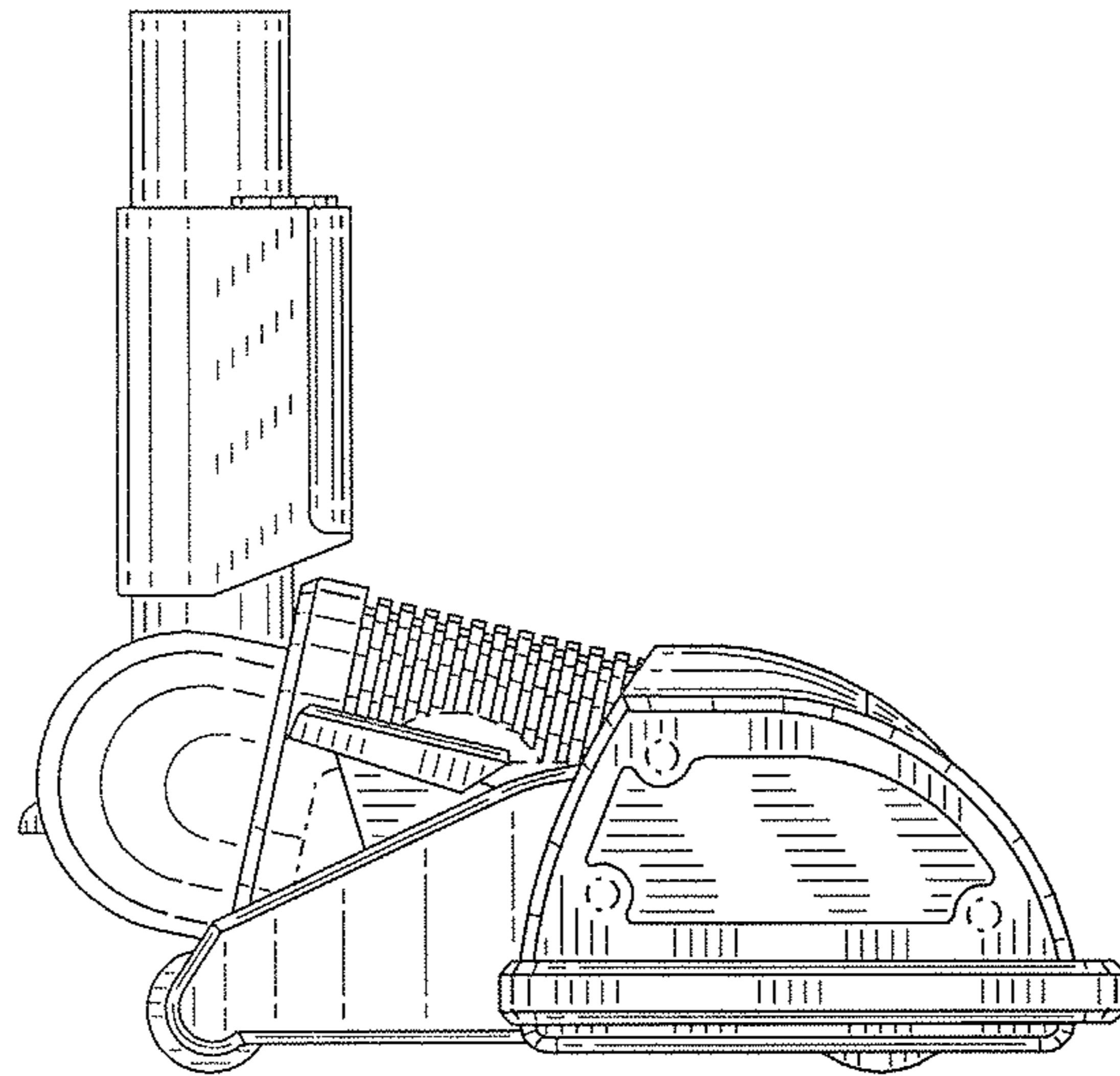


FIG. 4

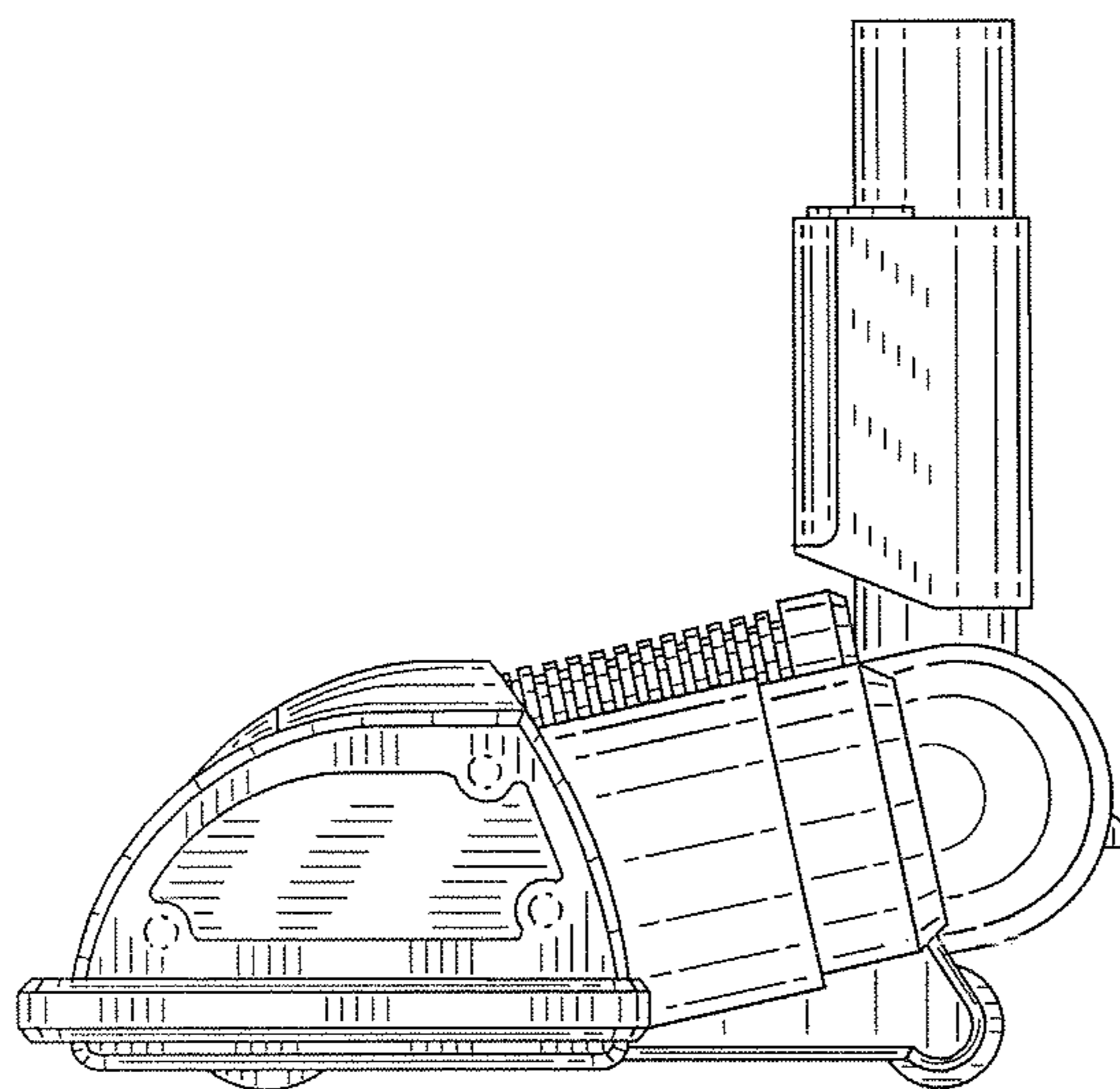


FIG. 5

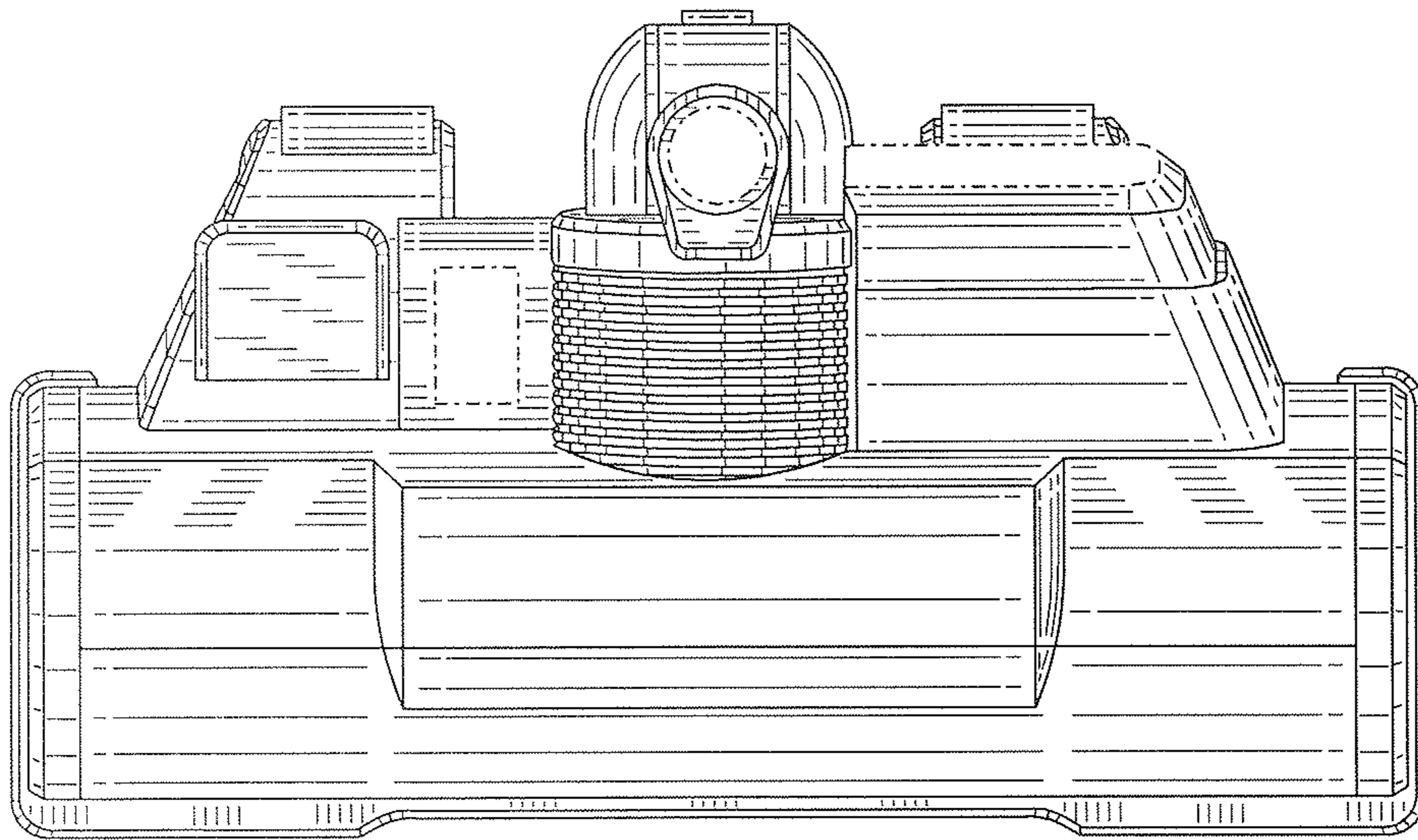


FIG. 6