



US00D686376S

(12) **United States Design Patent**
Barnhill

(10) **Patent No.:** **US D686,376 S**

(45) **Date of Patent:** **** Jul. 16, 2013**

(54) **WASHING MACHINE DRAIN HOSE TRAP**

(76) Inventor: **Phillip Barnhill**, Hammond, IN (US)

(**) Term: **14 Years**

(21) Appl. No.: **29/392,629**

(22) Filed: **May 24, 2011**

(51) **LOC (9) Cl.** **15-05**

(52) **U.S. Cl.**
USPC **D32/30**

(58) **Field of Classification Search**
USPC D32/1, 25, 29.1, 30; 210/449, 460,
210/462-463, 473-474, 485, 499; 34/82,
34/86

See application file for complete search history.

(56) **References Cited**

U.S. PATENT DOCUMENTS

| | | | | | |
|-----------|------|---------|-------------|-------|----------|
| 2,374,756 | A * | 5/1945 | Kisch | | 210/460 |
| 3,487,944 | A * | 1/1970 | Tucker | | 210/463 |
| 3,638,799 | A * | 2/1972 | Serowiecki | | 210/462 |
| 3,960,733 | A * | 6/1976 | Van Dieren | | 210/460 |
| 3,984,330 | A * | 10/1976 | Nichols | | 210/449 |
| 5,437,789 | A * | 8/1995 | Sabo et al. | | 210/357 |
| 5,675,908 | A * | 10/1997 | Barnes | | 34/235 |
| D435,946 | S * | 1/2001 | Buenik | | D32/25 |
| 6,997,966 | B2 * | 2/2006 | Iantorno | | 55/385.1 |

* cited by examiner

Primary Examiner — T. Chase Nelson

Assistant Examiner — Kathleen M Sims

(74) *Attorney, Agent, or Firm* — Gulf Coast Intellectual Property Group

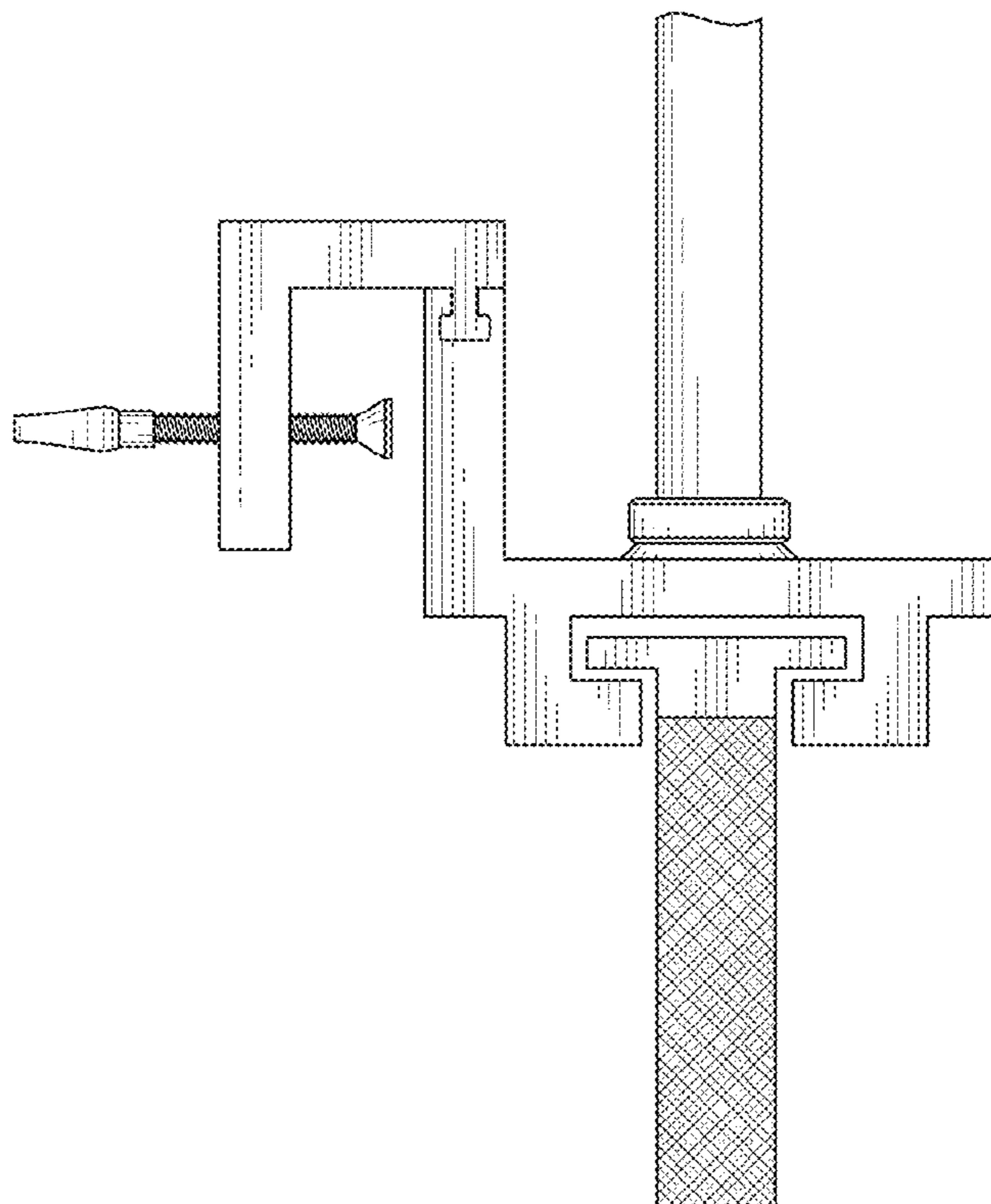
(57) **CLAIM**

The ornamental design for a washing machine drain hose trap, as shown and described.

DESCRIPTION

FIG. 1 is a top view thereof; and
FIG. 2 is a bottom view thereof; and
FIG. 3 is a front view thereof; and
FIG. 4 is a rear view thereof; and
FIG. 5 is a right side view thereof; and
FIG. 6 is left side view thereof; and,
FIG. 7 is a perspective view thereof wherein washing machine drain hose trap is shown operably coupled to a sink. The broken lines showing of parts of the drawings is included for the purpose of illustrating use and environment and forms no part of the claimed design. The broken away symbols in the washing machine drain hose indicate that any portion of the article beyond what is shown forms no part of the claimed design.

1 Claim, 3 Drawing Sheets



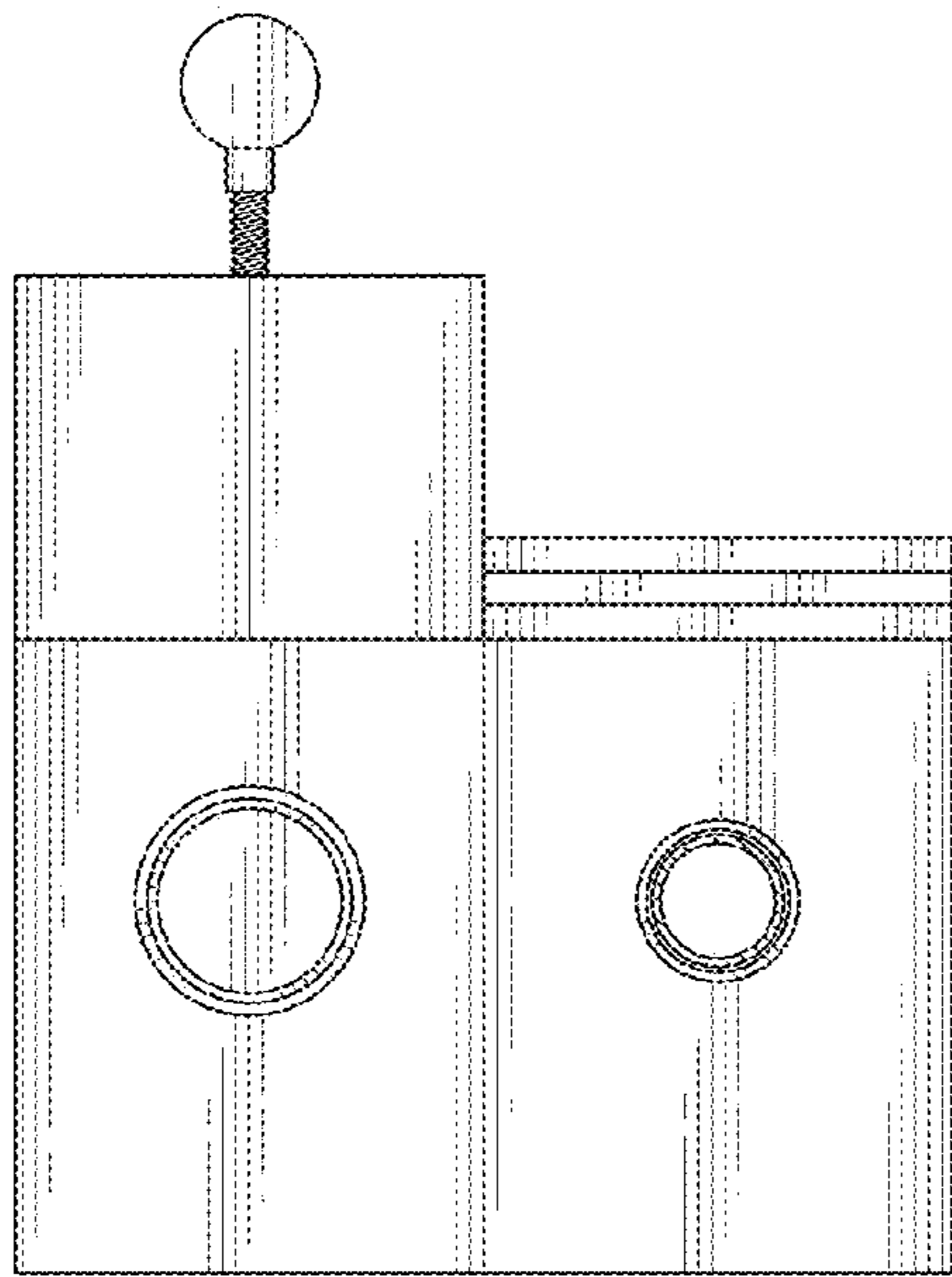


FIG. 1

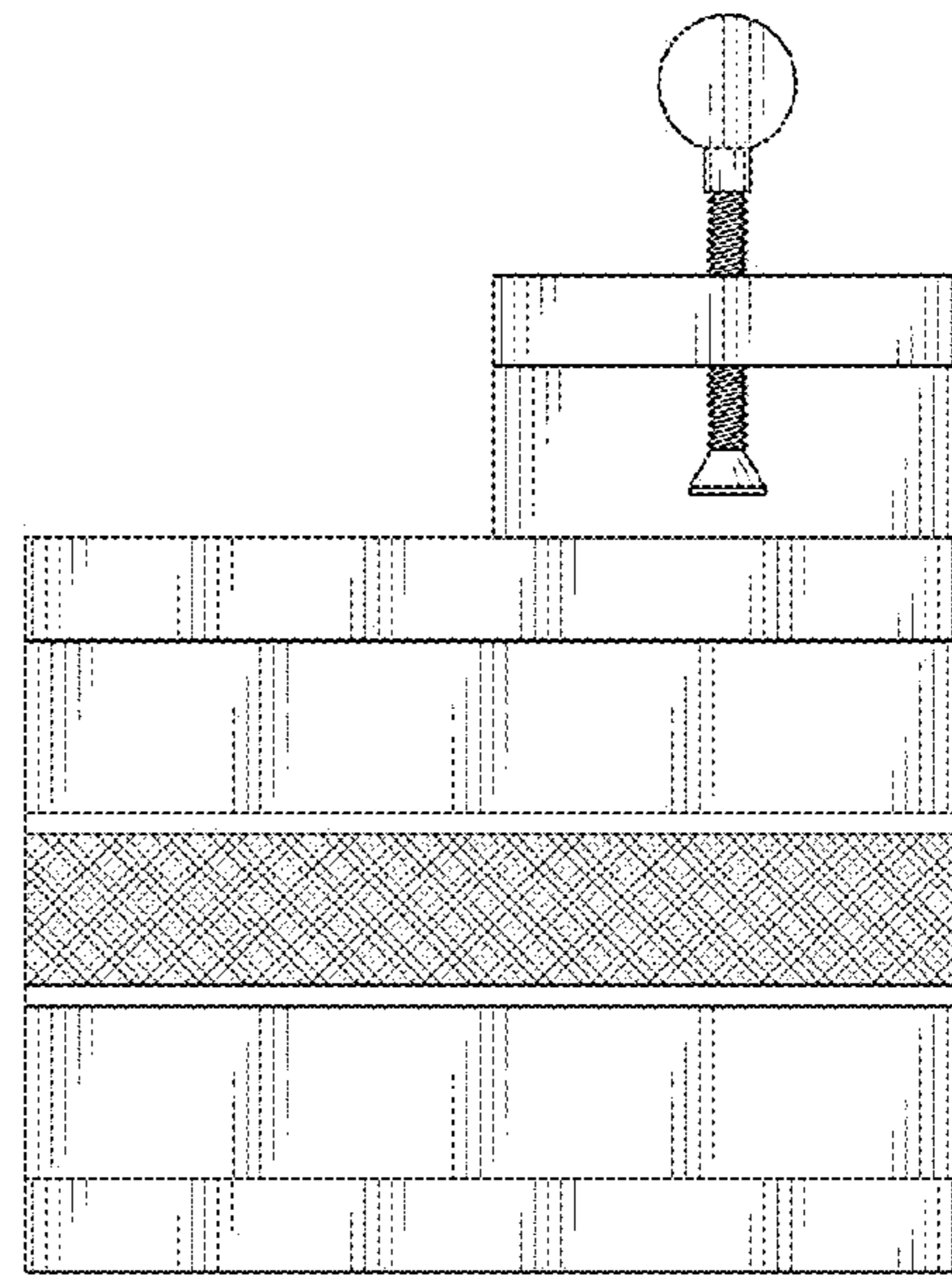


FIG. 2

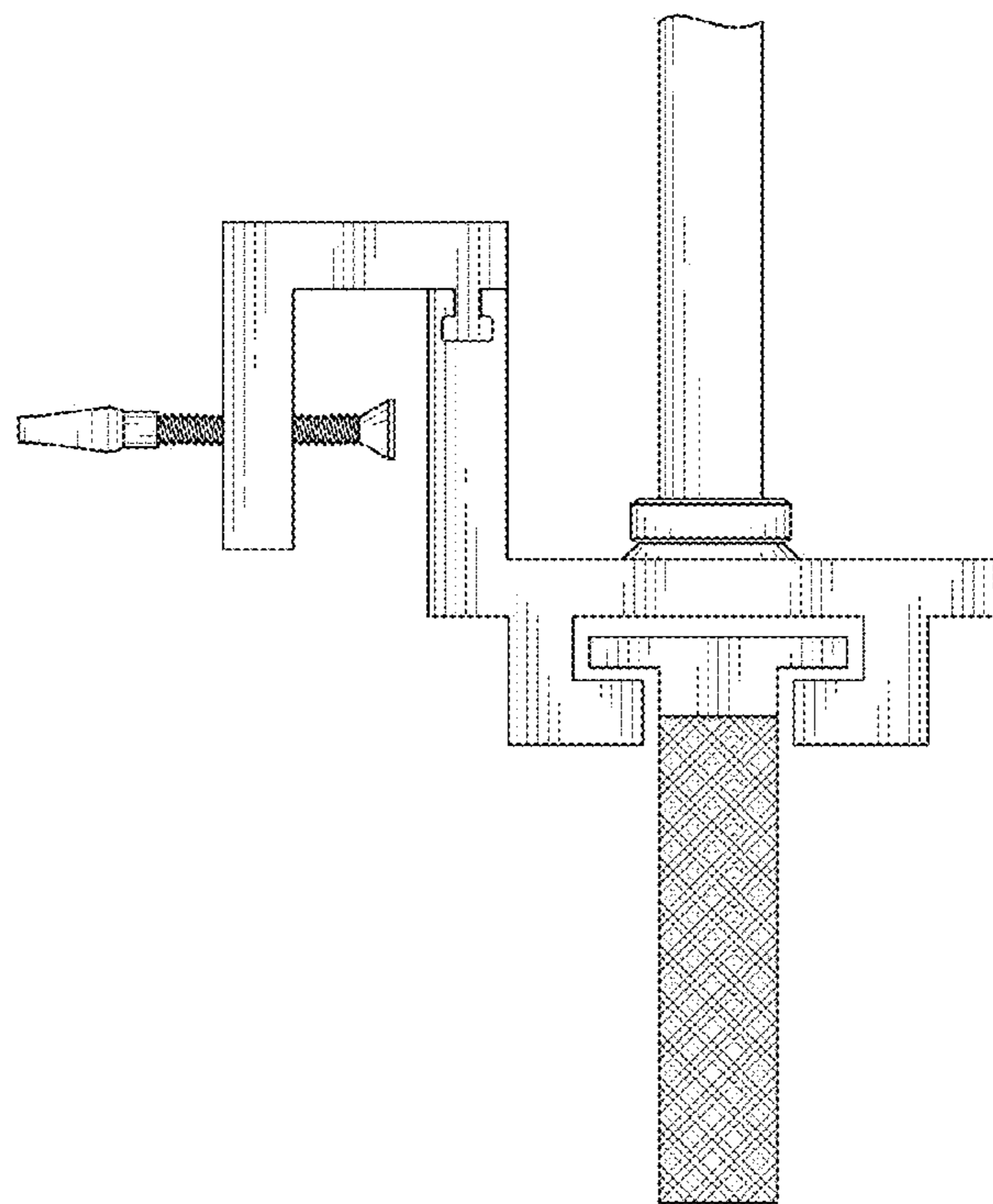


FIG. 3

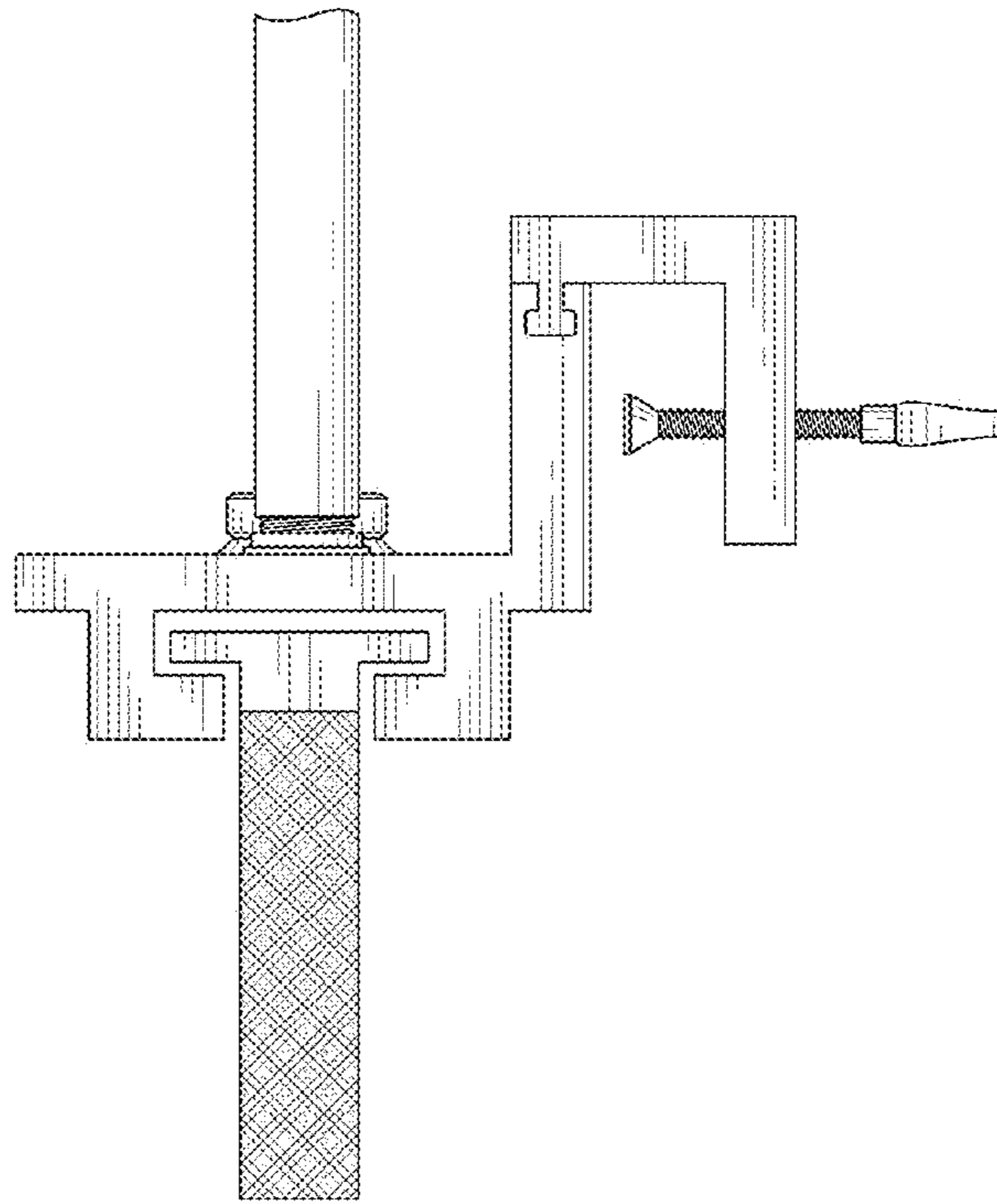


FIG. 4

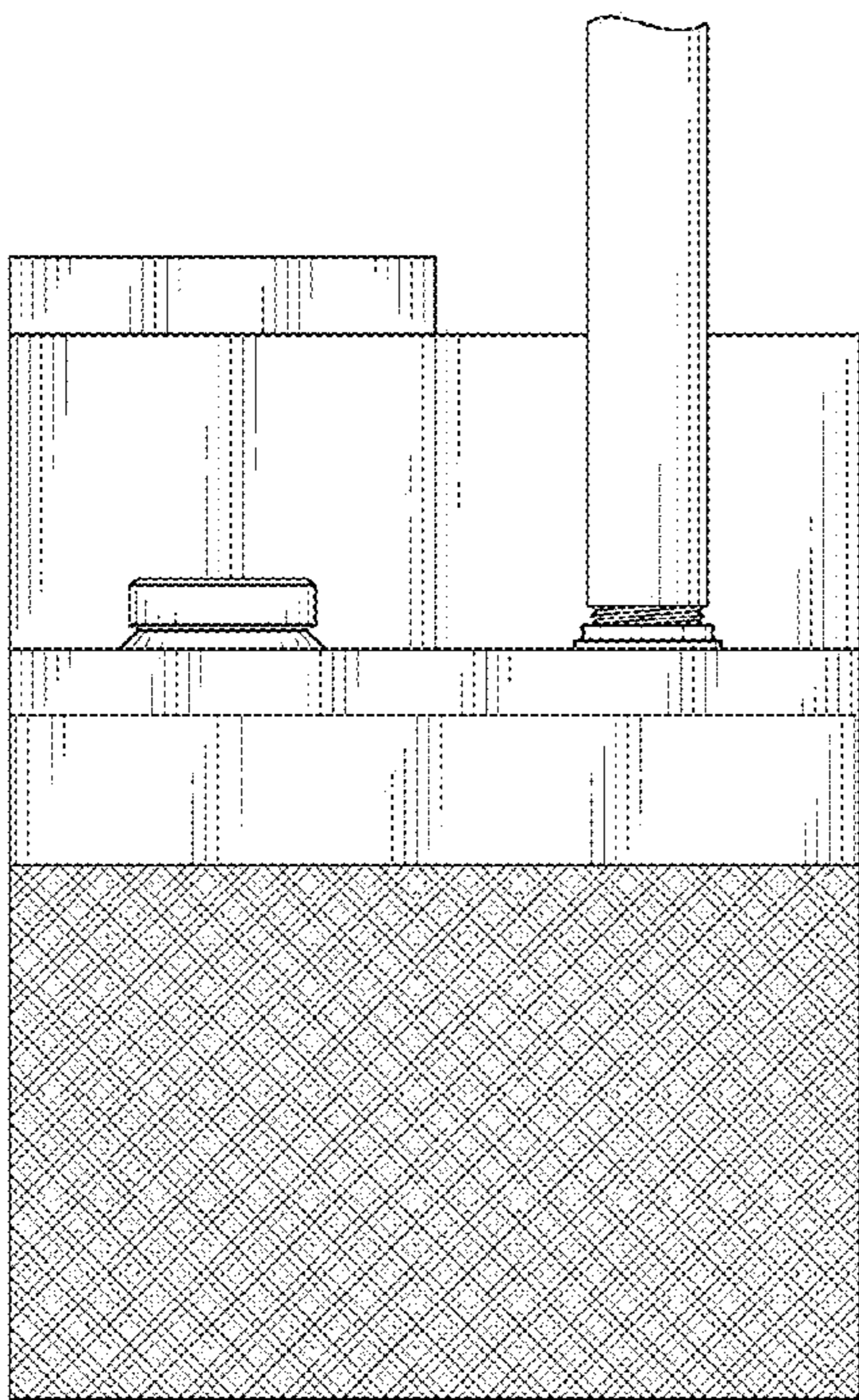


FIG. 5

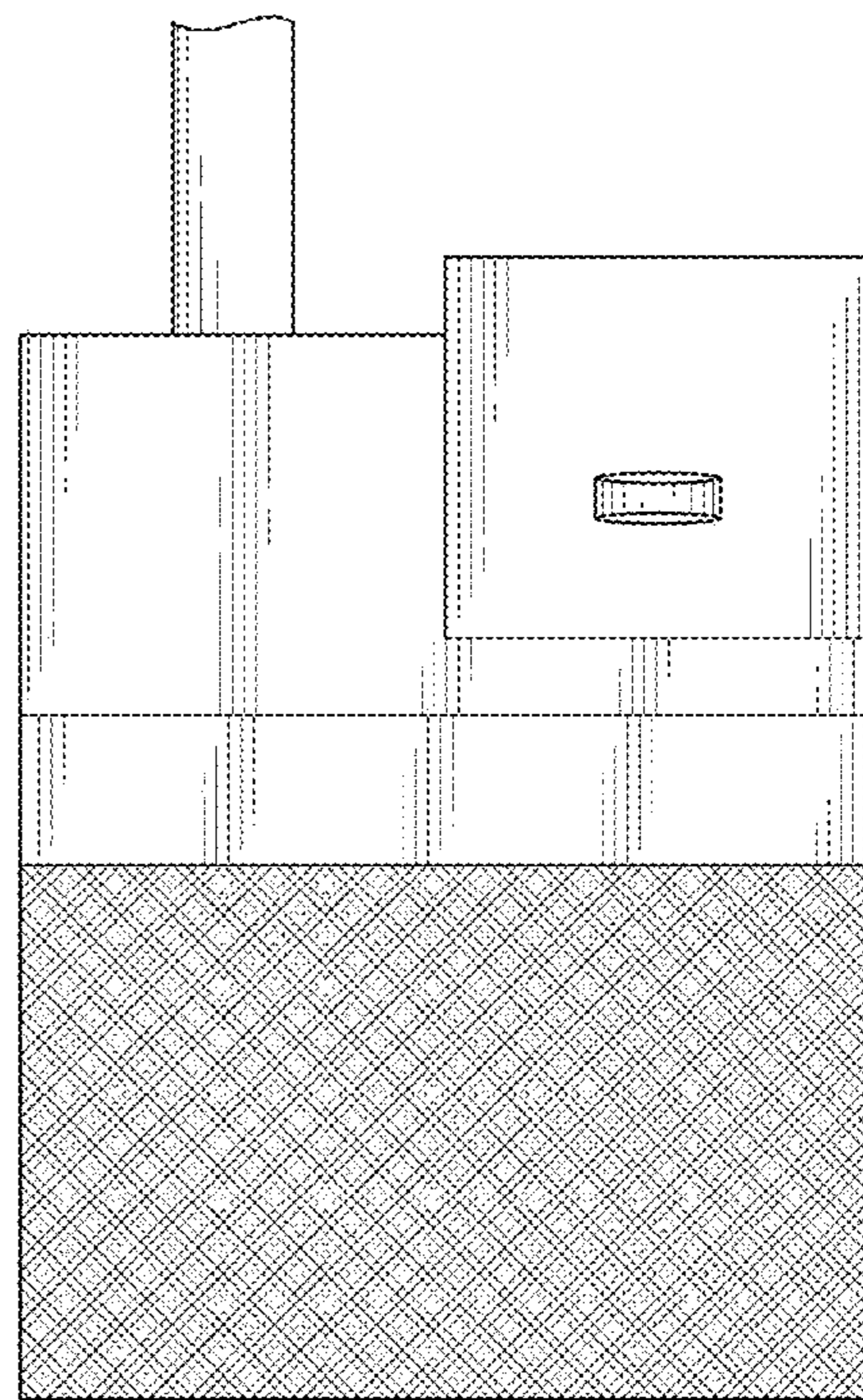


FIG. 6

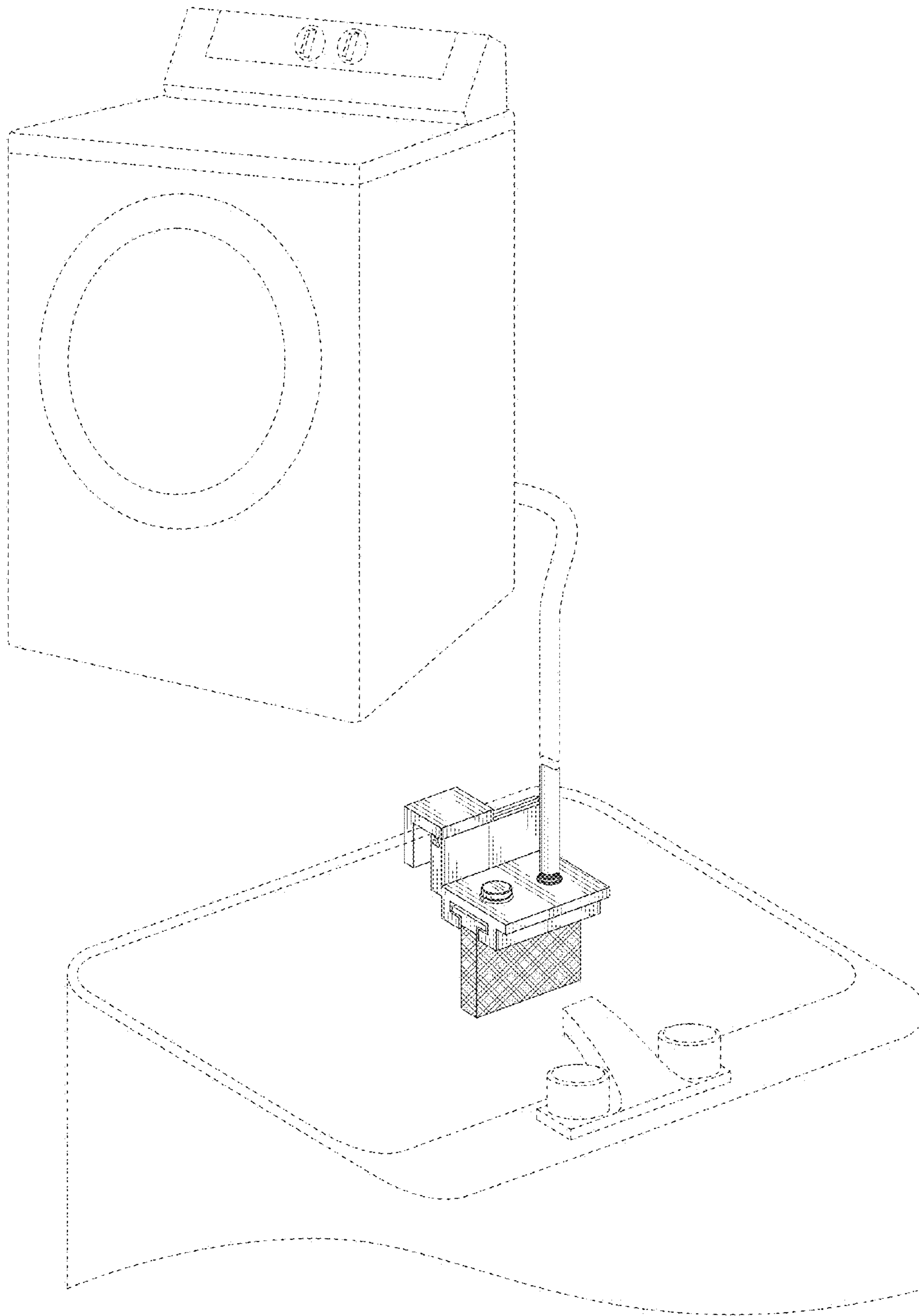


FIG. 7