



US00D686375S

(12) **United States Design Patent**
Nazimek et al.

(10) **Patent No.:** **US D686,375 S**
(45) **Date of Patent:** **** Jul. 16, 2013**

(54) **Y-SHAPED DOG TOY**

(75) Inventors: **Jill B. Nazimek**, Golden, CO (US);
Greg Allen Nazimek, Golden, CO (US)

(73) Assignee: **Katie's Bumpers**, Golden, CO (US)

(**) Term: **14 Years**

(21) Appl. No.: **29/404,846**

(22) Filed: **Oct. 26, 2011**

(51) **LOC (9) Cl.** **30-99**

(52) **U.S. Cl.**
USPC **D30/160**

(58) **Field of Classification Search**
USPC D30/160; D21/386, 405-406, 408,
D21/455; 119/702, 706-711; D6/601
See application file for complete search history.

(56) **References Cited**

U.S. PATENT DOCUMENTS

D197,889	S	*	4/1964	Hass	D30/160
D272,867	S		3/1984	Gwaltney et al.		
D329,310	S	*	9/1992	O'Rourke	D30/160
D330,100	S		10/1992	O'Rourke		
5,367,986	A	*	11/1994	O'Rourke et al.	119/709
D355,279	S	*	2/1995	O'Rourke et al.	D30/160
D366,673	S	*	1/1996	Harling-Berg	D30/160
5,706,762	A	*	1/1998	Dokken	119/712
5,947,061	A	*	9/1999	Markham et al.	119/710
D451,650	S	*	12/2001	Kaplan	D30/160
D496,408	S	*	9/2004	Kessler	D21/455
D519,770	S		5/2006	Leone		
D523,680	S	*	6/2006	Burke	D6/601
D575,910	S		8/2008	Nazimek		
D578,726	S	*	10/2008	Edwards	D30/160
D597,263	S		7/2009	Nazimek		
D629,978	S		12/2010	Nazimek		

D638,178	S	*	5/2011	Byrne	D30/160
D660,848	S	*	5/2012	Moore et al.	D14/455
D661,848	S	*	6/2012	Byrne	D30/160

OTHER PUBLICATIONS

<http://www.katiesbumpers.com/documents/products.htm>; XYZ Fire Hose Dog Toys; Copyright 2006.*
dog.com catalog; p. 20; Fire Hose Stretch and Fetch #101490.
Vo-Toys, Inc., Grip N' Dots Training Dummie; scan of website [http://www.vo-toys.com/catalog/detail.php?BEID=5942].
U.S. Appl. No. 29/404,845, filed Oct. 26, 2011, inventor Jill B. Nazimek.
U.S. Appl. No. 29/404,847, filed Oct. 26, 2011, inventor Jill B. Nazimek.

* cited by examiner

Primary Examiner — Cathy A MacCormac

(74) *Attorney, Agent, or Firm* — Margaret Polson; Oppedahl Patent Law Firm LLC

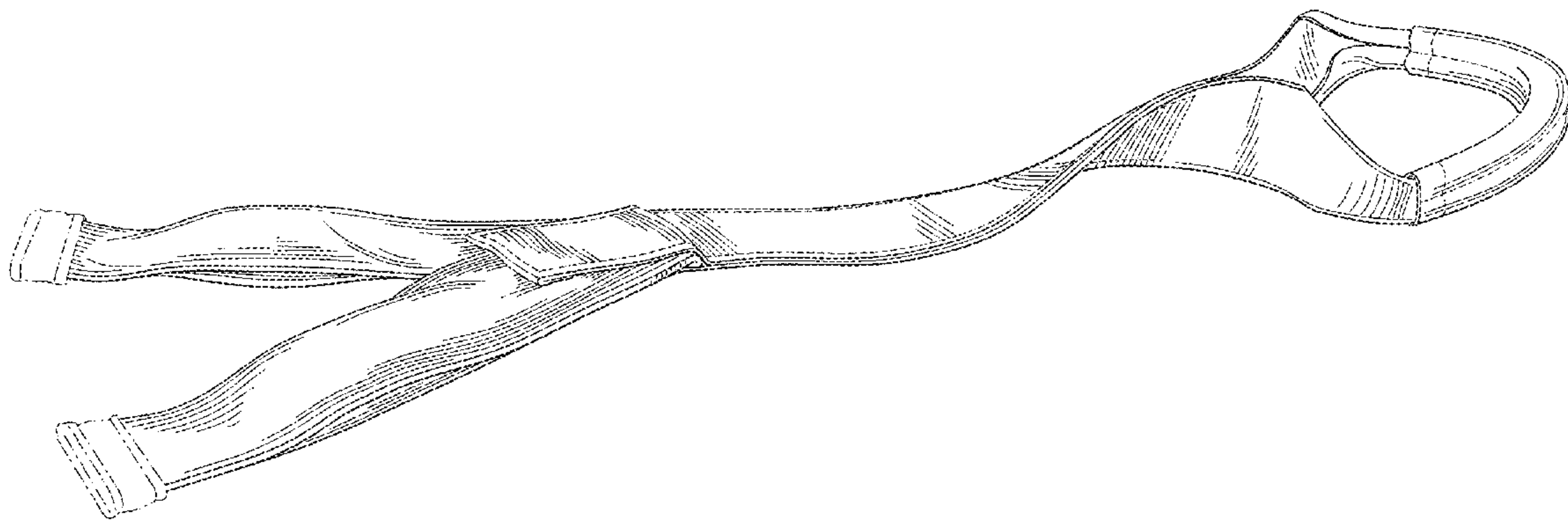
(57) **CLAIM**

The ornamental design for a Y-shaped dog toy, as shown and described.

DESCRIPTION

FIG. 1 is a top plan view of my new design for an Y-shaped dog toy.
FIG. 2 is a left side elevation view of FIG. 1.
FIG. 3 is a right side elevation view of FIG. 1.
FIG. 4 is a front side elevation view of FIG. 1.
FIG. 5 is a rear side elevation view of FIG. 1.
FIG. 6 is a bottom plan view of FIG. 1; and,
FIG. 7 is a top perspective view of FIG. 1.
The evenly spaced broken lines represent stitching. The features shown in dot dashed lines in the drawing depict environmental subject matter only and form no part of the claimed design.

1 Claim, 3 Drawing Sheets



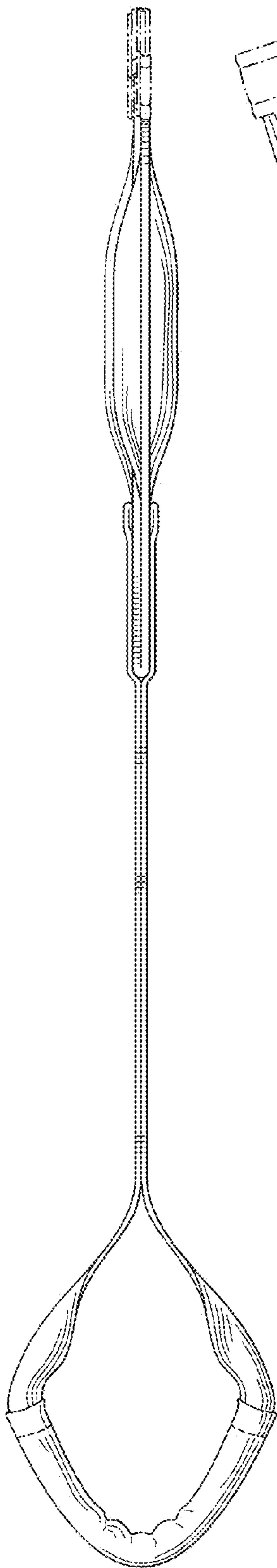


FIG. 2

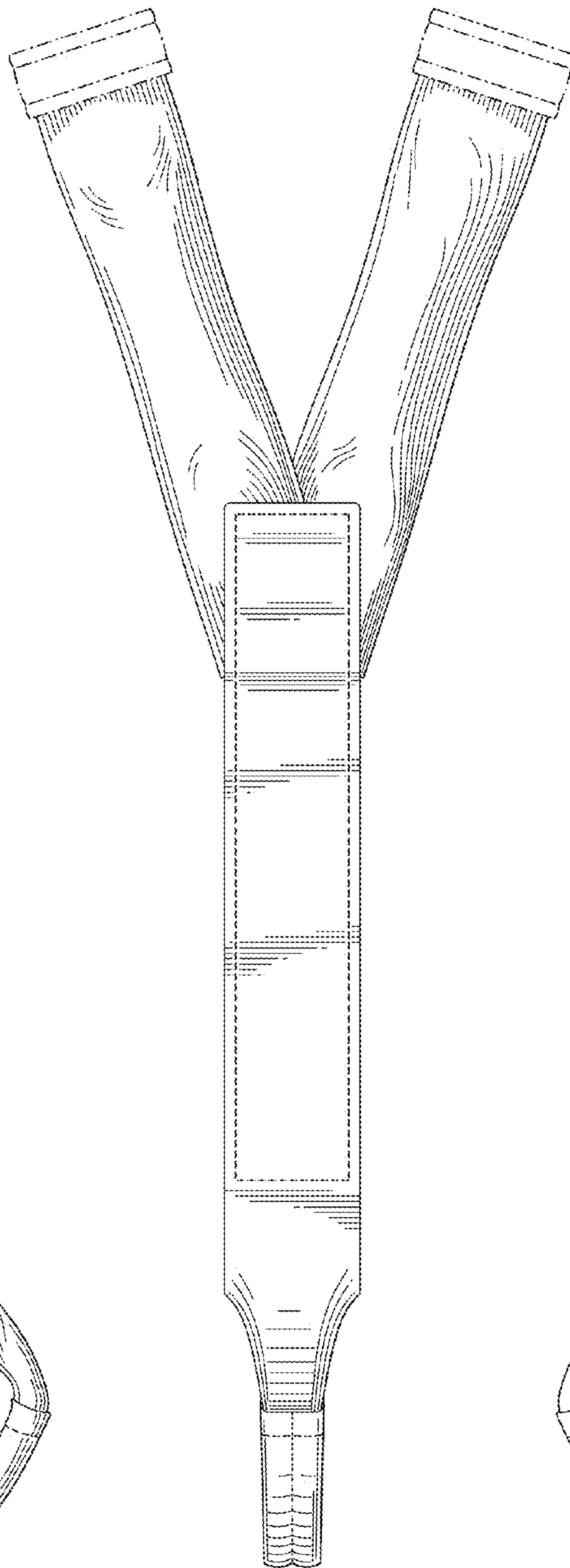


FIG. 1

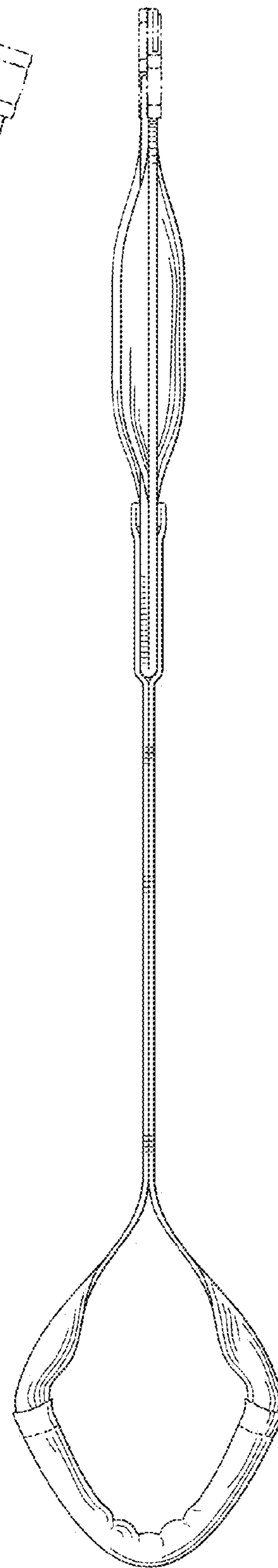


FIG. 3

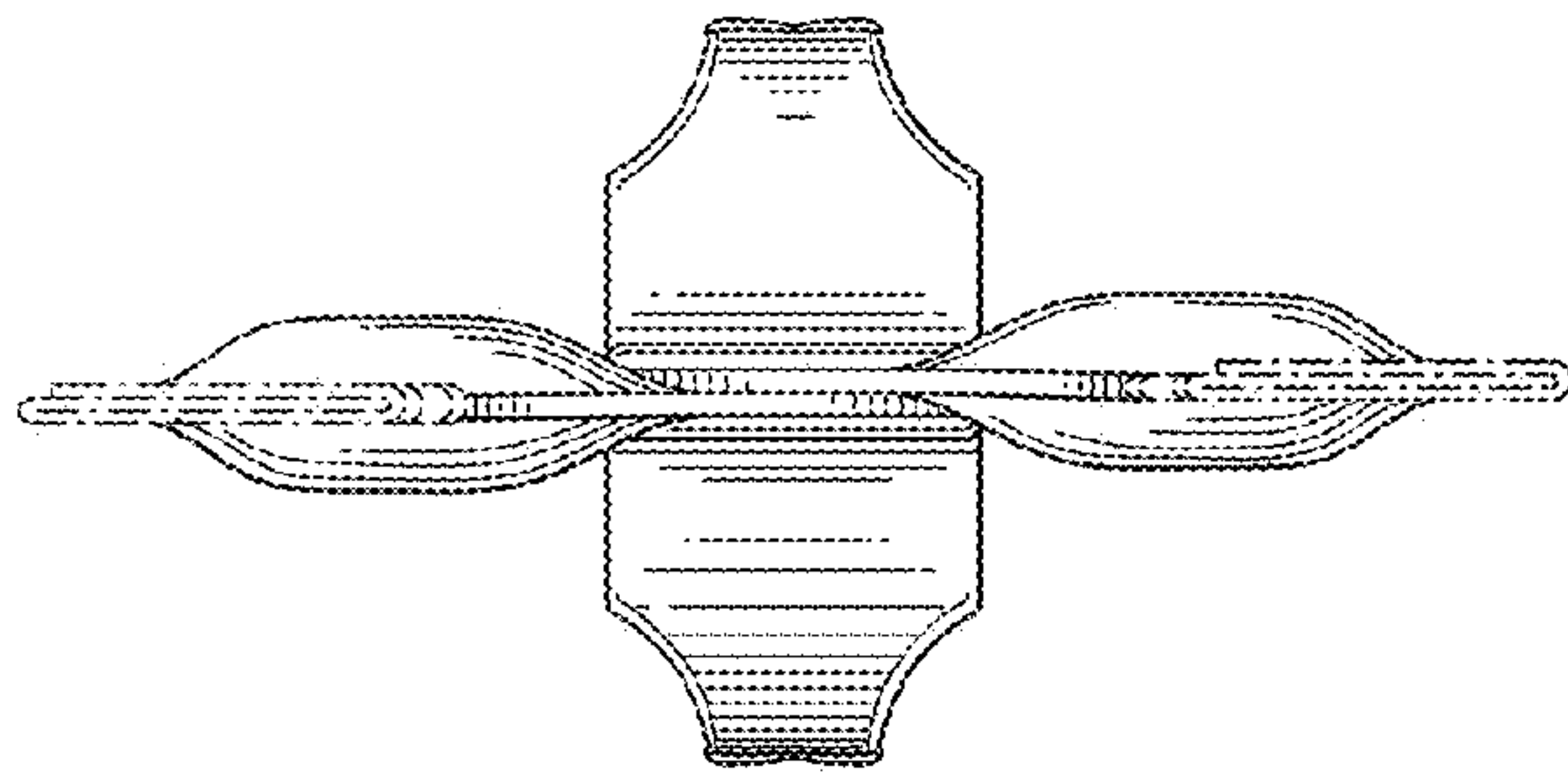


FIG. 4

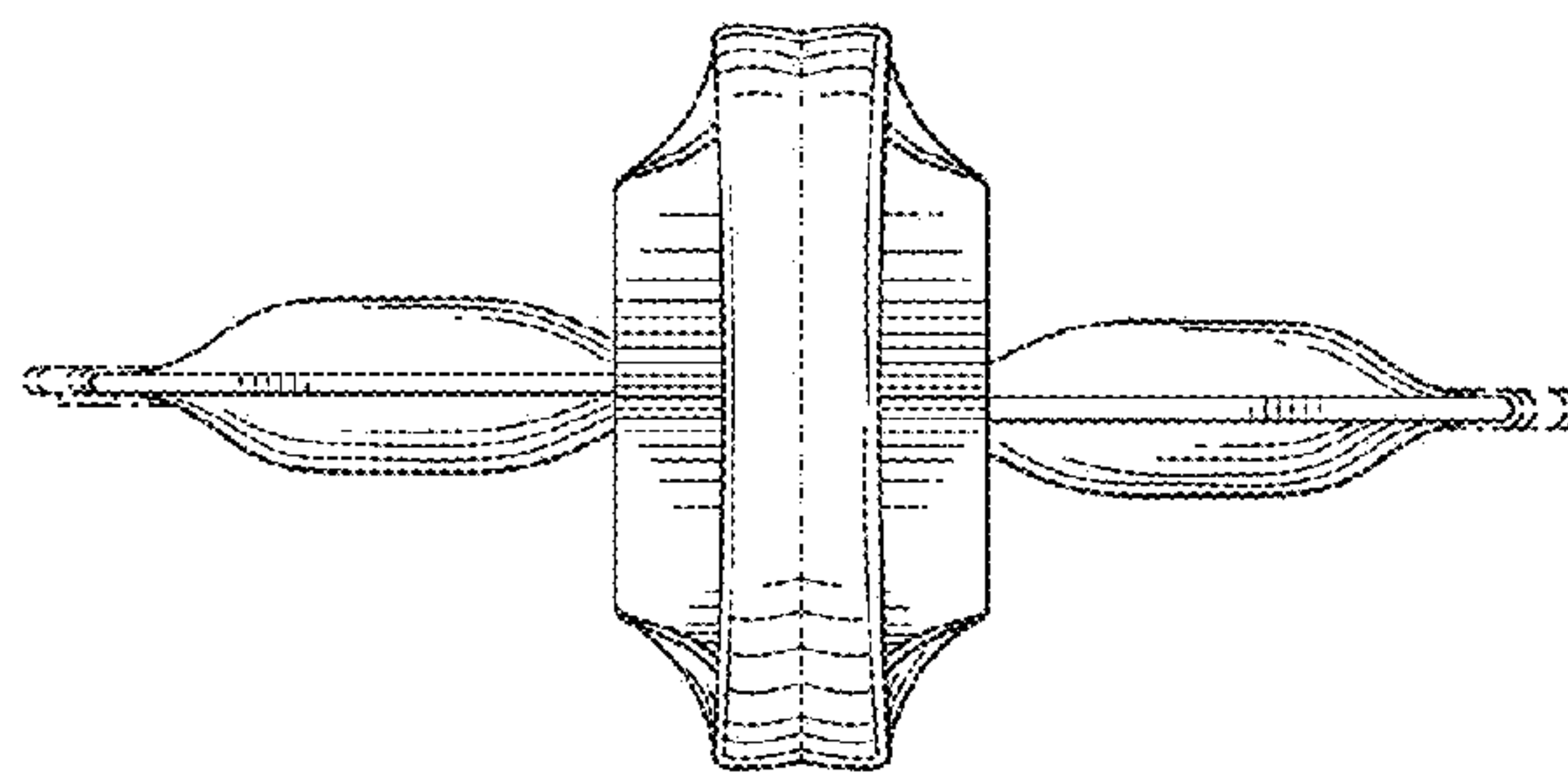


FIG. 5

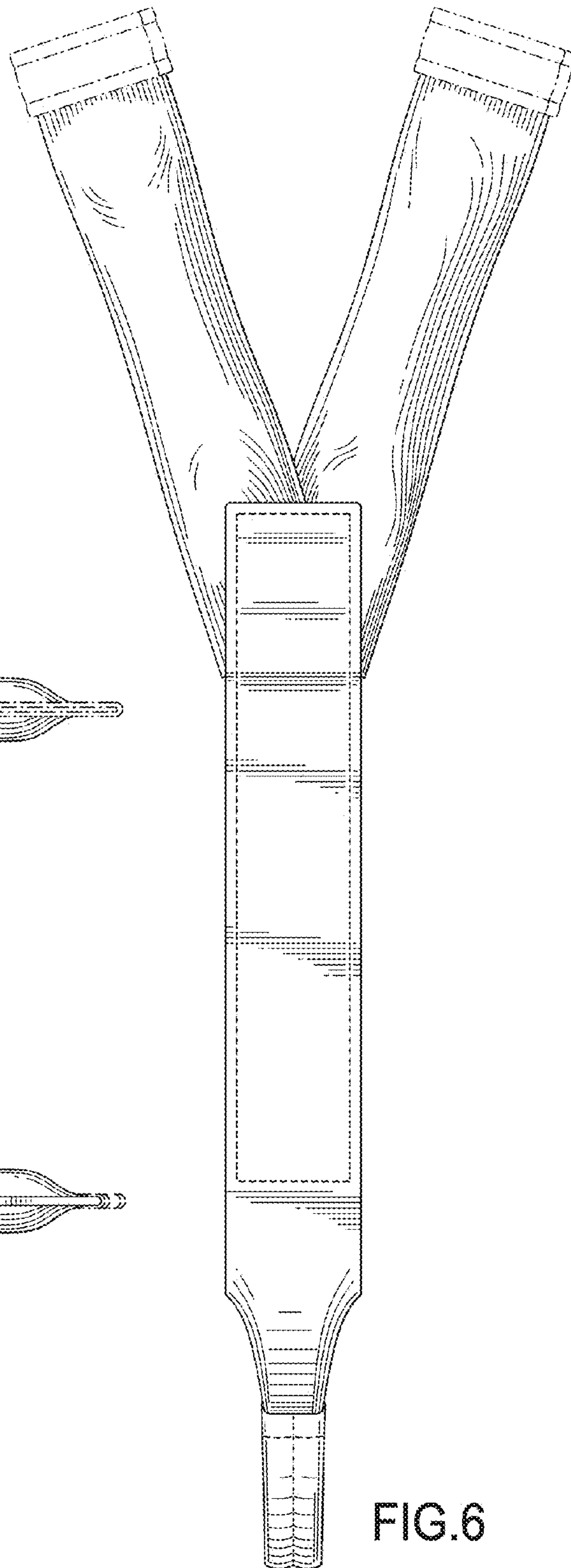


FIG. 6

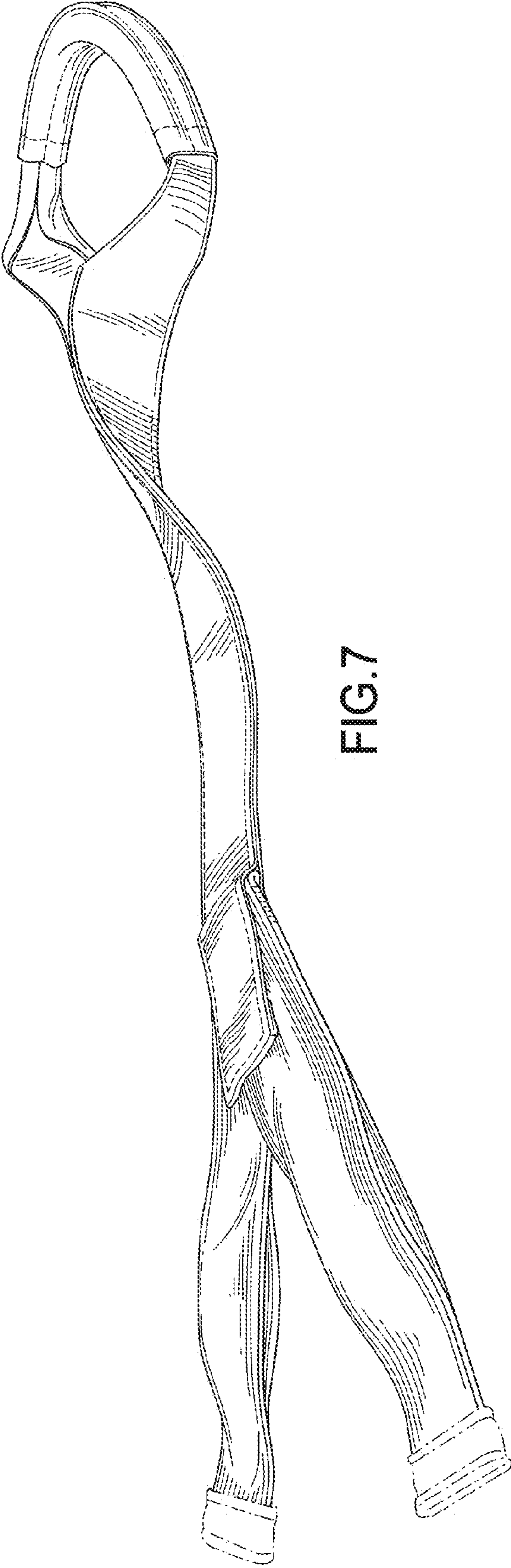


FIG.7