



US00D686373S

(12) **United States Design Patent**  
**Isobe**

(10) **Patent No.:** **US D686,373 S**  
(45) **Date of Patent:** **\*\* Jul. 16, 2013**

(54) **TAB FOR HELMET SHIELD**

(71) Applicant: **Eiji Isobe**, Taito-ku (JP)

(72) Inventor: **Eiji Isobe**, Taito-ku (JP)

(73) Assignee: **Shoei Co., Ltd.**, Tokyo (JP)

(\*\*) Term: **14 Years**

(21) Appl. No.: **29/441,216**

(22) Filed: **Jan. 2, 2013**

(30) **Foreign Application Priority Data**

Aug. 6, 2012 (JP) ..... 2012-018789

(51) **LOC (9) Cl.** ..... **29-02**

(52) **U.S. Cl.**  
USPC ..... **D29/122**

(58) **Field of Classification Search**  
USPC ..... D29/100, 104, 105, 106, 107, 108,  
D29/109, 110, 122; D24/110.1, 110.2, 110.3;  
2/9, 410, 613, 6.4, 6.5, 6.6, 6.7, 6.8, 7, 8.1-8.8,  
2/424, 425, 12, 15, 426, 427, 429, 430, 431,  
2/432, 433, 434, 435, 452, 206, 906, 173;  
128/201.24, 201.15, 857, 858  
See application file for complete search history.

(56) **References Cited**

**U.S. PATENT DOCUMENTS**

D341,230 S *	11/1993	Kamata	.....	D29/107
D376,674 S *	12/1996	Kamata	.....	D29/107
6,405,373 B1 *	6/2002	Grau	.....	2/15
D569,557 S *	5/2008	Cho	.....	D29/122
D611,659 S *	3/2010	Isobe	.....	D29/122
D611,660 S *	3/2010	Isobe	.....	D29/122
D662,261 S *	6/2012	Klotz et al.	.....	D29/109
D667,173 S *	9/2012	Juhlin et al.	.....	D29/122
D669,639 S *	10/2012	Klotz et al.	.....	D29/110

D675,786 S *	2/2013	Klotz et al.	.....	D29/110
D675,788 S *	2/2013	Klotz et al.	.....	D29/110
2008/0141443 A1 *	6/2008	Arai	.....	2/424

\* cited by examiner

*Primary Examiner* — Elizabeth J Oswecki

(74) *Attorney, Agent, or Firm* — Sughrue Mion, PLLC

(57) **CLAIM**

The ornamental design for a tab for helmet shield, as shown and described.

**DESCRIPTION**

FIG. 1 is a front elevational view of a tab for helmet shield showing my new design with the tab attached to the helmet shield, which is shown in broken lines;

FIG. 2 is a rear view thereof;

FIG. 3 is a left side view thereof;

FIG. 4 is a right side view thereof;

FIG. 5 is a top plan view thereof;

FIG. 6 is a bottom plan view thereof;

FIG. 7 is an enlarged front perspective view thereof;

FIG. 8 is an enlarged rear perspective view thereof;

FIG. 9 is an enlarged left side view thereof;

FIG. 10 is an enlarged right side view thereof;

FIG. 11 is an enlarged top plan view thereof;

FIG. 12 is an enlarged bottom plan view thereof;

FIG. 13 is a larger enlarged left front perspective view thereof;

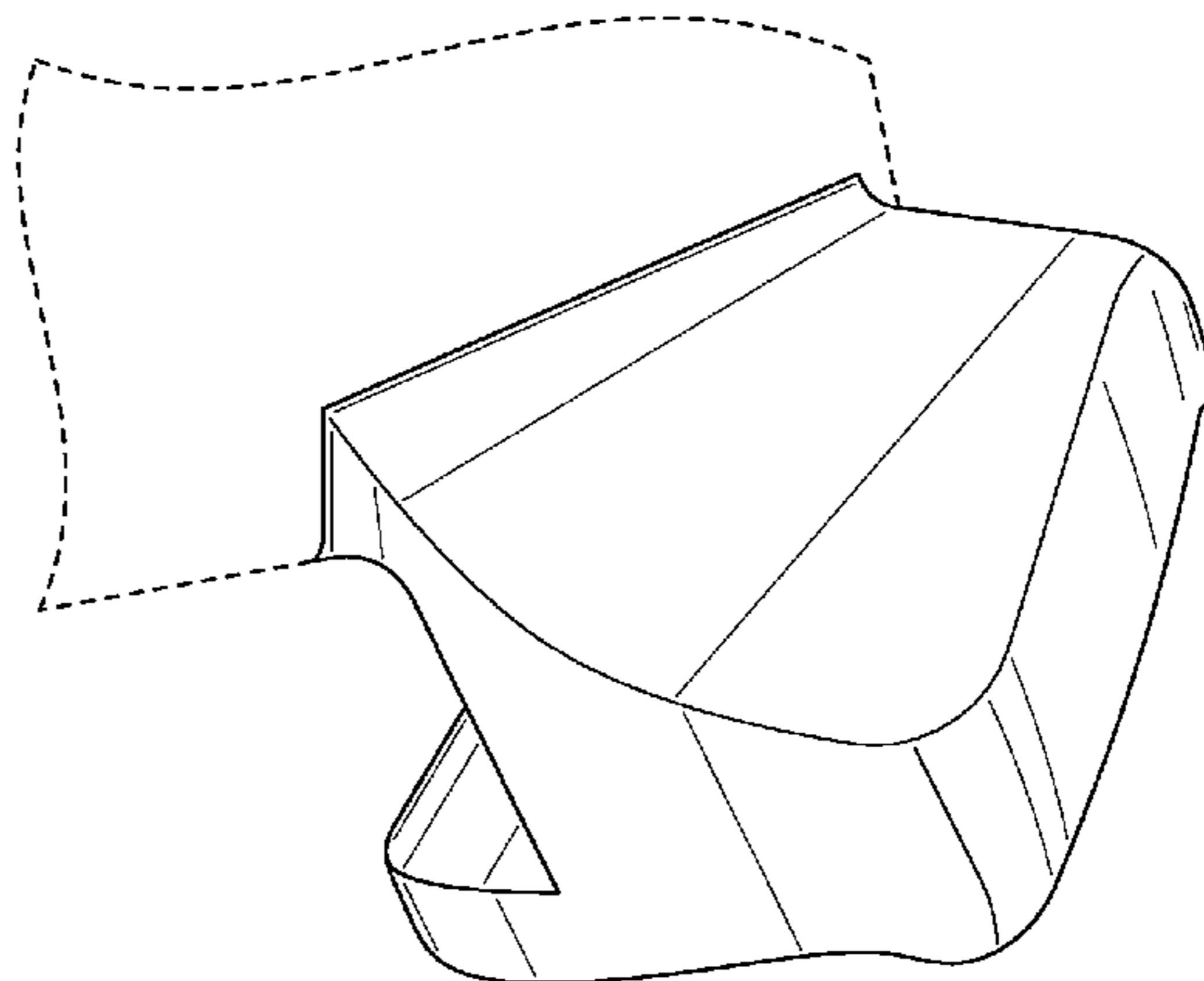
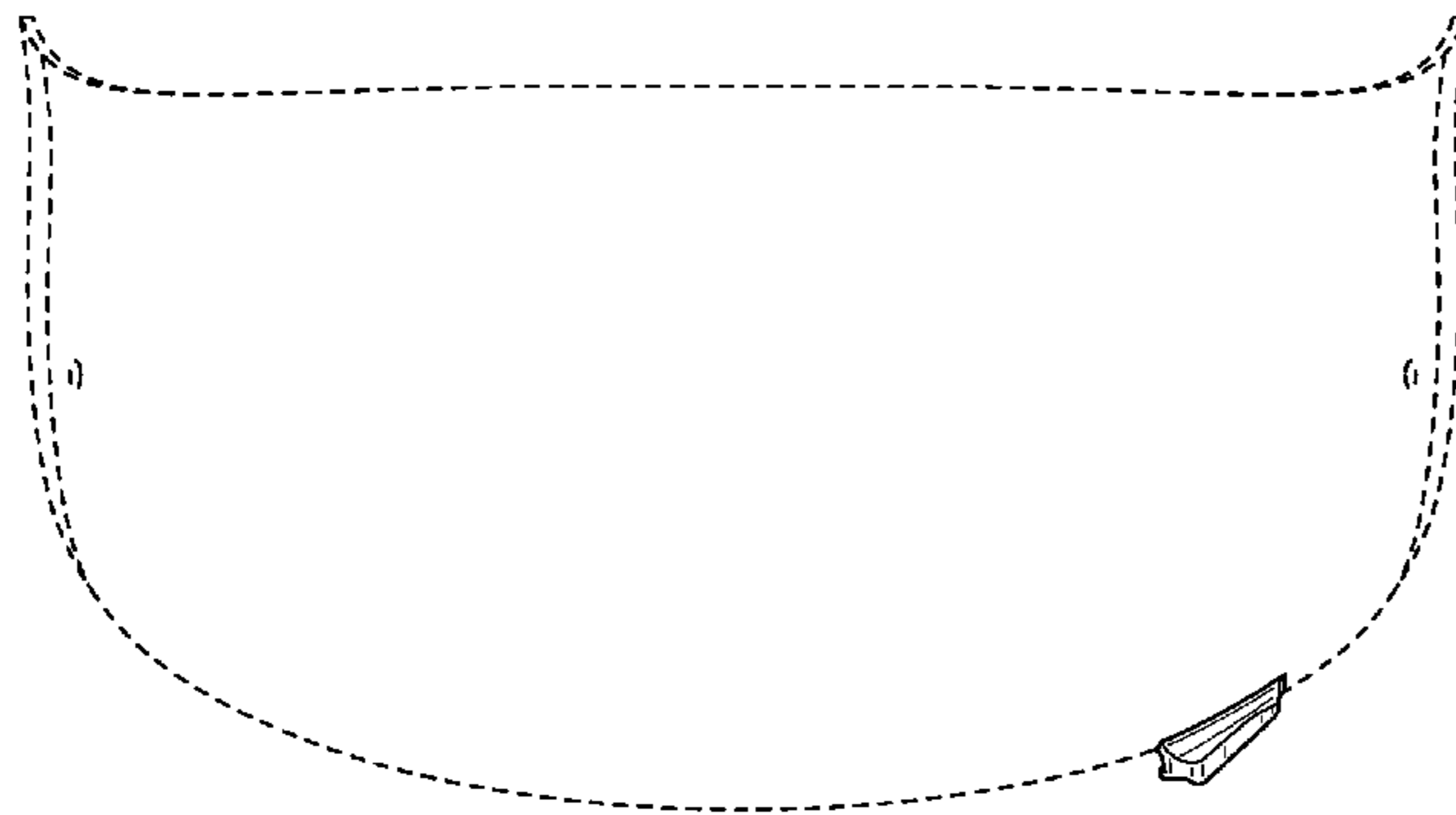
FIG. 14 is a larger enlarged bottom perspective view thereof;

FIG. 15 is a larger enlarged top perspective view thereof; and,

FIG. 16 is a left side view of a tab for helmet shield, as shown in FIG. 1, with the tab attached to a helmet shield that is attached to a helmet, the helmet shield and helmet are shown in broken lines.

The broken lines shown in the drawings represent portions of the tab for helmet shield that form no part of the claimed design.

**1 Claim, 8 Drawing Sheets**



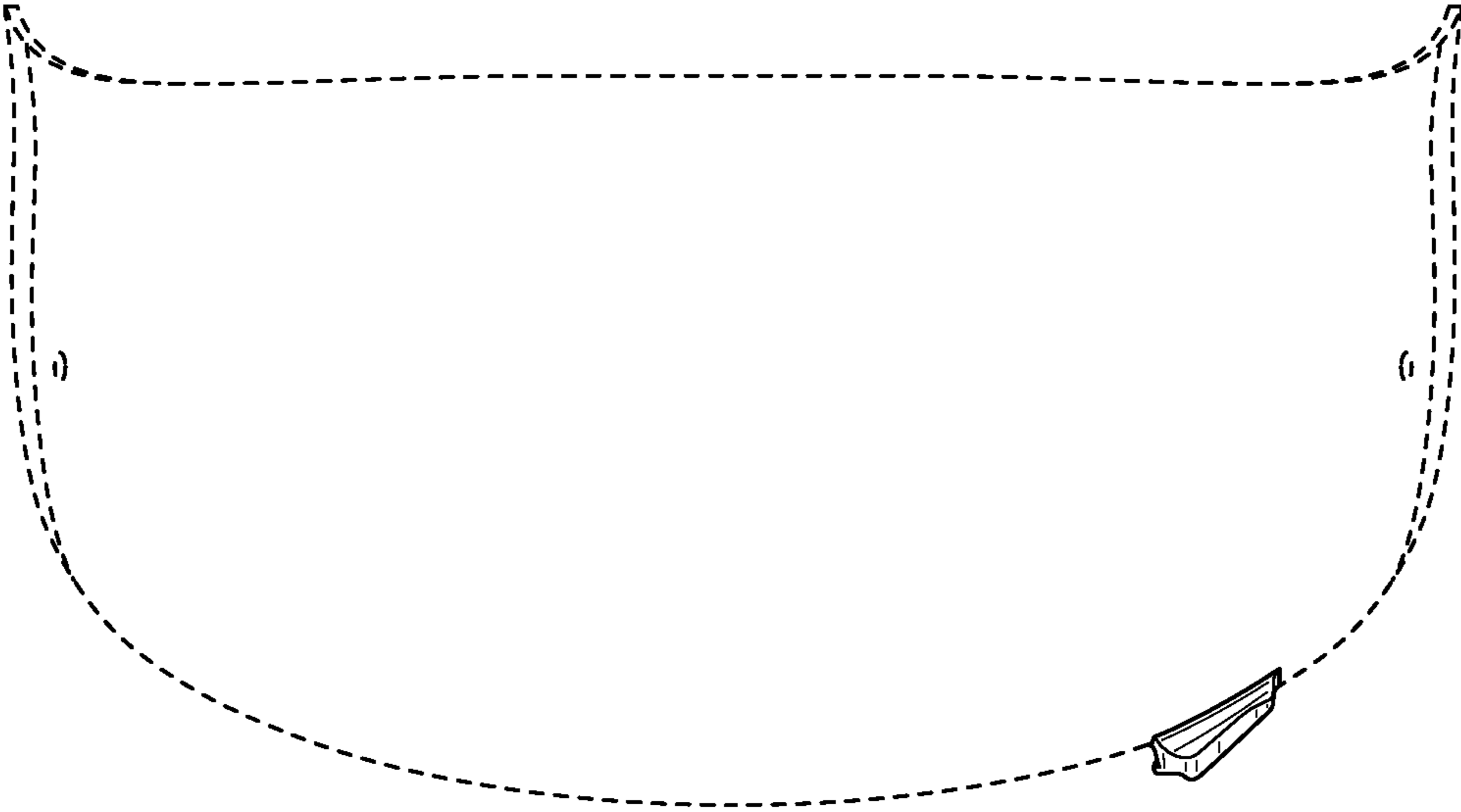


FIG. 1

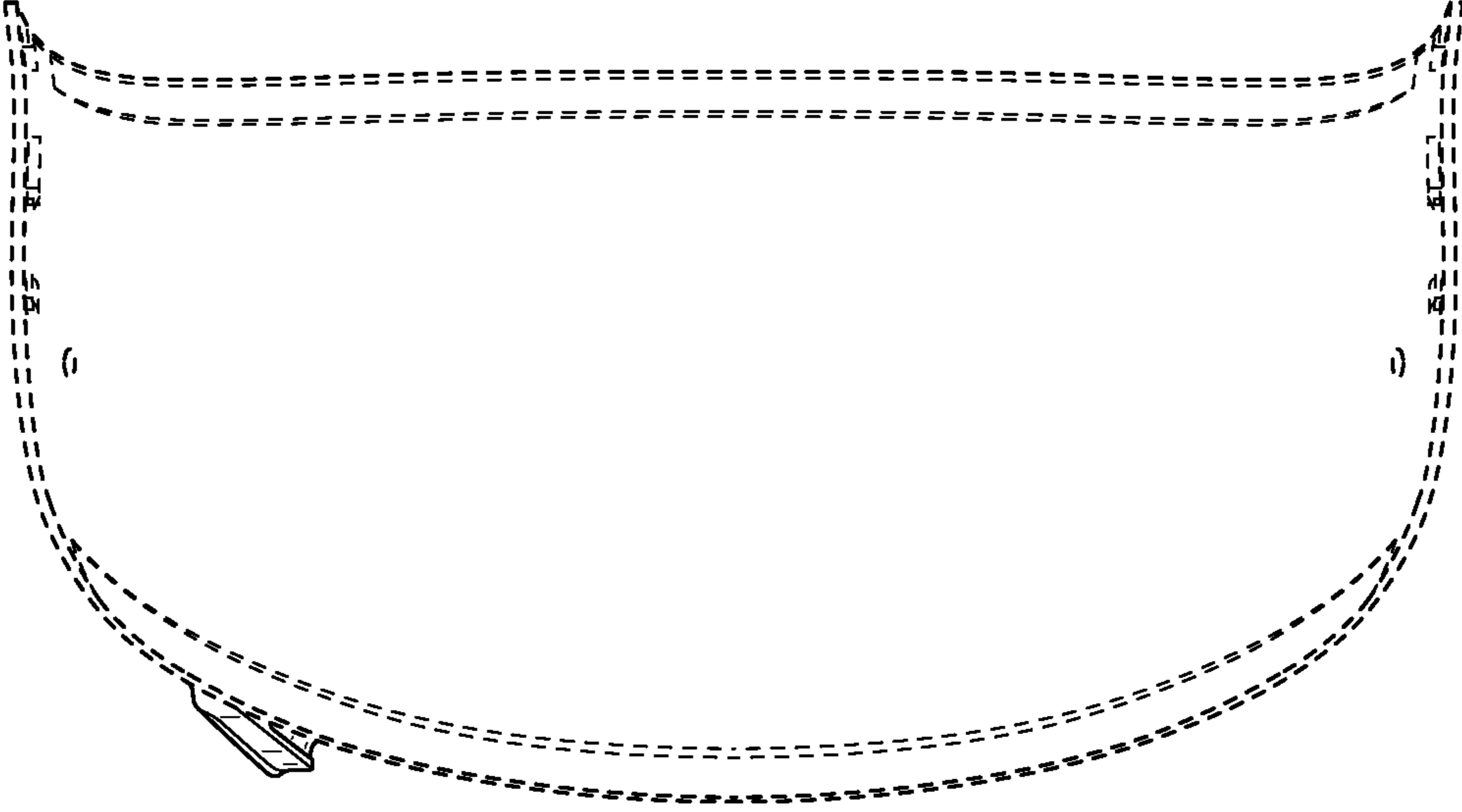


FIG. 2

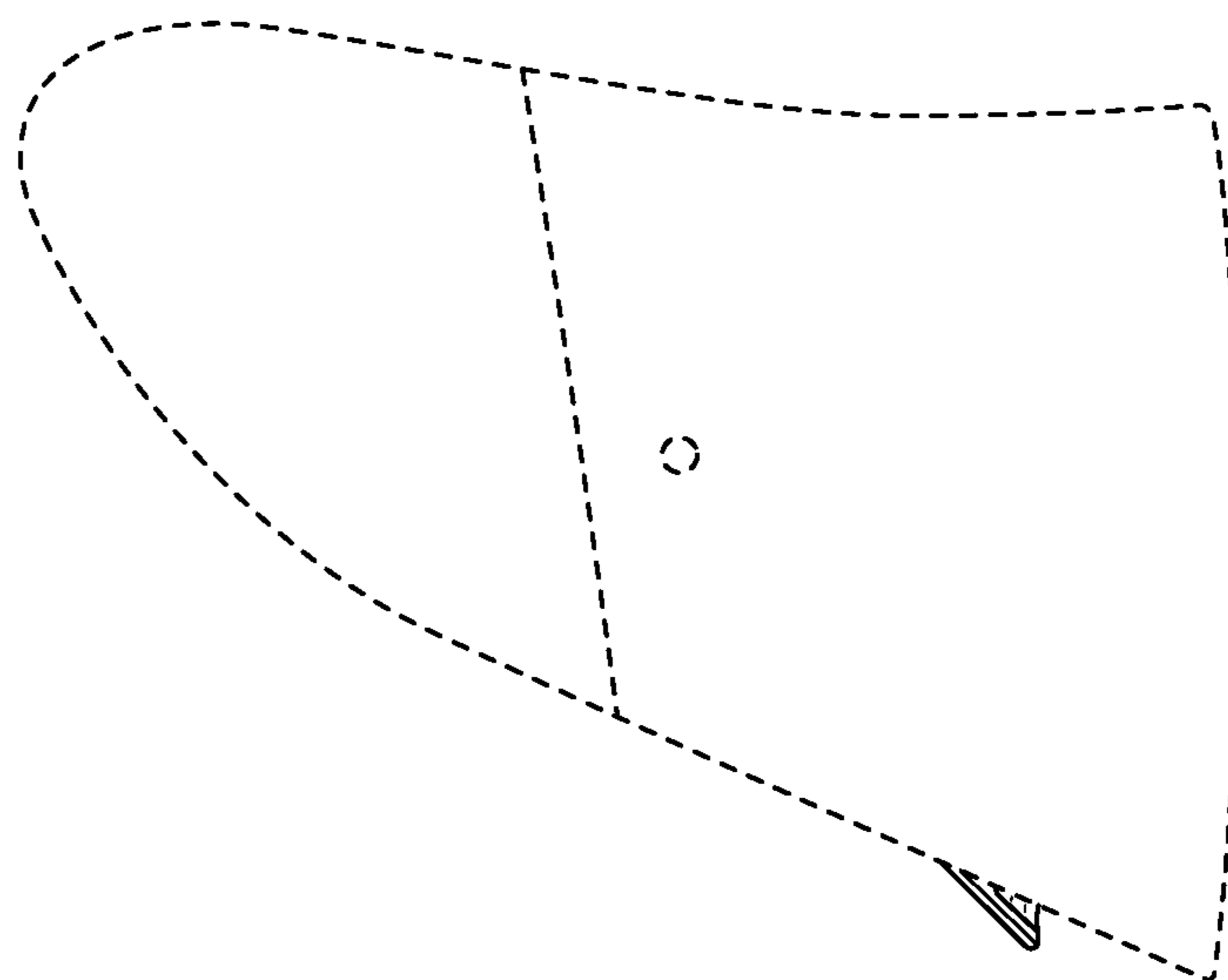


FIG. 3

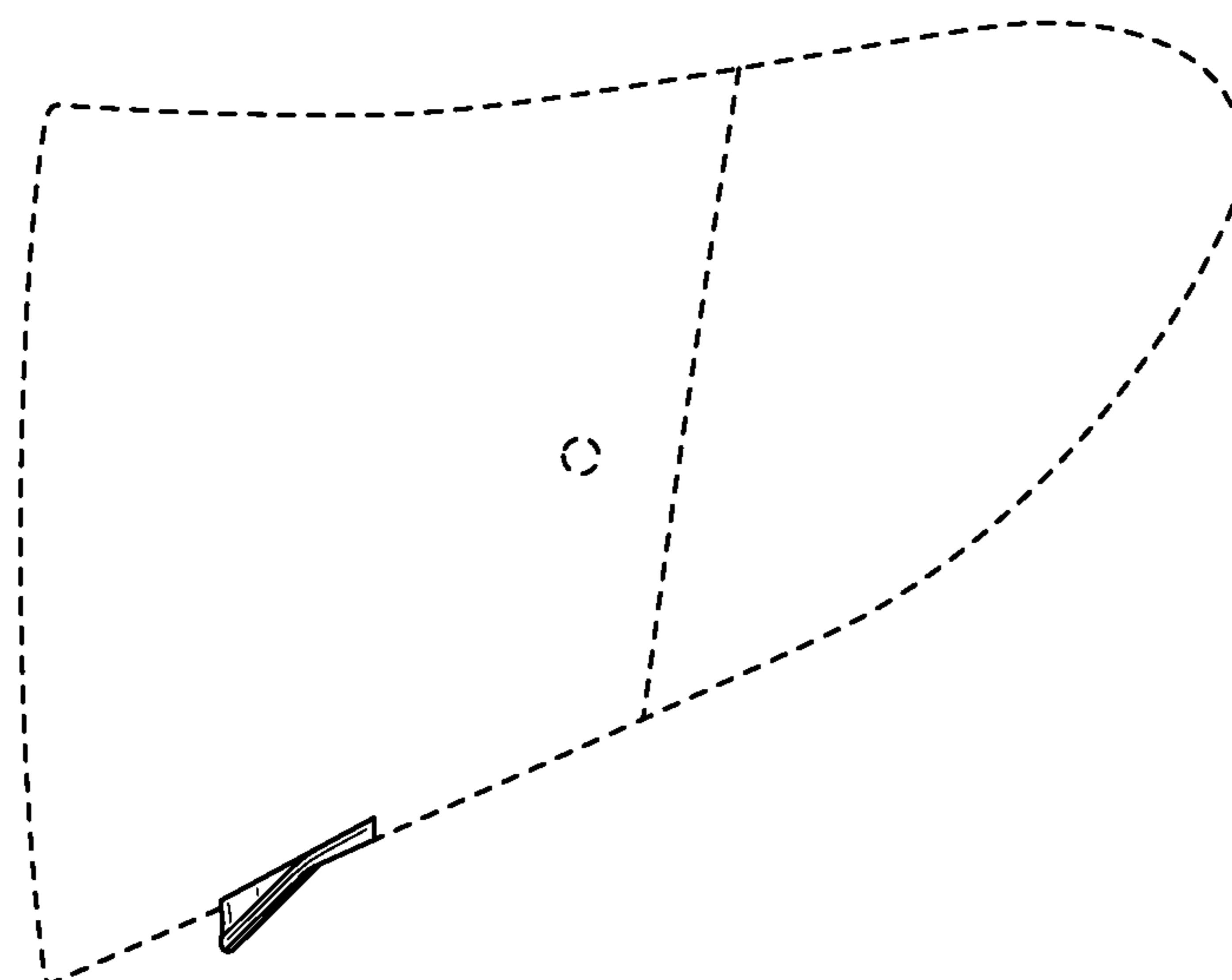


FIG. 4

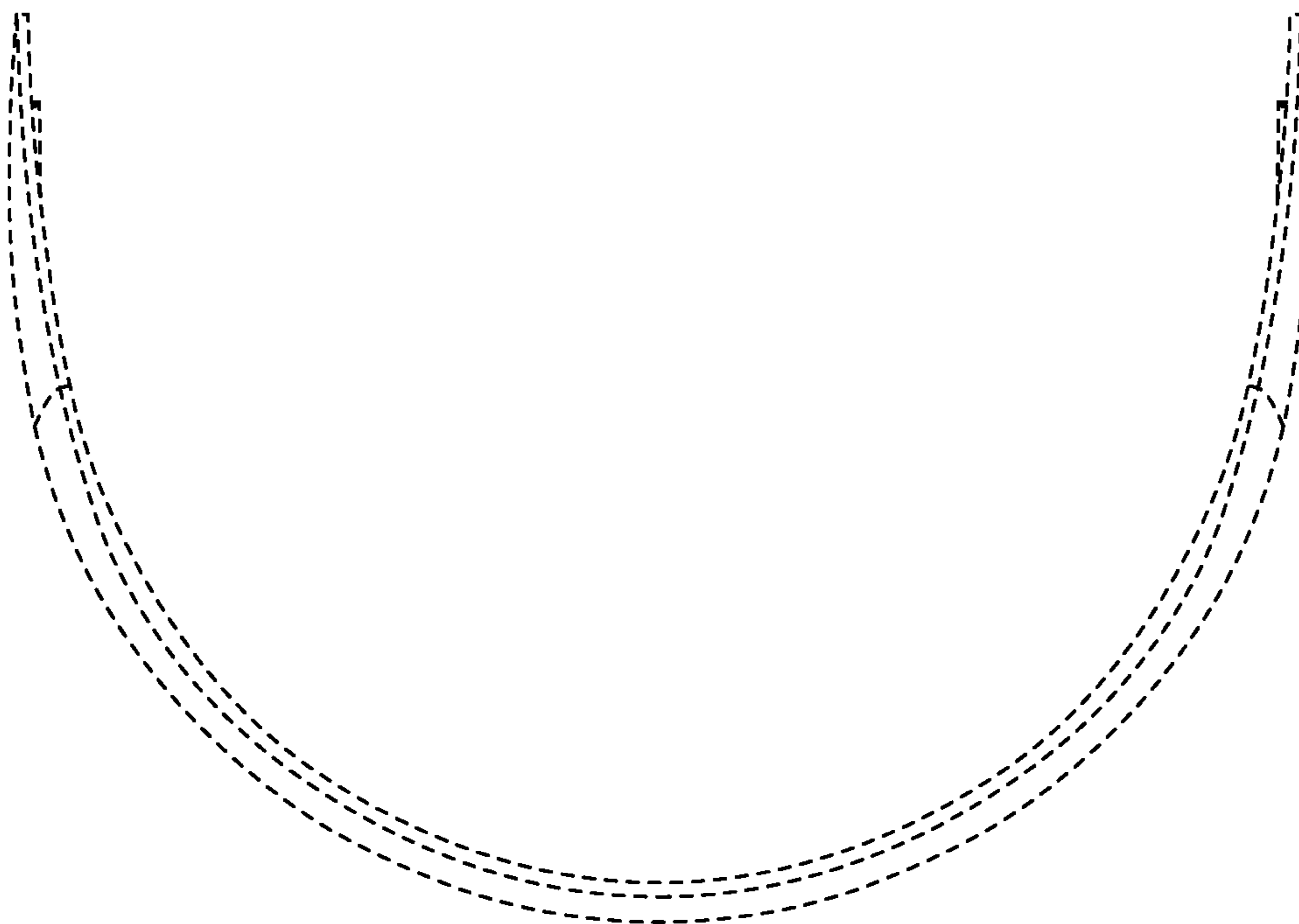


FIG. 5

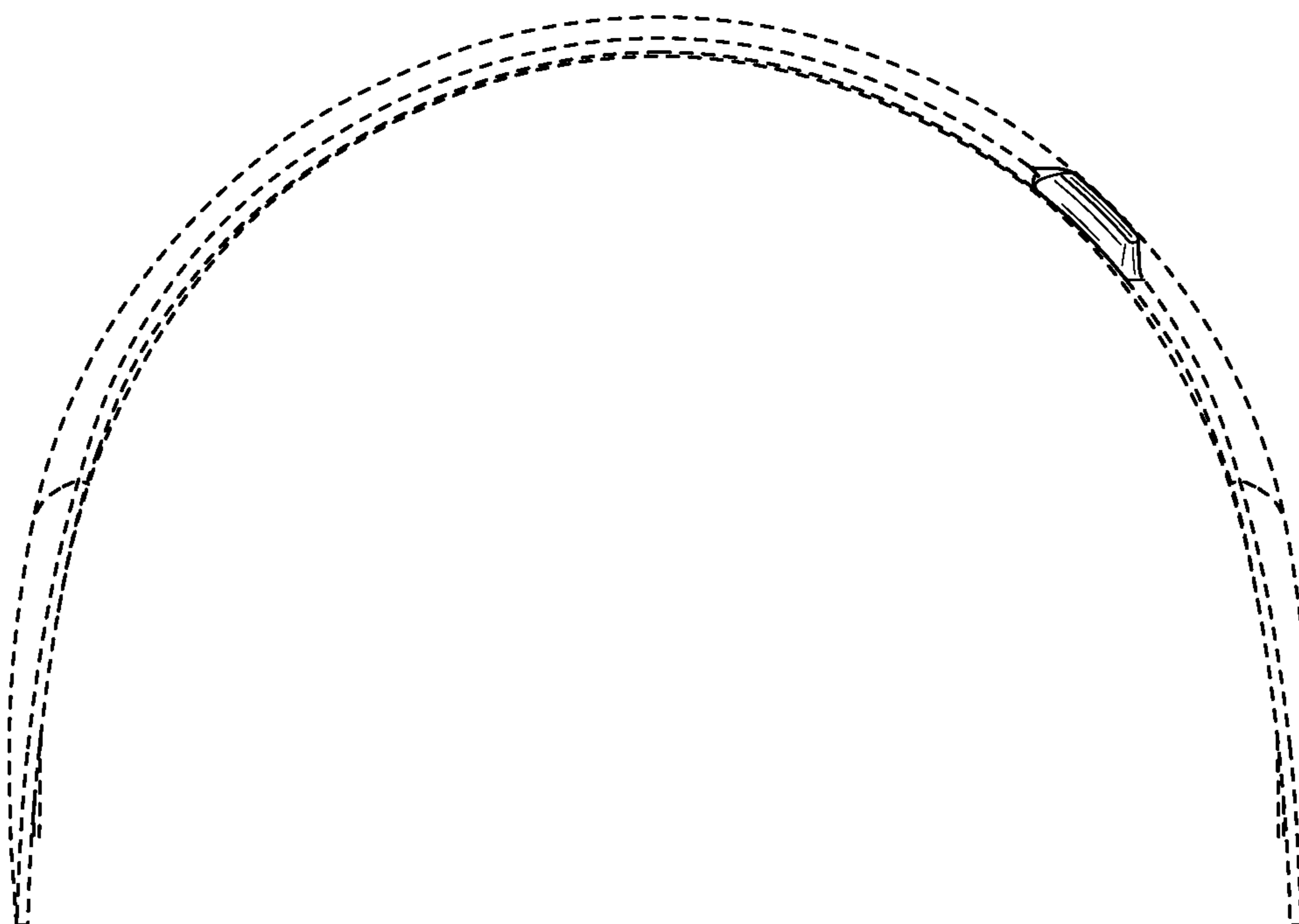


FIG. 6

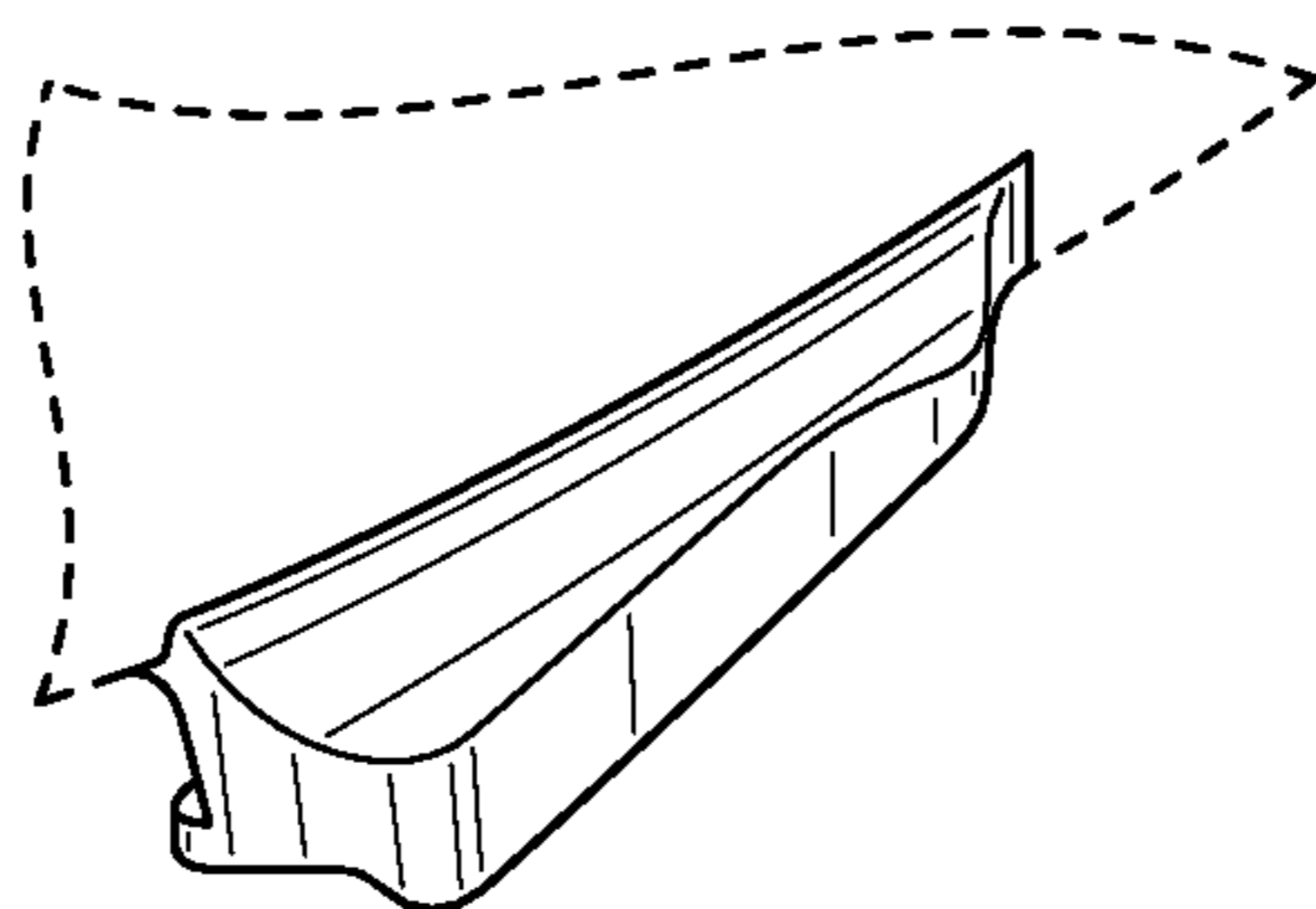


FIG. 7

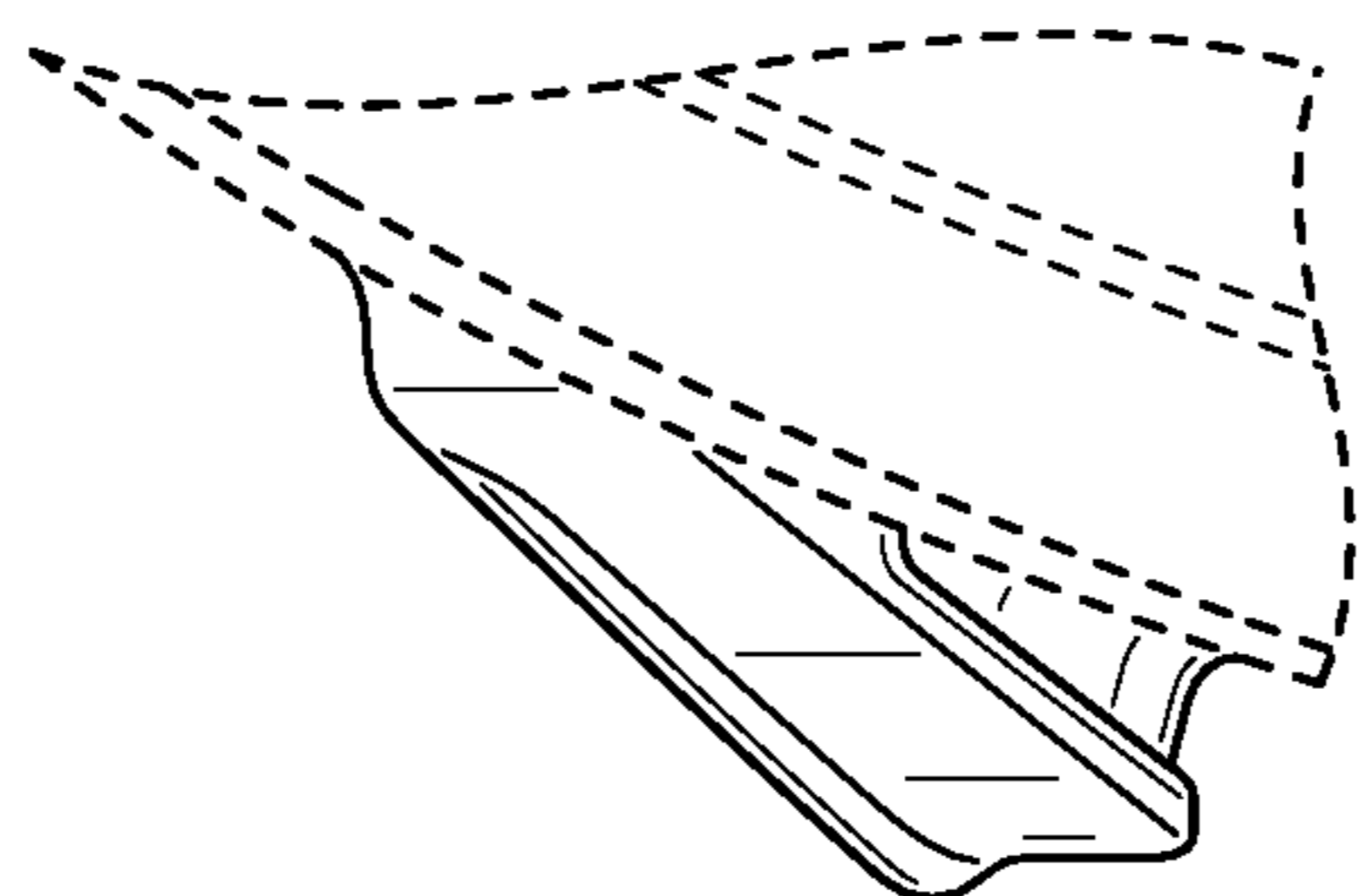


FIG. 8

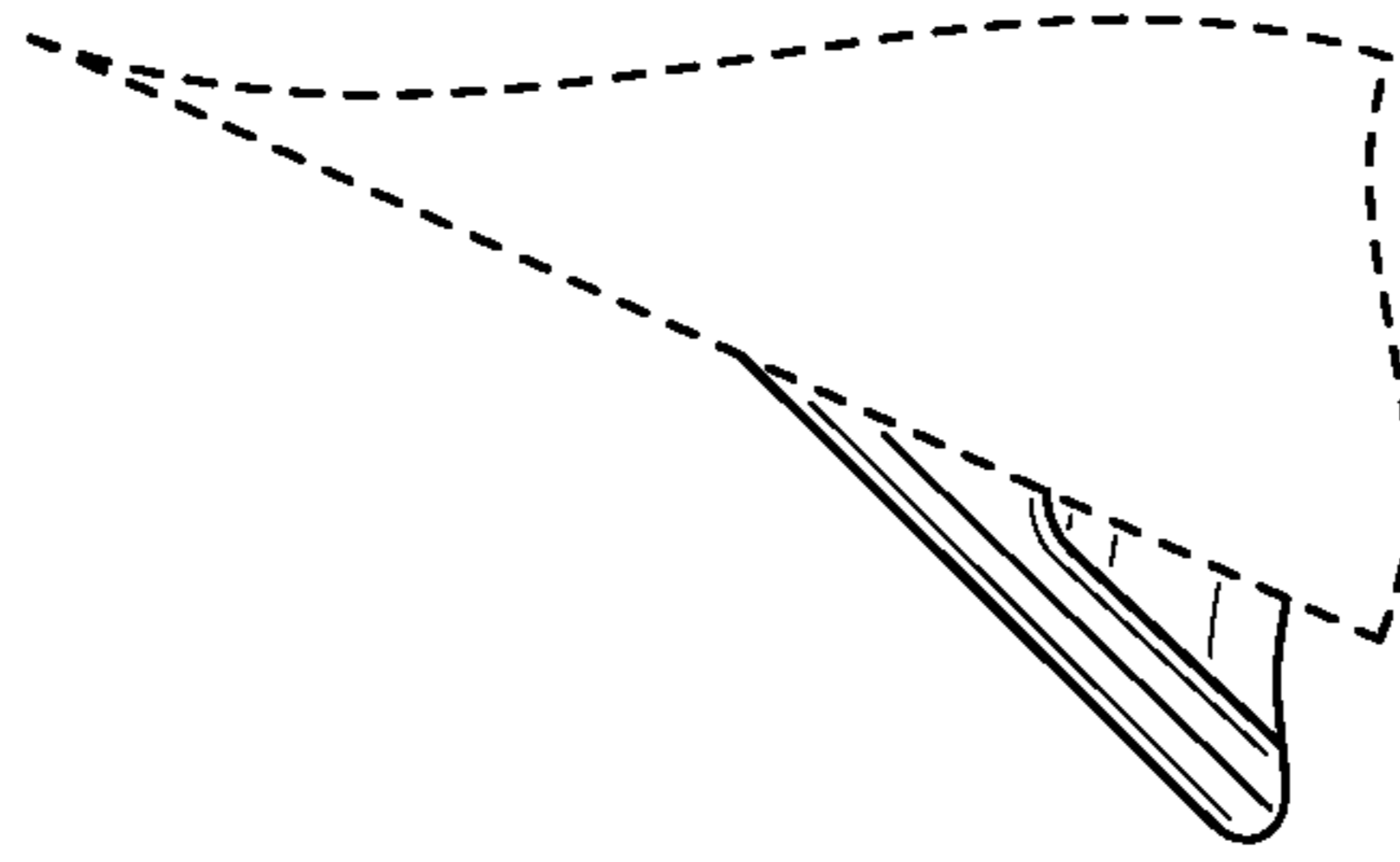


FIG. 9

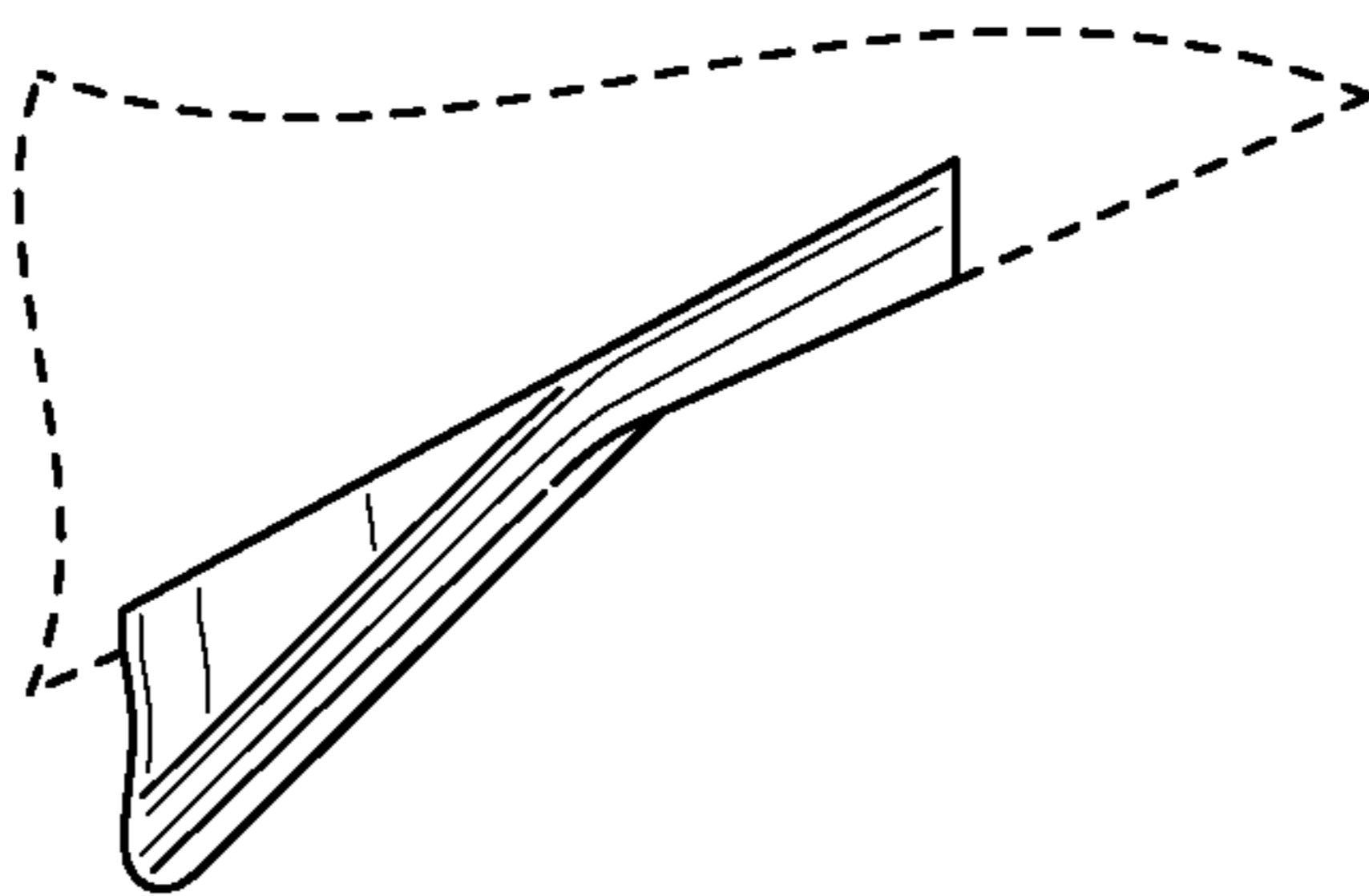


FIG. 10

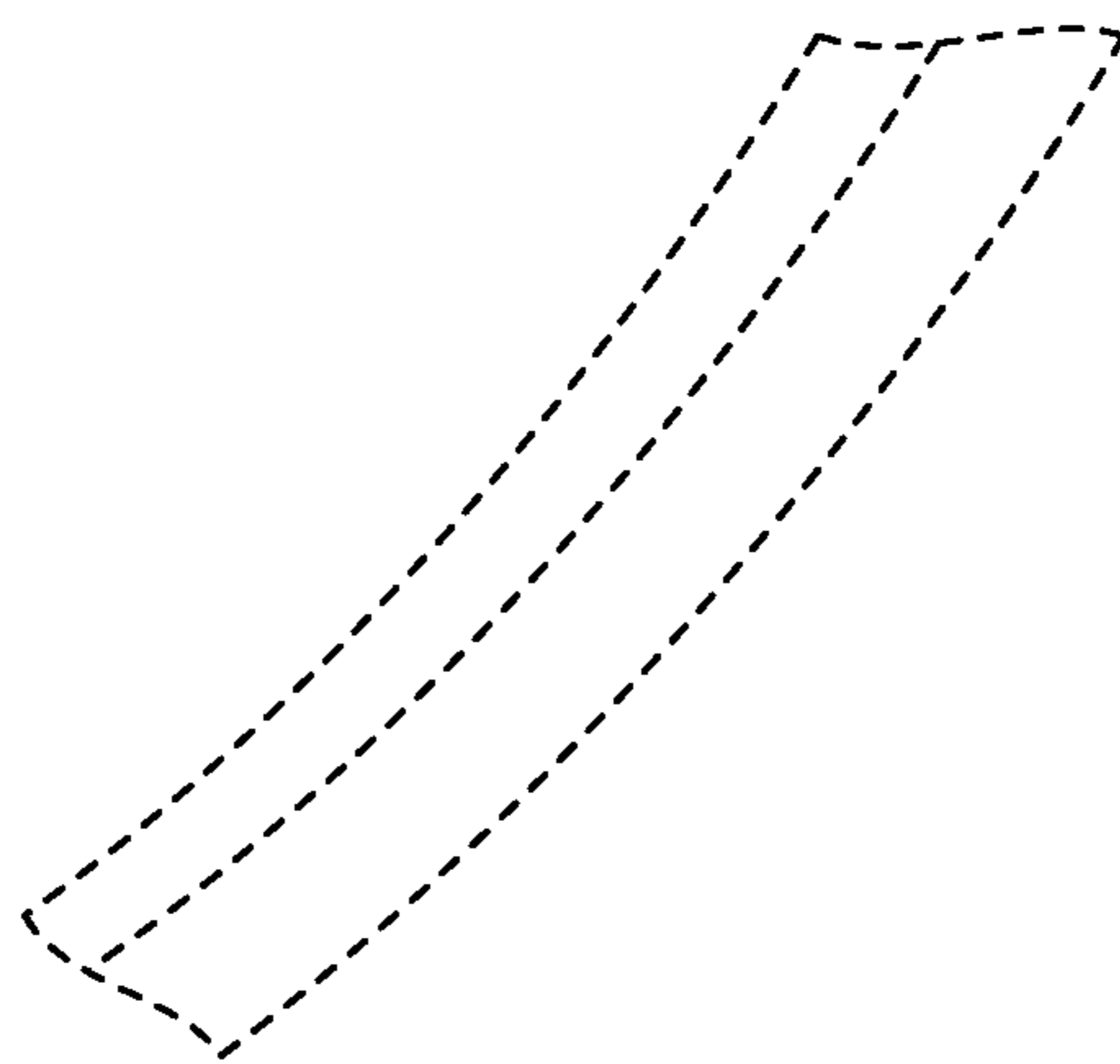


FIG. 11

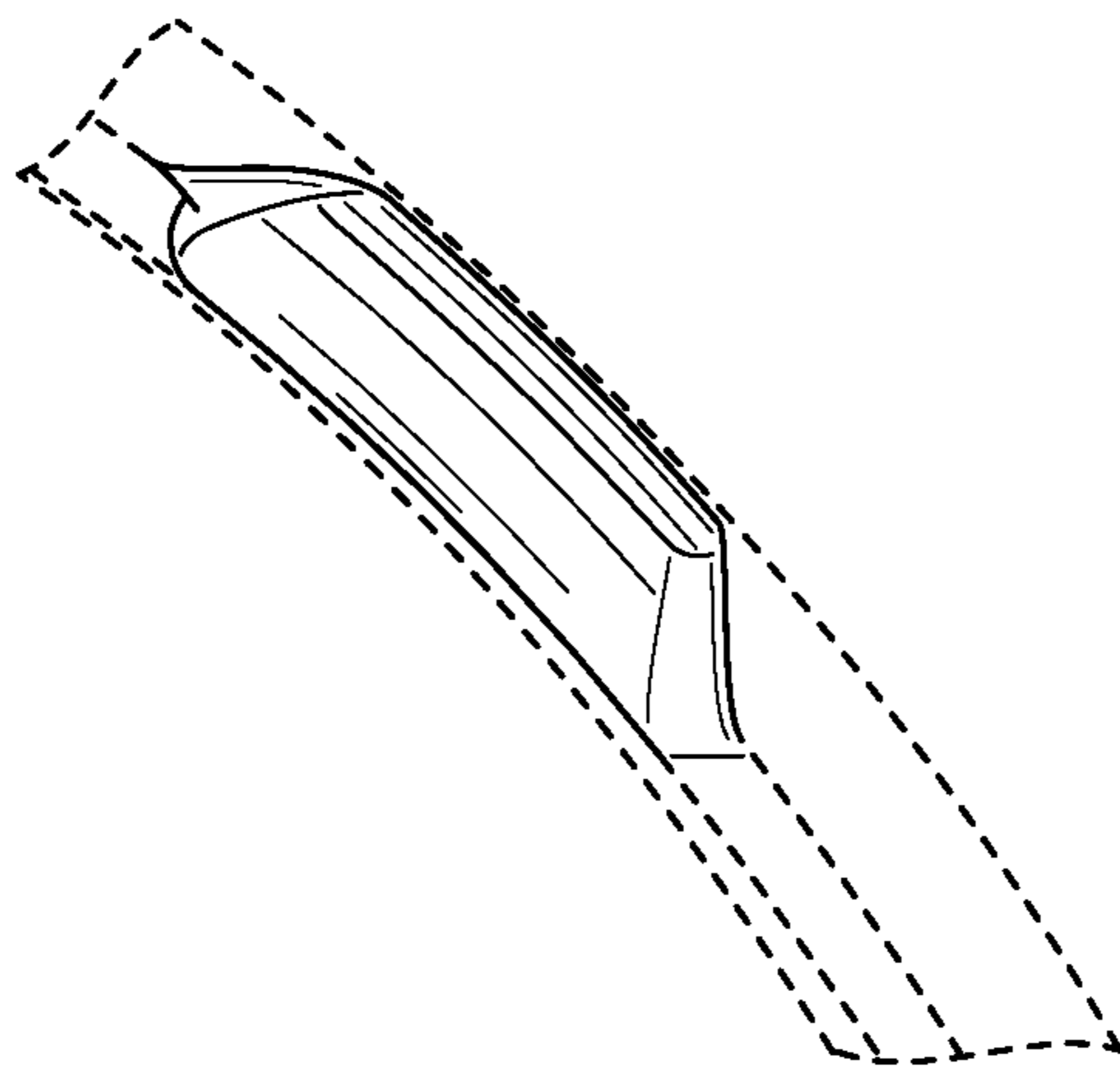


FIG. 12

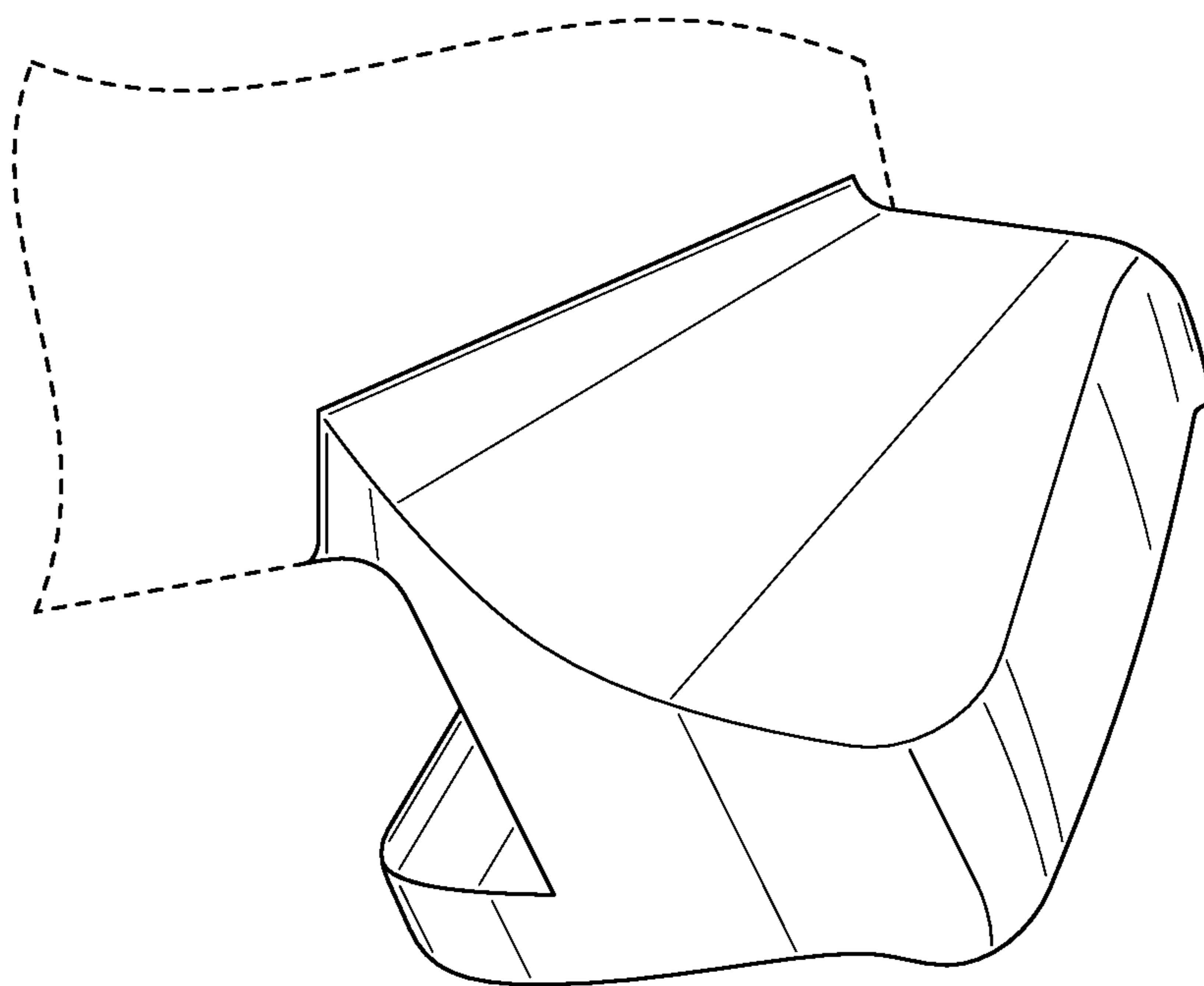


FIG. 13

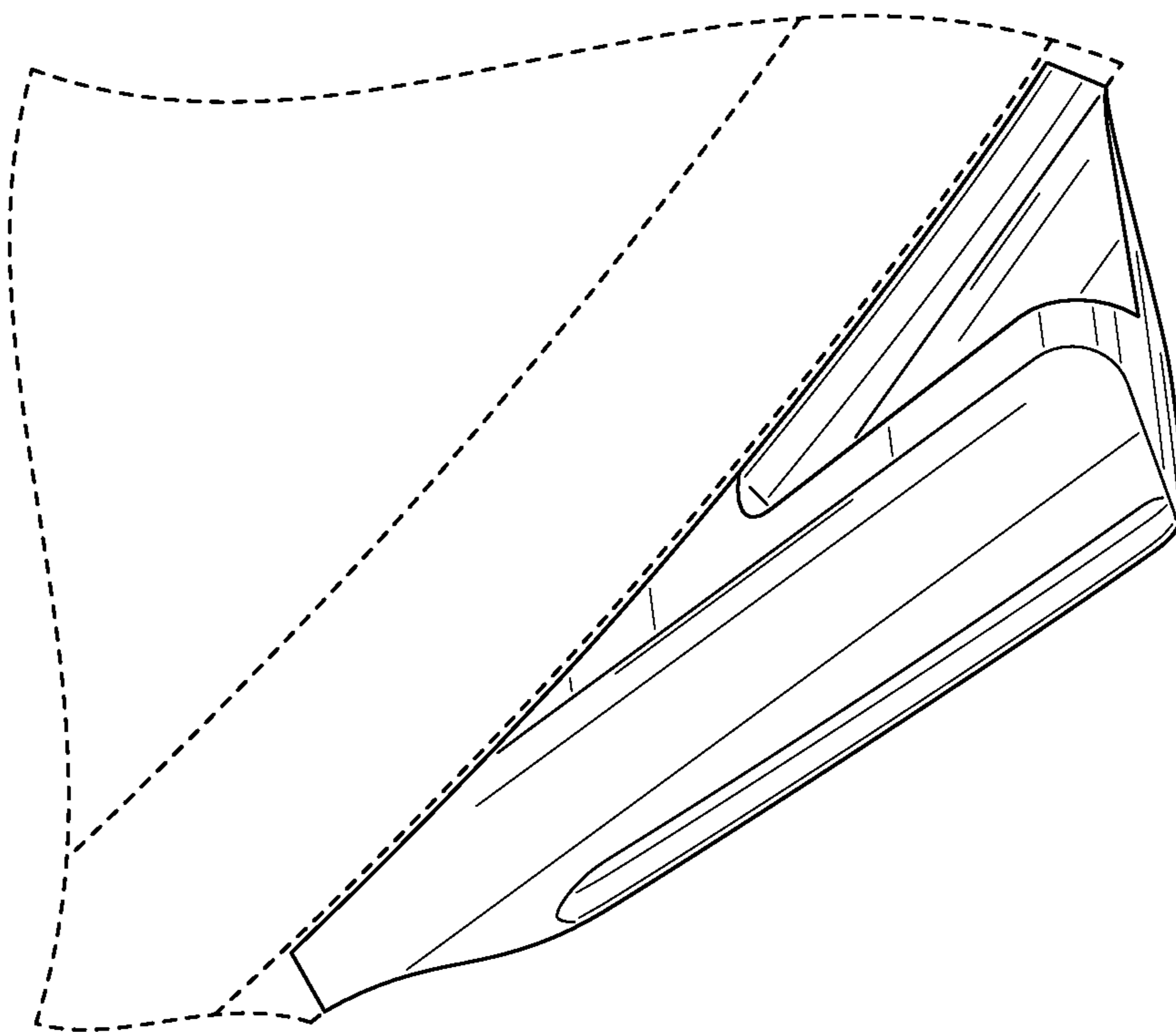


FIG. 14



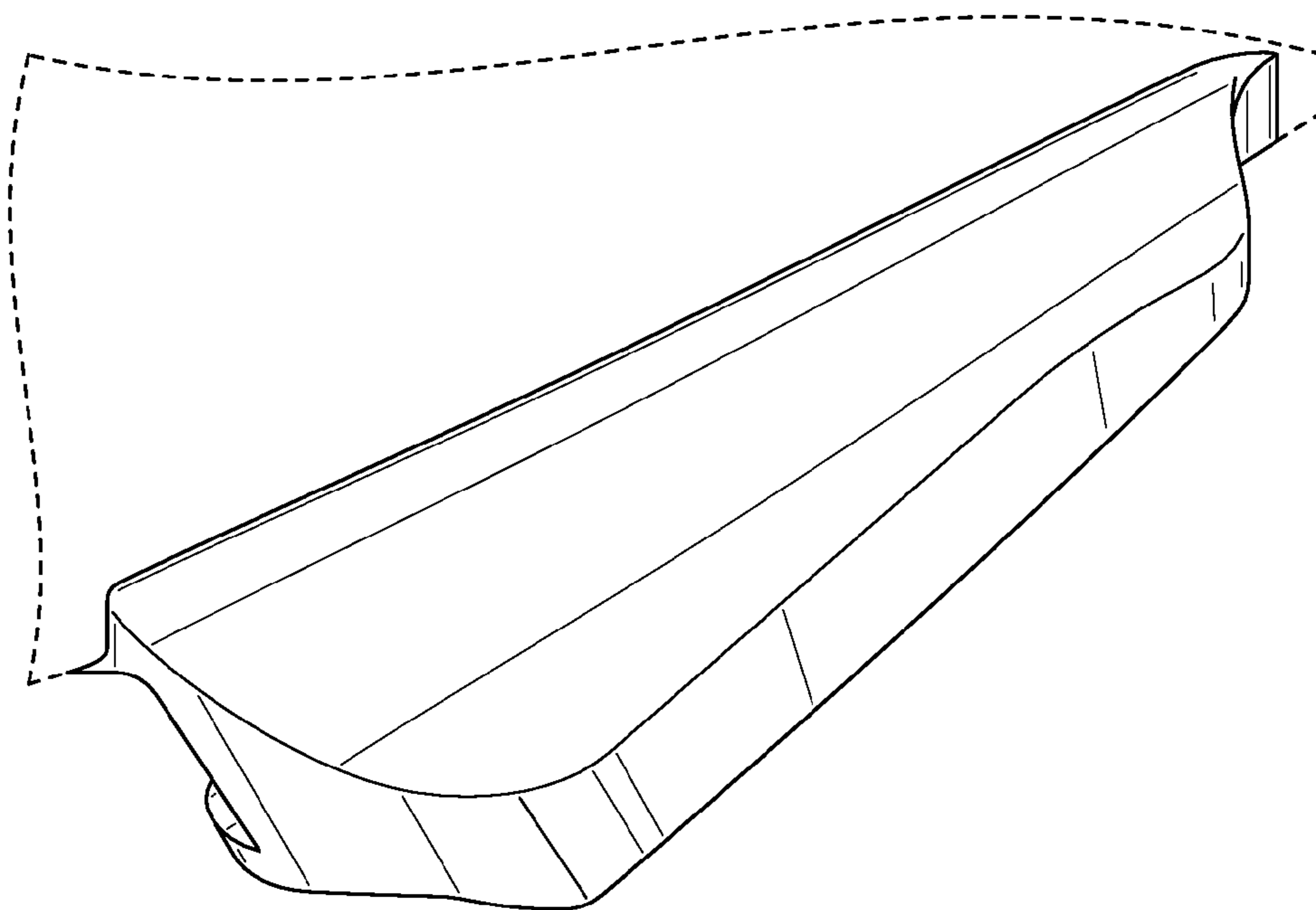


FIG. 15

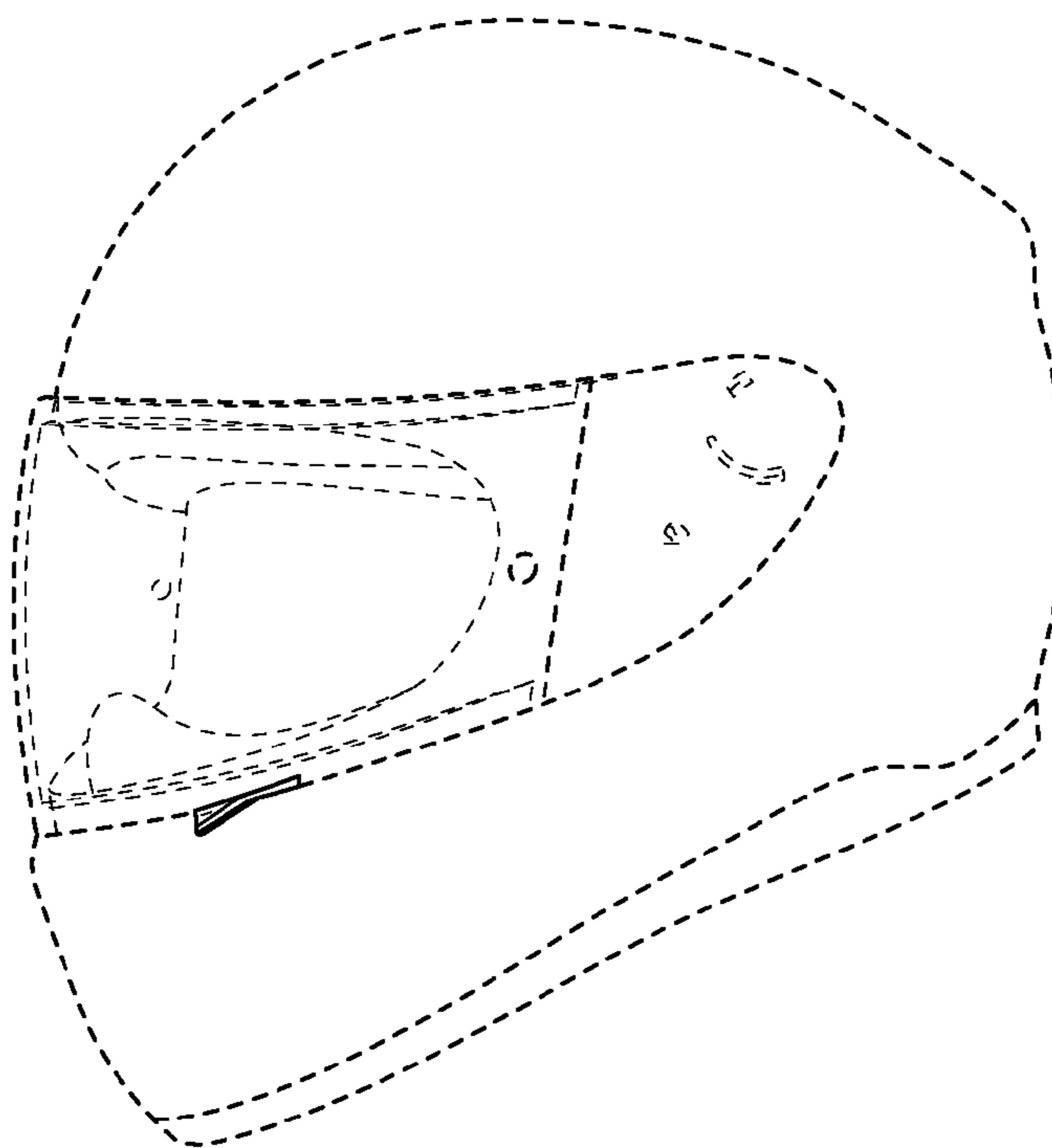


FIG. 16