



US00D686369S

(12) **United States Design Patent**
Horvath et al.

(10) **Patent No.:** **US D686,369 S**
(45) **Date of Patent:** **** Jul. 16, 2013**

(54) **NAIL LAMP**

(56) **References Cited**

(71) Applicant: **O P I Products, Inc.**, North Hollywood,
CA (US)

(72) Inventors: **Gavril Horvath**, Tarzana, CA (US);
George Schaeffer, North Hollywood,
CA (US)

(73) Assignee: **O P I Products, Inc.**, North Hollywood,
CA (US)

(**) Term: **14 Years**

(21) Appl. No.: **29/434,331**

(22) Filed: **Oct. 11, 2012**

(51) **LOC (9) Cl.** **28-03**

(52) **U.S. Cl.**
USPC **D28/58; D28/54.1**

(58) **Field of Classification Search**
USPC . D28/54.1, 56-58; 250/492.1, 504 R-504 H;
D24/210; 34/275, 202, 90; 132/73-76.5

See application file for complete search history.

U.S. PATENT DOCUMENTS

D277,323	S	*	1/1985	Raicevic	D28/58
D299,174	S	*	12/1988	Shoemaker	D28/58
D299,559	S	*	1/1989	Wong	D28/58
D299,957	S	*	2/1989	Shoemaker	D28/56
D664,299	S	*	7/2012	Ishida	D28/54.1
D672,048	S	*	12/2012	Datema et al.	D24/210
2006/0260628	A1	*	11/2006	Chan	132/73

* cited by examiner

Primary Examiner — Jennifer Rivard

(74) *Attorney, Agent, or Firm* — Blakely Sokoloff Taylor & Zafman

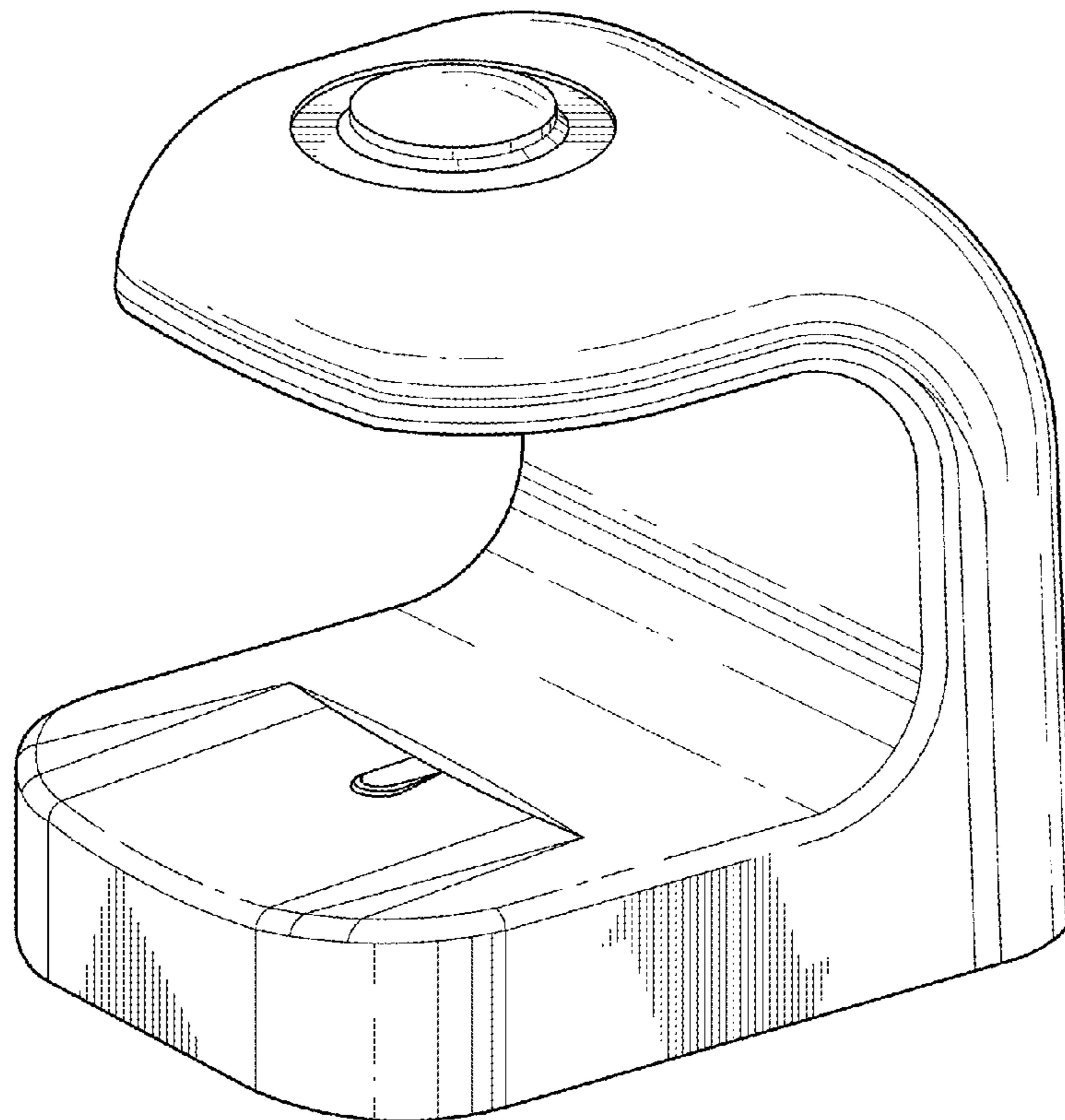
(57) **CLAIM**

The ornamental design for nail lamp, as shown and described.

DESCRIPTION

FIG. 1 is a side perspective view illustrating our new design.
FIG. 2 is a side elevation view thereof.
FIG. 3 is a side elevation view from the opposite side thereof.
FIG. 4 is a front elevation view thereof.
FIG. 5 is a rear elevation view thereof.
FIG. 6 is a top plan view thereof; and,
FIG. 7 is a bottom plan view thereof.

1 Claim, 4 Drawing Sheets



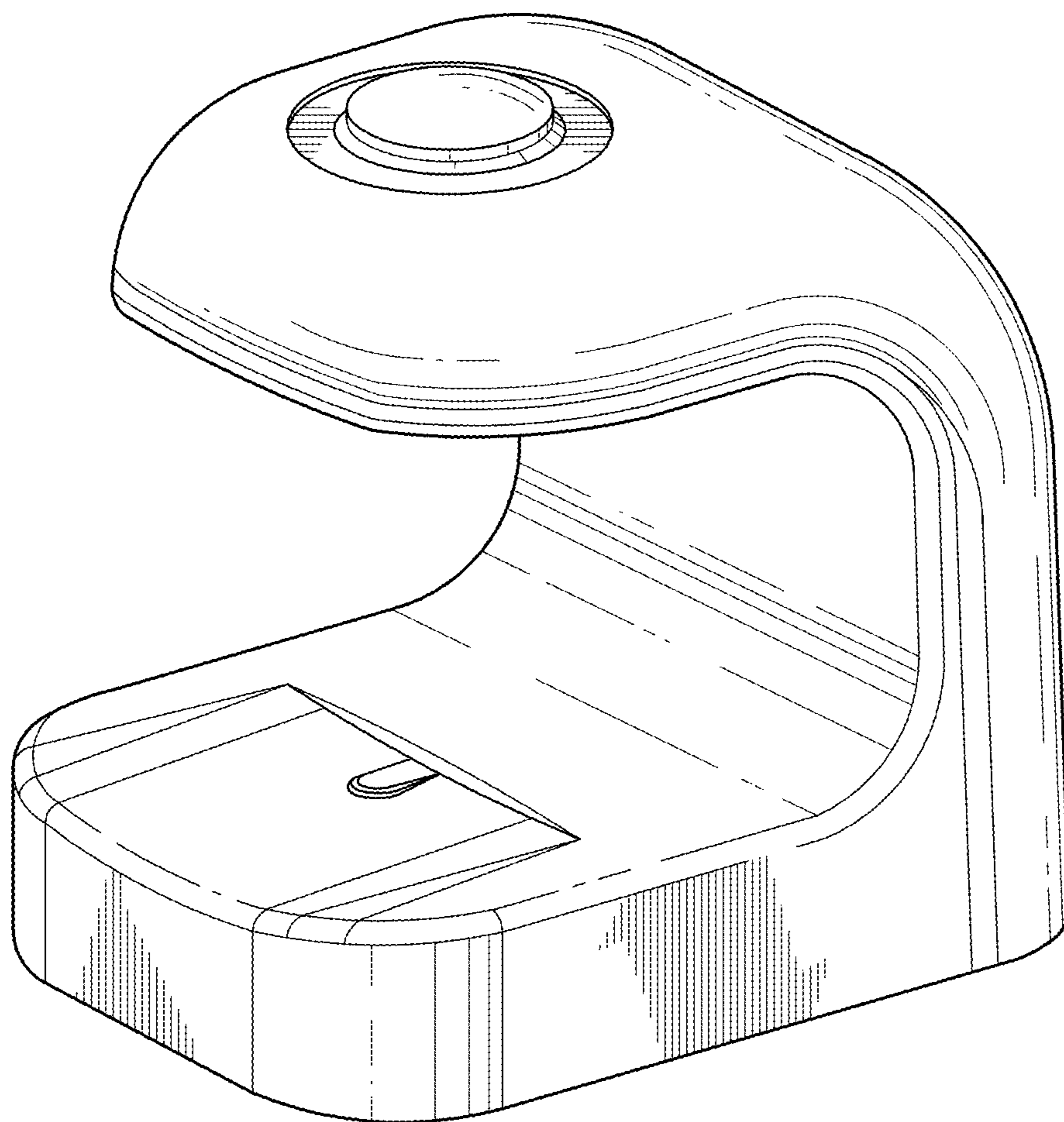


FIG. 1

FIG. 2

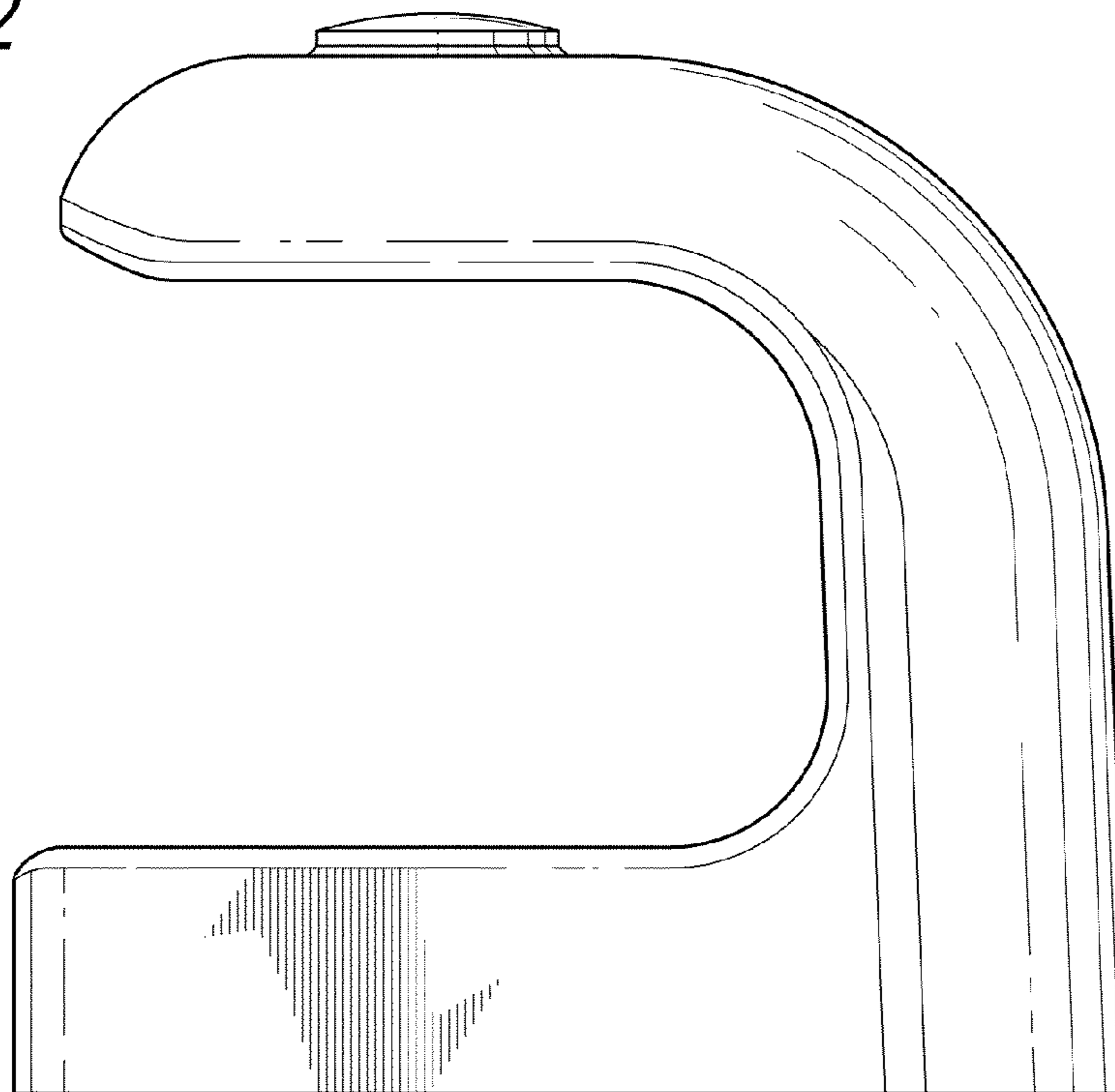
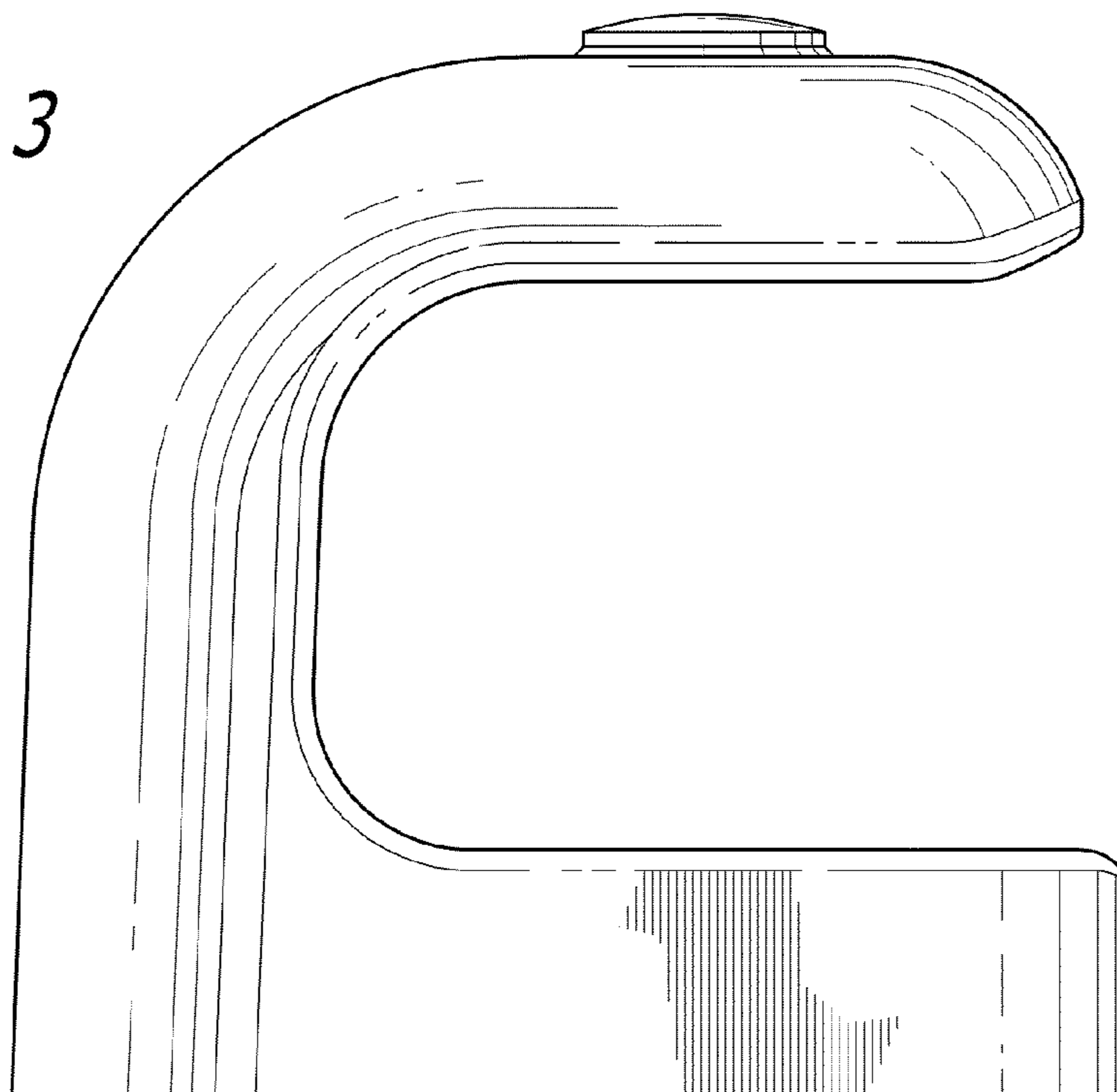


FIG. 3



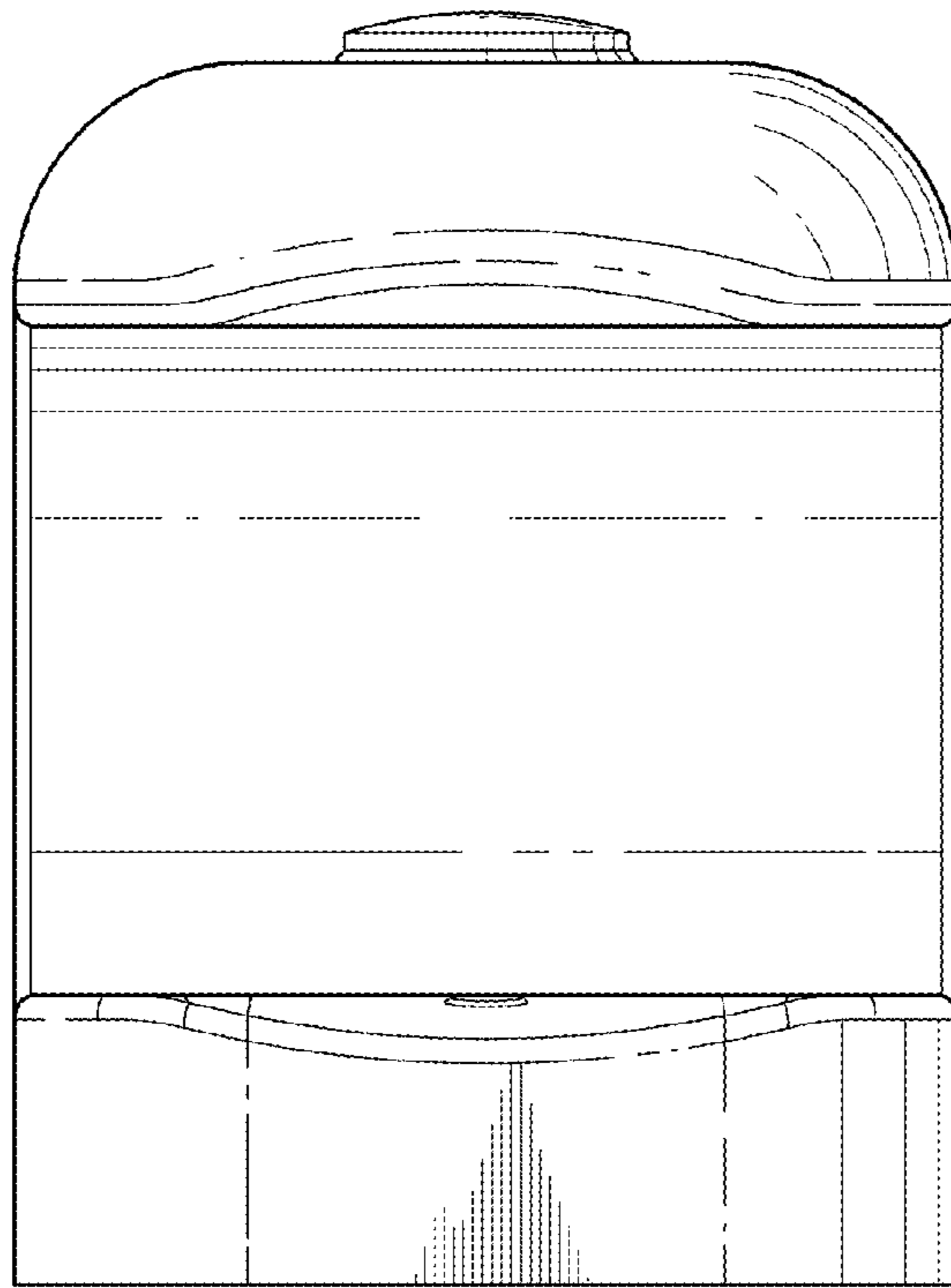


FIG. 4

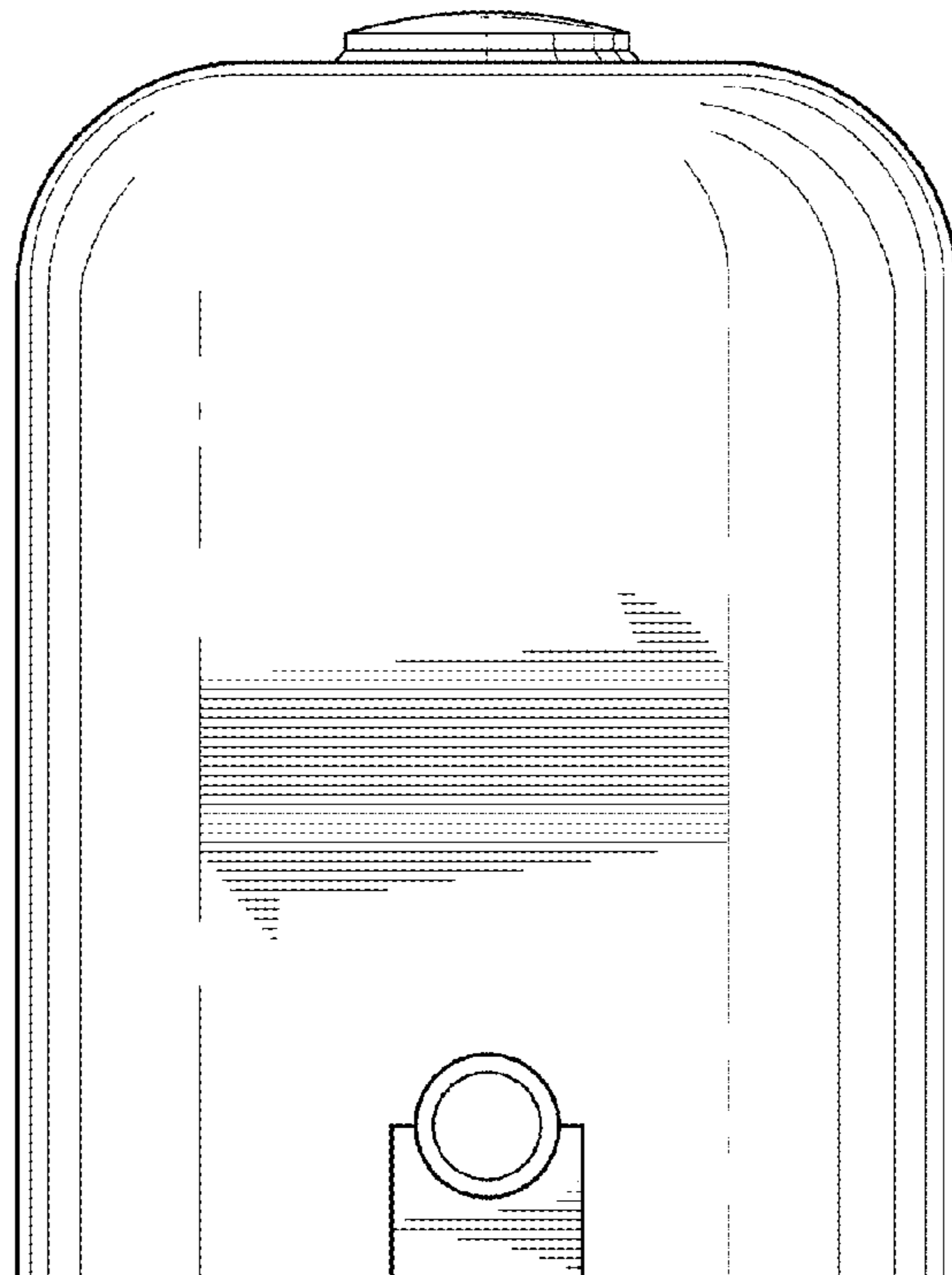


FIG. 5

FIG. 6

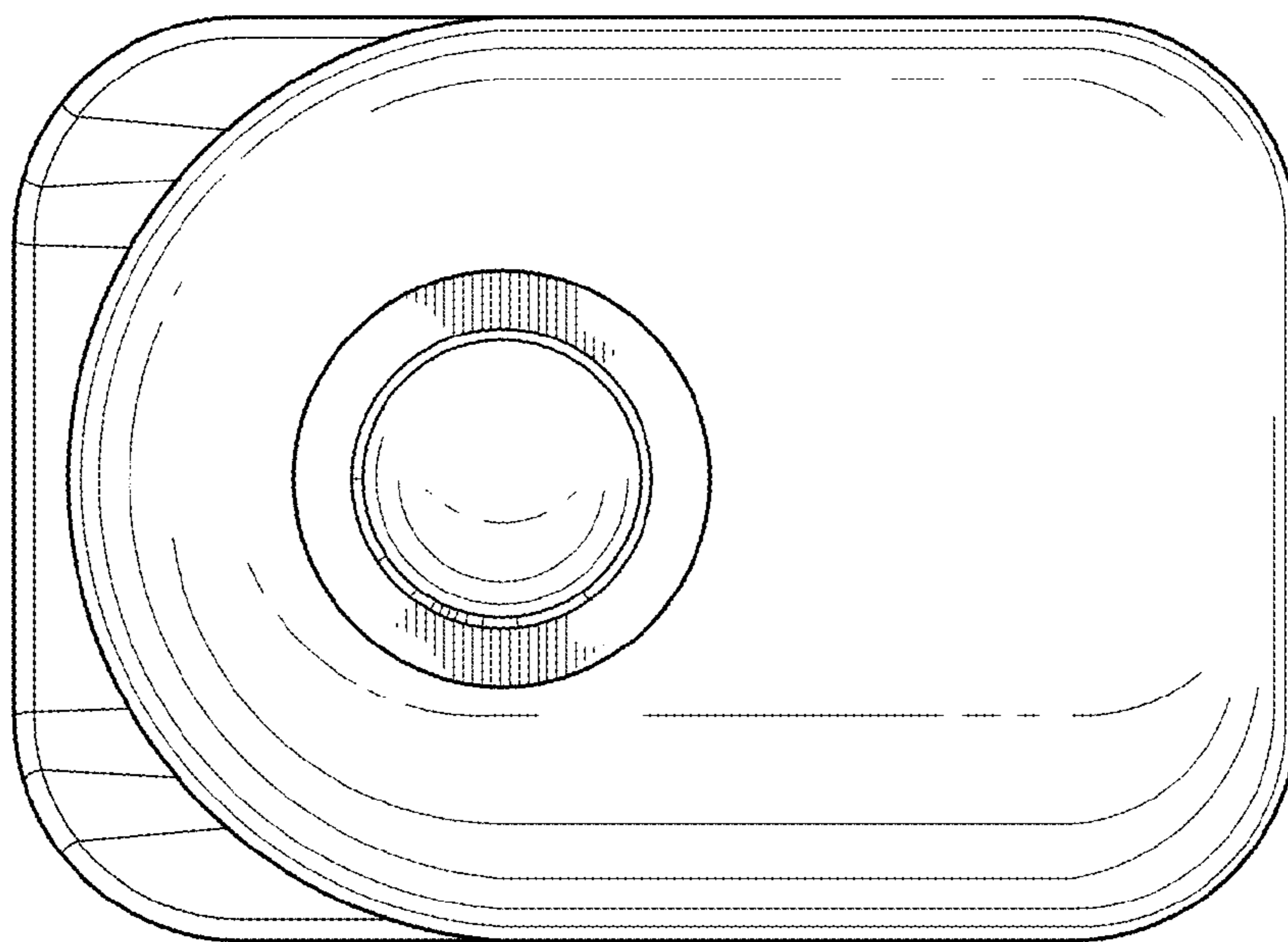


FIG. 7

