



US00D686367S

(12) **United States Design Patent**
Ruiz, Sr. et al.

(10) **Patent No.:** **US D686,367 S**
(45) **Date of Patent:** **** Jul. 16, 2013**

(54) **DISPENSING APPLICATOR WITH A FLOCKED TIP**

(71) Applicant: **Adhezion Biomedical, LLC**,
Wyomissing, PA (US)

(72) Inventors: **Rafael Ruiz, Sr.**, Hudson, NC (US);
Sheng Zhang, Hickory, NC (US);
Martin Krauss, Fort Myers, FL (US)

(73) Assignee: **Adhezion Biomedical, LLC**,
Wyomissing, PA (US)

(**) Term: **14 Years**

(21) Appl. No.: **29/436,183**

(22) Filed: **Nov. 2, 2012**

(51) **LOC (9) Cl.** **28-02**

(52) **U.S. Cl.**
USPC **D28/7**

(58) **Field of Classification Search**
USPC D28/7, 8, 20–22, 30–31, 76, 85,
D28/99; 132/108, 202, 208, 317.32;
401/202–207, 261–267; D4/132–135; D24/119
See application file for complete search history.

(56) **References Cited**

U.S. PATENT DOCUMENTS

5,636,931	A *	6/1997	Gueret	401/126
D414,688	S *	10/1999	Loeb et al.	D9/697
D418,246	S *	12/1999	Turri	D28/7
6,010,266	A *	1/2000	Schrepf	401/126

6,526,992	B2 *	3/2003	Bouix	132/318
D537,564	S *	2/2007	Montoli	D28/7
D538,975	S *	3/2007	Montoli	D28/7
D617,045	S *	6/2010	Uehara et al.	D28/7
7,785,026	B2 *	8/2010	Eng et al.	401/37
D633,650	S *	3/2011	Uehara et al.	D28/7
D671,260	S *	11/2012	Pires et al.	D28/7

* cited by examiner

Primary Examiner — Zenia Bennett

(74) *Attorney, Agent, or Firm* — Stradley Ronon Stevens & Young, LLP

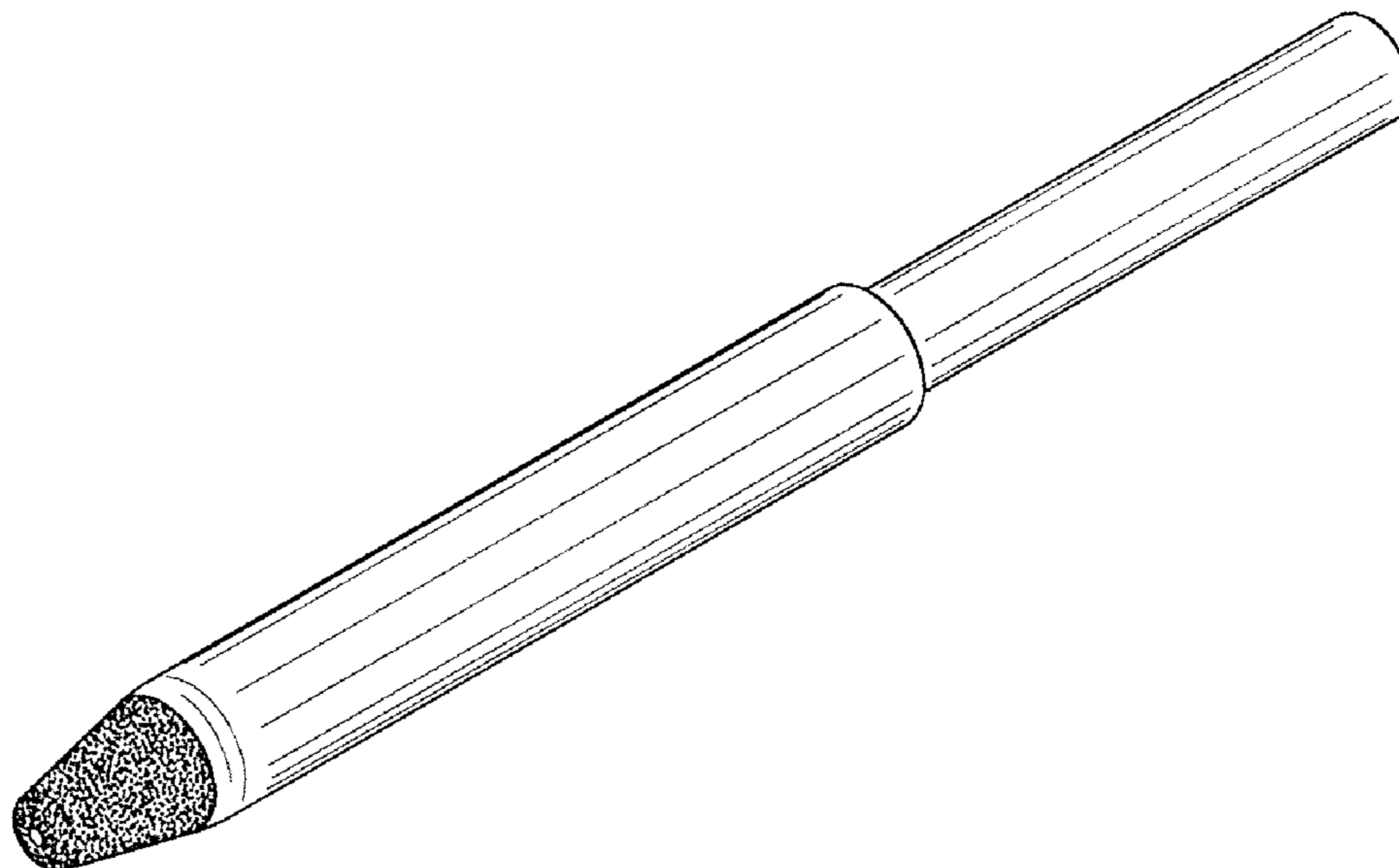
(57) **CLAIM**

The ornamental design for a dispensing applicator with a flocked tip, substantially as shown and described.

DESCRIPTION

FIG. 1 is a perspective view of the ornamental design for the dispensing applicator;
FIG. 2 is a front view of the ornamental design for the dispensing applicator;
FIG. 3 is a rear view of the ornamental design for the dispensing applicator;
FIG. 4 is a top view of the ornamental design for the dispensing applicator;
FIG. 5 is a bottom view of the ornamental design for the dispensing applicator;
FIG. 6 is a side view of the ornamental design for the dispensing applicator; and,
FIG. 7 is another side view of the ornamental design for the dispensing applicator.

1 Claim, 2 Drawing Sheets



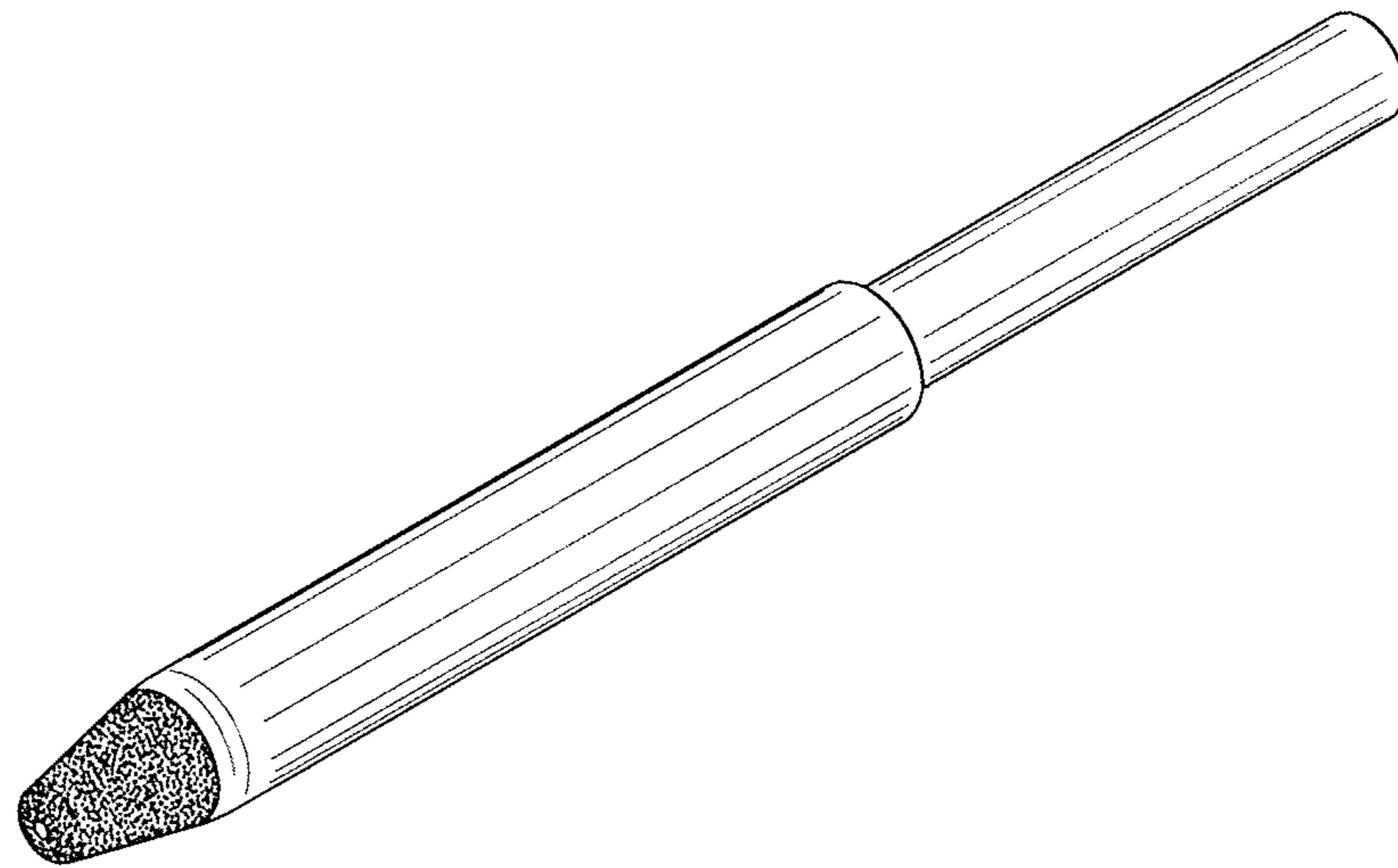


FIG. 1

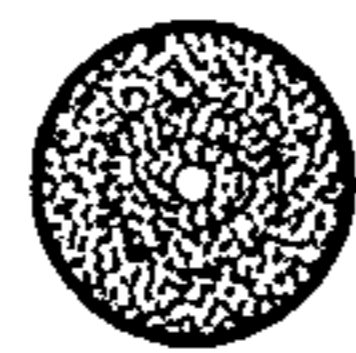


FIG. 2

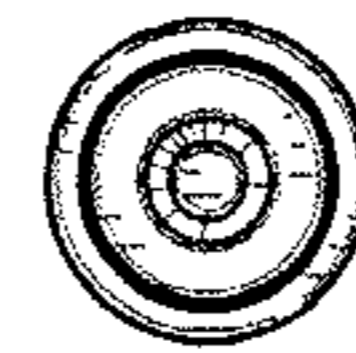


FIG. 3

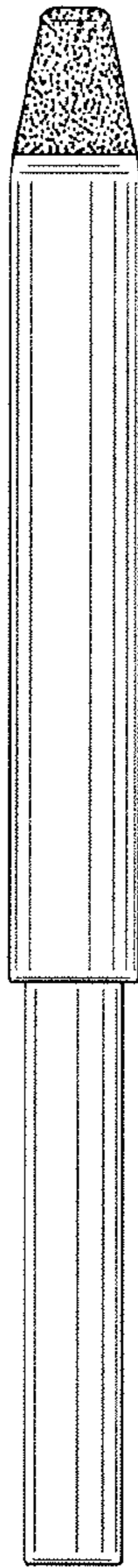


FIG. 4

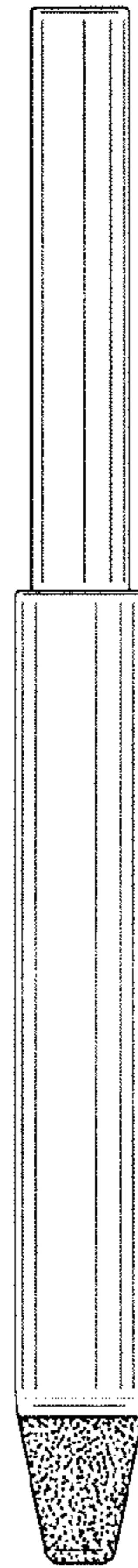


FIG. 5

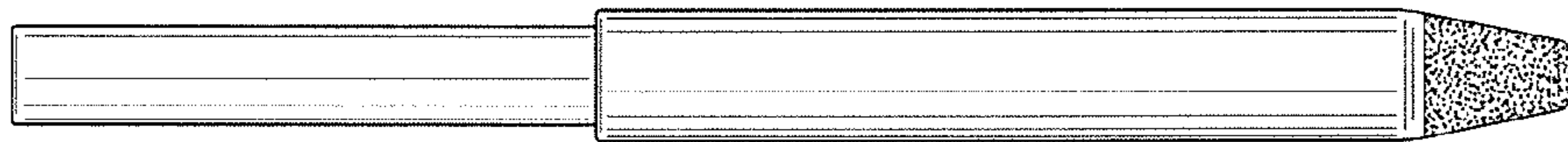


FIG. 6

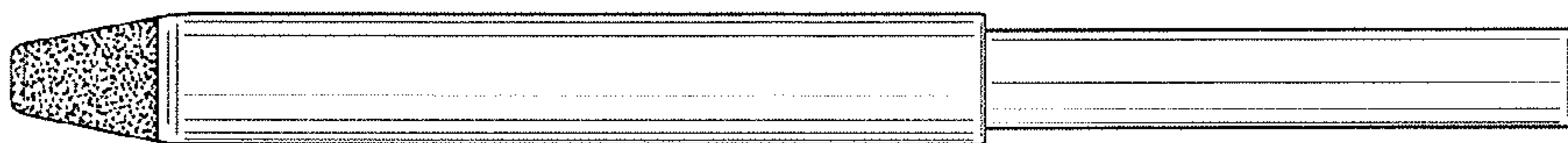


FIG. 7