



US00D686365S

(12) **United States Design Patent**
Ruiz et al.

(10) **Patent No.:** **US D686,365 S**
(45) **Date of Patent:** **** Jul. 16, 2013**

(54) **DISPENSING APPLICATOR WITH AN ELONGATE TIP AND CONTOURED GRIP**

6,247,862 B1 *	6/2001	Garza	401/6
D504,540 S *	4/2005	Bailey	D28/7
D614,806 S *	4/2010	Arrington	D28/7
D636,121 S *	4/2011	Shuch	D28/7
D645,610 S *	9/2011	Somers et al.	D28/7
D653,806 S *	2/2012	Bewick-Lieffort	D28/7

(71) Applicant: **Adhezion Biomedical, LLC**,
Wyomissing, PA (US)

* cited by examiner

(72) Inventors: **Rafael Ruiz**, Hudson, NC (US); **Sheng Zhang**, Hickory, NC (US); **Martin Krauss**, Fort Myers, FL (US)

Primary Examiner — Zenia Bennett

(74) *Attorney, Agent, or Firm* — Stradley Ronon Stevens & Young, LLP

(73) Assignee: **Adhezion Biomedical, LLC**,
Wyomissing, PA (US)

(57) **CLAIM**

The ornamental design for a dispensing applicator with an elongate tip and contoured grip, substantially as shown and described.

(**) Term: **14 Years**

DESCRIPTION

(21) Appl. No.: **29/436,180**

(22) Filed: **Nov. 2, 2012**

(51) **LOC (9) Cl.** **28-02**

(52) **U.S. Cl.**
USPC **D28/7**

(58) **Field of Classification Search**
USPC D28/7, 8, 20–22, 30–31, 76, 85,
D28/99; 132/108, 202, 208, 317.32;
401/202–207, 261–267; D4/132–135; D24/119
See application file for complete search history.

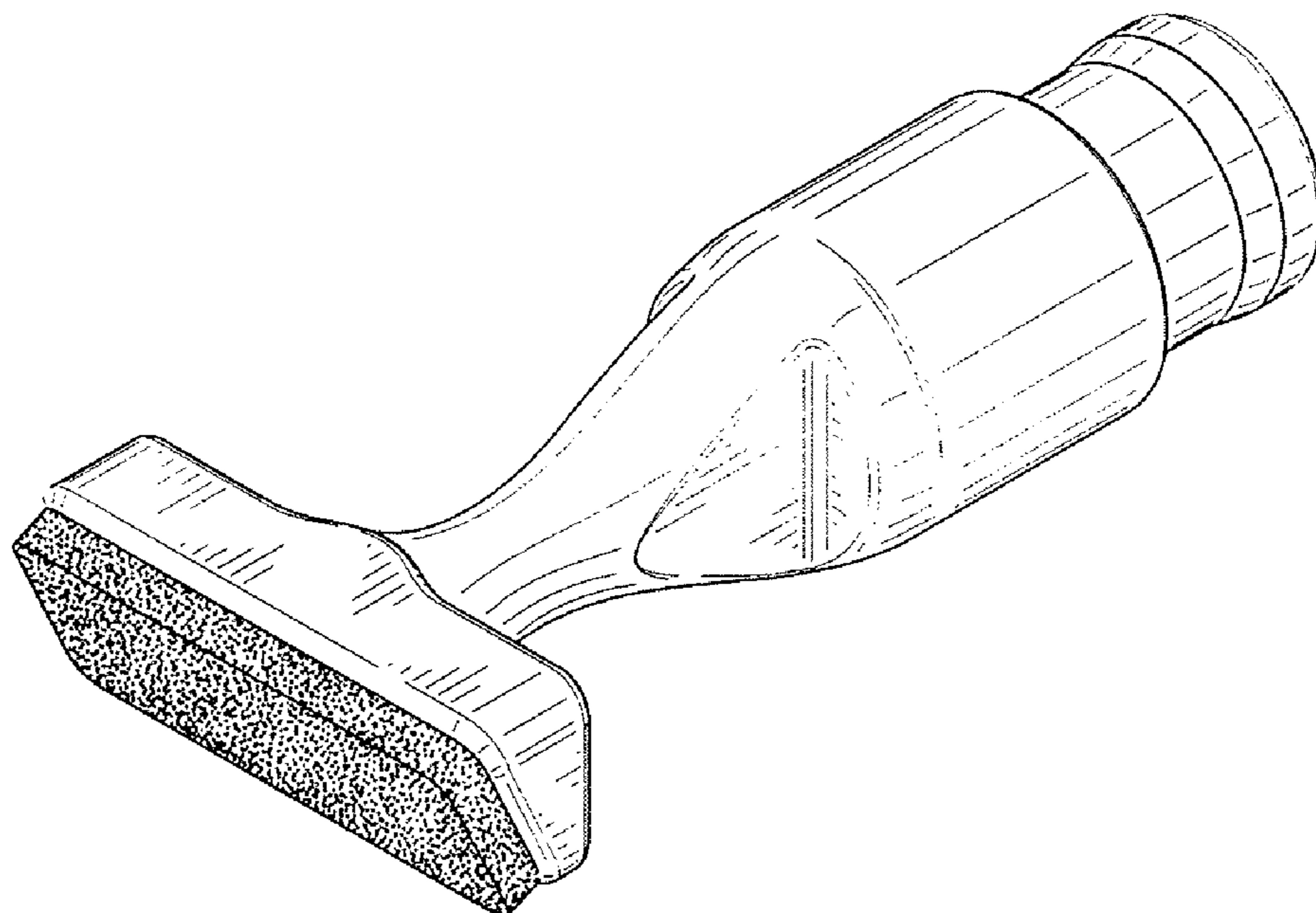
FIG. 1 is a perspective view of the ornamental design for the dispensing applicator;
FIG. 2 is a front view of the ornamental design for the dispensing applicator;
FIG. 3 is a rear view of the ornamental design for the dispensing applicator;
FIG. 4 is a top view of the ornamental design for the dispensing applicator;
FIG. 5 is a bottom view of the ornamental design for the dispensing applicator;
FIG. 6 is a side view of the ornamental design for the dispensing applicator; and,
FIG. 7 is another side view of the ornamental design for the dispensing applicator.

(56) **References Cited**

U.S. PATENT DOCUMENTS

D342,342 S *	12/1993	Maglione	D28/7
5,961,235 A *	10/1999	Kennedy	401/6
D425,661 S *	5/2000	Fenenga	D28/7

1 Claim, 4 Drawing Sheets



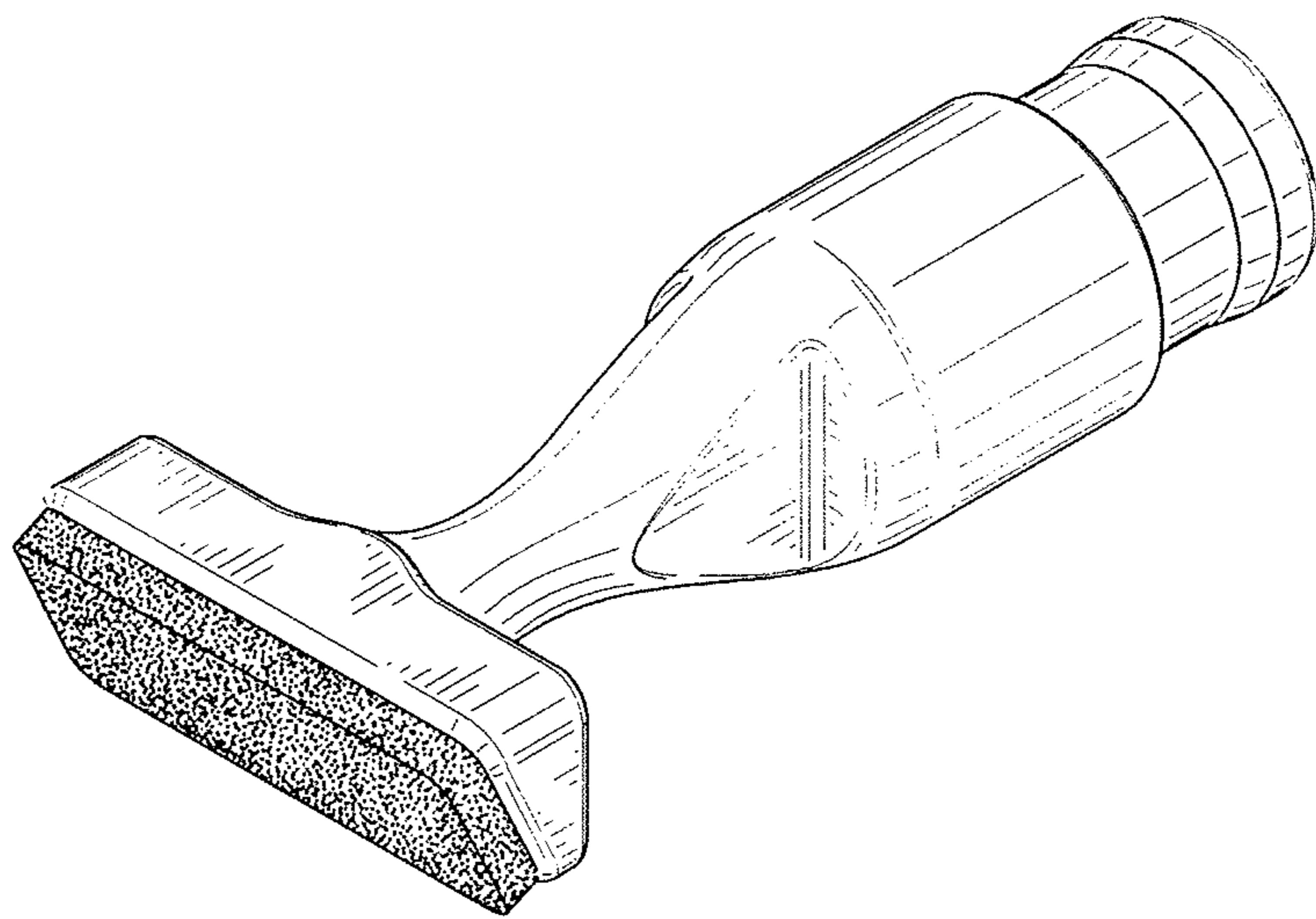


FIG. 1

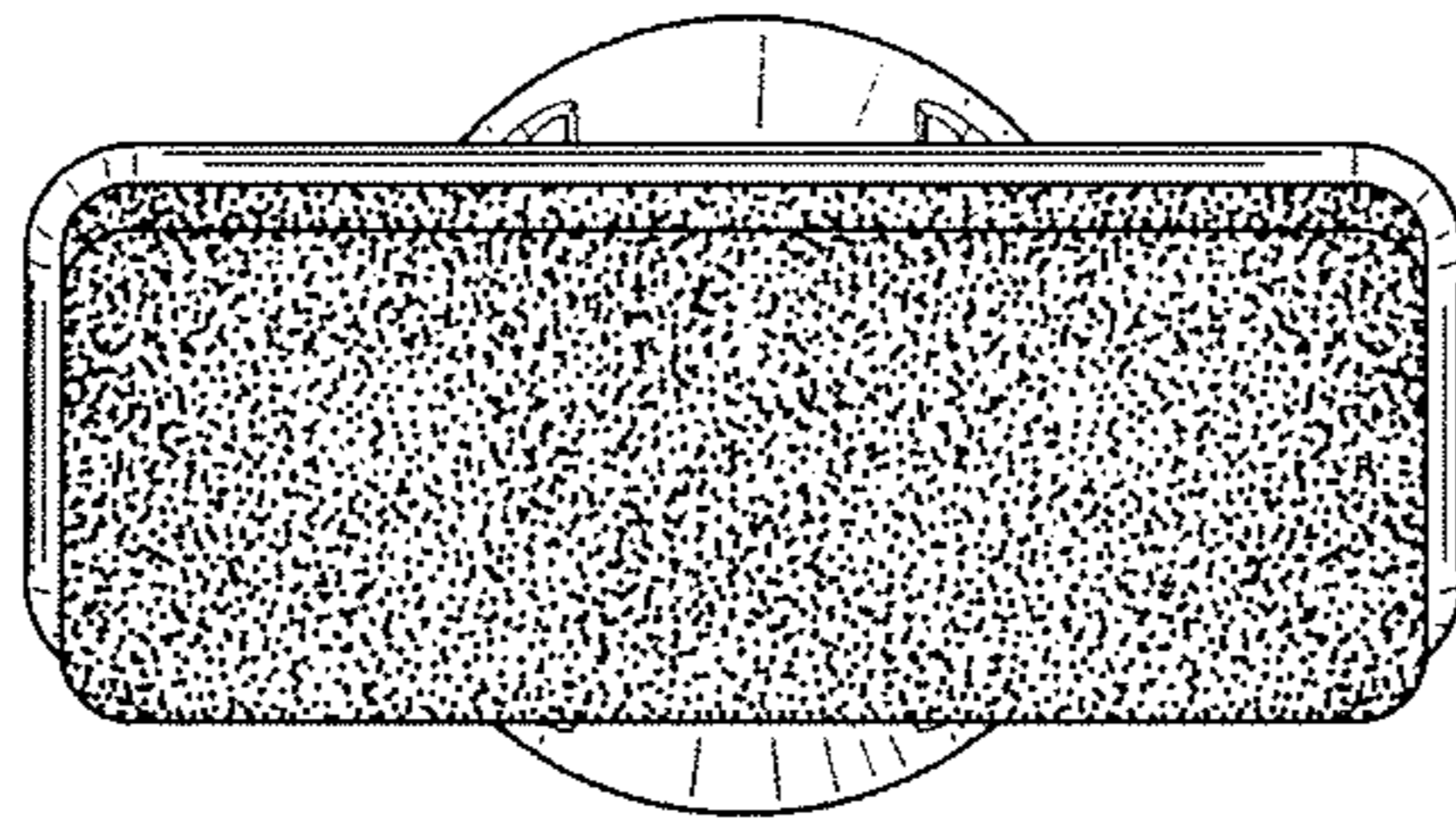


FIG. 2

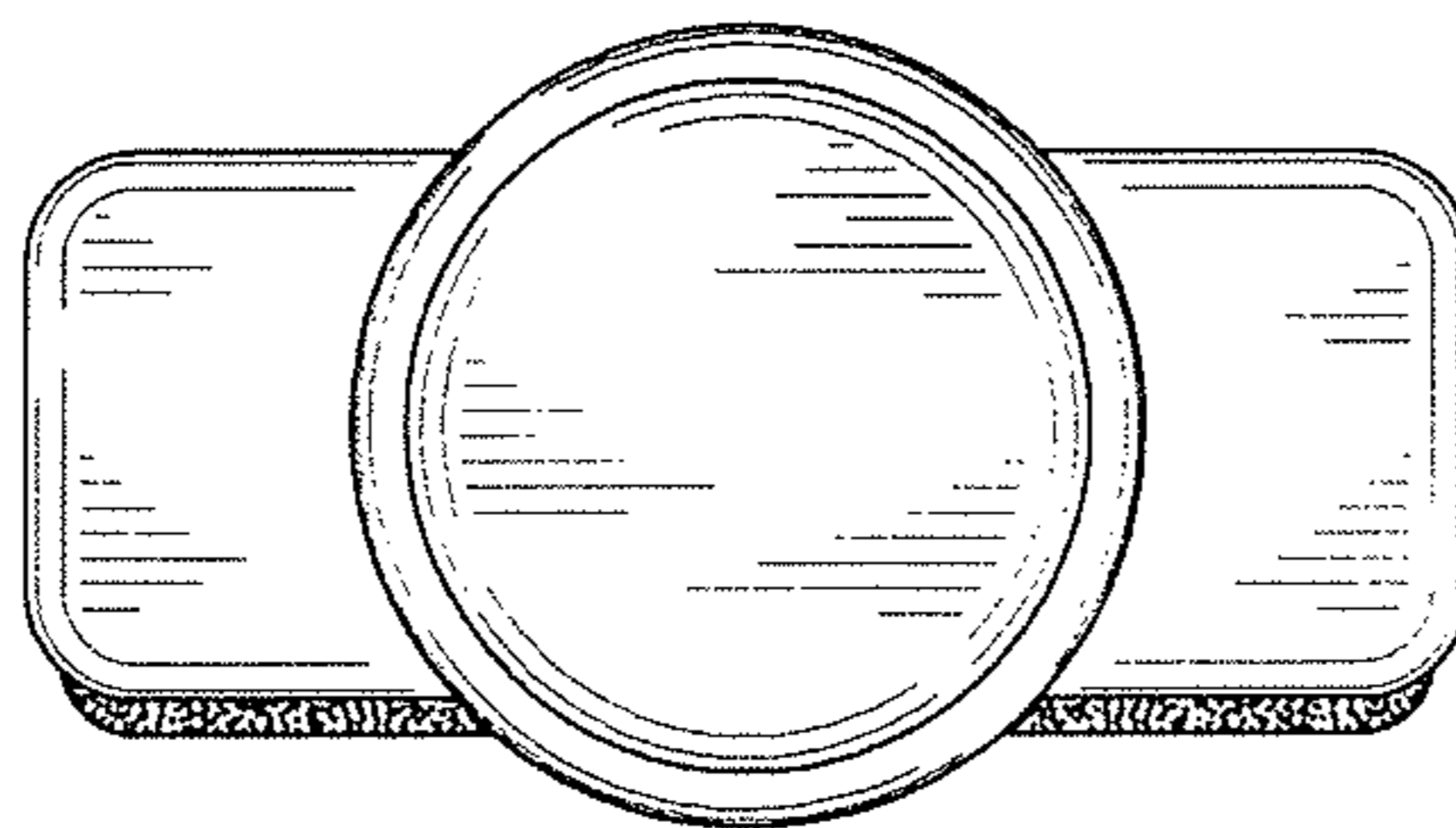


FIG. 3

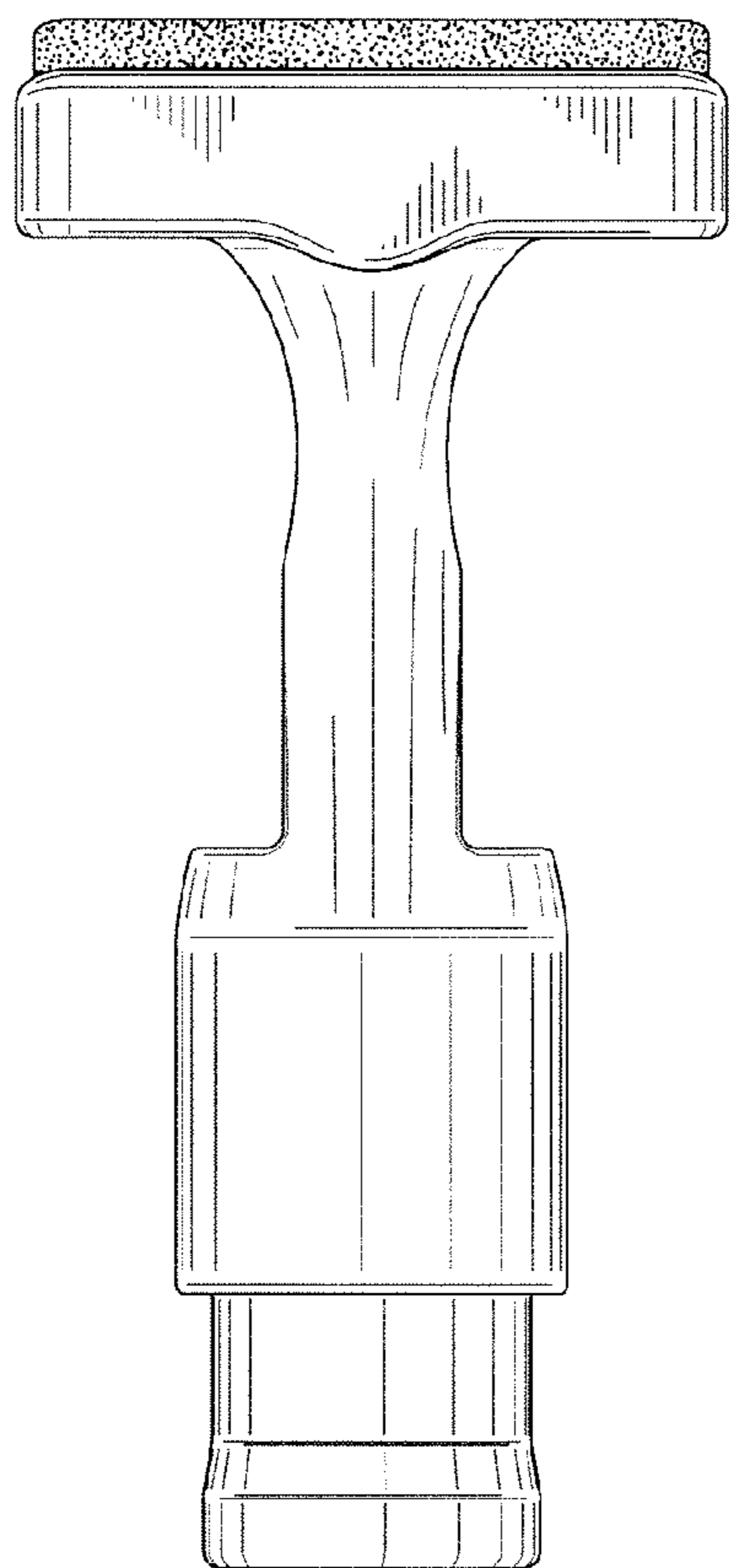


FIG. 4

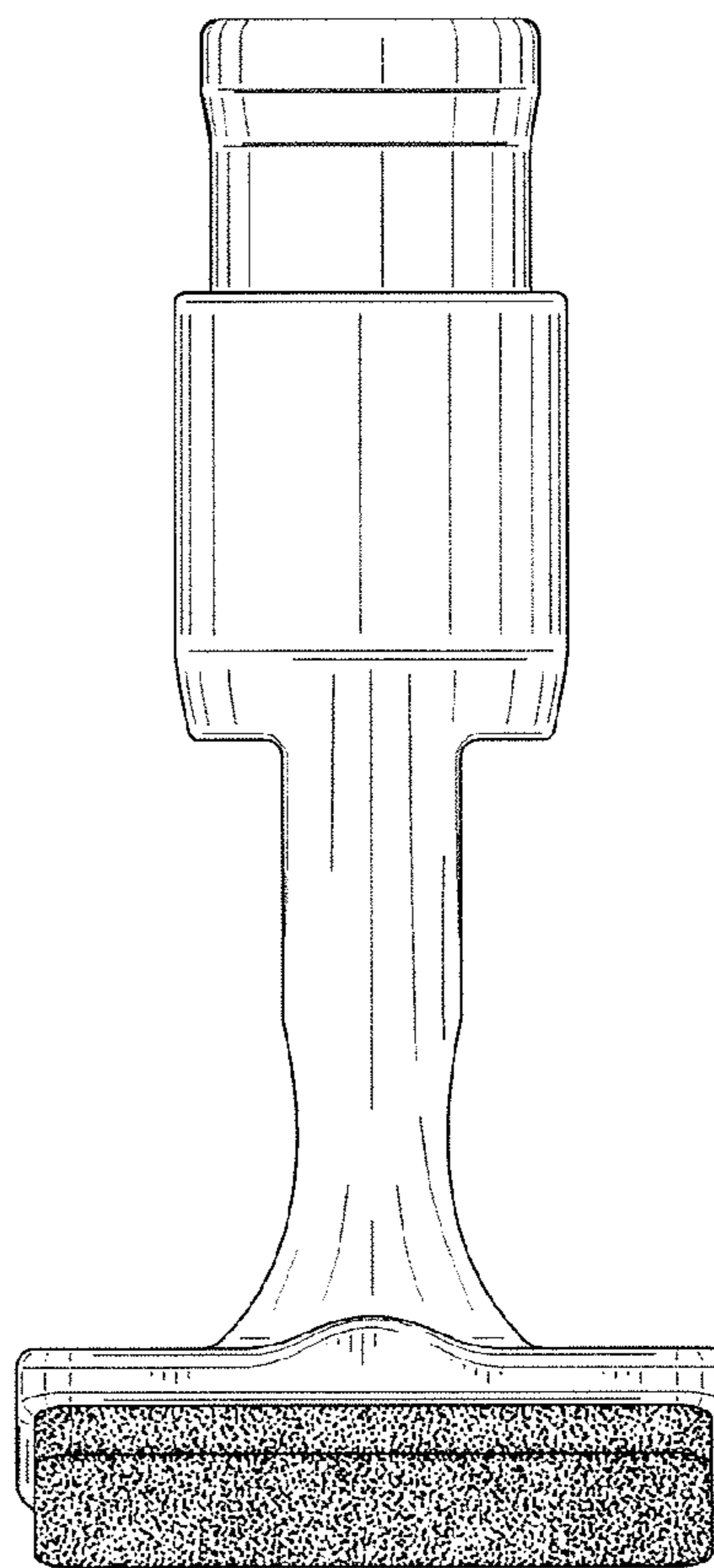


FIG. 5

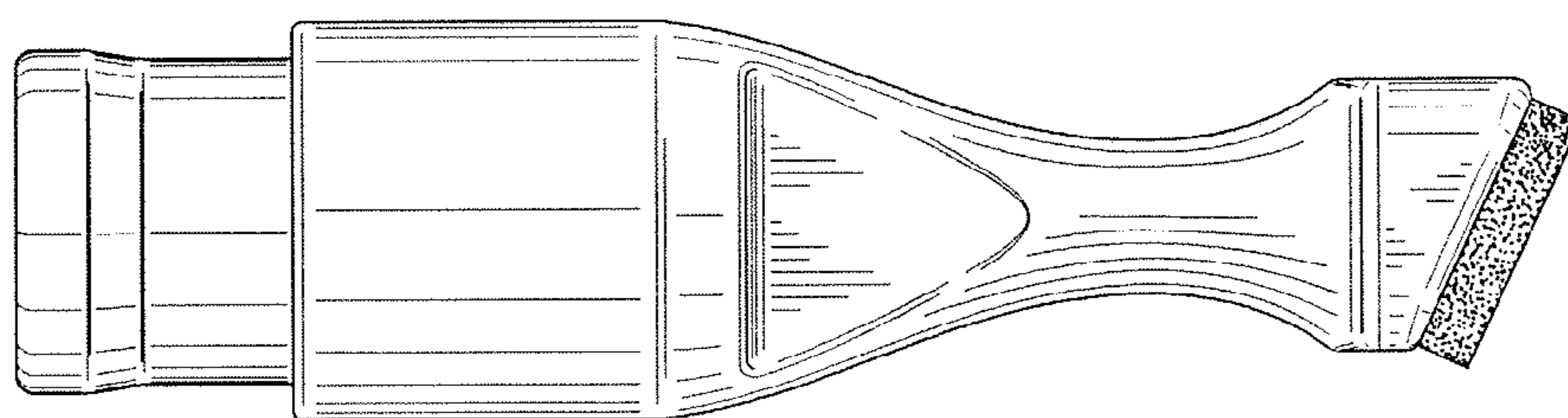


FIG. 6

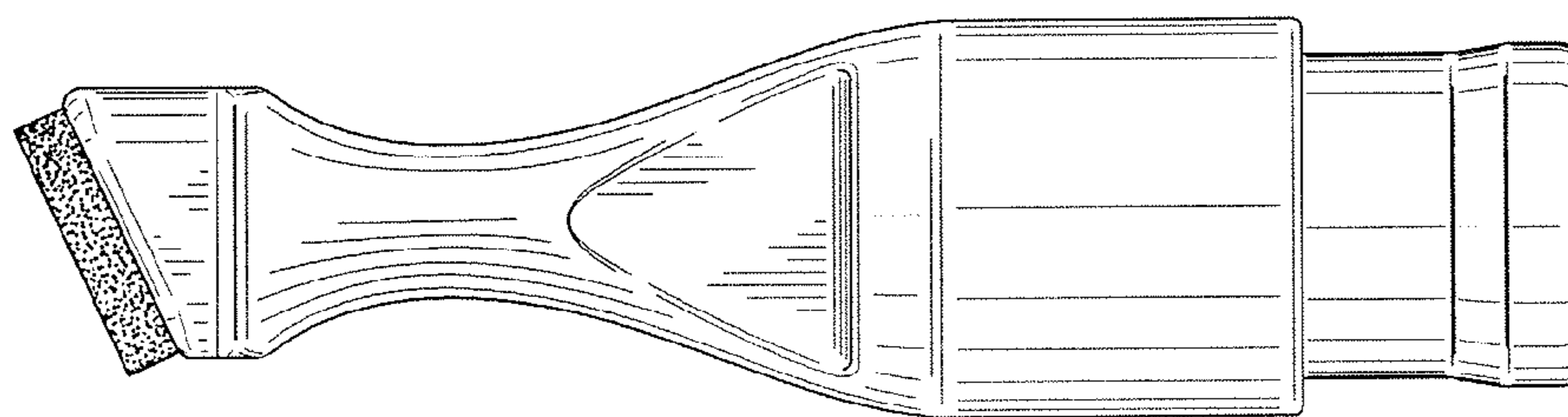


FIG. 7