



US00D686363S

(12) **United States Design Patent**  
**Smith**

(10) **Patent No.:** **US D686,363 S**  
(45) **Date of Patent:** **\*\* Jul. 16, 2013**

- (54) **RECTILINEAR PENDANT LIGHT FIXTURE**
- (71) Applicant: **3form, Inc.**, Salt Lake City, UT (US)
- (72) Inventor: **Ryan Grey Smith**, Seattle, WA (US)
- (73) Assignee: **3form, Inc.**, Salt Lake City, UT (US)
- (\*\*) Term: **14 Years**
- (21) Appl. No.: **29/435,422**
- (22) Filed: **Oct. 24, 2012**
- (51) **LOC (9) Cl.** ..... **26-99**
- (52) **U.S. Cl.**  
USPC ..... **D26/118**
- (58) **Field of Classification Search**  
USPC ..... D26/118, 119, 120, 67, 68, 69, 62,  
D26/63, 85, 86, 121, 122, 65, 124, 125, 139,  
D26/138, 140, 155, 154, 72, 76, 75, 64, 66,  
D26/71, 78, 79, 84, 137, 136, 126, 127, 128,  
D26/129, 135, 132, 134, 142, 144, 145, 147,  
D26/152, 1, 2, 3, 87, 88, 24, 25, 26, 28, 89,  
D26/90, 91, 92; 362/225, 326, 147,  
249.01–249.12, 346, 223, 224, 306, 149,  
362/362, 217.05, 342, 217.03, 297, 294,  
362/235, 329, 476, 555, 218; D13/179, 180  
See application file for complete search history.

- D491,686 S \* 6/2004 Citterio ..... D26/72
- D548,387 S \* 8/2007 McDowell ..... D26/118
- D553,788 S \* 10/2007 Holmes ..... D26/93
- D561,928 S \* 2/2008 Silver ..... D26/88
- D575,444 S \* 8/2008 Lissoni ..... D26/137
- D584,446 S \* 1/2009 Sabernig ..... D26/88
- D585,584 S \* 1/2009 Sabernig ..... D26/88
- D590,088 S \* 4/2009 Dworschak ..... D26/85
- D596,782 S \* 7/2009 Silver ..... D26/90
- D626,278 S \* 10/2010 Sabernig ..... D26/88
- D626,680 S \* 11/2010 Verelst ..... D26/85
- D630,370 S \* 1/2011 Meeker et al. .... D26/93
- D638,977 S \* 5/2011 Heyrman ..... D26/85
- D641,911 S \* 7/2011 Gutting ..... D26/88
- D643,957 S \* 8/2011 Verelst et al. .... D26/65
- D643,964 S \* 8/2011 Heyrman ..... D26/85

(Continued)

*Primary Examiner* — Kevin Rudzinski  
(74) *Attorney, Agent, or Firm* — Workman Nydegger

(57) **CLAIM**  
The ornamental design for a rectilinear pendant light fixture, as shown and described.

**DESCRIPTION**

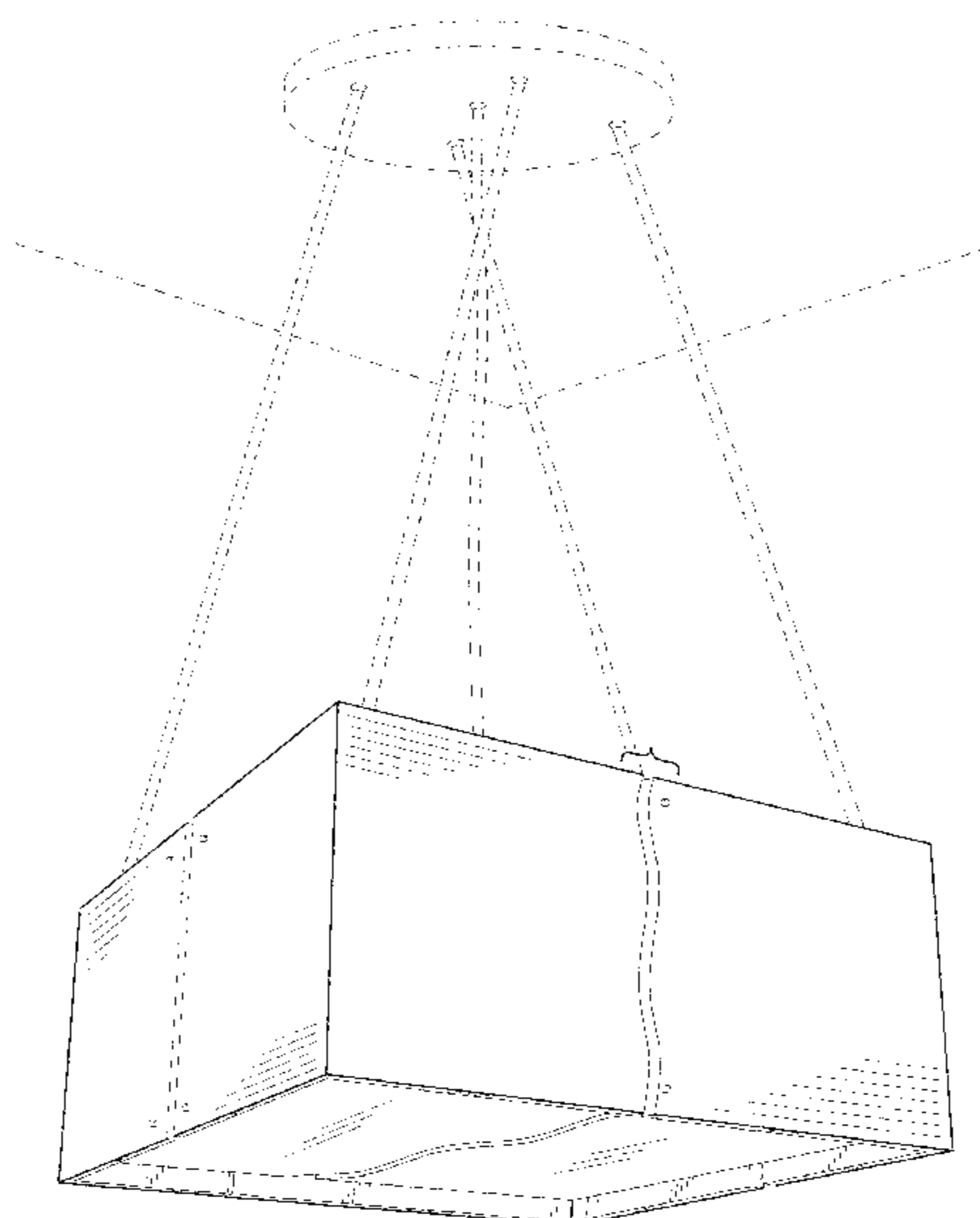
FIG. 1 is a bottom perspective view of a rectilinear pendant light fixture including my design;  
FIG. 2 is an enlarged bottom perspective view thereof;  
FIG. 3 is a front elevational view thereof;  
FIG. 4 is a rear elevational view thereof;  
FIG. 5 is a left-side elevational view thereof;  
FIG. 6 is a right-side elevational view thereof;  
FIG. 7 is a top plan view thereof; and,  
FIG. 8 is a bottom plan view thereof.  
The broken lines showing portions of the light fixture form no part of the claimed design. The rectilinear pendant light fixture is shown broken away down the center to indicate that the design has no specific length.

**1 Claim, 6 Drawing Sheets**

(56) **References Cited**

**U.S. PATENT DOCUMENTS**

- D158,917 S \* 6/1950 Wince ..... D26/85
- 2,626,120 A \* 1/1953 Baker ..... 248/343
- 2,711,476 A \* 6/1955 Wells ..... 362/352
- D221,181 S \* 7/1971 Bobrick ..... D26/85
- D272,475 S \* 1/1984 Yahraus ..... D26/24
- D294,068 S \* 2/1988 Platner ..... D26/81
- D304,860 S \* 11/1989 O'Dohanue et al. .... D26/67
- D328,798 S \* 8/1992 Leonard ..... D26/104
- D481,484 S \* 10/2003 Cuevas et al. .... D26/84



# US D686,363 S

Page 2

---

## U.S. PATENT DOCUMENTS

D643,968 S *	8/2011	Sprengers .....	D26/89	D665,121 S *	8/2012	Smith .....	D26/128
D648,888 S *	11/2011	Spoth .....	D26/88	8,256,151 B2 *	9/2012	Stafford et al. ....	40/617
D654,614 S *	2/2012	Williamson .....	D26/85	D674,962 S *	1/2013	Drake et al. ....	D26/118
D659,281 S *	5/2012	Patkus et al. ....	D26/137				

\* cited by examiner

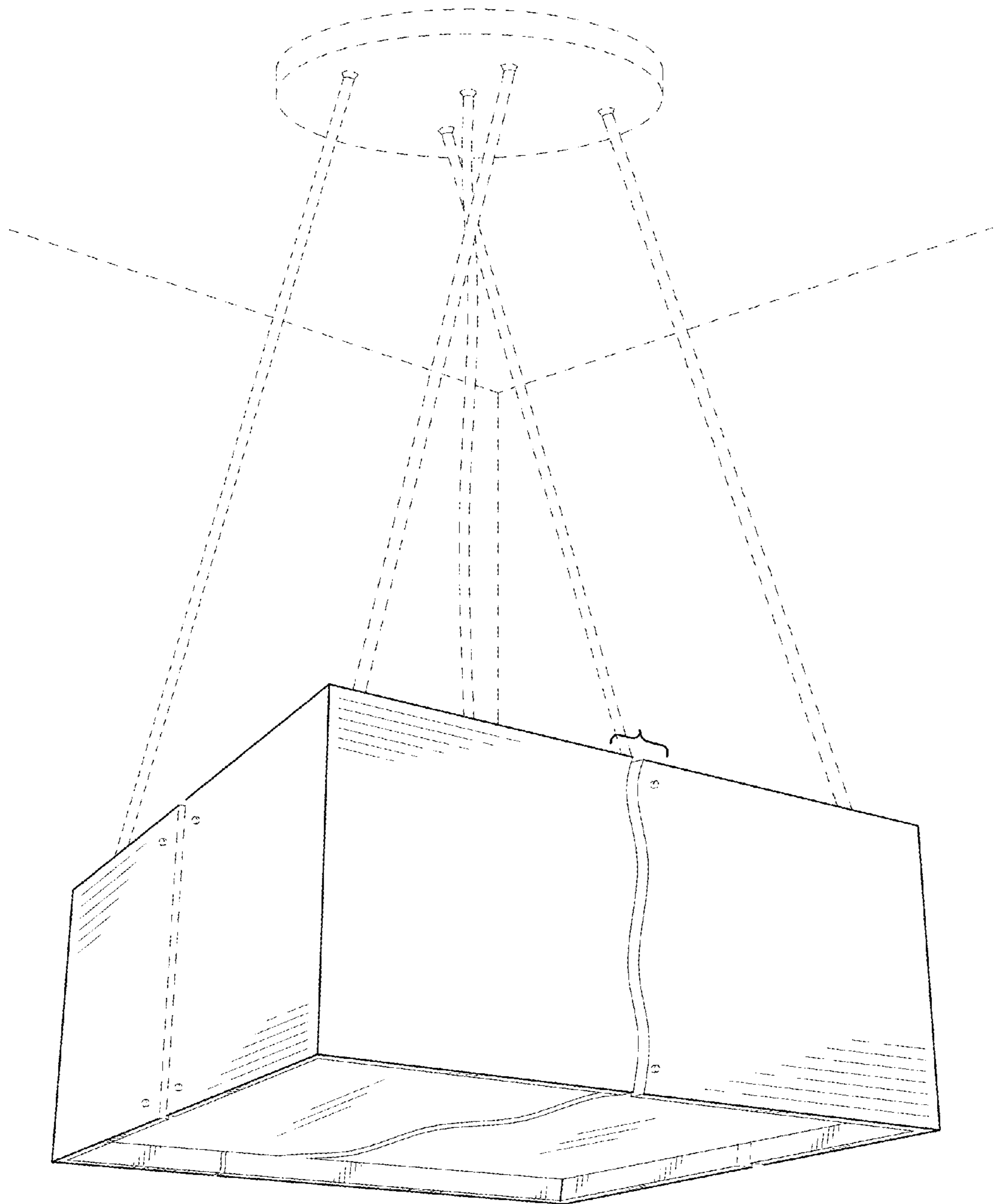


FIG. 1

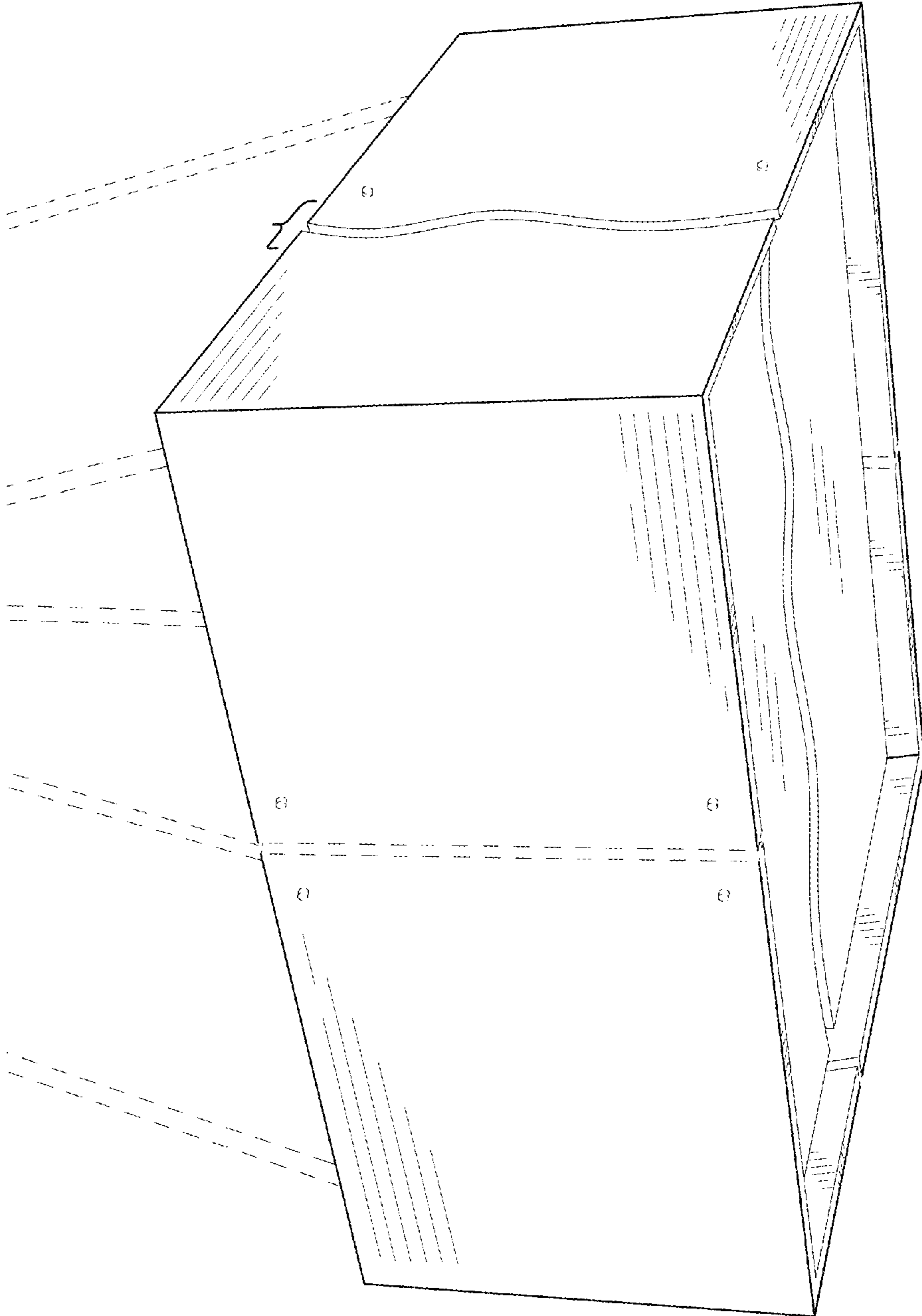


FIG. 2

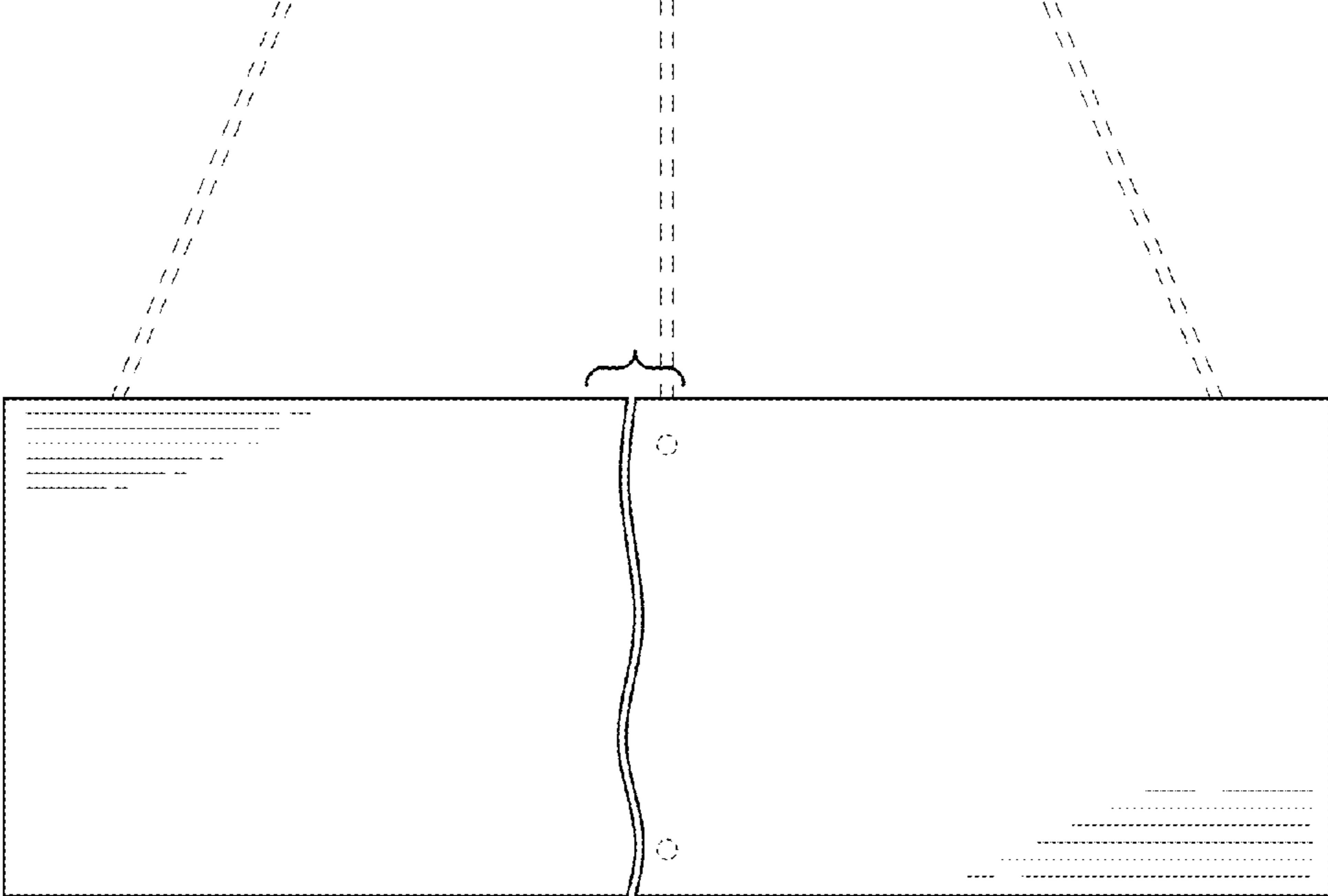


FIG. 3

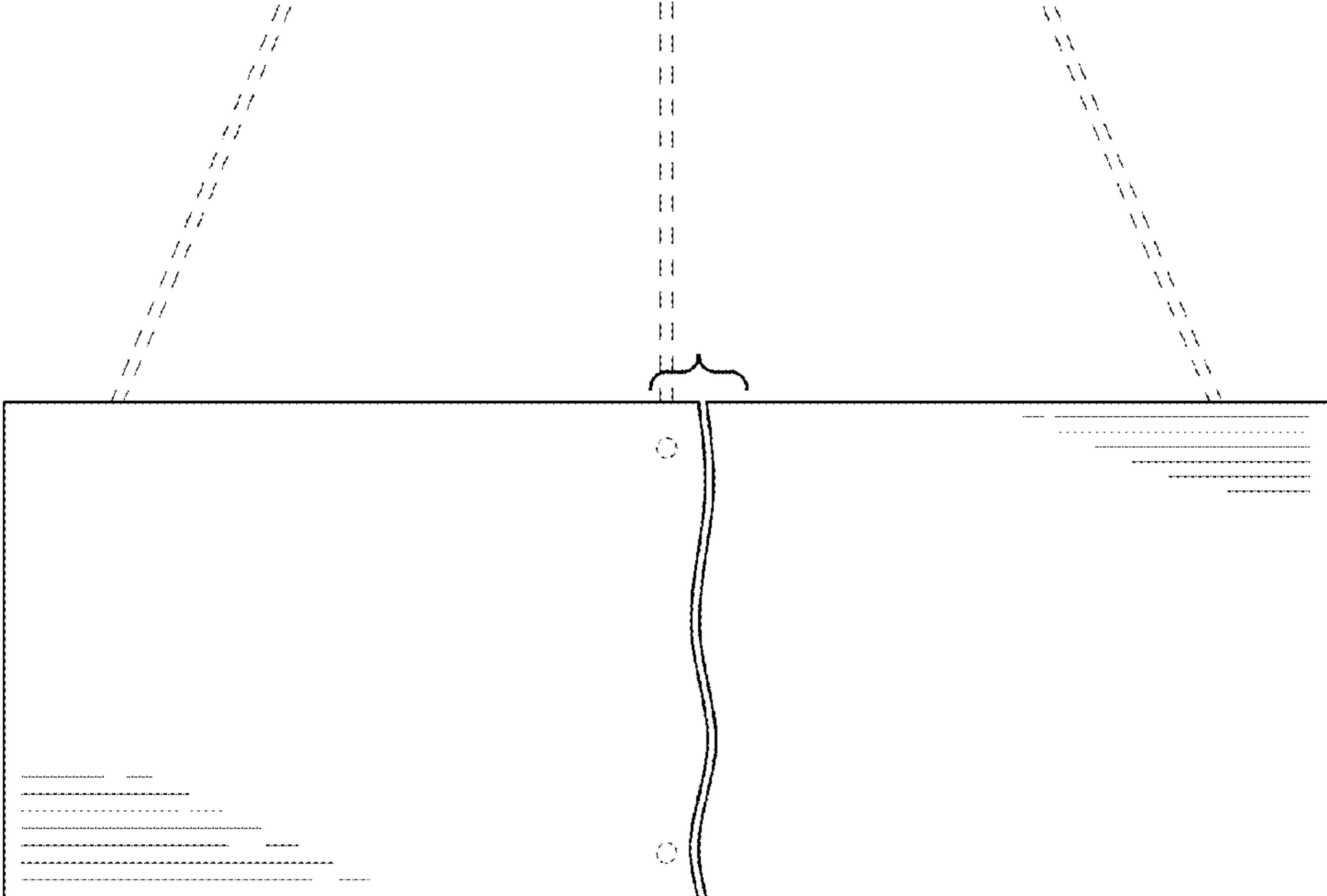


FIG. 4

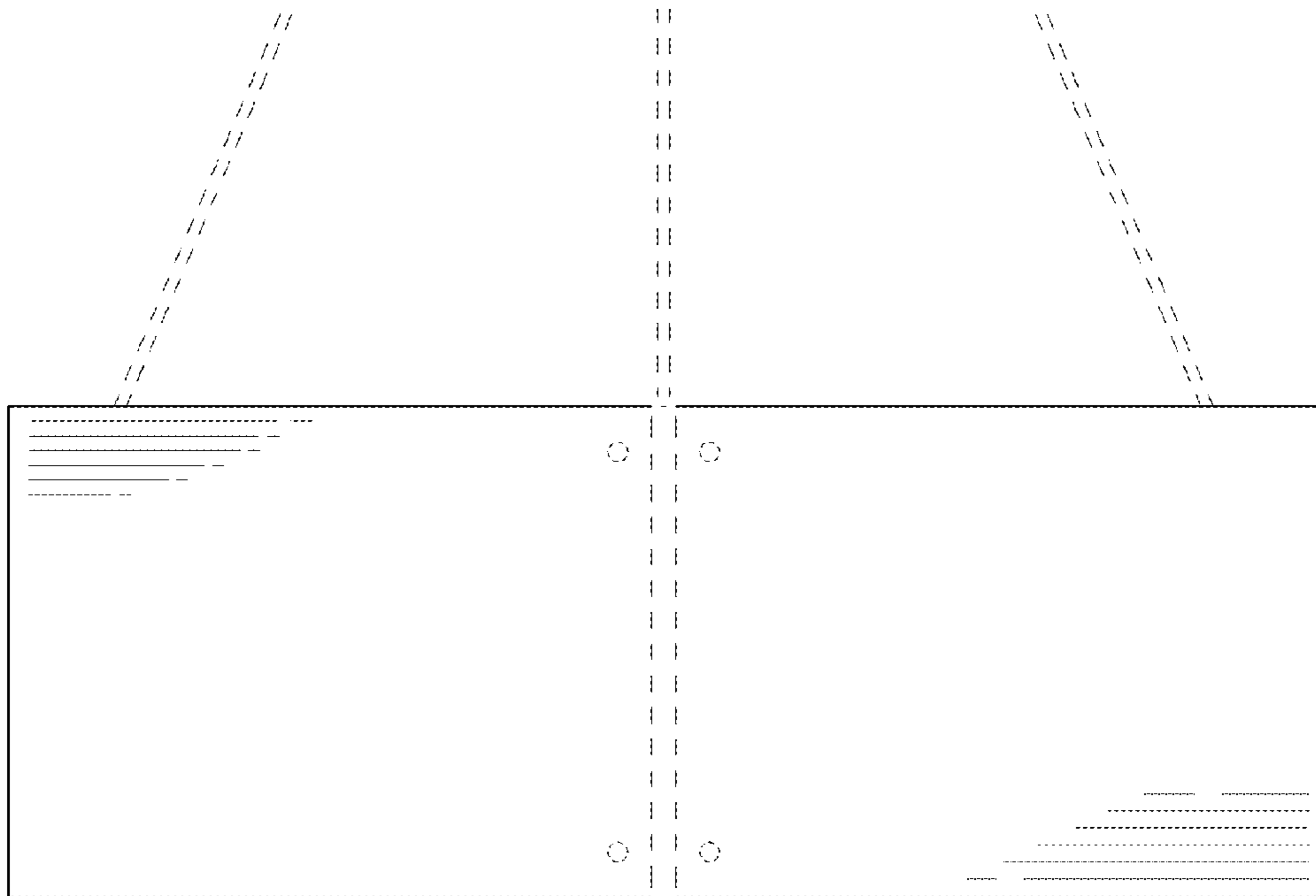


FIG. 5

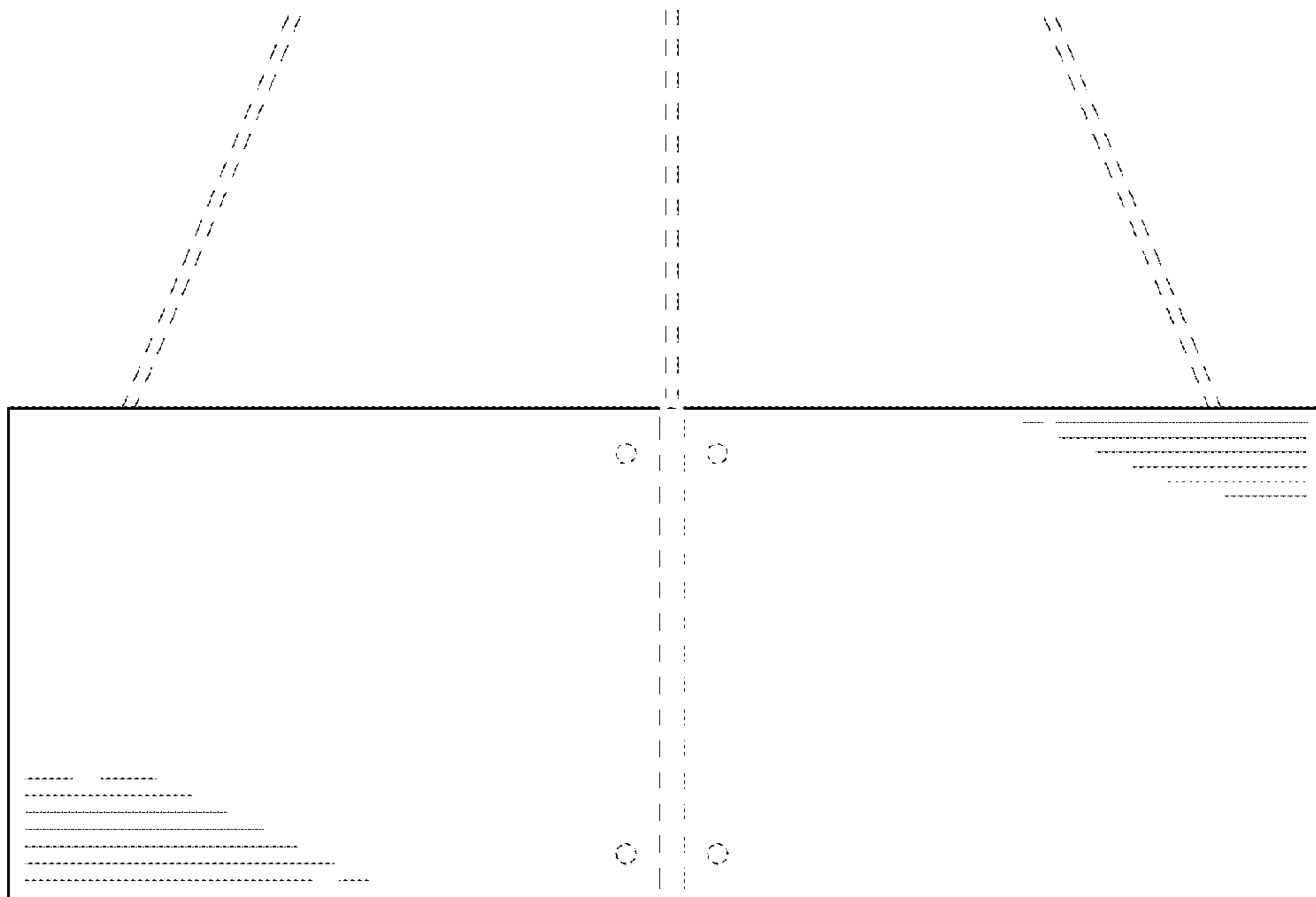


FIG. 6

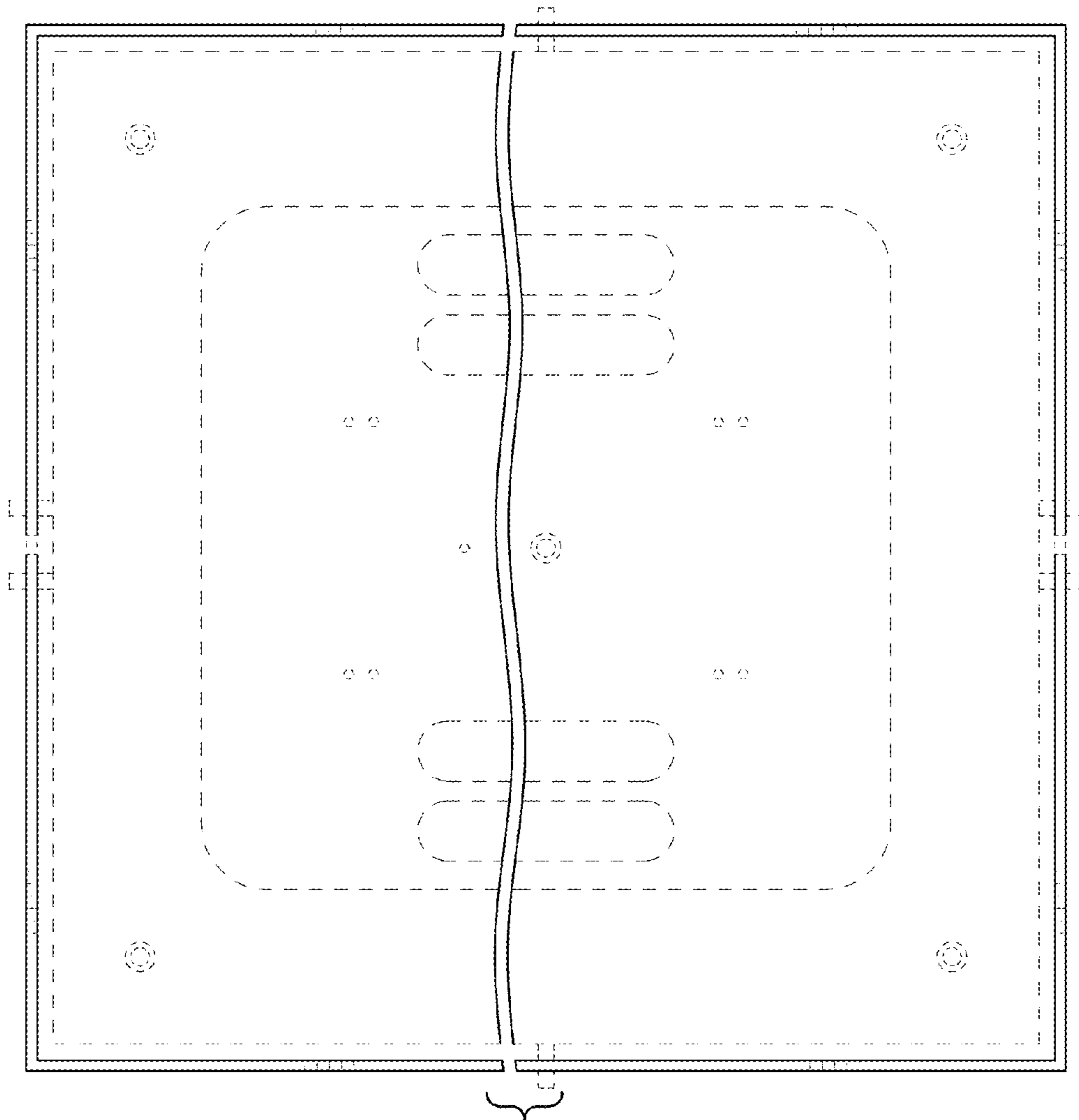


FIG. 7

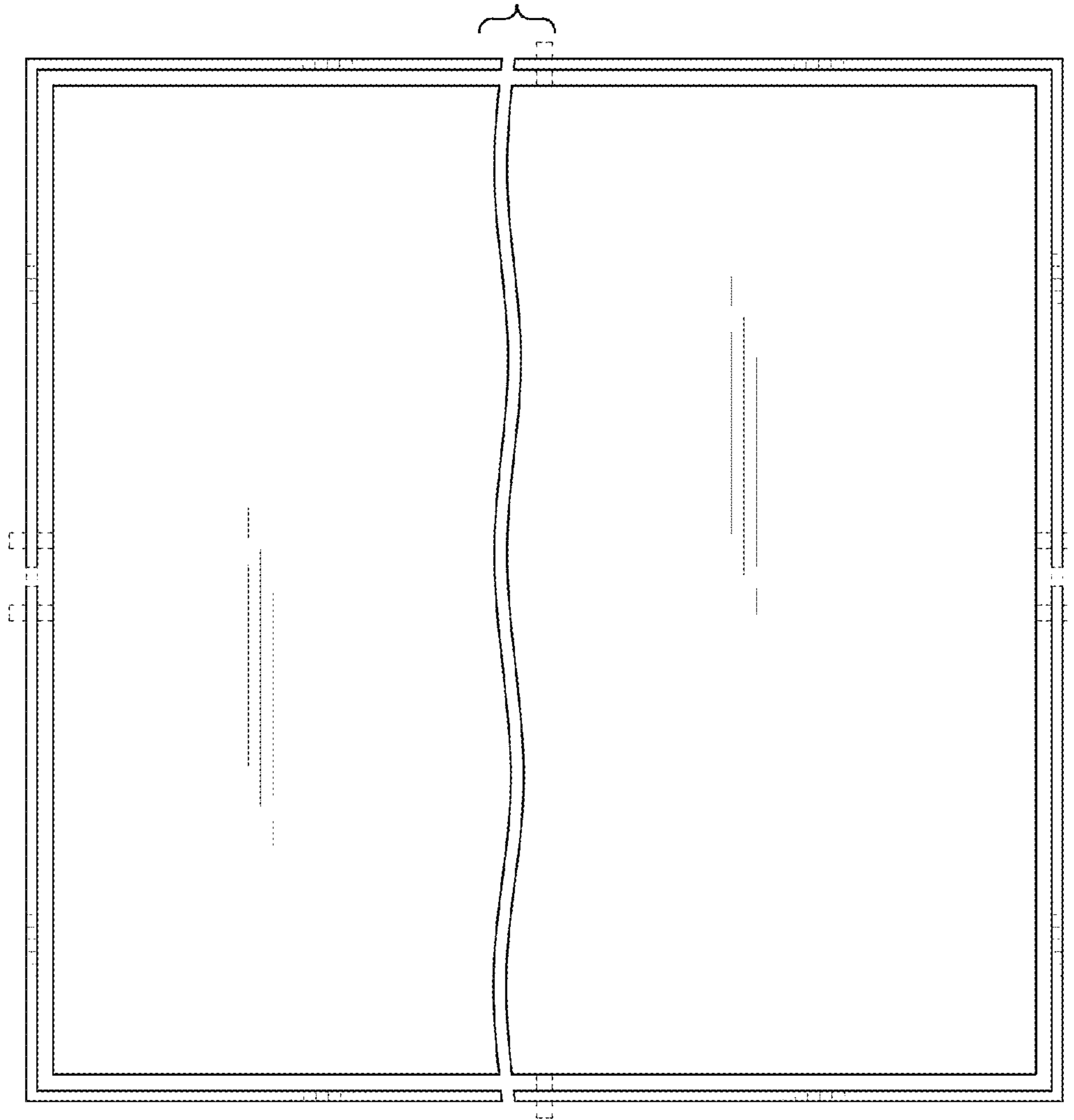


FIG. 8