



US00D686362S

(12) **United States Design Patent**
Melrose

(10) **Patent No.:** **US D686,362 S**
(45) **Date of Patent:** **** Jul. 16, 2013**

(54) **LIGHT REFLECTOR**

(71) Applicant: **Walter Melrose**, Toronto (CA)

(72) Inventor: **Walter Melrose**, Toronto (CA)

(**) Term: **14 Years**

(21) Appl. No.: **29/434,572**

(22) Filed: **Oct. 15, 2012**

(51) **LOC (9) Cl.** **26-99**

(52) **U.S. Cl.**
USPC **D26/118**

(58) **Field of Classification Search**

USPC D26/118, 119, 120, 67, 68, 69, 62,
D26/63, 85, 86, 121, 122, 65, 124, 125, 139,
D26/138, 140, 155, 154, 72, 76, 75, 64, 66,
D26/71, 78, 79, 84, 137, 136, 126, 127, 128,
D26/129, 135, 132, 134, 142, 144, 145, 147,
D26/152, 1, 2, 3, 87, 88, 24, 25, 26, 28, 89,
D26/90, 91, 92; 362/225, 326, 147,
249.01-249.12, 346, 223, 224, 306, 149,
362/362, 217.05, 342, 217.03, 297, 294,
362/235, 329, 476, 555, 218; D13/179, 180

See application file for complete search history.

(56) **References Cited**

U.S. PATENT DOCUMENTS

1,695,061 A * 12/1928 Robinson et al. 362/348
1,770,726 A * 7/1930 Bauersfeld 362/348
D259,518 S * 6/1981 Garcia et al. D26/131
D269,639 S * 7/1983 Eargle et al. D26/88
4,403,277 A * 9/1983 Eargle et al. 362/263

D307,641 S * 5/1990 De'Armond D26/85
4,943,901 A * 7/1990 Baldwin et al. 362/277
D368,974 S * 4/1996 Belisle D26/88
D382,363 S * 8/1997 Haugaard et al. D26/67
D383,565 S * 9/1997 Demshki et al. D26/131
D389,949 S * 1/1998 Walker D26/118
D442,733 S * 5/2001 Minissi et al. D26/118
6,478,454 B1 * 11/2002 Jaffari et al. 362/307
D471,124 S * 3/2003 Brown et al. D10/111
6,575,601 B1 * 6/2003 Sitzema et al. 362/340
D488,880 S * 4/2004 Rahn D26/72
6,733,158 B2 * 5/2004 Fischer et al. 362/404
D494,308 S * 8/2004 Sales D26/123
D516,740 S * 3/2006 Sales D26/123
D544,639 S * 6/2007 Galipeau et al. D26/118
D544,640 S * 6/2007 Sase et al. D26/123
7,380,967 B2 * 6/2008 Reed et al. 362/433
D583,980 S * 12/2008 Guercio D26/88
D587,394 S * 2/2009 Pickard et al. D26/118
8,123,374 B2 * 2/2012 Beghelli 362/147
2003/0185012 A1 * 10/2003 Sitzema et al. 362/328

* cited by examiner

Primary Examiner — Kevin Rudzinski

(57) **CLAIM**

I claim the ornamental design for a light reflector, as shown and described.

DESCRIPTION

FIG. 1 is a front perspective view of the light reflector;
FIG. 2 is a rear perspective view of the light reflector;
FIG. 3 is a side view of the light reflector;
FIG. 4 is a front view of the light reflector; and,
FIG. 5 is a rear view of the light reflector.

1 Claim, 5 Drawing Sheets

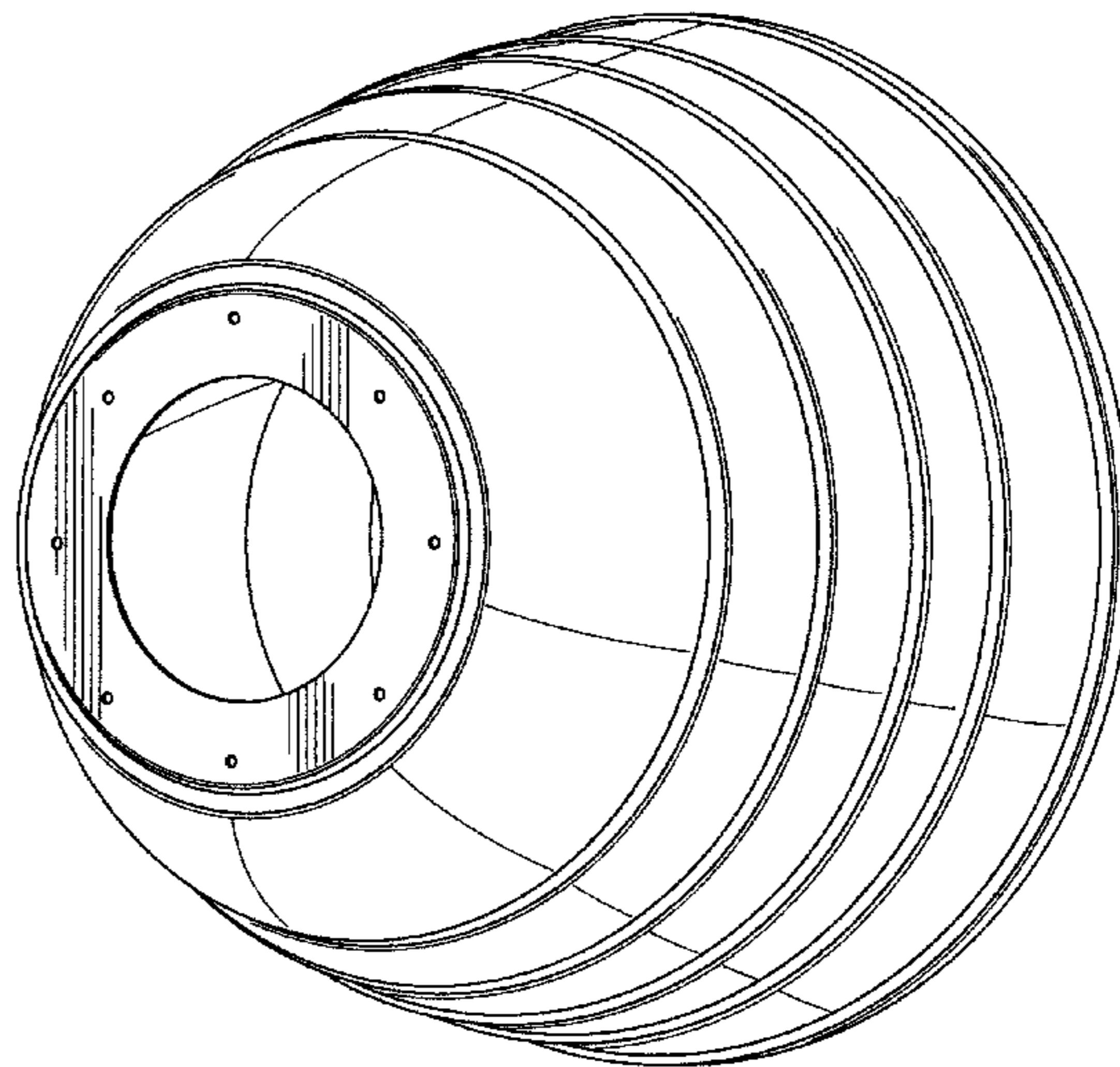
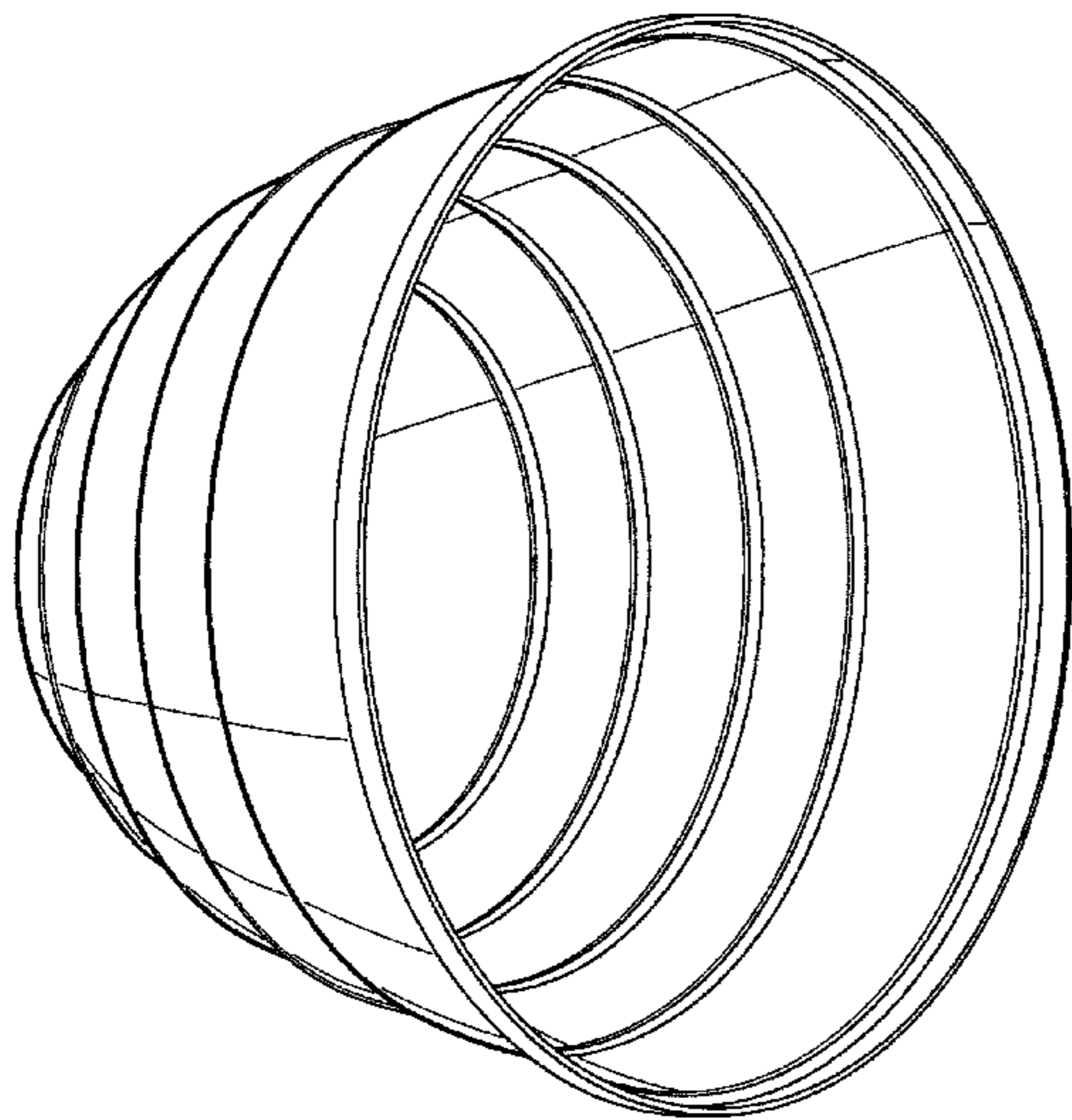


Fig.1

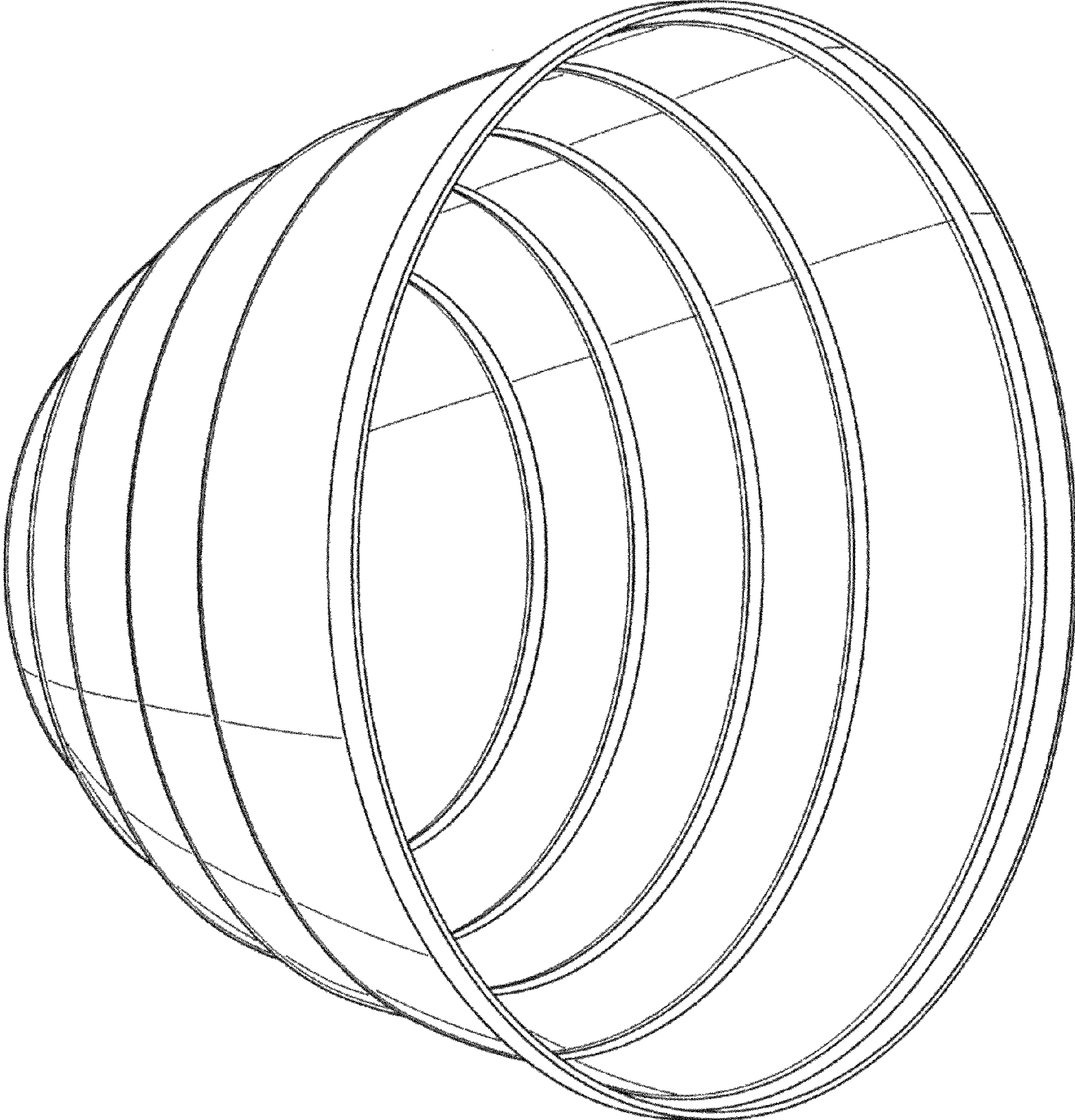


Fig.2

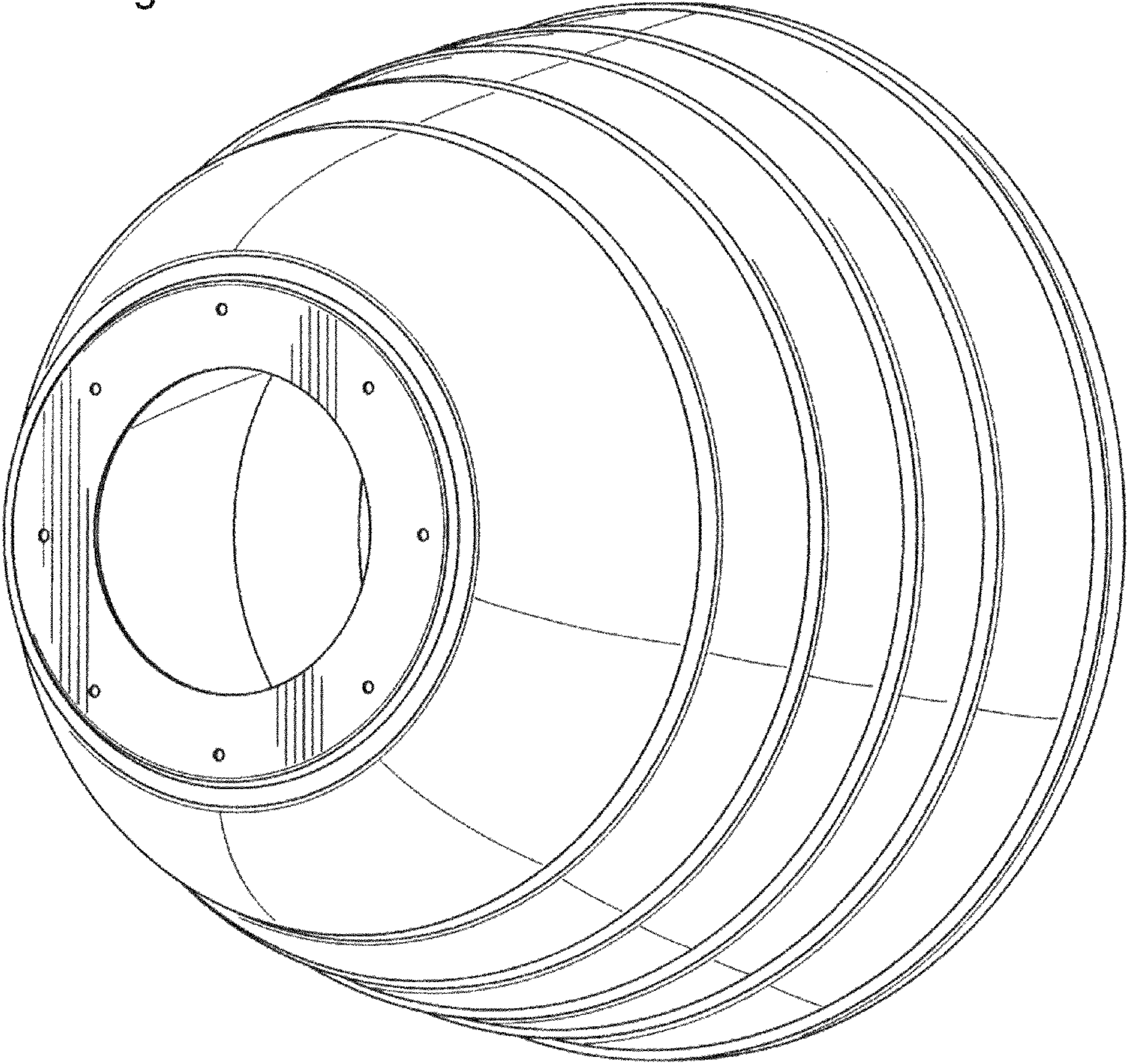


Fig.3

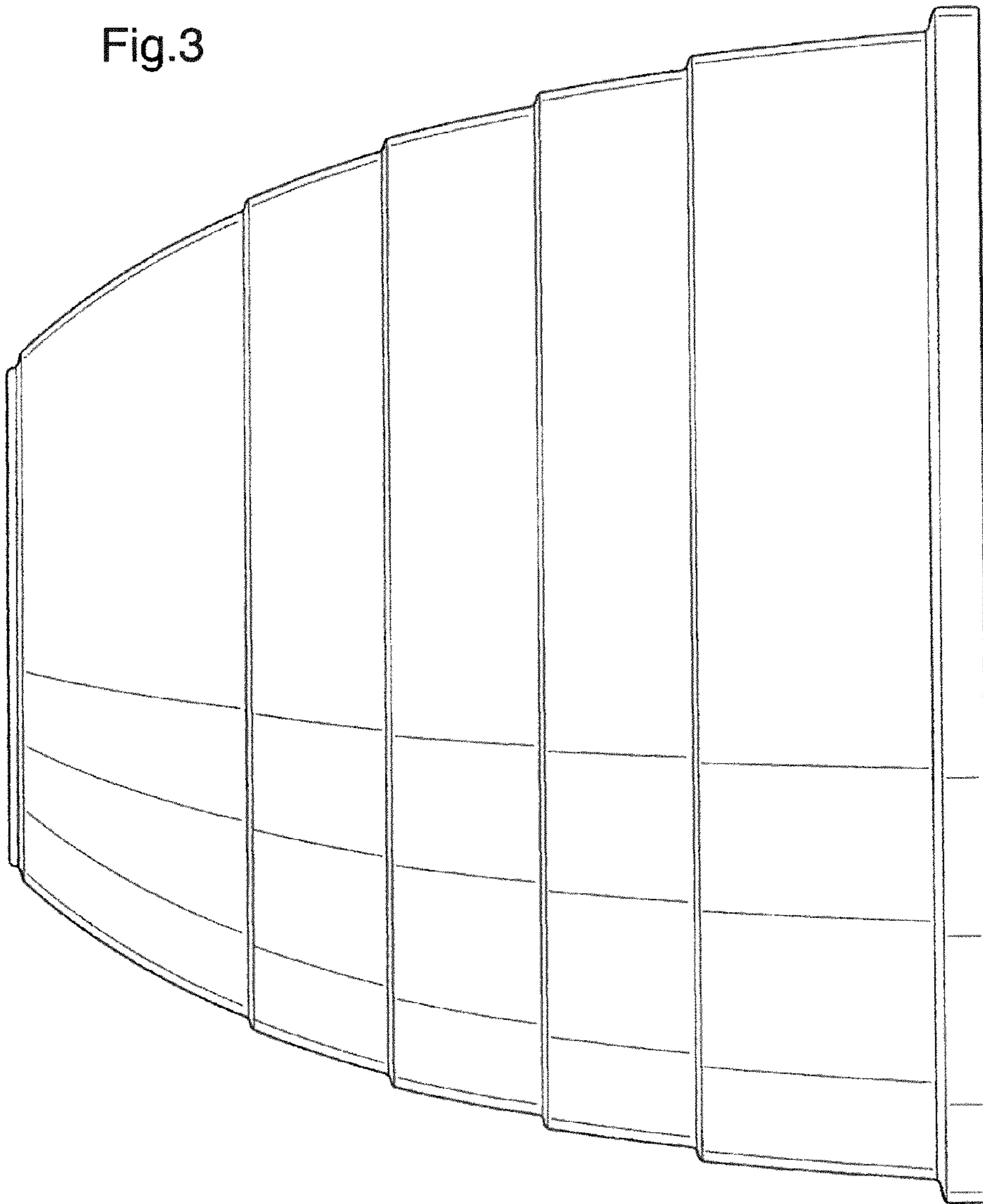


Fig.4

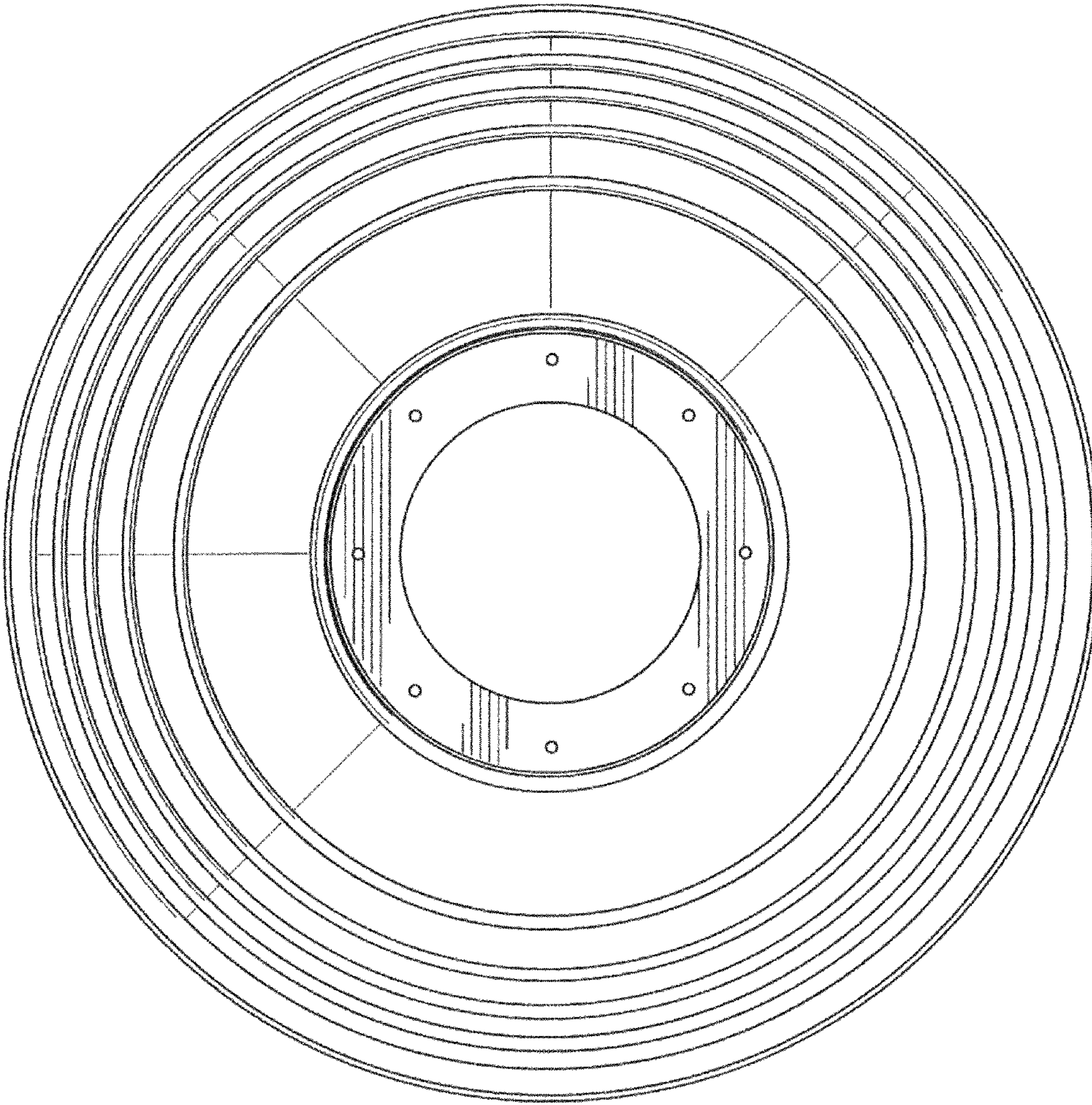


Fig.5

