



US00D686355S

(12) **United States Design Patent**
Morgenstern

(10) **Patent No.:** **US D686,355 S**

(45) **Date of Patent:** **** Jul. 16, 2013**

(54) **HEADLIGHT FOR A VEHICLE**

Primary Examiner — Marcus Jackson

(75) Inventor: **Sebastian Morgenstern**, Munich (DE)

(74) *Attorney, Agent, or Firm* — Crowell & Moring LLP

(73) Assignee: **Bayerische Motoren Werke Aktiengesellschaft**, Munich (DE)

(57) **CLAIM**

The ornamental design for a headlight for a vehicle, as shown and described.

(**) Term: **14 Years**

(21) Appl. No.: **29/412,803**

DESCRIPTION

(22) Filed: **Feb. 8, 2012**

This application contains subject matter related to the following co-pending U.S. design patent applications:

(30) **Foreign Application Priority Data**

Aug. 9, 2011 (DE) 402011003969

Application Ser. No. 29/412,809, filed herewith and entitled “Vehicle, Toy, and/or Replicas Thereof”;

(51) **LOC (9) Cl.** **26-06**

Application Ser. No. 29/412,814, filed herewith and entitled “Vehicle, Toy, and/or Replicas Thereof”; and

(52) **U.S. Cl.**
USPC **D26/28**

Application Ser. No. 29/412,805, filed herewith and entitled “Headlight for a Vehicle”.

(58) **Field of Classification Search**
USPC D26/28–36; 362/459–468, 475–478,
362/485–487

FIG. 1 is a right perspective view of a first embodiment of a headlight for a vehicle according to my design;

See application file for complete search history.

FIG. 2 is a left perspective view thereof;

(56) **References Cited**

FIG. 3 is a front view thereof;

U.S. PATENT DOCUMENTS

FIG. 4 is a right side view thereof; and

D508,136 S *	8/2005	Pfeiffer	D26/28
D518,581 S *	4/2006	Osawa	D26/28
D528,231 S *	9/2006	Ikeda	D26/28
D535,409 S *	1/2007	Yamaguchi	D26/28
D538,956 S *	3/2007	Ishii	D26/28
D544,614 S *	6/2007	Markefka	D26/28
D561,358 S *	2/2008	Tachibana	D26/28

FIG. 5 is a top view thereof.

FOREIGN PATENT DOCUMENTS

WO DM/070264 12/2008

FIG. 6 is a left perspective view of a second embodiment of a headlight for a vehicle showing my new design, with the headlight for a vehicle for the opposite side of the vehicle being depicted in the first embodiment;

FIG. 7 is a right perspective view thereof;

FIG. 8 is a front view thereof;

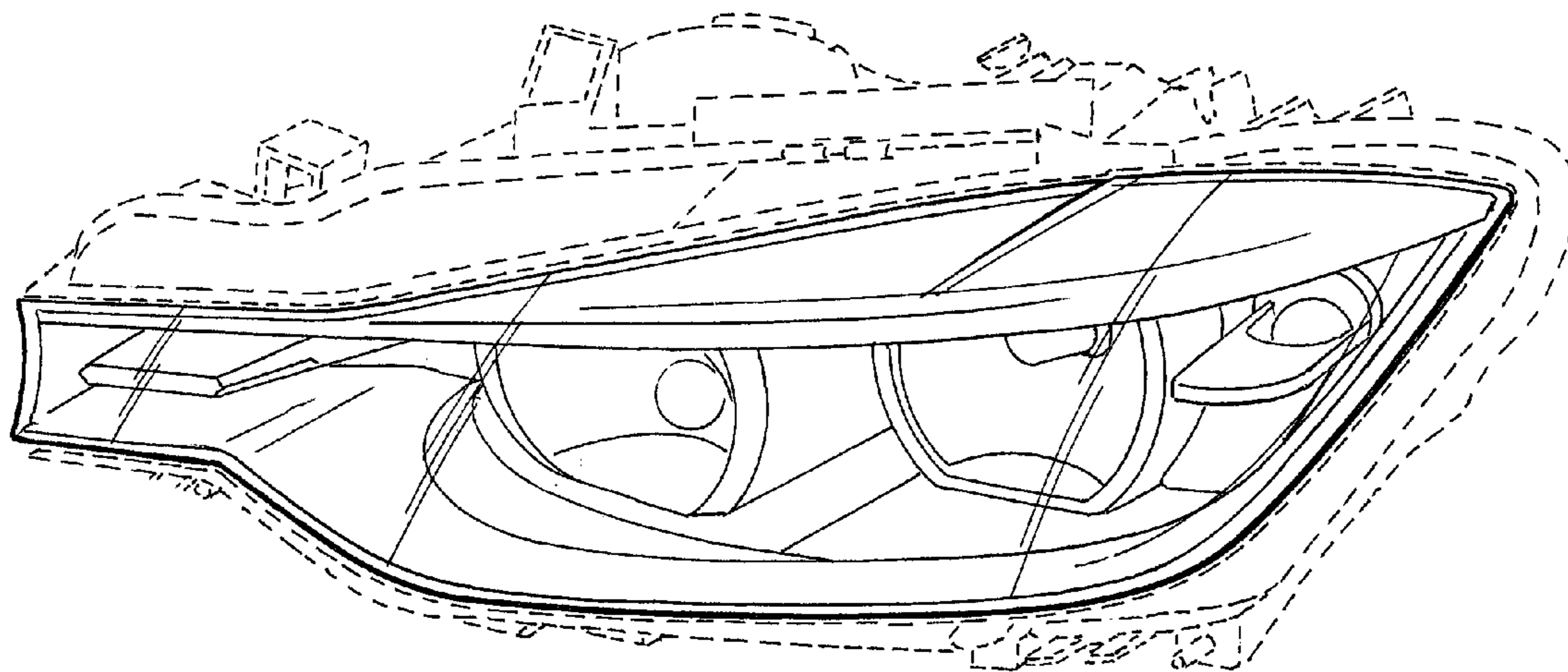
FIG. 9 is a left side view thereof; and,

FIG. 10 is a top view thereof.

The broken lines are for illustrative purposes only and form no part of the claimed design. Also enclosed is a set of photographs of an embodiment of the design.

1 Claim, 6 Drawing Sheets

* cited by examiner



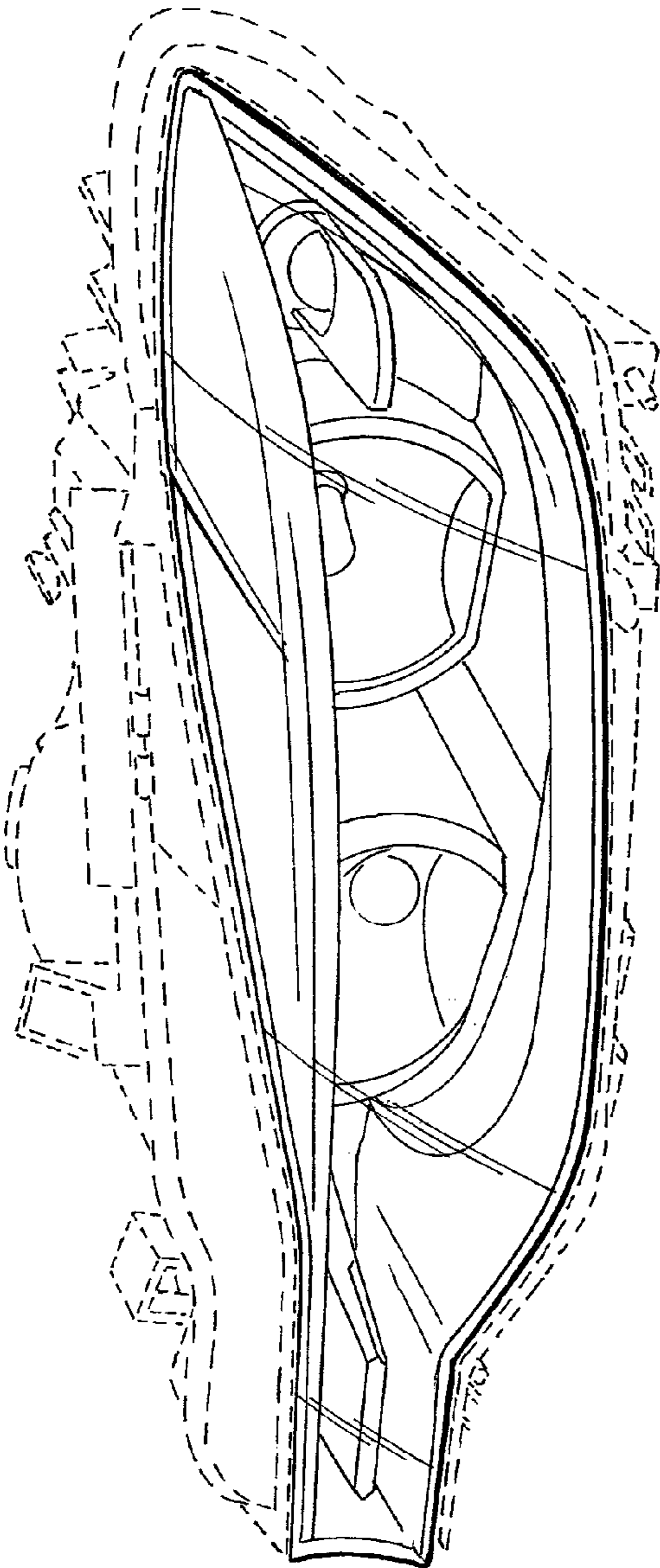


FIG. 1

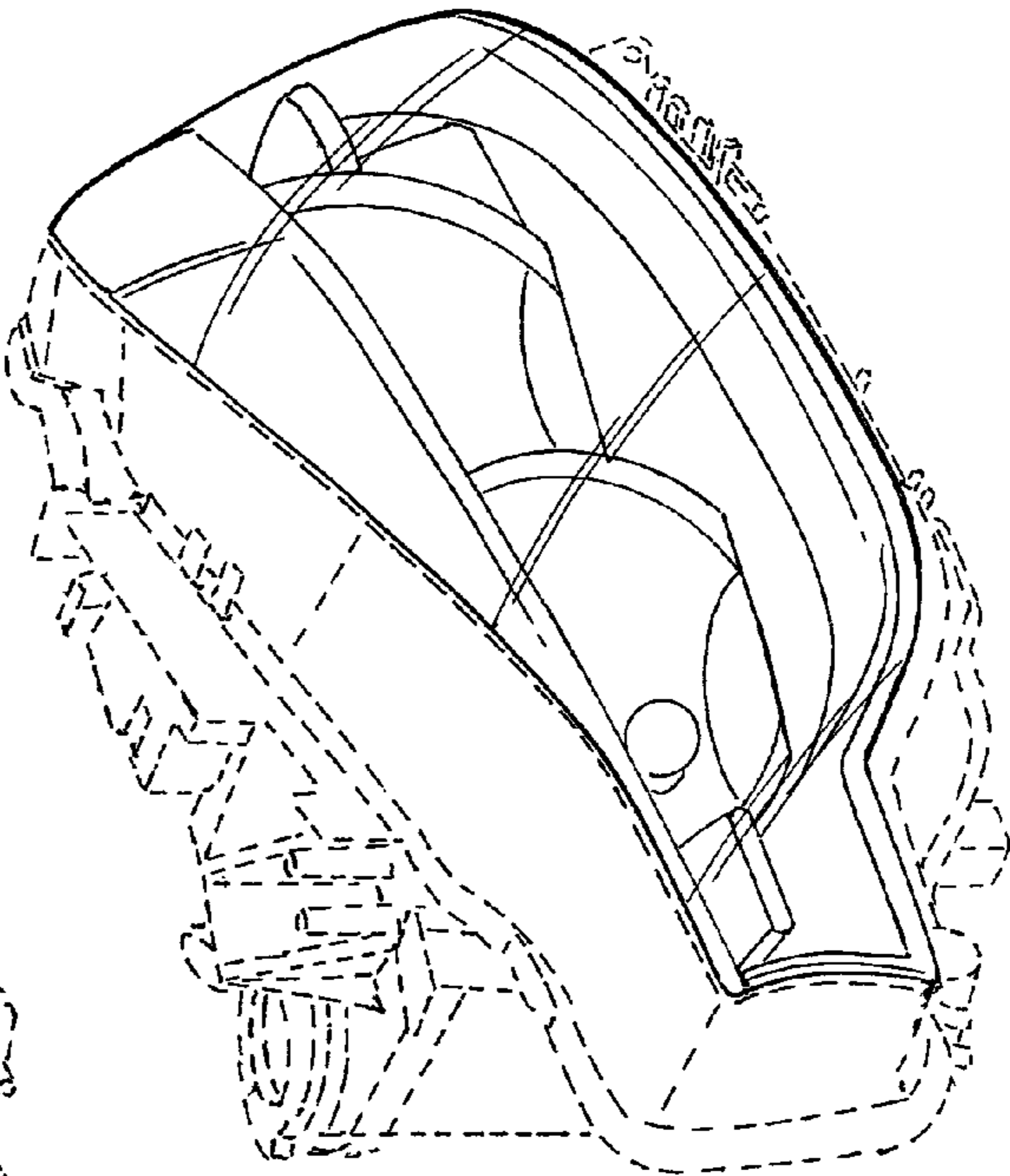


FIG. 2

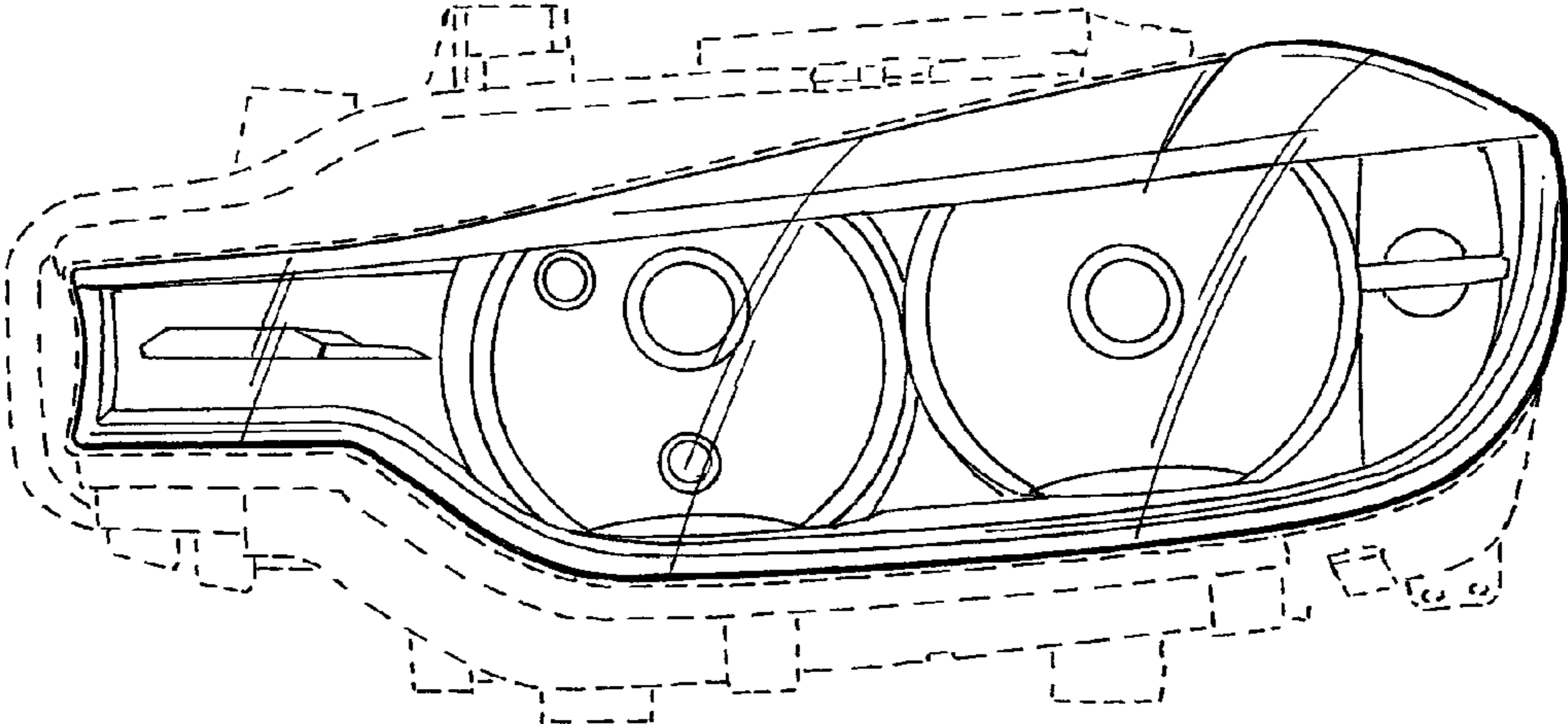


FIG. 3

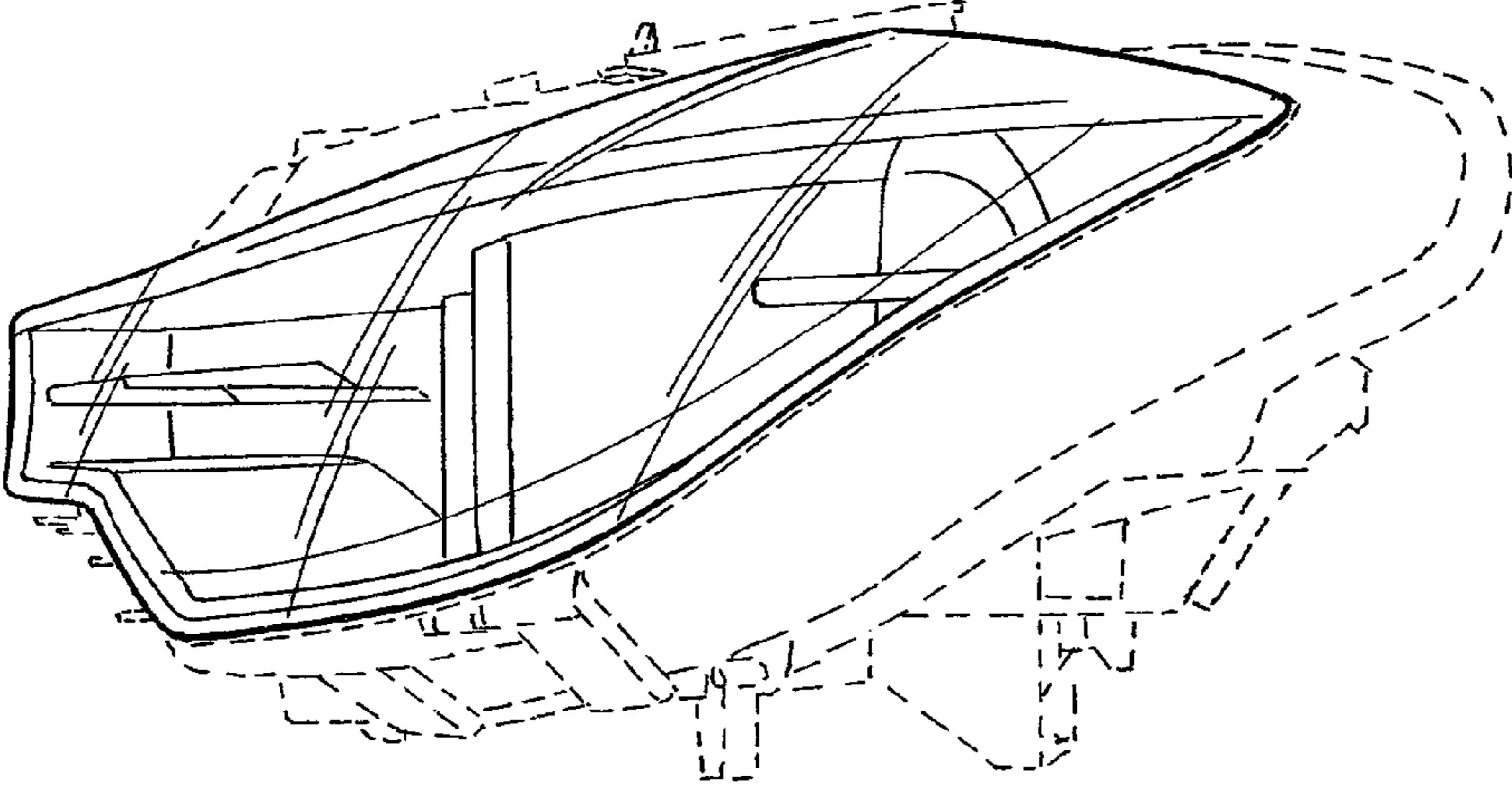


FIG. 4

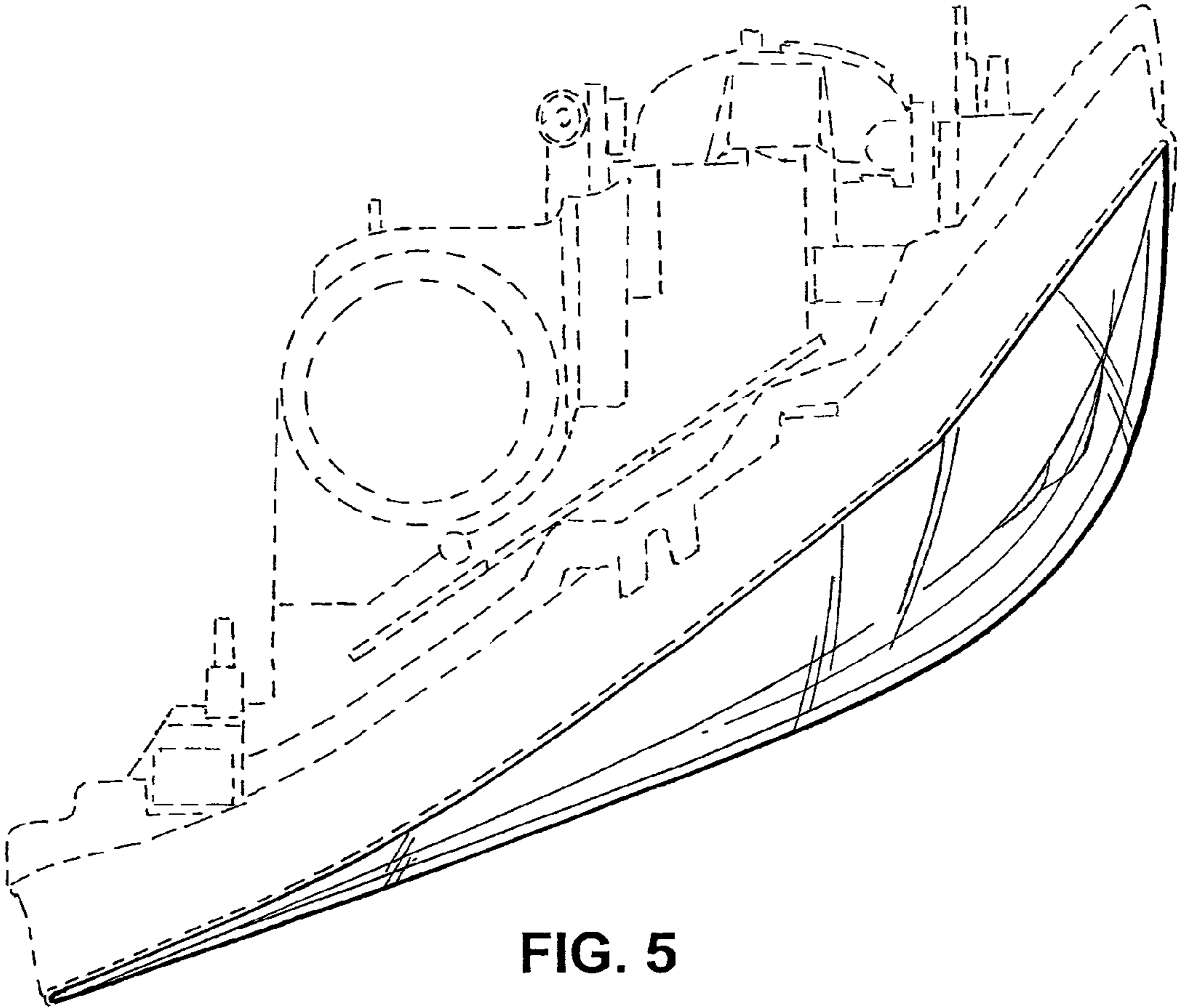


FIG. 5

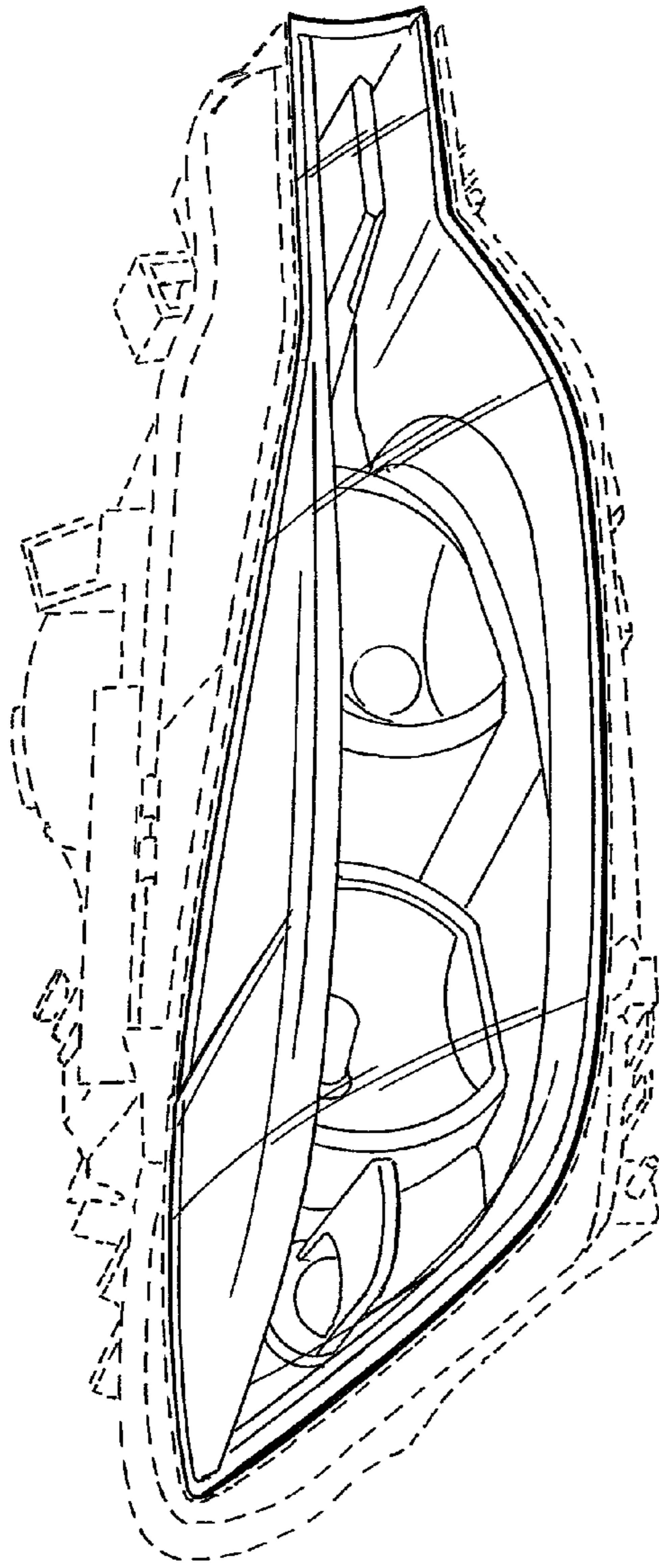


FIG. 6

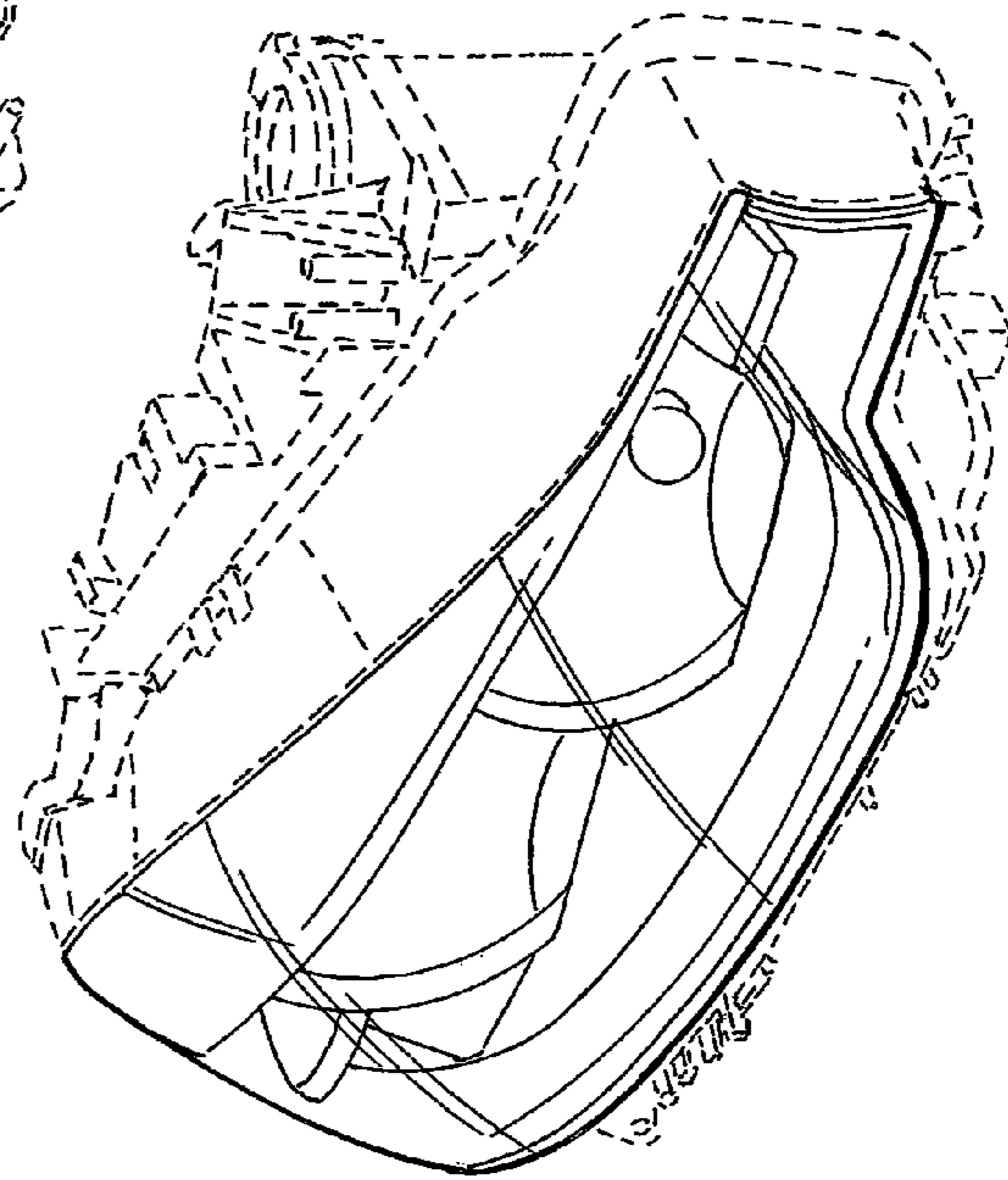


FIG. 7

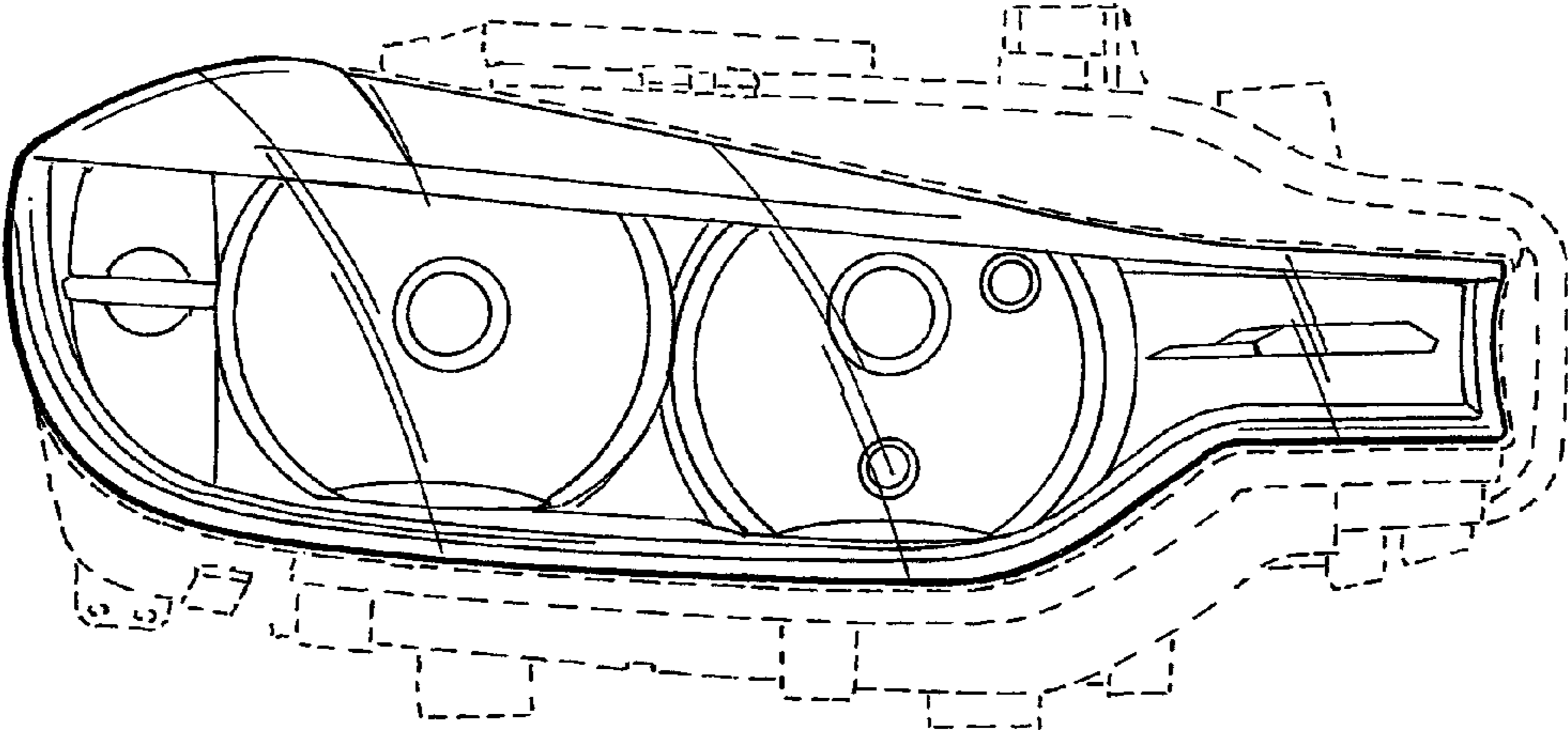


FIG. 8

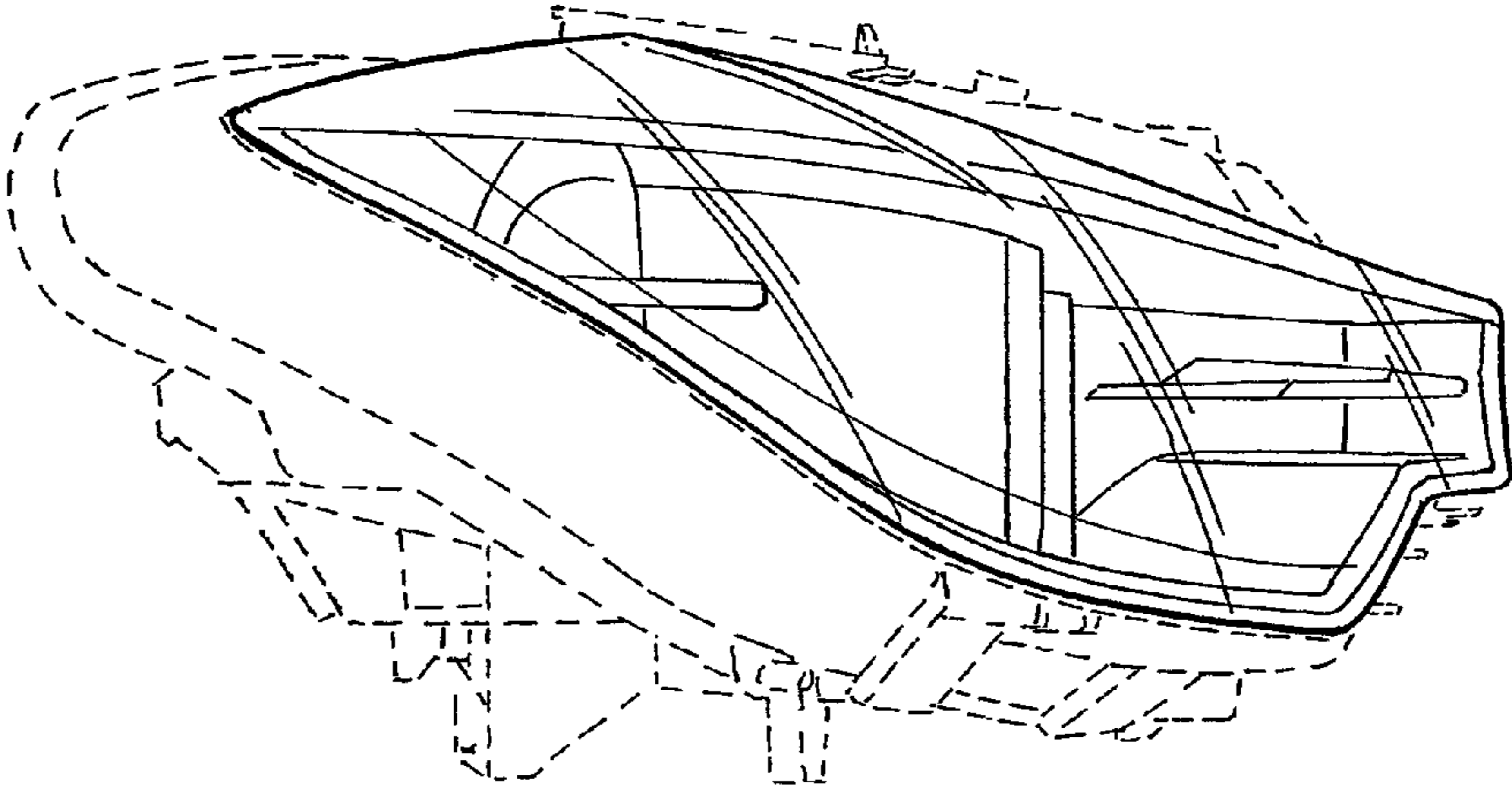


FIG. 9

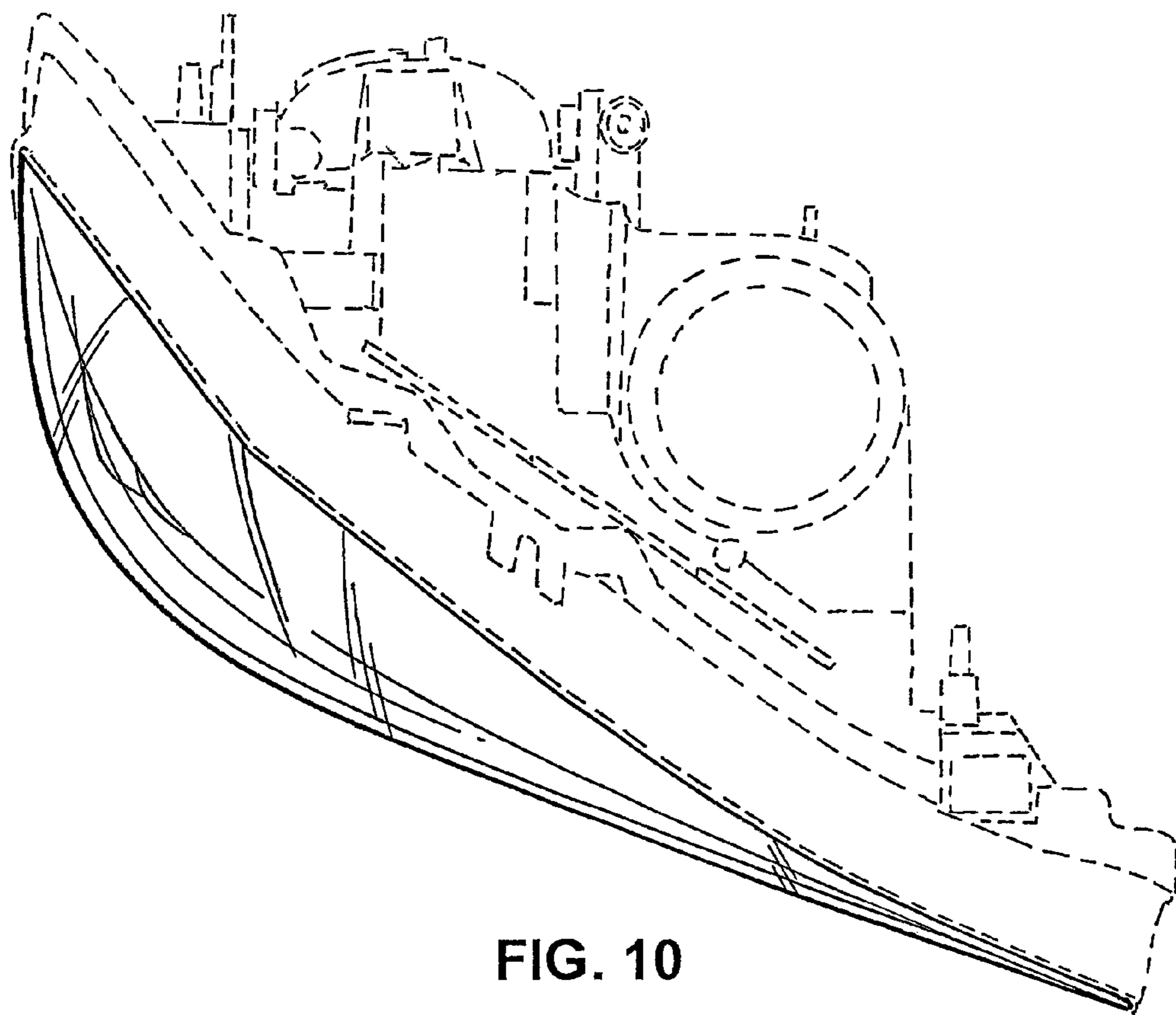


FIG. 10