



US00D686347S

(12) **United States Design Patent**  
**Raivio**

(10) **Patent No.:** **US D686,347 S**

(45) **Date of Patent:** **\*\* Jul. 16, 2013**

(54) **PANEL WITH INTEGRAL CONNECTORS**

(75) Inventor: **Johannes Raivio**, Mjölby (SE)

(73) Assignee: **Aqvis Environment Ltd**, Odeshog (SE)

(\*\*) Term: **14 Years**

(21) Appl. No.: **29/384,764**

(22) Filed: **Feb. 3, 2011**

(30) **Foreign Application Priority Data**

Aug. 4, 2010 (SE) ..... 2010/0369

(51) **LOC (9) Cl.** ..... **25-01**

(52) **U.S. Cl.**

USPC ..... **D25/138**

(58) **Field of Classification Search**

USPC ..... D25/38; 52/590.1, 586.2, 536, 539

See application file for complete search history.

(56) **References Cited**

U.S. PATENT DOCUMENTS

5,533,312 A *	7/1996	Mihalcheon	.....	52/309.9
D487,316 S *	3/2004	Suwanda et al.	.....	D25/138
D523,970 S *	6/2006	Lapp et al.	.....	D25/138

\* cited by examiner

*Primary Examiner* — Doris Clark

(74) *Attorney, Agent, or Firm* — Birch, Stewart, Kolasch & Birch, LLP

(57) **CLAIM**

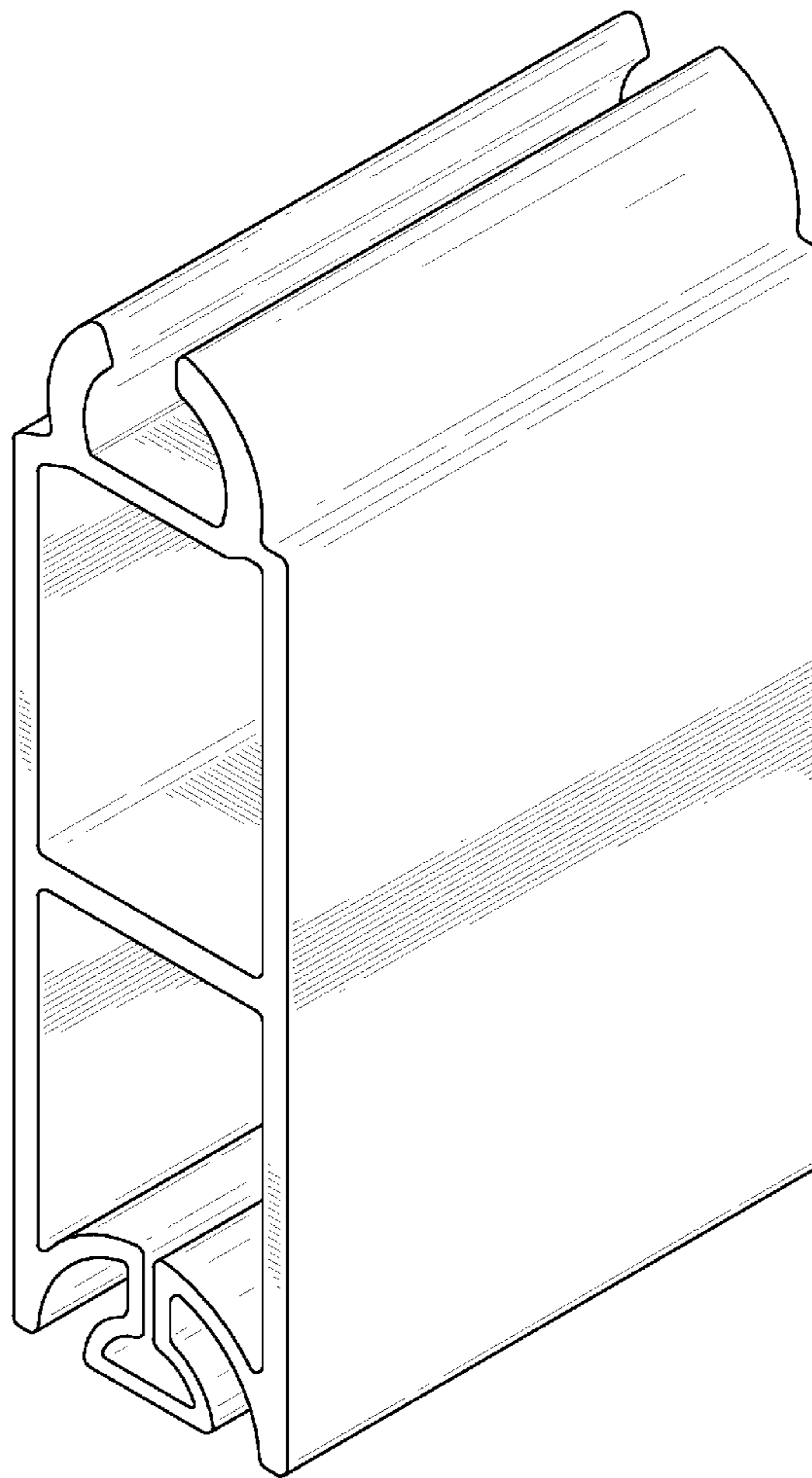
The ornamental design for a panel with integral connectors, as shown and described.

**DESCRIPTION**

FIG. 1 is a front, right perspective view of a panel with integral connectors showing my new design; and, FIG. 2 is a front view thereof.

The left side view and the right side view are the same. The rear view is a mirror image of the front view. A cross-section of panel with integral connectors is the same from the front to the rear.

**1 Claim, 2 Drawing Sheets**



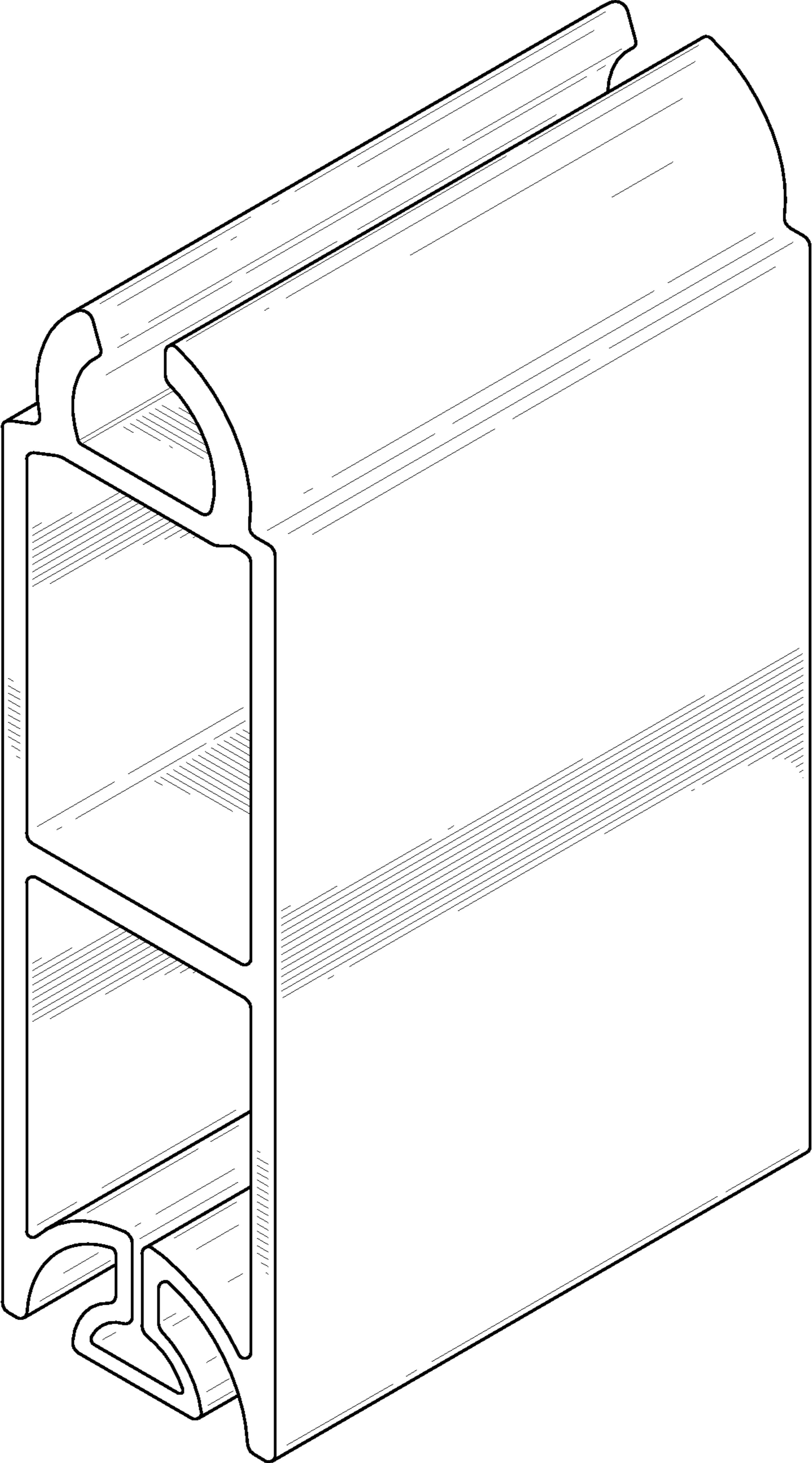


FIG. 1

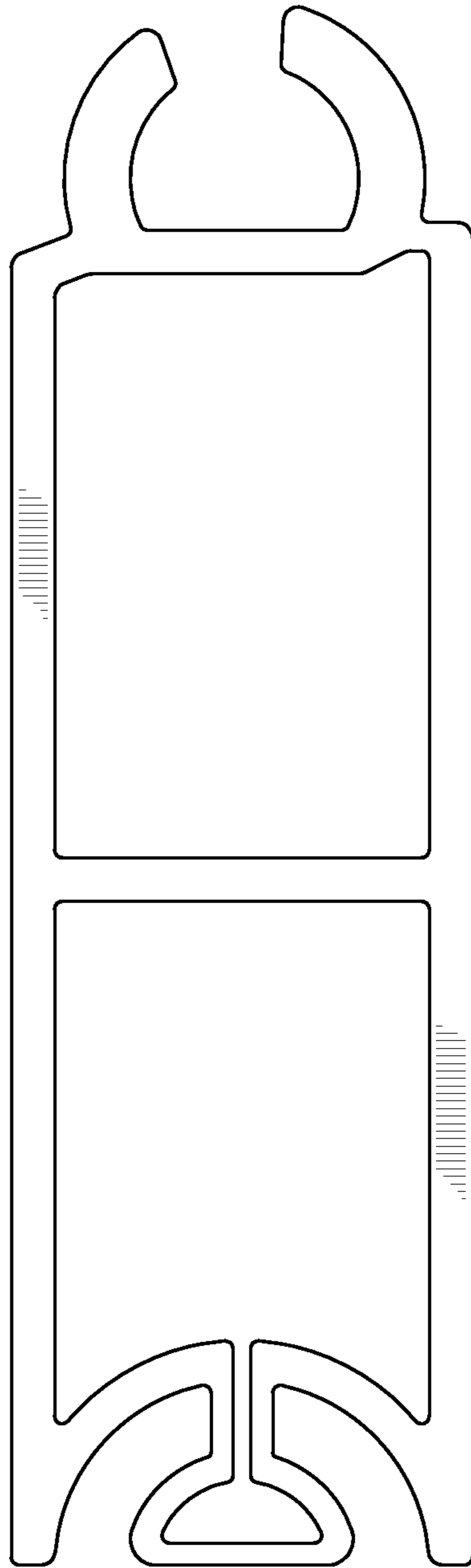


FIG. 2