



US00D686346S

(12) **United States Design Patent**
Riccobene et al.

(10) **Patent No.:** **US D686,346 S**
(45) **Date of Patent:** **** Jul. 16, 2013**

(54) **LANDSCAPE STONE**

(71) Applicant: **Keystone Retaining Wall Systems LLC**, Minneapolis, MN (US)

(72) Inventors: **Thomas S. Riccobene**, Albuquerque, NM (US); **Robert A. MacDonald**, Plymouth, MN (US)

(73) Assignee: **Keystone Retaining Wall Systems LLC**, Minneapolis, MN (US)

(**) Term: **14 Years**

(21) Appl. No.: **29/440,563**

(22) Filed: **Dec. 21, 2012**

(51) **LOC (9) Cl.** **25-01**

(52) **U.S. Cl.**
USPC **D25/113**

(58) **Field of Classification Search**
USPC D25/102-118, 119, 138, 148, 152, D25/153, 156; D21/484-491, 499-504; 405/16, 405/17, 33, 35, 286; 52/503-505, 574, 575, 52/596-612, 435, 475, 19; 404/29-31, 34; D8/1
See application file for complete search history.

(56) **References Cited**

U.S. PATENT DOCUMENTS

2,605,681 A	8/1952	Trief	
D231,926 S	6/1974	Appleton	
4,217,740 A	8/1980	Assanti	
D293,822 S *	1/1988	Scheiwiller D25/113
5,119,587 A	6/1992	Waltz	
5,186,574 A	2/1993	Tavares	

(Continued)

FOREIGN PATENT DOCUMENTS

DE	4232300	3/1994
DE	4333942	4/1995
DE	10001967	7/2001
WO	0153612	7/2001

OTHER PUBLICATIONS

Keystone Retaining Wall Systems, Inc., A Contech Company, *Imagine the Possibilities*, 2007, pp. 2-23.

(Continued)

Primary Examiner — Anhdao Doan

(74) *Attorney, Agent, or Firm* — Greer, Burns & Crain, Ltd.

(57) **CLAIM**

The ornamental design for a landscape stone, as shown and described.

DESCRIPTION

FIG. 1 is a perspective view of a landscape stone showing our new design.

FIG. 2 is a top plan view thereof.

FIG. 3 is a bottom plan view thereof.

FIG. 4 is a front side elevational view thereof.

FIG. 5 is a back side elevational view thereof.

FIG. 6 is a left end elevational view thereof.

FIG. 7 is a right end elevational view thereof.

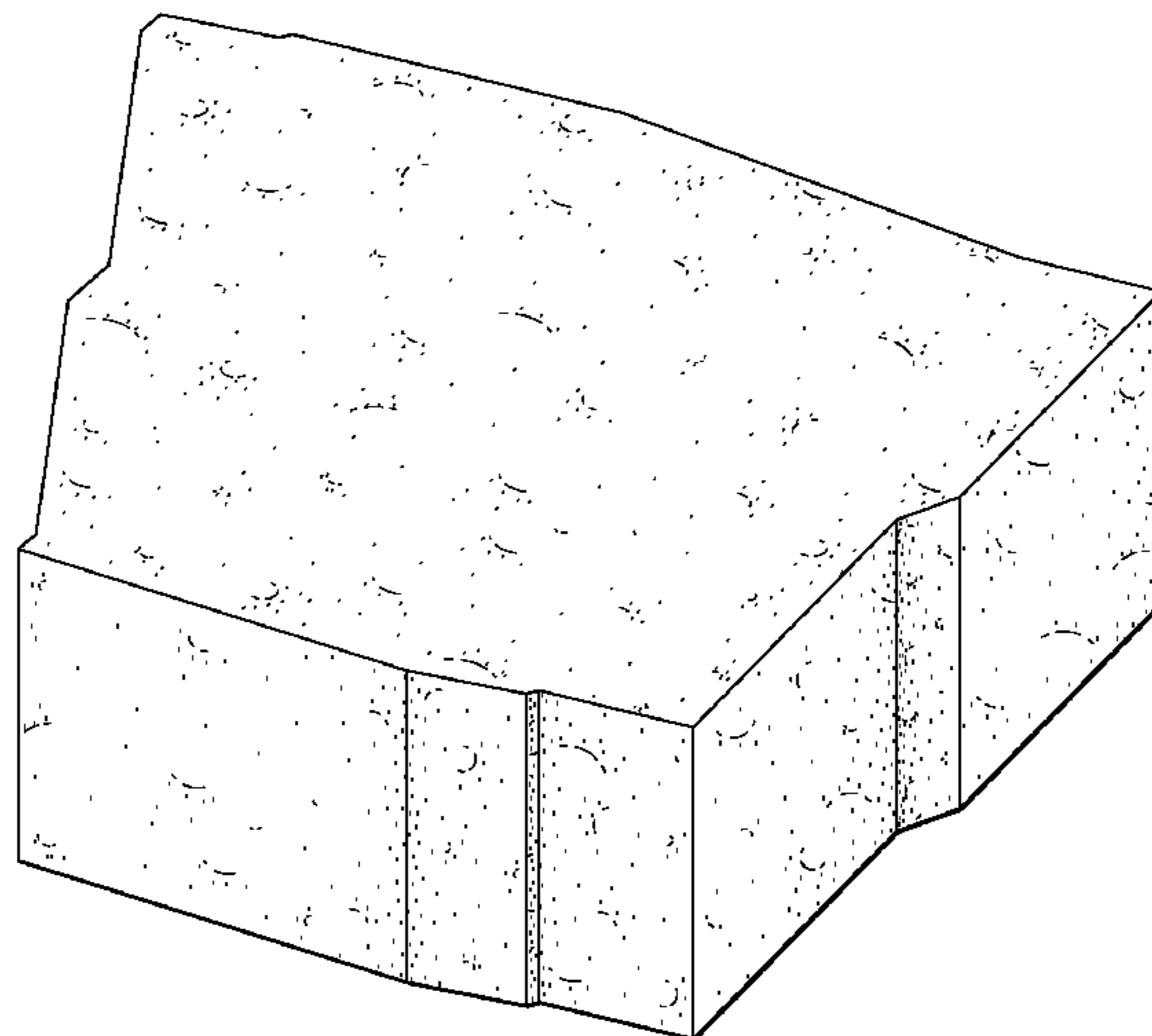
FIG. 8 is a plan view of an example condition of use of the landscape stone illustrated in FIGS. 1-7 in combination with other landscape stones of the same design forming an edger row.

FIG. 9 is a plan view of an example condition of use of the landscape stone illustrated FIGS. 1-7 in combination with other landscape stones of the same design forming a surface covering; and,

FIG. 10 is a plan view of an example condition of use of the landscape stone illustrated in FIGS. 1-7 in combination with other landscape stones of the same design forming an edger ring.

The features shown in broken lines in FIGS. 8-10 are directed to environment and are for illustrative purposes only; the broken lines form no part of the claimed design.

1 Claim, 5 Drawing Sheets



US D686,346 S

Page 2

U.S. PATENT DOCUMENTS

D343,238 S 1/1994 Hair
D355,340 S 2/1995 Scott, Jr. et al.
5,414,956 A 5/1995 Kheradpir
D359,367 S * 6/1995 Ciccarello et al. D25/113
5,441,364 A 8/1995 Dressler
5,486,066 A 1/1996 Hagenah
5,524,396 A 6/1996 Lalvani
5,588,775 A 12/1996 Hagenah
5,597,591 A 1/1997 Hagenah
D397,230 S * 8/1998 Forsberg D25/114
D401,356 S * 11/1998 Adam D25/113
D409,312 S * 5/1999 Staten et al. D25/113
5,945,181 A 8/1999 Fisher
D426,897 S 6/2000 Abbracati
D429,343 S 8/2000 Milot
D430,308 S * 8/2000 Dawson D25/113
D431,870 S 10/2000 Ziegler, Jr.
D431,871 S 10/2000 Abbracati
6,263,633 B1 7/2001 Hagenah
RE37,694 E 5/2002 Riccobene
D471,990 S 3/2003 Riccobene
D480,819 S 10/2003 Barbier

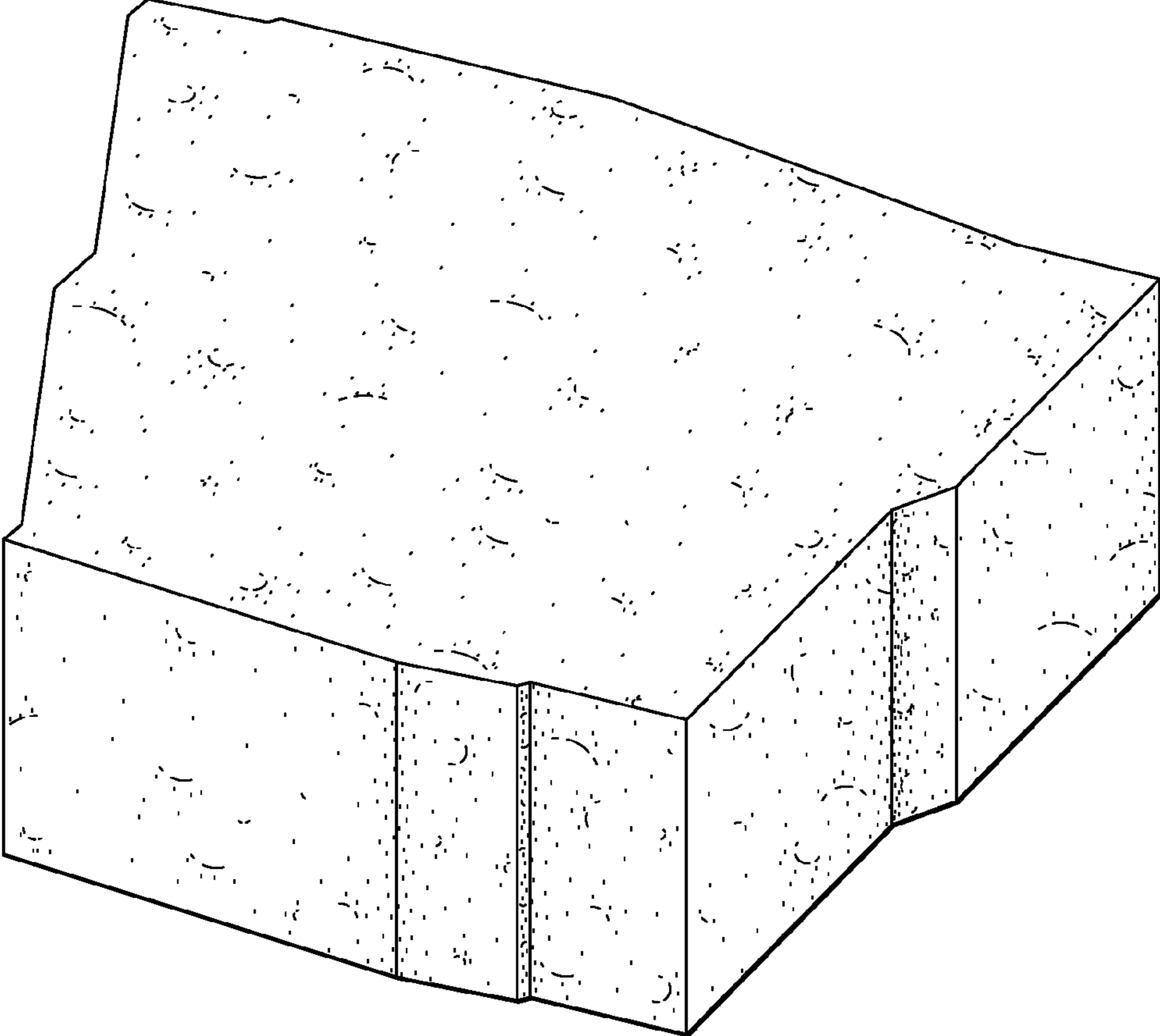
6,668,484 B2 12/2003 Riccobene
6,679,656 B1 1/2004 Manthei
6,881,463 B2 4/2005 Riccobene
D536,058 S 1/2007 Riccobene
D537,501 S 2/2007 Riccobene
D586,925 S 2/2009 Riccobene
2005/0166517 A1 8/2005 Manthei

OTHER PUBLICATIONS

Lowe's, Concrete Landscaping Products and Inspiring Projects, Oldcastle, 2002, pp. 2-22.
Pavestone Co., Retaining Walls You can install yourself !, 2002, pp. 1-6.
Touches Top Soil, Mulch, Decorative Rock, Patio Stone, Retaining Wall and Edging, 1999.
Classic Edge by Rockwood, Jan. 27, 1997, Rockwood Retaining Walls, Inc.
Beautiful Edgers You Can Install Yourself, 2002, Pavestone Co.
Decorative Landscape Systems, Pavestone Co, 2000.

* cited by examiner

FIG. 1



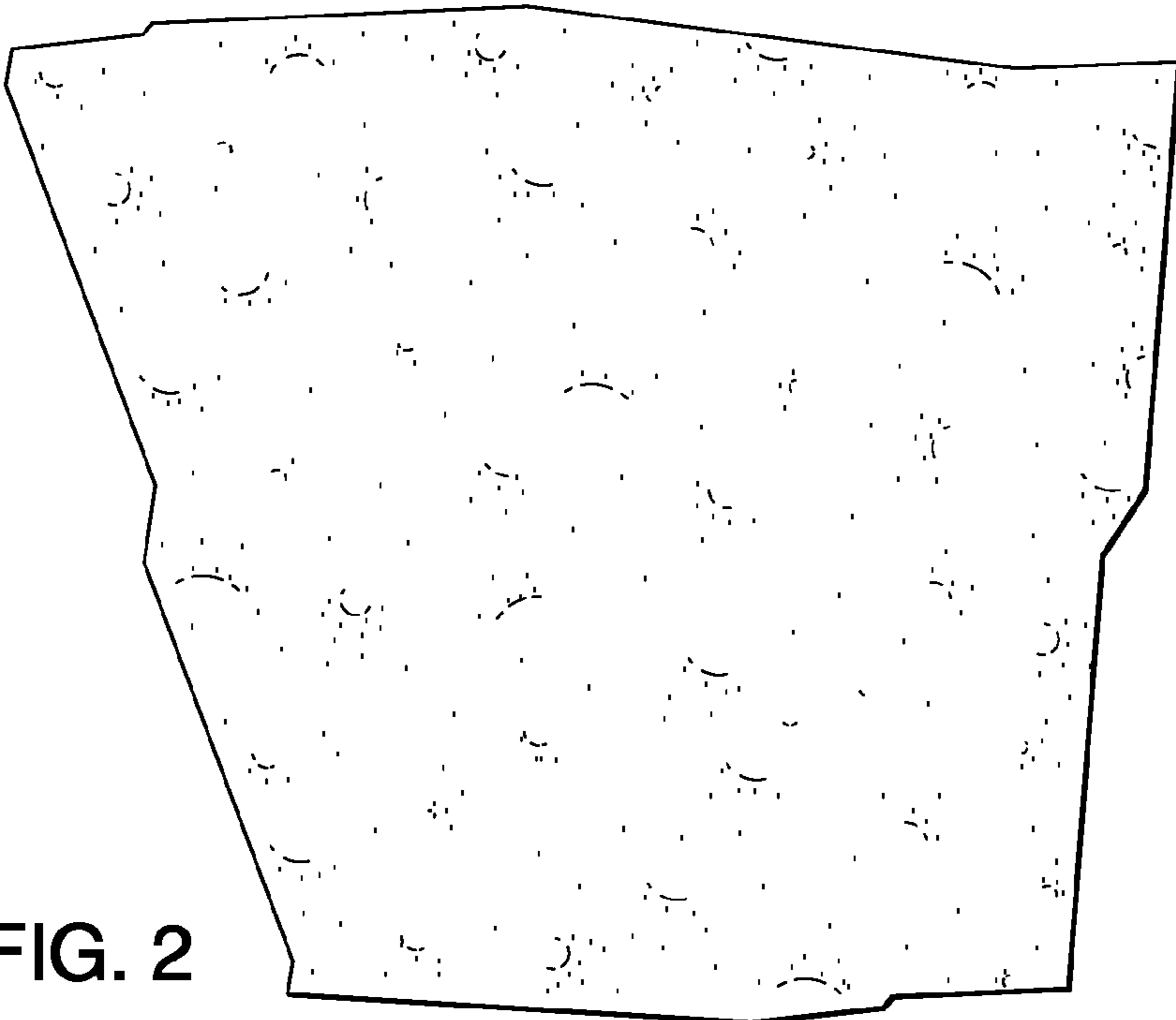


FIG. 2

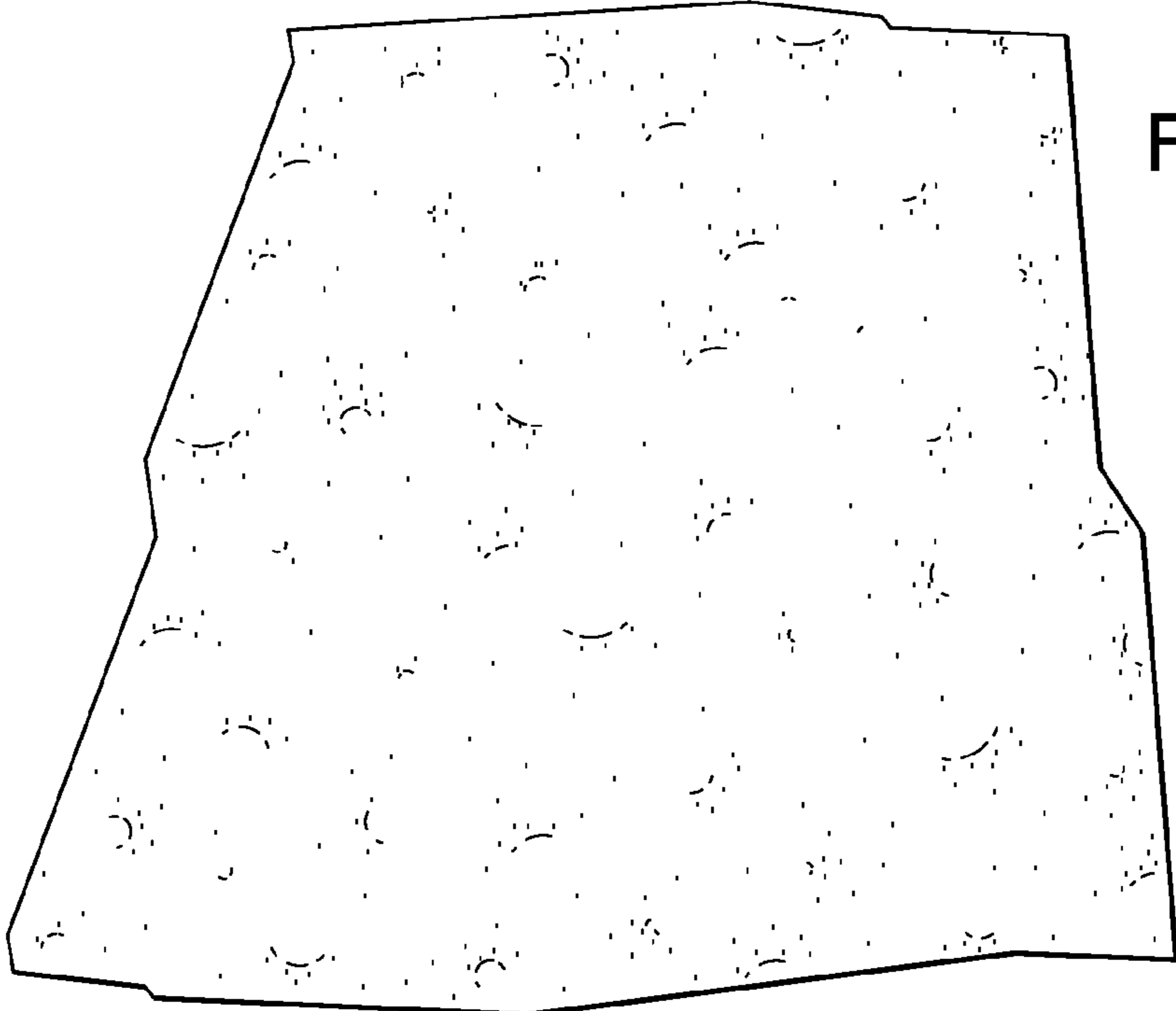


FIG. 3

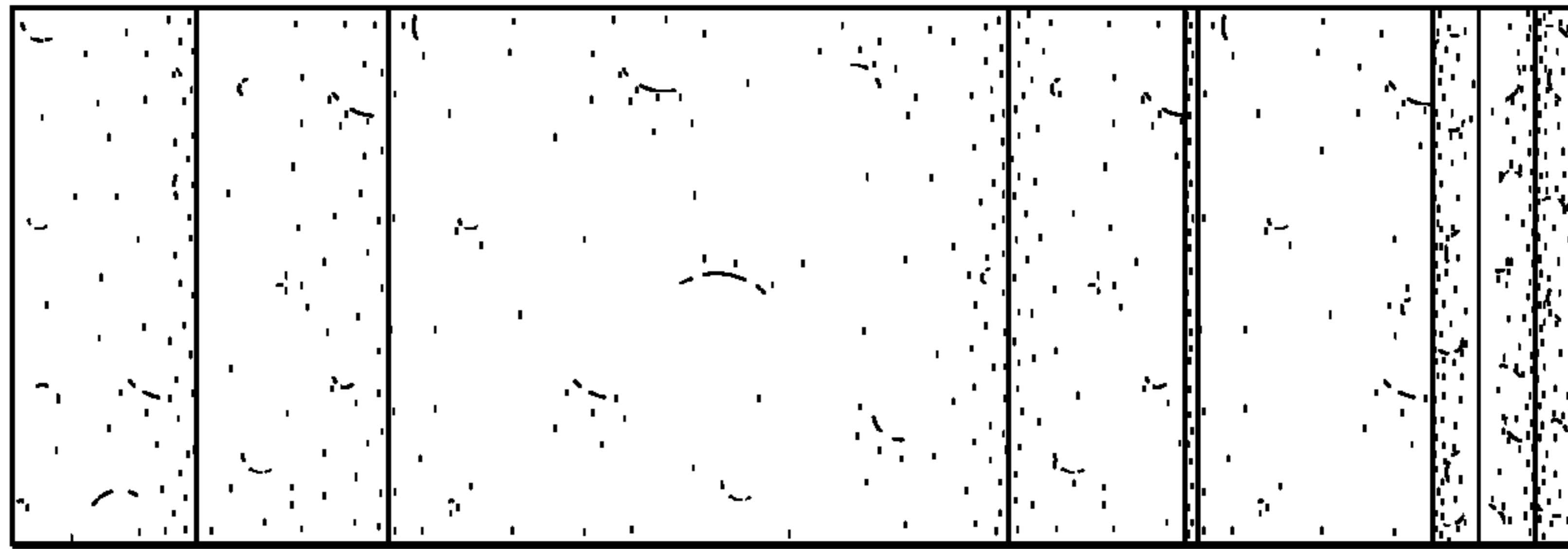


FIG. 4

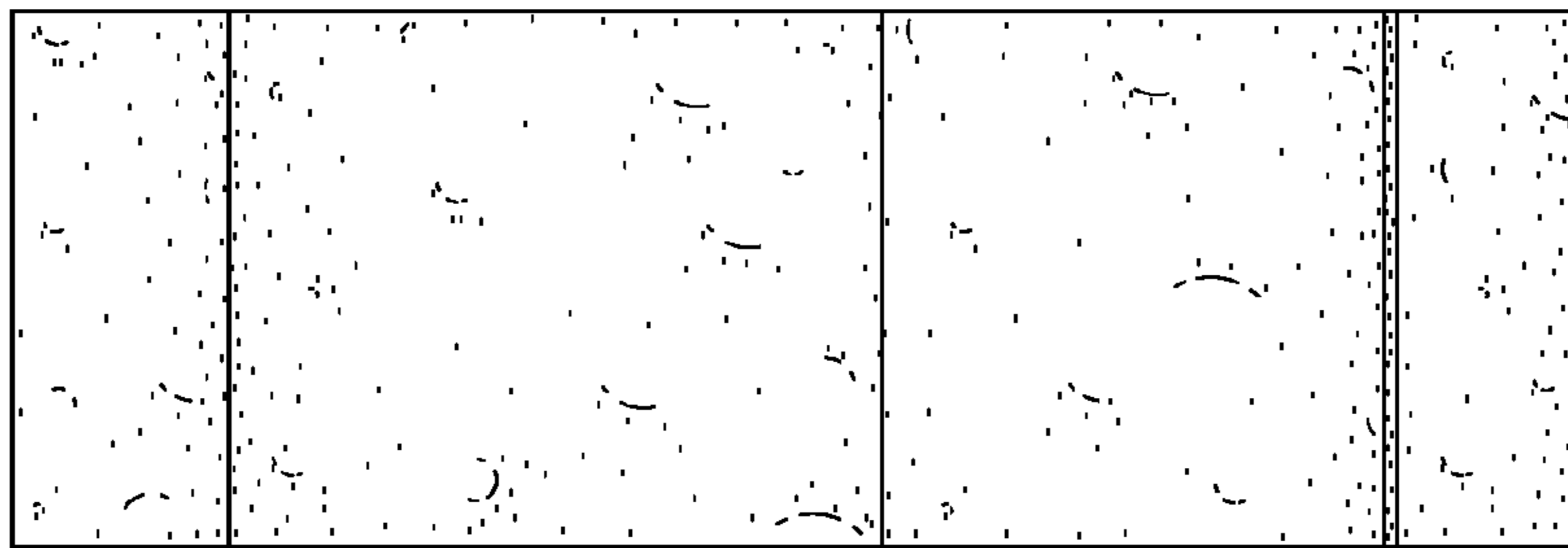


FIG. 5

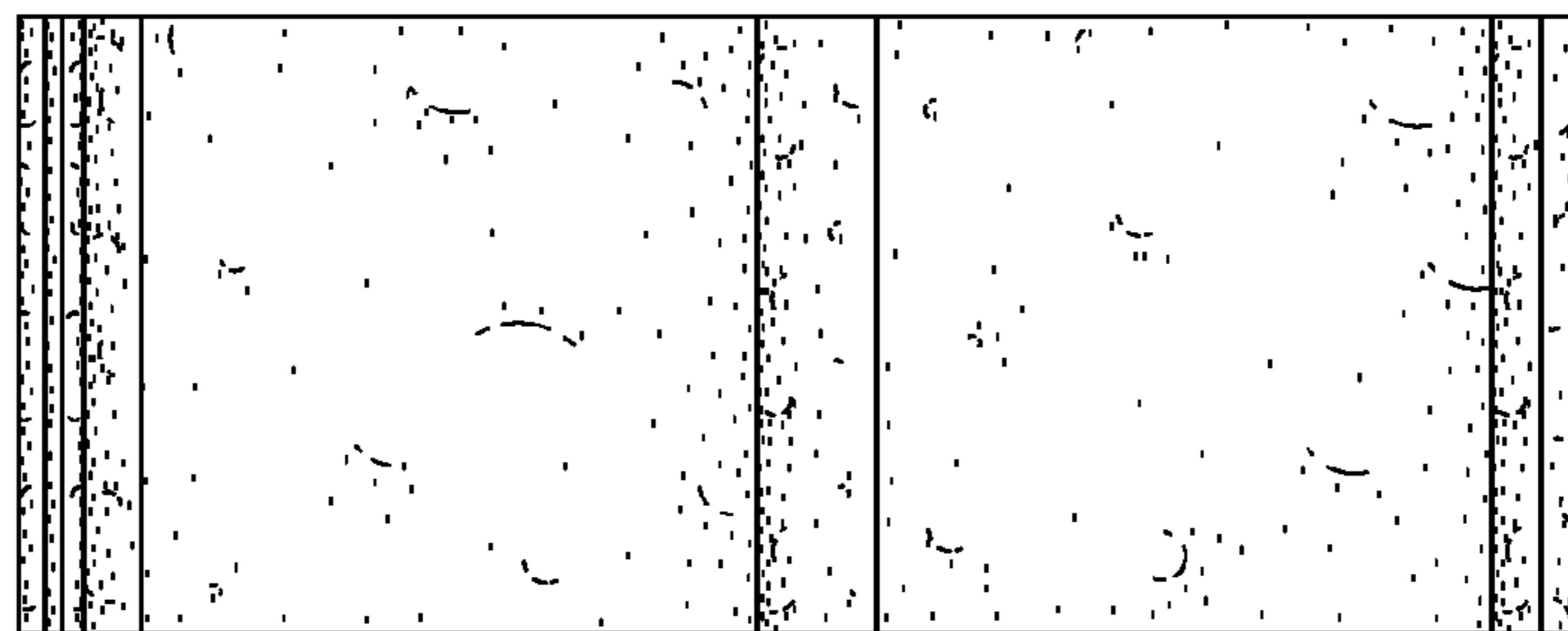


FIG. 6

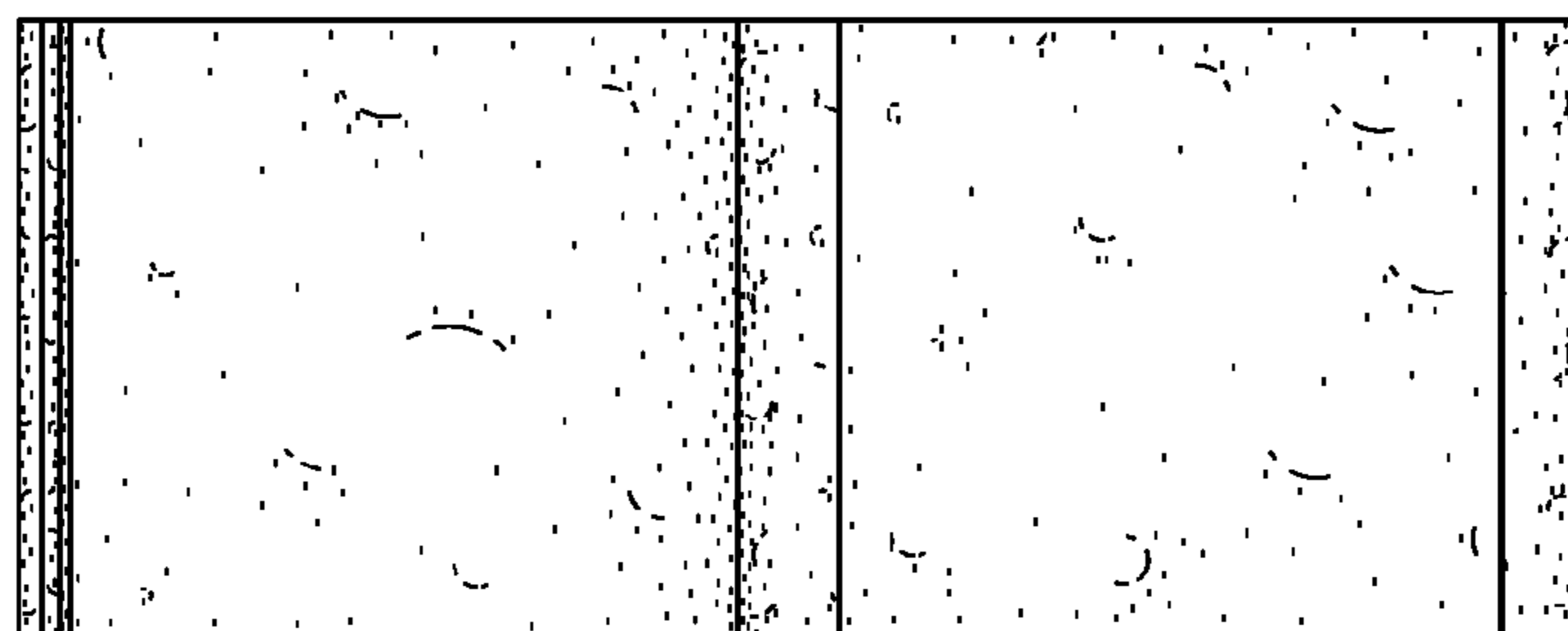


FIG. 7

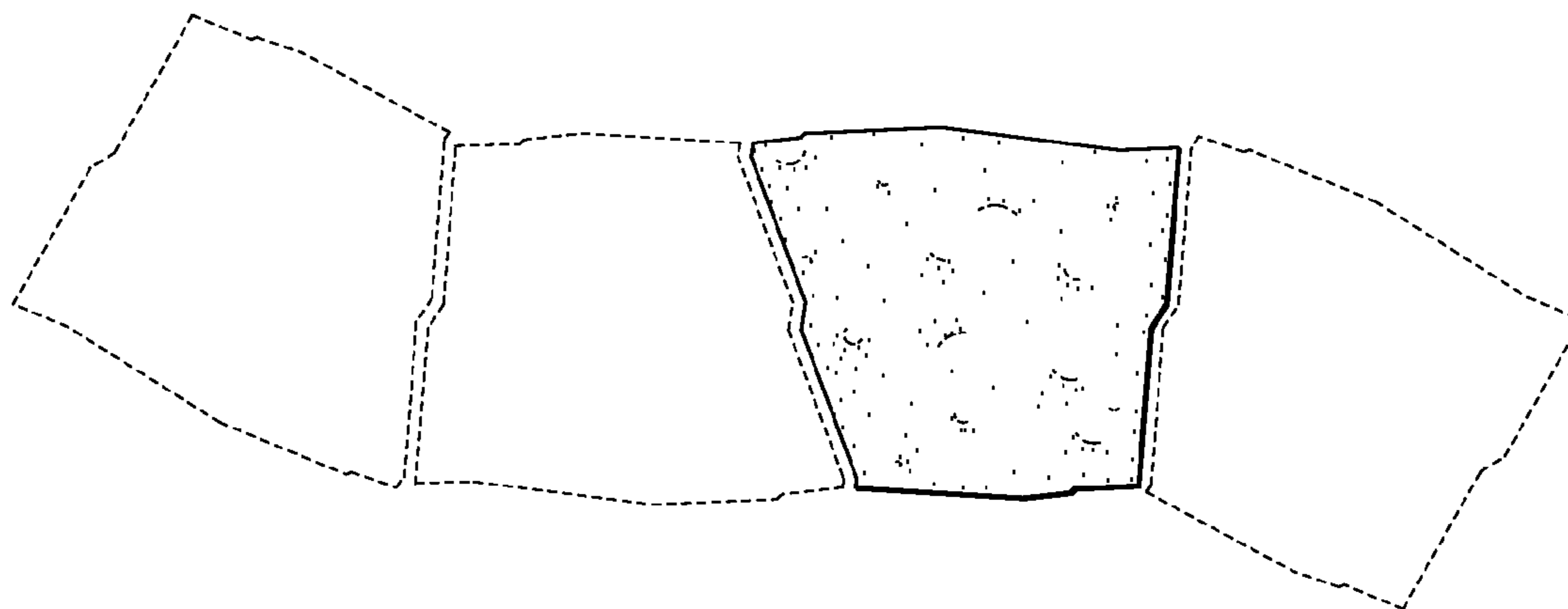


FIG. 8

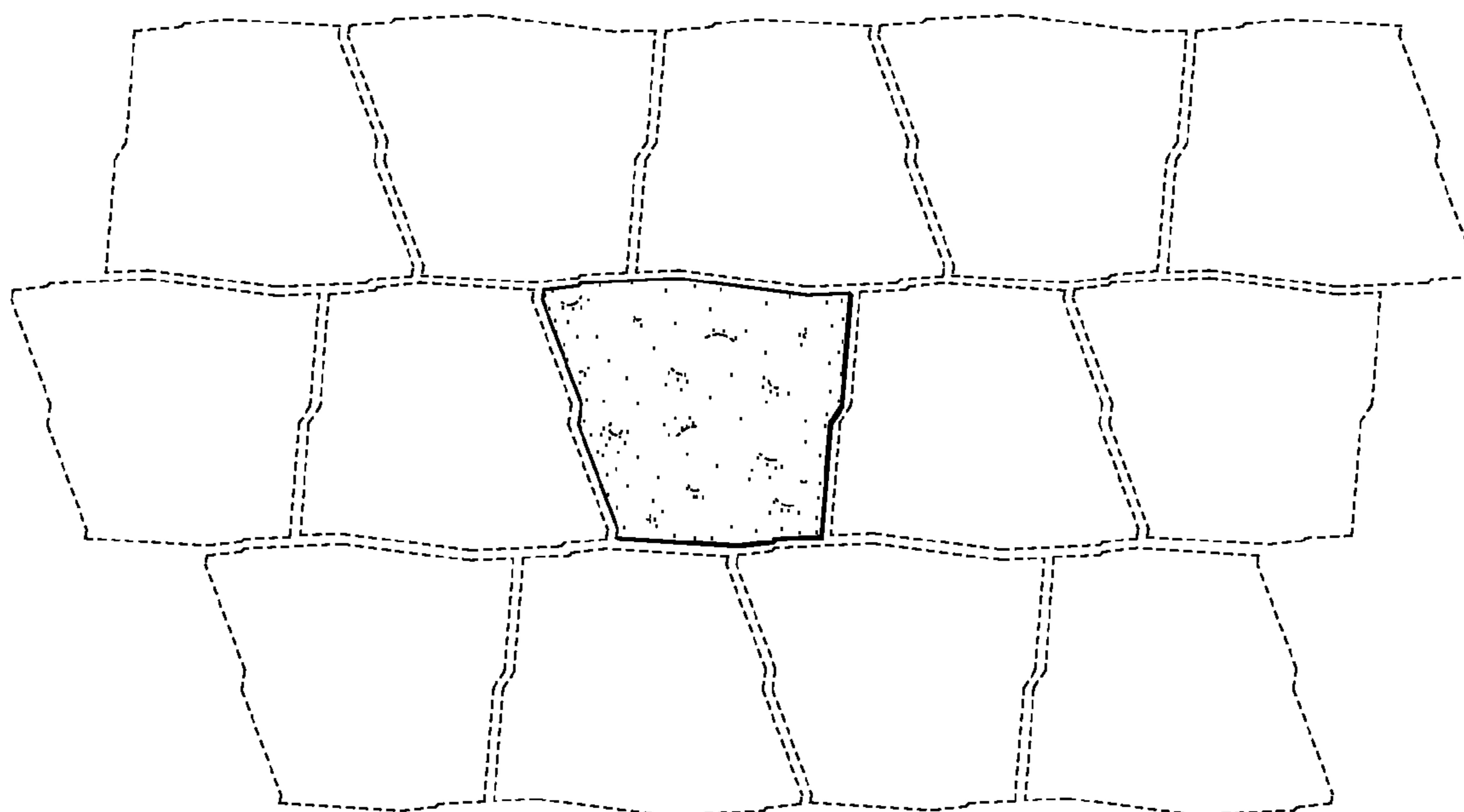


FIG. 9

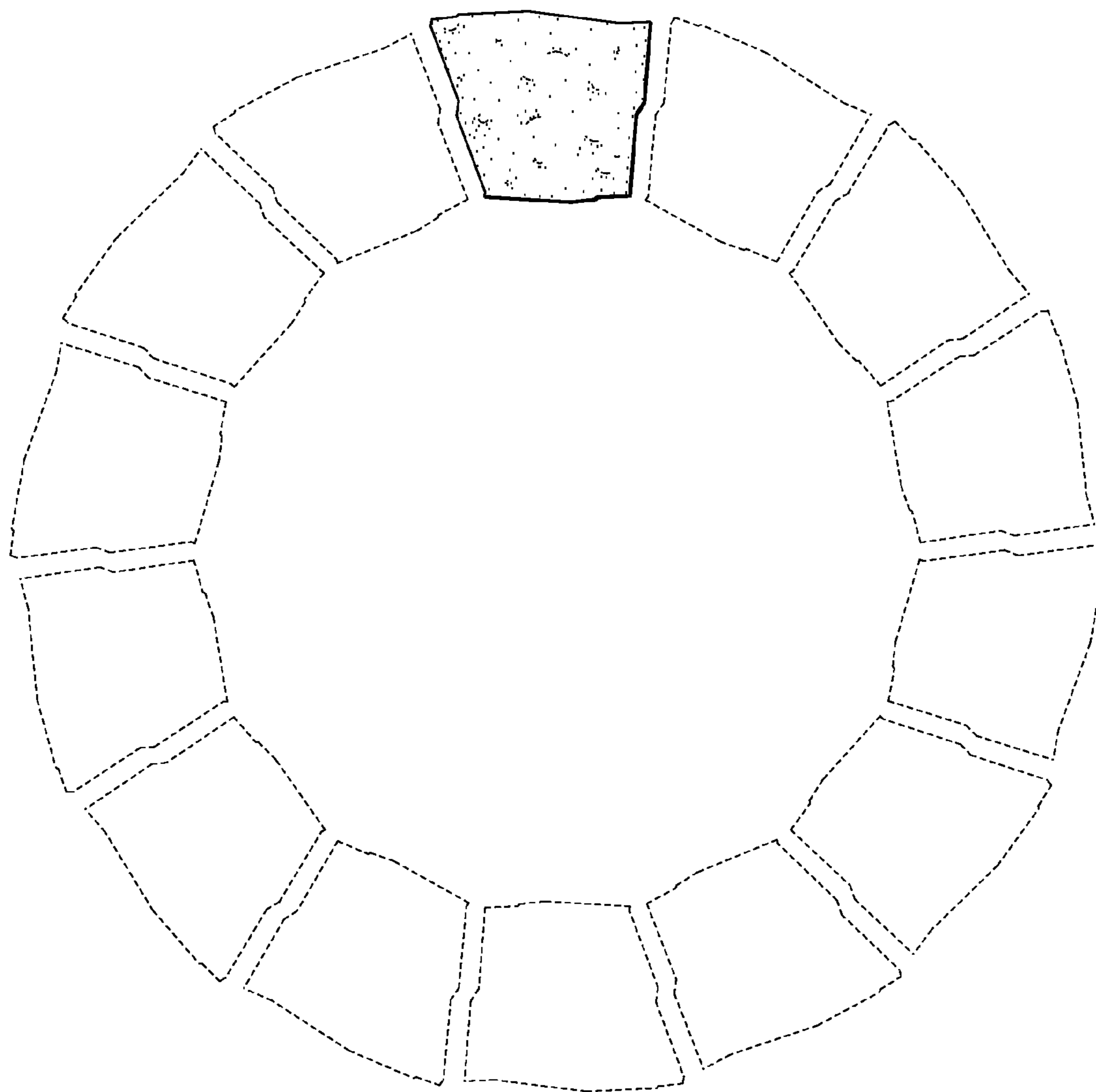


FIG. 10