



US00D686343S

(12) **United States Design Patent**
Racek

(10) **Patent No.:** **US D686,343 S**

(45) **Date of Patent:** **** Jul. 16, 2013**

(54) **HOUSE, GARAGE OR OTHER BUILDING**

(76) Inventor: **Petr Racek**, Studená (CZ)

(**) Term: **14 Years**

(21) Appl. No.: **29/392,201**

(22) Filed: **May 18, 2011**

(30) **Foreign Application Priority Data**

Nov. 21, 2010 (EM) 001784083-0001

(51) **LOC (9) Cl.** **25-03**

(52) **U.S. Cl.**
USPC **D25/18**

(58) **Field of Classification Search**
USPC D25/1-33; 52/79.1, 79.4, 79.5, 64,
52/36.1, 90.1, 234, 73, 88, 89
See application file for complete search history.

(56) **References Cited**

U.S. PATENT DOCUMENTS

D195,762	S	*	7/1963	Gersin	D25/33
D212,281	S	*	9/1968	English	D25/17
3,468,083	A	*	9/1969	Hausermann et al.	52/81.1
3,533,202	A	*	10/1970	Gellert	52/80.1
D227,006	S	*	5/1973	Laltinen	D25/33
3,807,105	A	*	4/1974	Rudkin et al.	52/79.7
3,931,697	A	*	1/1976	Pearce	52/81.1
3,983,666	A	*	10/1976	Gellert	52/82
D274,158	S	*	6/1984	Techenet	D25/22
4,683,689	A	*	8/1987	Loggy	52/80.1
5,036,635	A	*	8/1991	Lalvani	52/80.1
5,291,702	A	*	3/1994	Hooper	52/80.1

* cited by examiner

Primary Examiner — Eric Goodman

(74) *Attorney, Agent, or Firm* — Renner, Otto, Boisselle & Sklar, LLP

(57) **CLAIM**

The ornamental design for a house, garage or other building, as shown and described.

DESCRIPTION

FIG. 1 is a perspective view of the house, garage or other building showing my new design.

FIG. 2 is another perspective view of the house, garage or other building.

FIG. 3 is a front-top perspective view of the house, garage or other building.

FIG. 4 is a front-right perspective view of the house, garage or other building.

FIG. 5 is still another perspective view of the house, garage or other building.

FIG. 6 is yet another perspective view of the house, garage or other building.

FIG. 7 is a front view of the house, garage or other building.

FIG. 8 is a side view of the house, garage or other building.

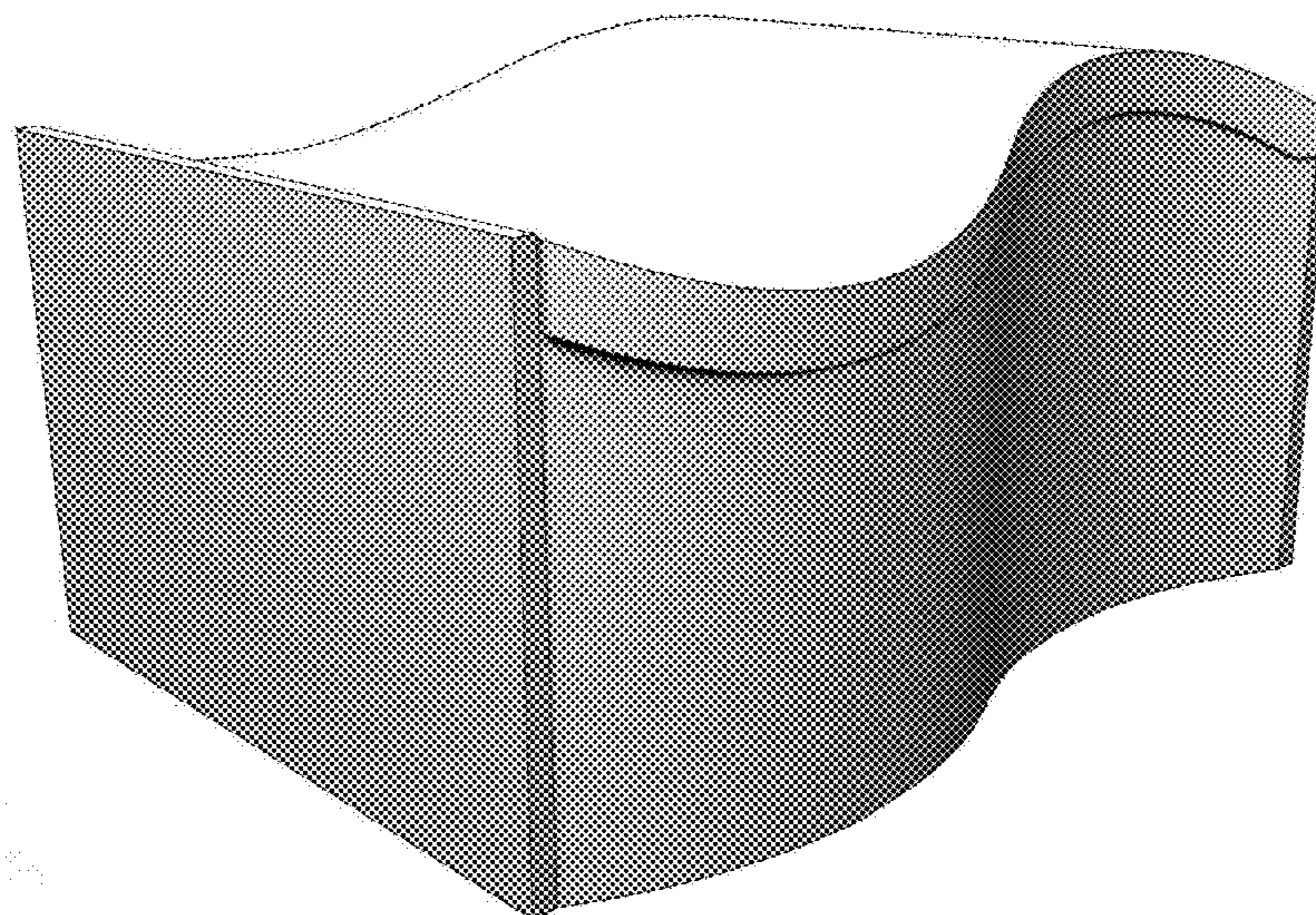
FIG. 9 is an opposite side view of the house, garage or other building.

FIG. 10 is a top view of the house, garage or other building; and,

FIG. 11 is a rear view of the house, garage or other building.

The bottom of the house, garage or other building is plain and unornamented and does not form a part of the claimed design.

1 Claim, 11 Drawing Sheets



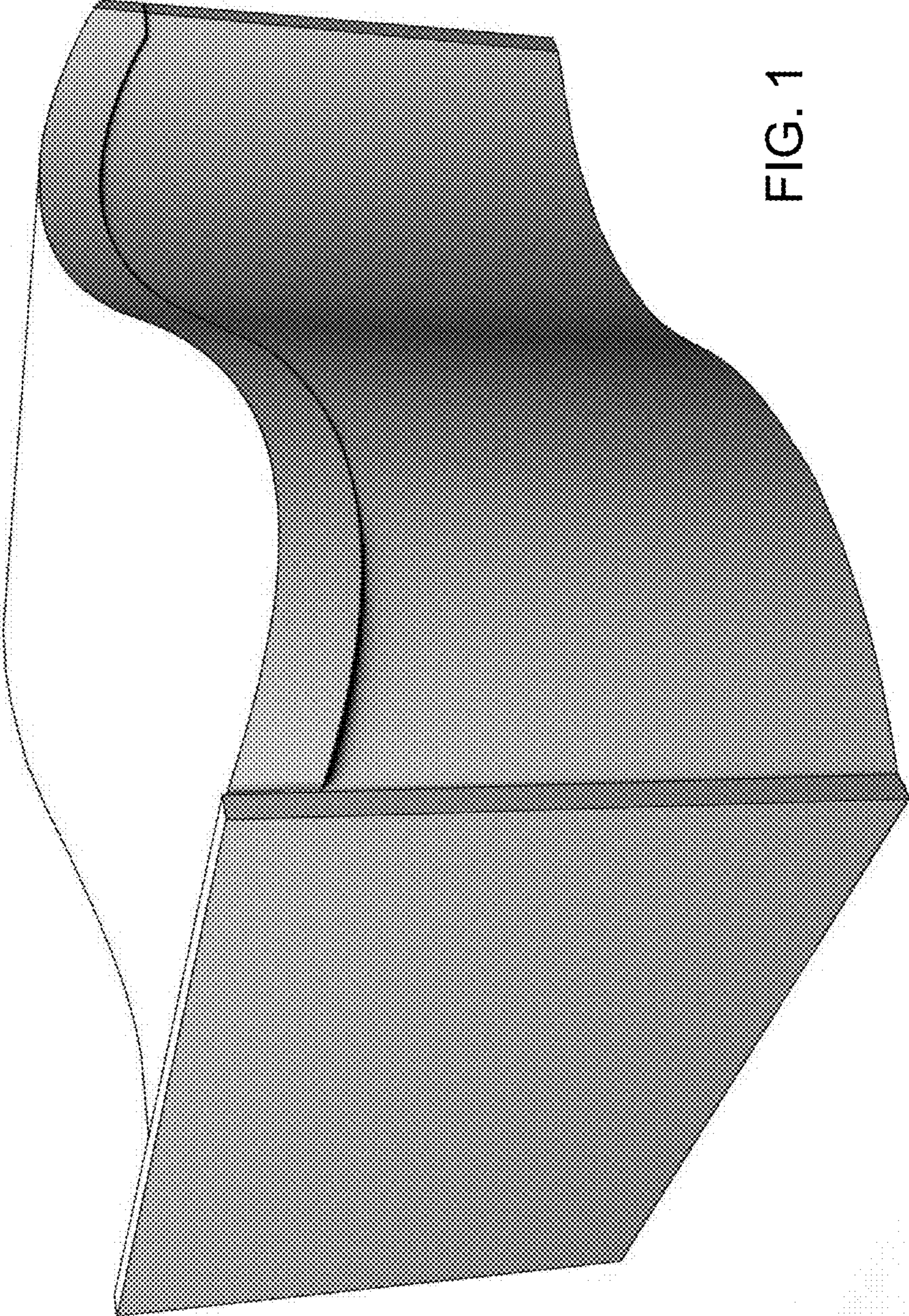


FIG. 1

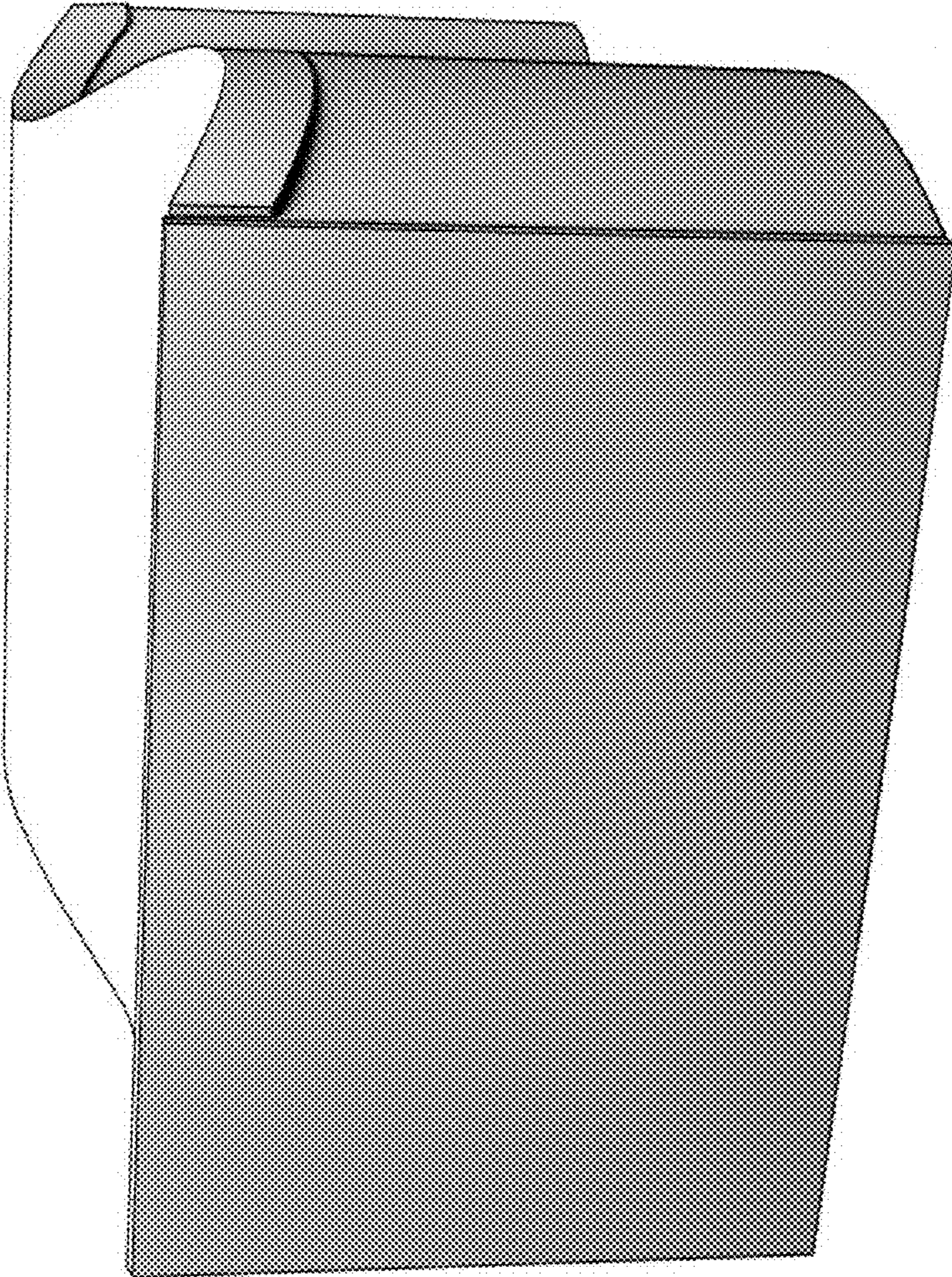


FIG. 2

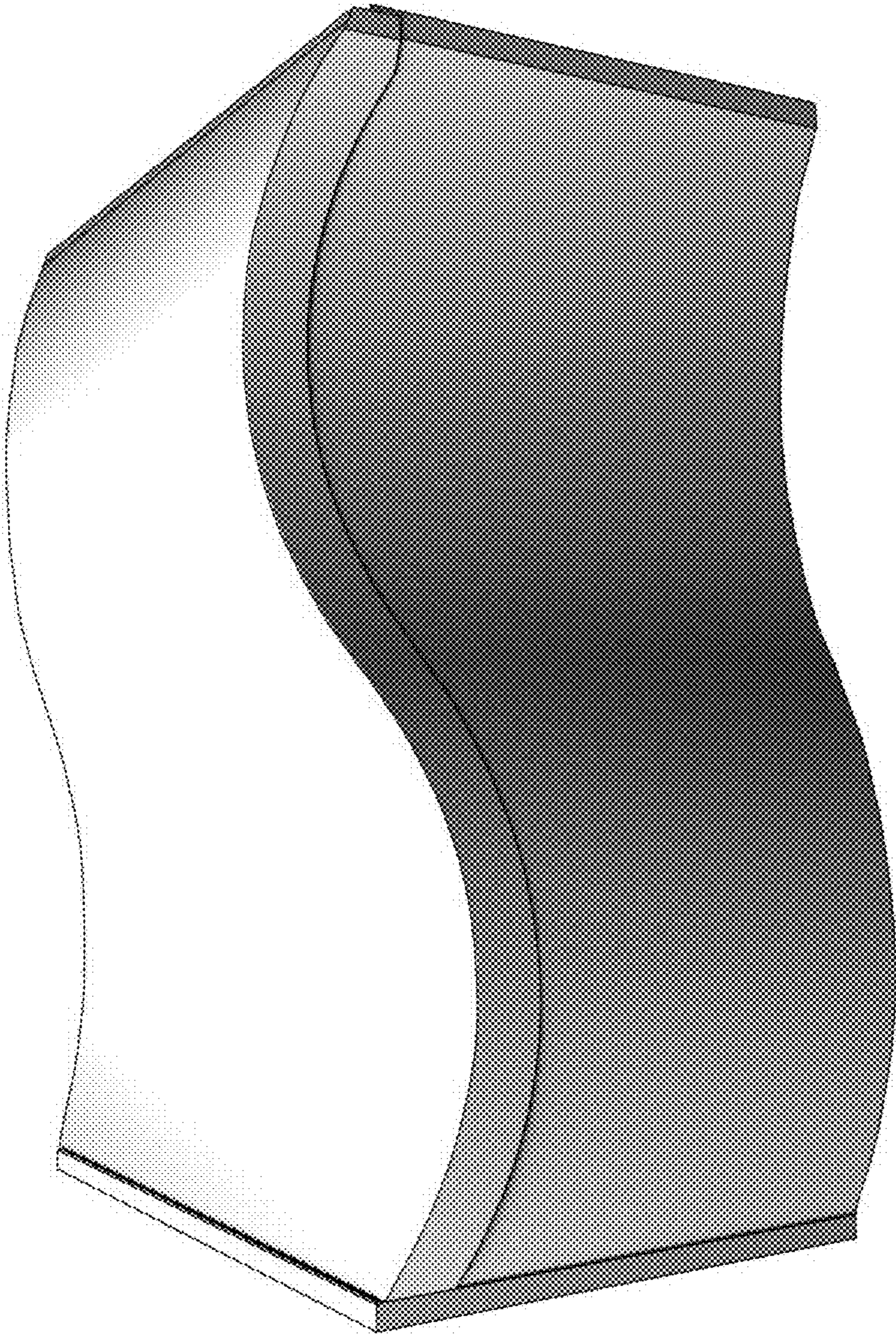


FIG. 3

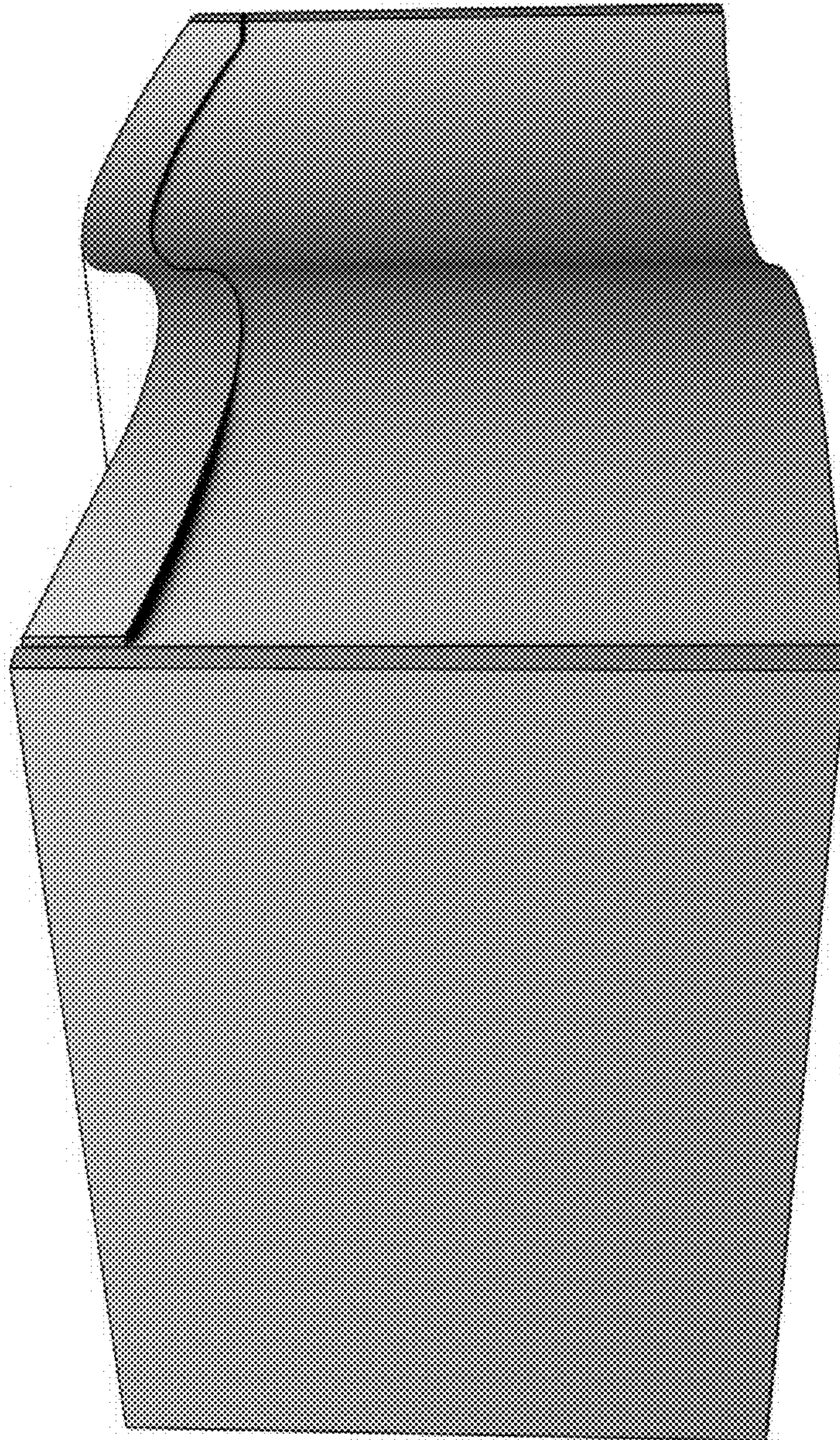


FIG.4

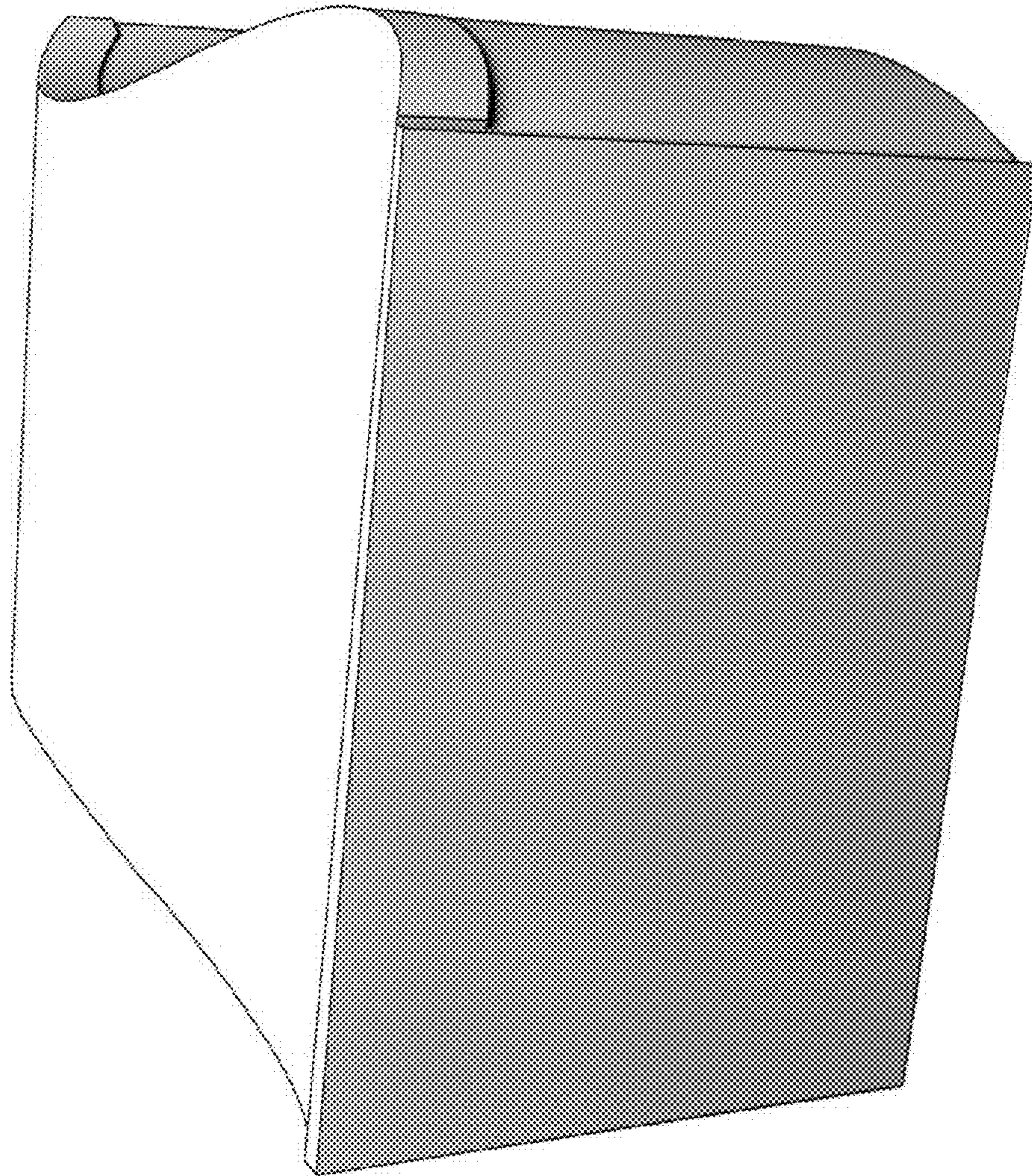


FIG. 5

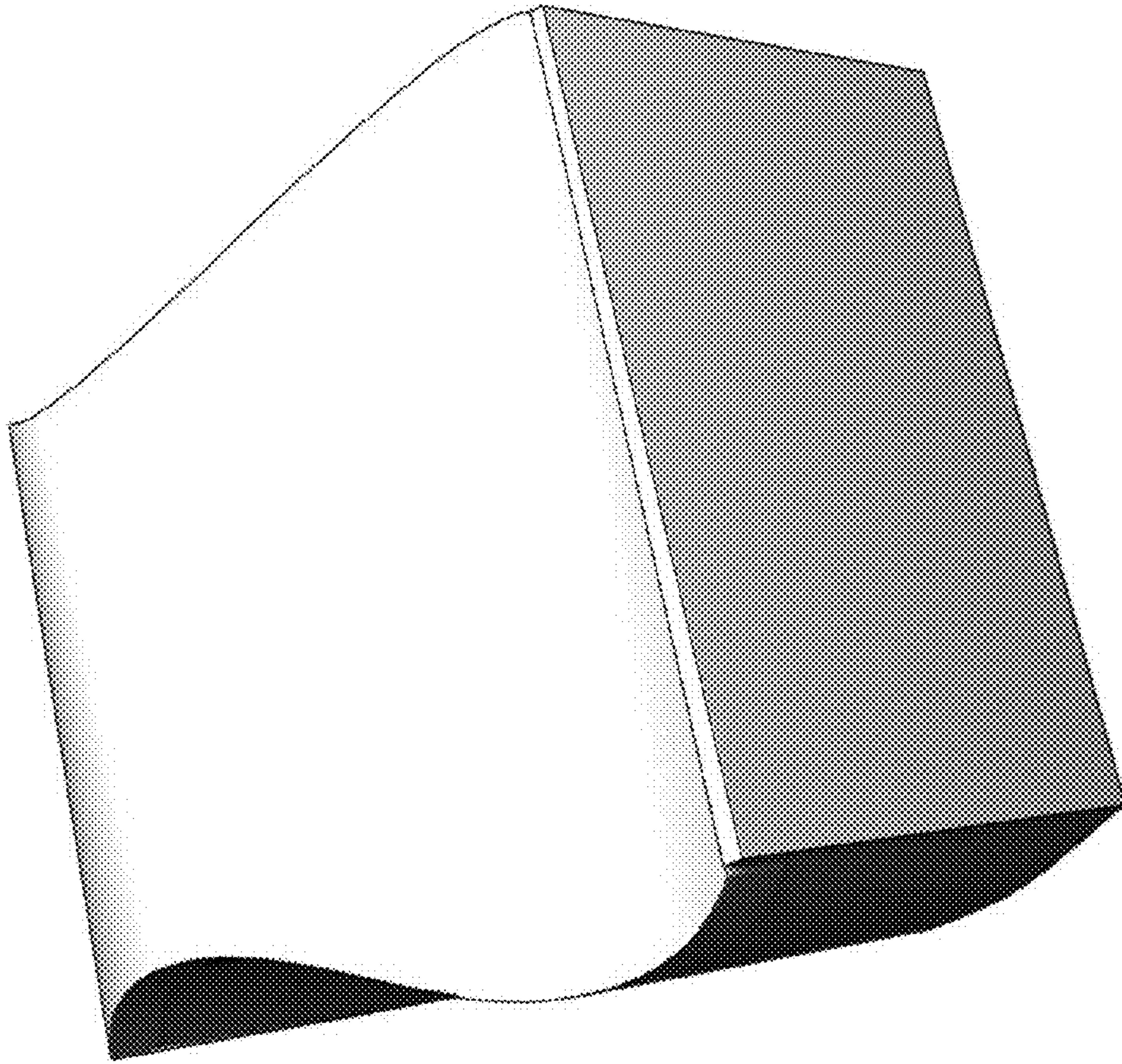
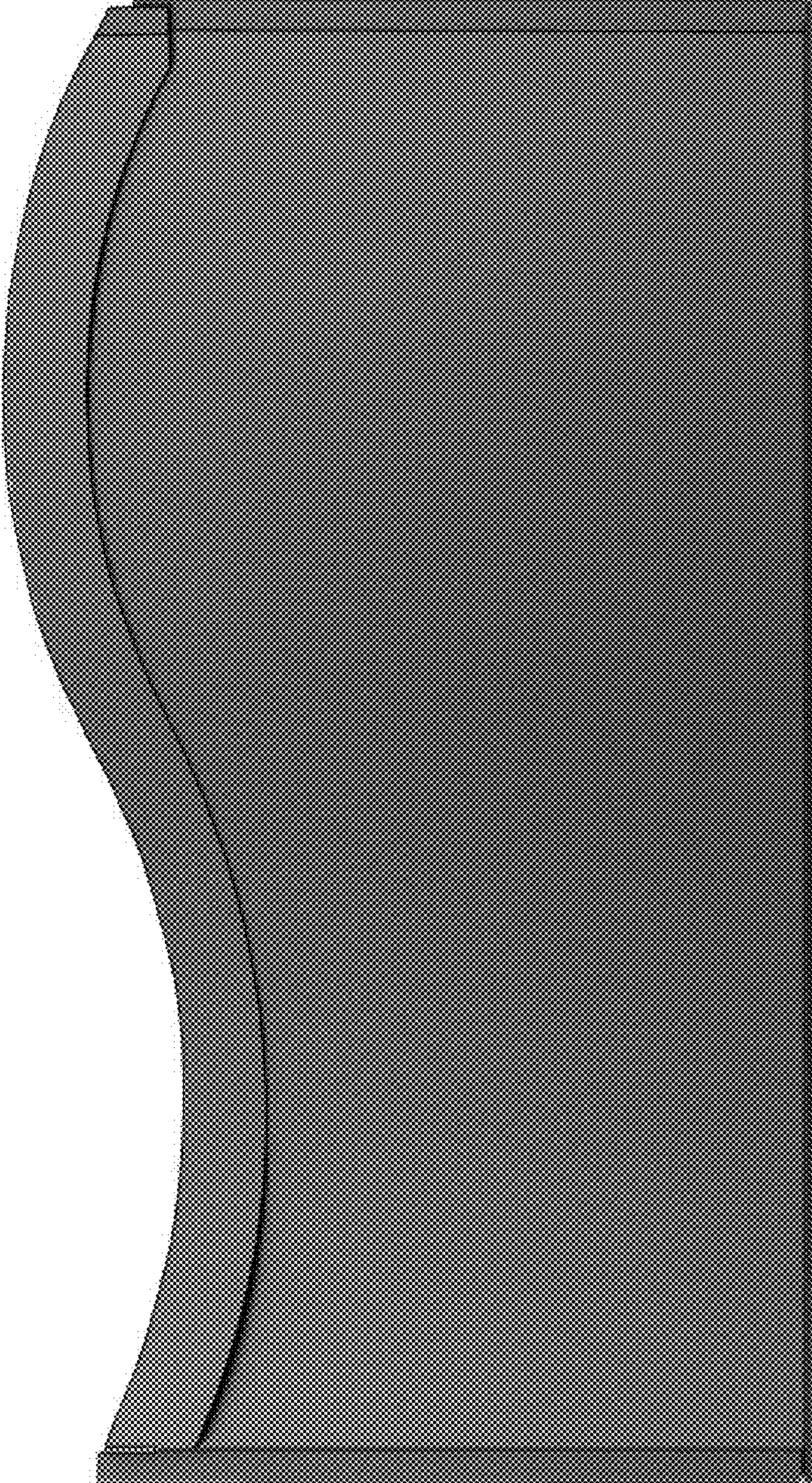


FIG. 6

FIG. 7



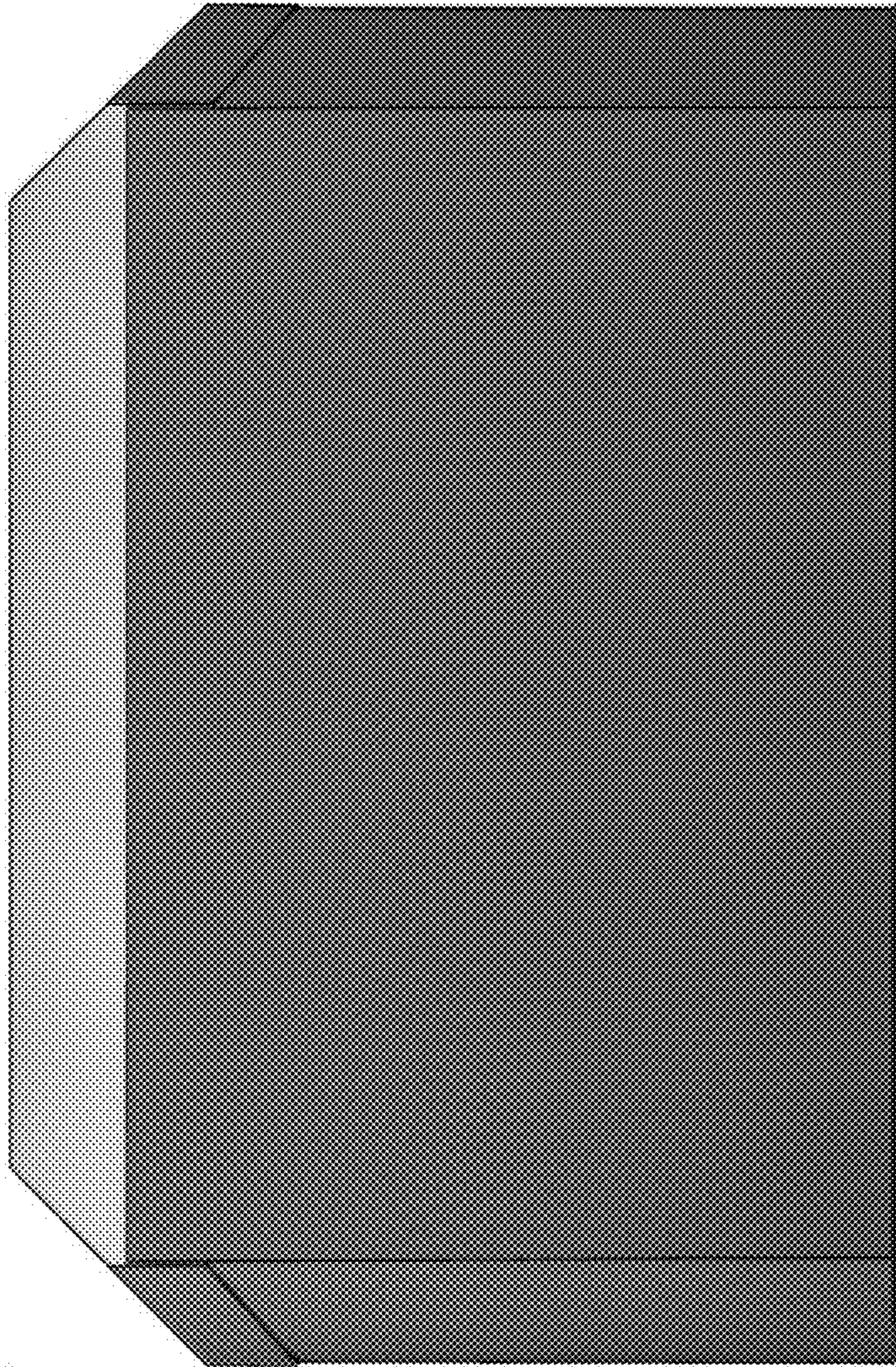


FIG. 8

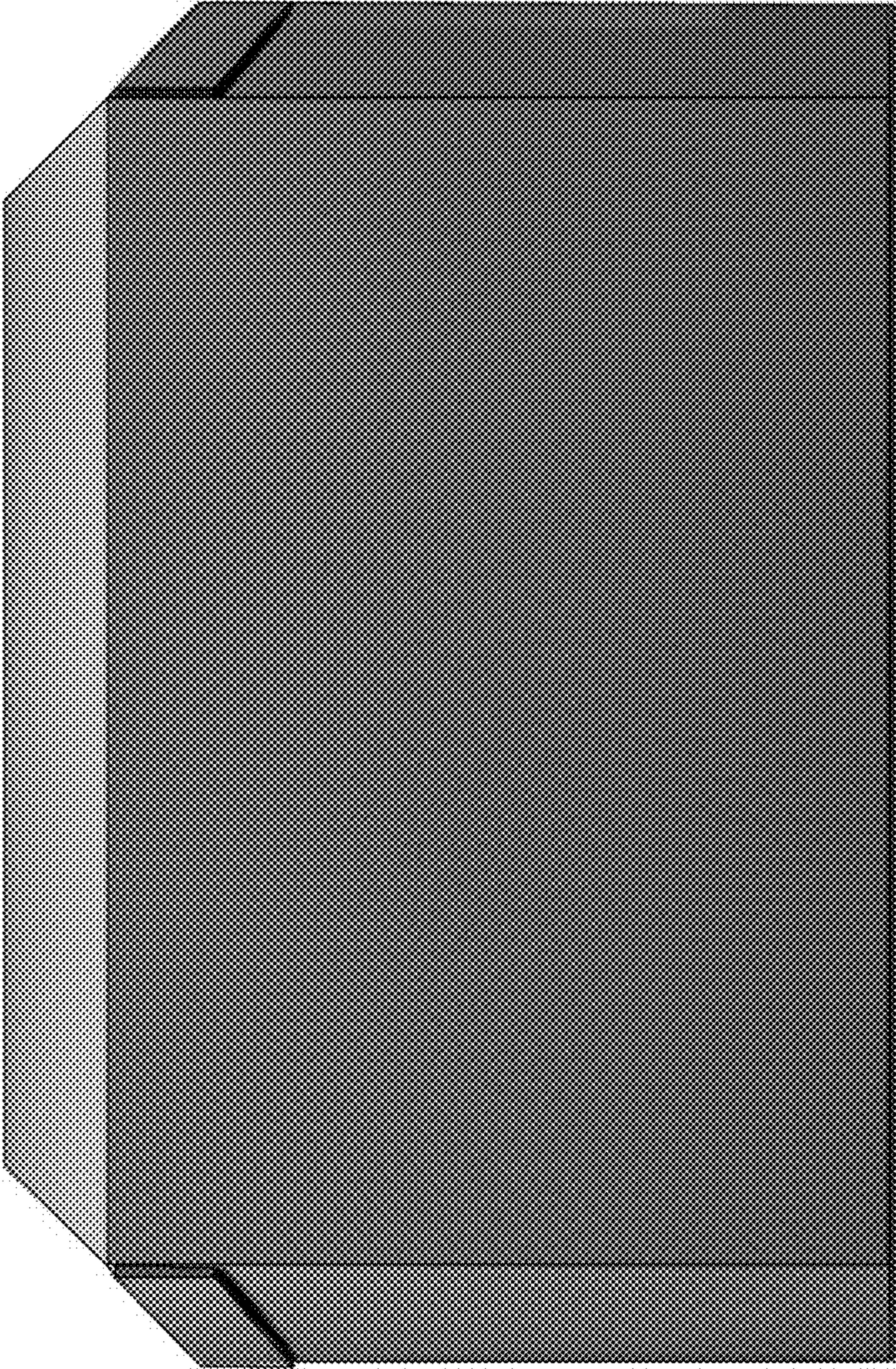


FIG. 9

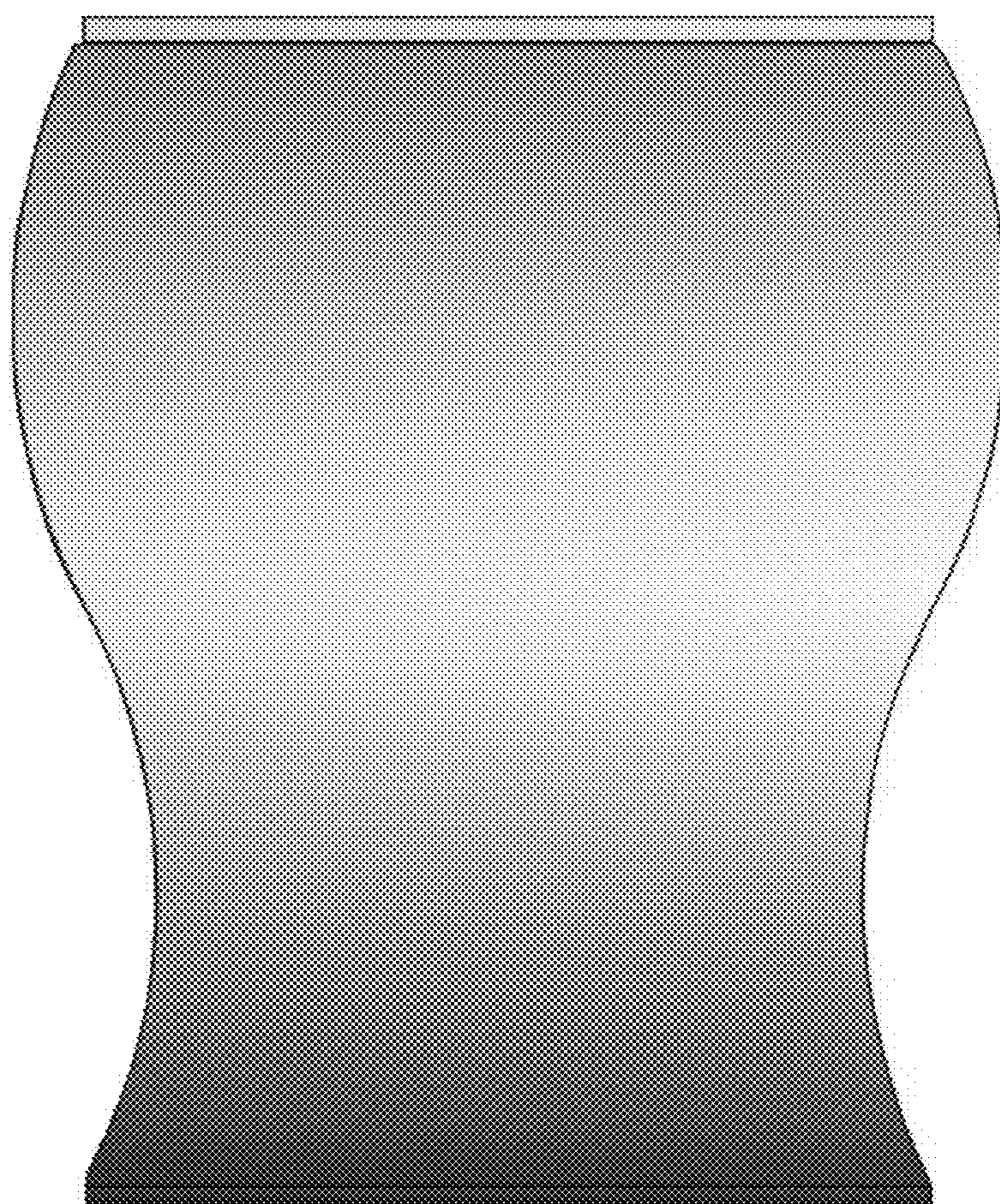


FIG. 10

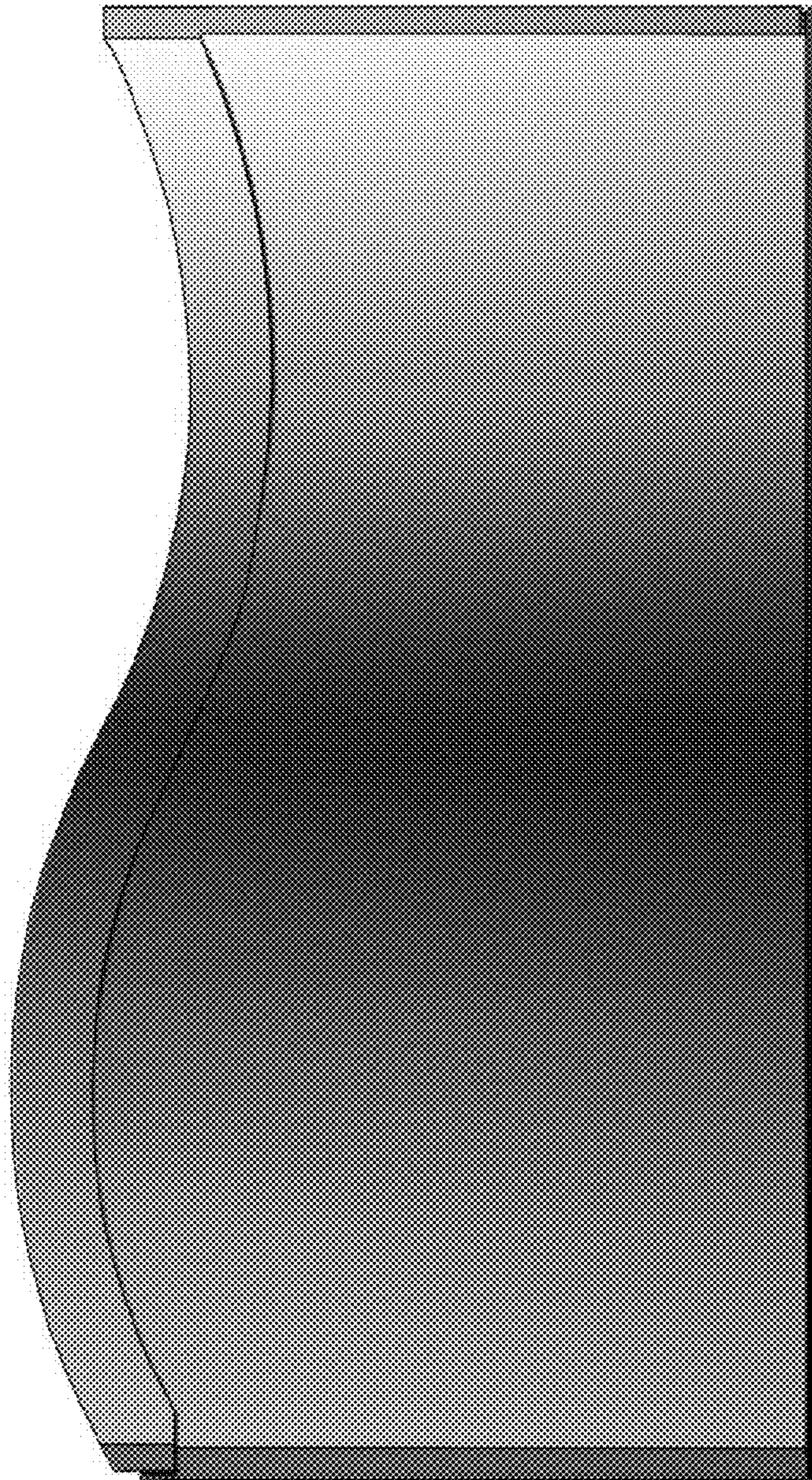


FIG. 11