

US00D686342S

(12) **United States Design Patent**  
**Peet**

(10) **Patent No.:** **US D686,342 S**  
(45) **Date of Patent:** **\*\* Jul. 16, 2013**

- (54) **RESERVOIR BLADDER DRYER**
- (75) Inventor: **Blair G. Peet**, St. Maries, ID (US)
- (73) Assignee: **Peet Shoe Dryer, Inc.**, St. Maries, ID (US)
- (\*\*) Term: **14 Years**
- (21) Appl. No.: **29/348,514**
- (22) Filed: **Jan. 13, 2010**
- (51) **LOC (9) Cl.** ..... **24-02**
- (52) **U.S. Cl.**  
USPC ..... **D24/232**
- (58) **Field of Classification Search**  
USPC .... D24/107, 122, 127, 217, 231-232; D32/1, D32/8-9, 58-59; D23/393; 34/103-104, 34/106; 12/123, 129.4; 211/37; 223/66, 70, 223/76, 79  
See application file for complete search history.

D519,255	S	*	4/2006	Peet et al.	.....	D32/59
D541,493	S	*	4/2007	Peet	.....	D32/8
D562,519	S	*	2/2008	Palese et al.	.....	D32/59
D565,260	S	*	3/2008	Lam	.....	D32/8
D566,362	S	*	4/2008	Peet	.....	D32/58
D576,773	S	*	9/2008	Beckett	.....	D32/58
D581,109	S	*	11/2008	Totz	.....	D32/8
7,526,876	B2	*	5/2009	Carey et al.	.....	34/90
D604,916	S	*	11/2009	Mansour et al.	.....	D32/8
D616,537	S	*	5/2010	Gosko-Sadowski	.....	D23/393
7,716,849	B1	*	5/2010	Hicks	.....	34/104

\* cited by examiner

*Primary Examiner* — T. Chase Nelson  
*Assistant Examiner* — Mark Cavanna  
(74) *Attorney, Agent, or Firm* — Wells St. John PS

(57) **CLAIM**  
I claim the ornamental design for a reservoir bladder dryer, as shown and described.

**DESCRIPTION**

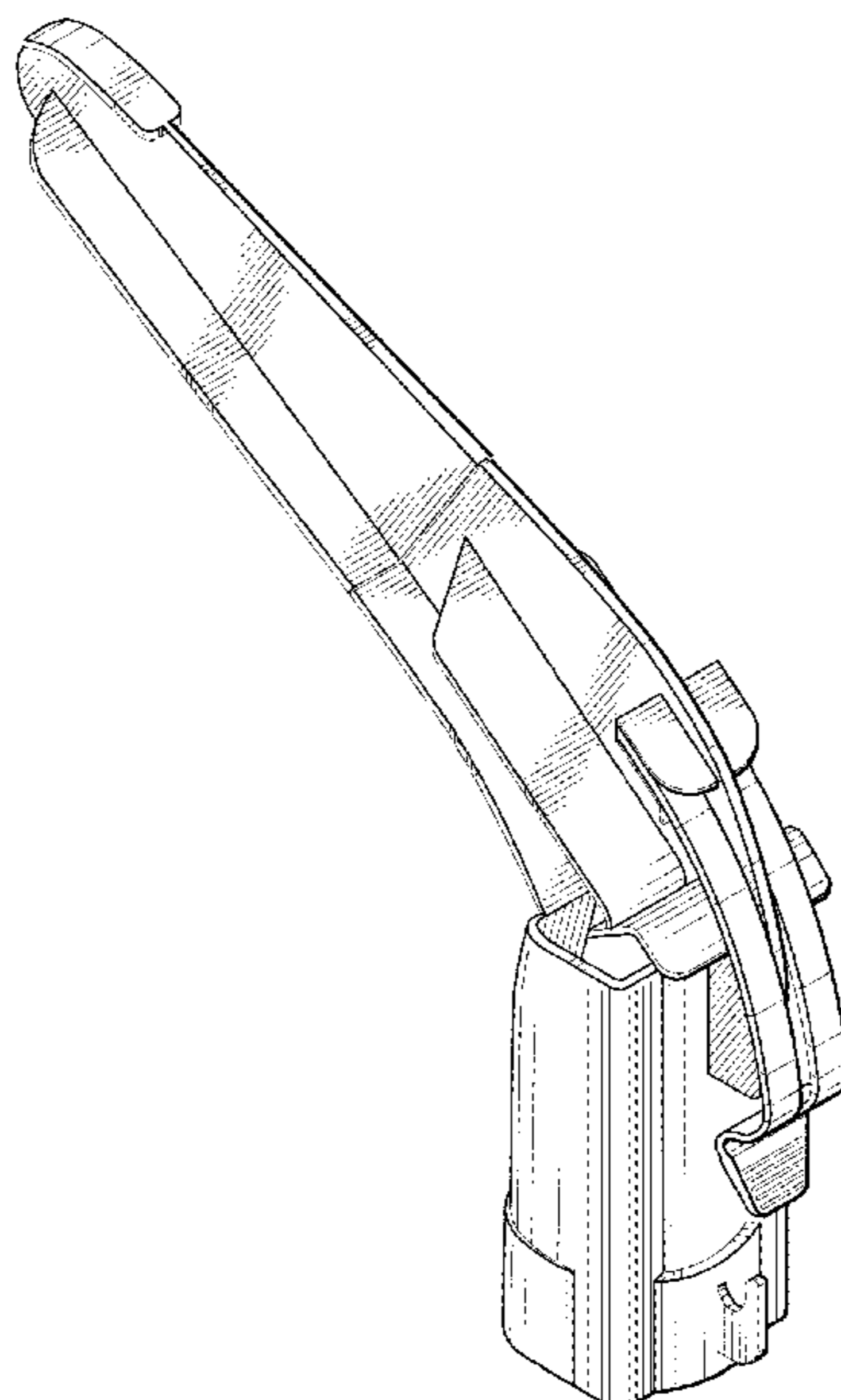
FIG. 1 is a rear isometric view of the reservoir bladder dryer invention;  
FIG. 2 is a rear isometric view of the reservoir bladder dryer invention with a reservoir bladder dryer mounted thereon;  
FIG. 3 is a first side elevation view of the reservoir bladder dryer invention;  
FIG. 4 is a second side elevation view of the reservoir bladder dryer invention;  
FIG. 5 is a front elevation view of the reservoir bladder dryer invention;  
FIG. 6 is a rear elevation view of the reservoir bladder dryer invention;  
FIG. 7 is a top view of the reservoir bladder dryer invention; and,  
FIG. 8 is a bottom view of the reservoir bladder dryer invention.

**1 Claim, 6 Drawing Sheets**

(56) **References Cited**

U.S. PATENT DOCUMENTS

402,137	A	*	4/1889	Larkin	.....	34/104
629,944	A	*	8/1899	Wallace	.....	34/104
D194,512	S	*	2/1963	Safarski	.....	D32/58
D206,677	S	*	1/1967	Gunn	.....	D32/58
D224,309	S	*	7/1972	Wolff	.....	D32/9
4,085,519	A	*	4/1978	Masika	.....	34/104
D310,742	S	*	9/1990	Johnson	.....	D32/58
D322,343	S	*	12/1991	Pearcy	.....	D32/58
D347,094	S	*	5/1994	Christensen, Jr.	.....	D32/58
D349,788	S	*	8/1994	Laferriere et al.	.....	D32/1
D373,867	S	*	9/1996	Rask	.....	D32/58
5,632,099	A	*	5/1997	Seifert et al.	.....	34/106
D412,231	S	*	7/1999	Williams et al.	.....	D32/58
D412,381	S	*	7/1999	Peet	.....	D32/58
D433,204	S	*	10/2000	Gardner, Jr.	.....	D32/58
D496,502	S	*	9/2004	Cheng	.....	D32/8
6,962,004	B2	*	11/2005	DuRapau	.....	34/104



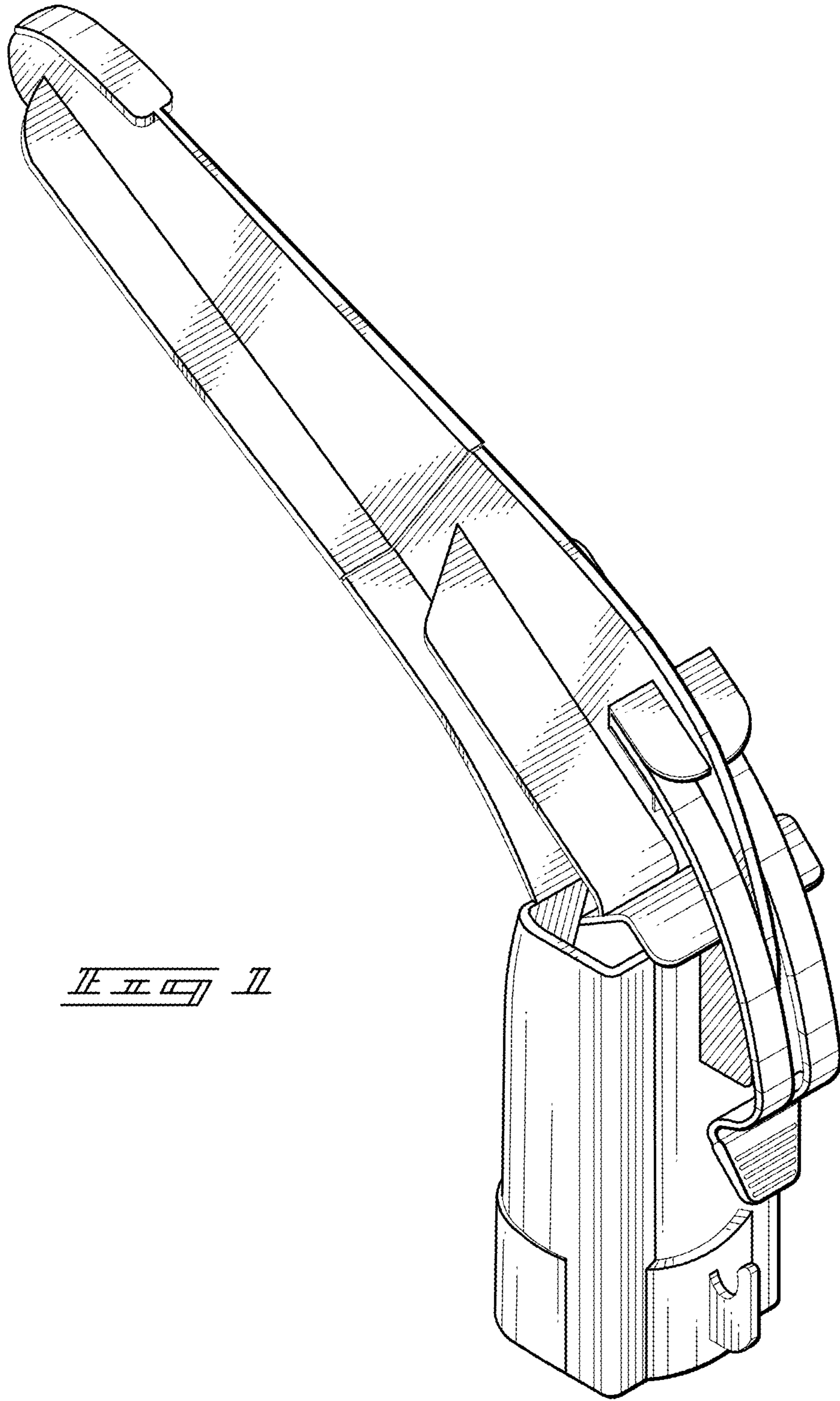
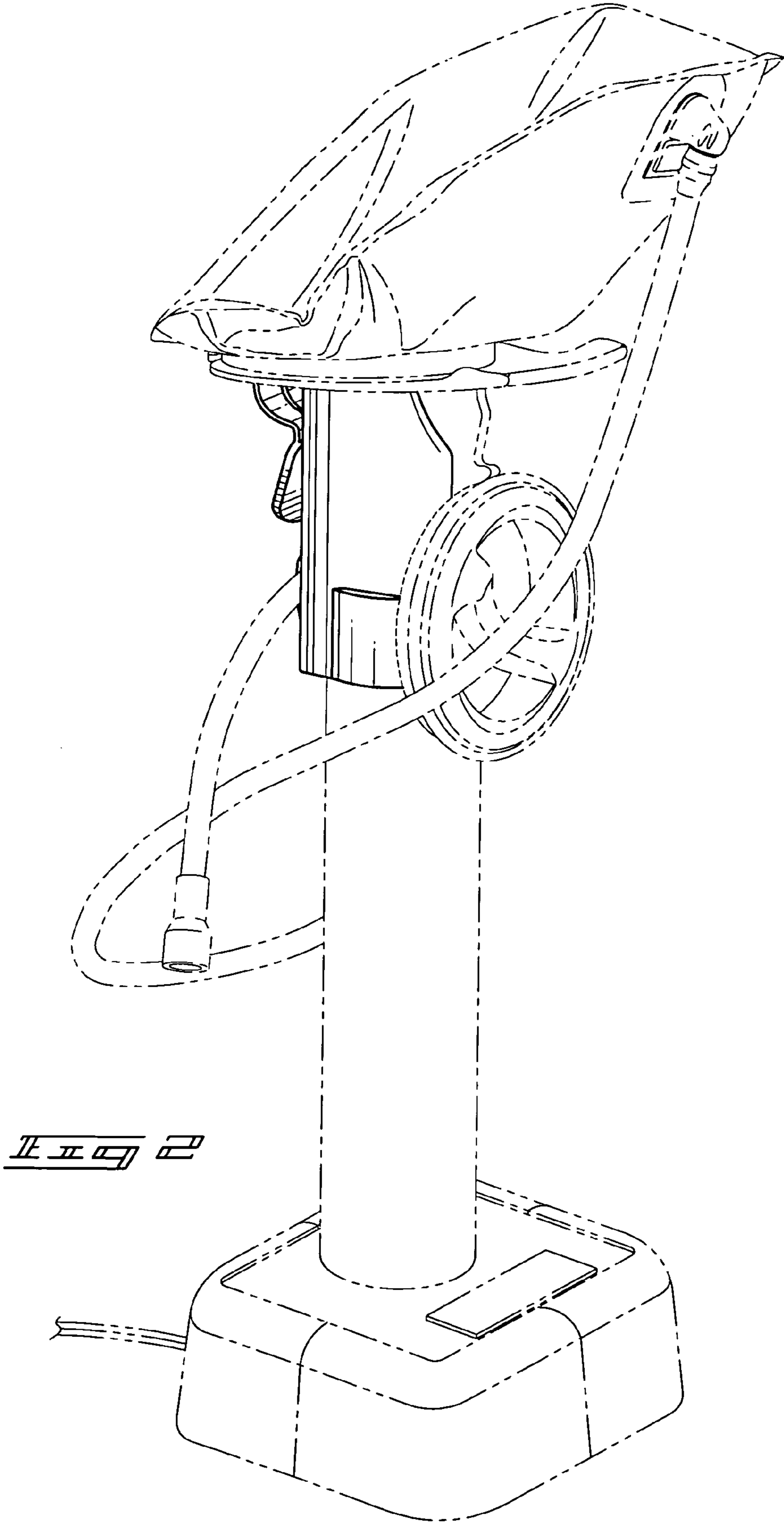
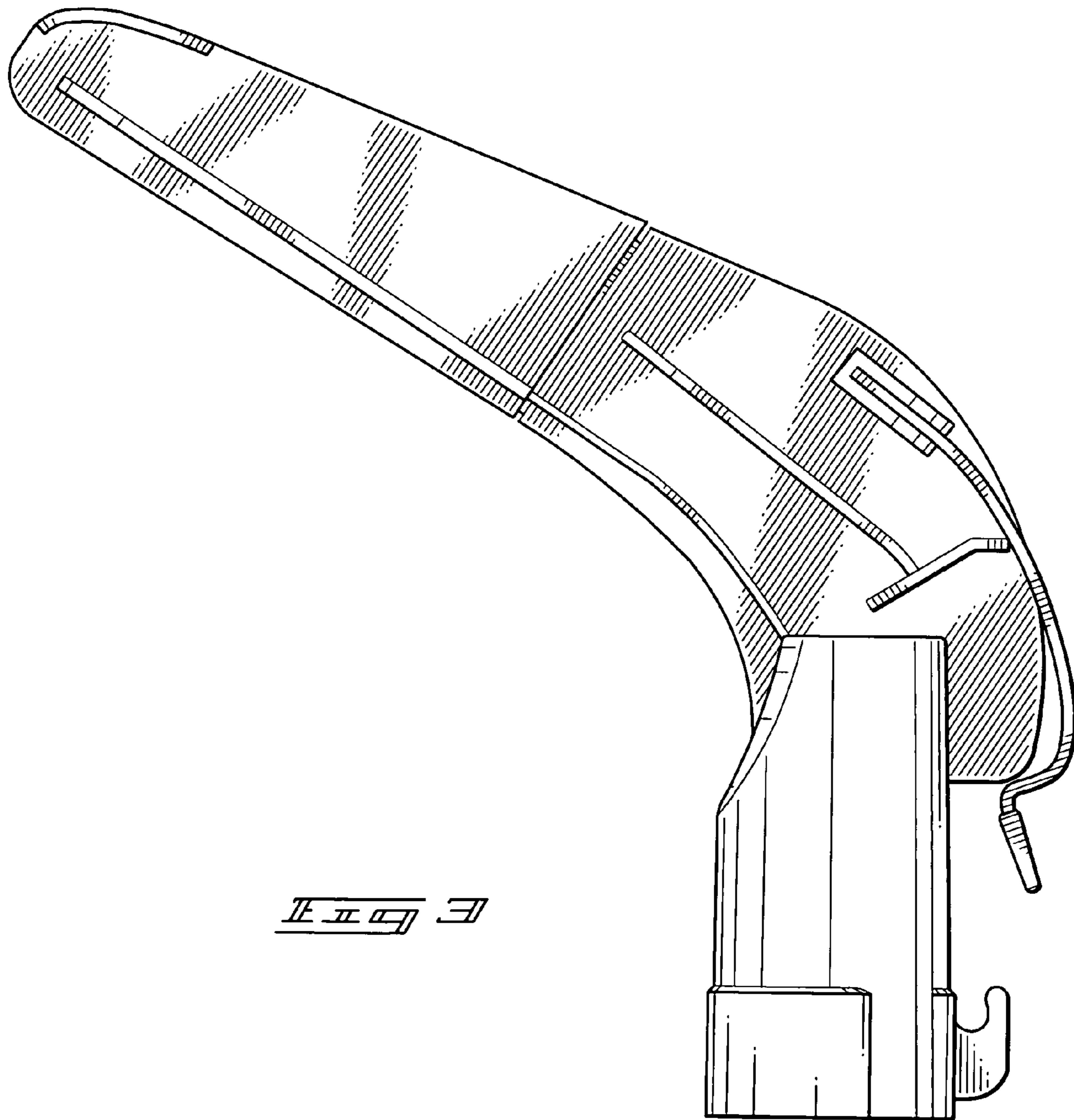


FIG. 1





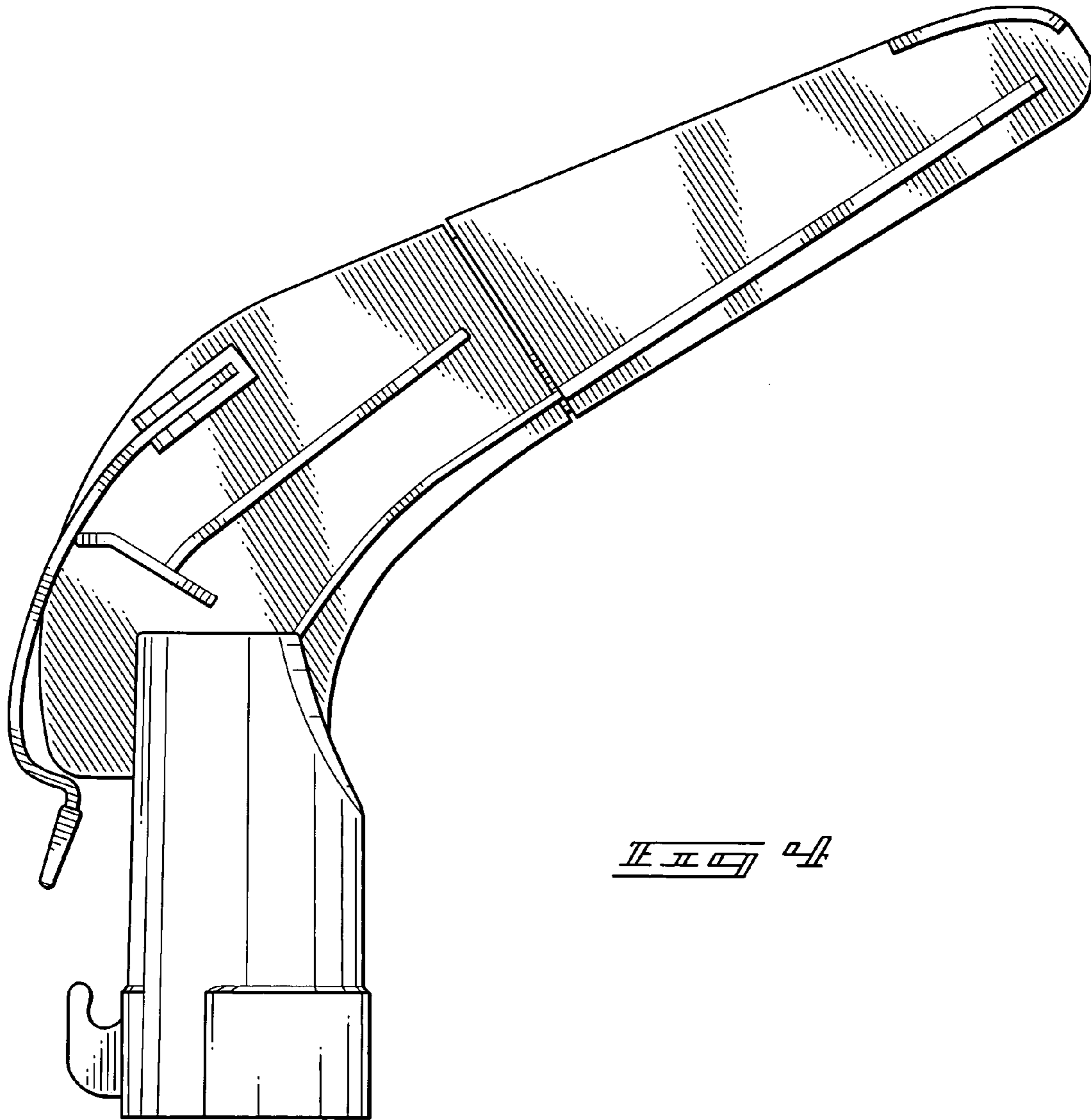
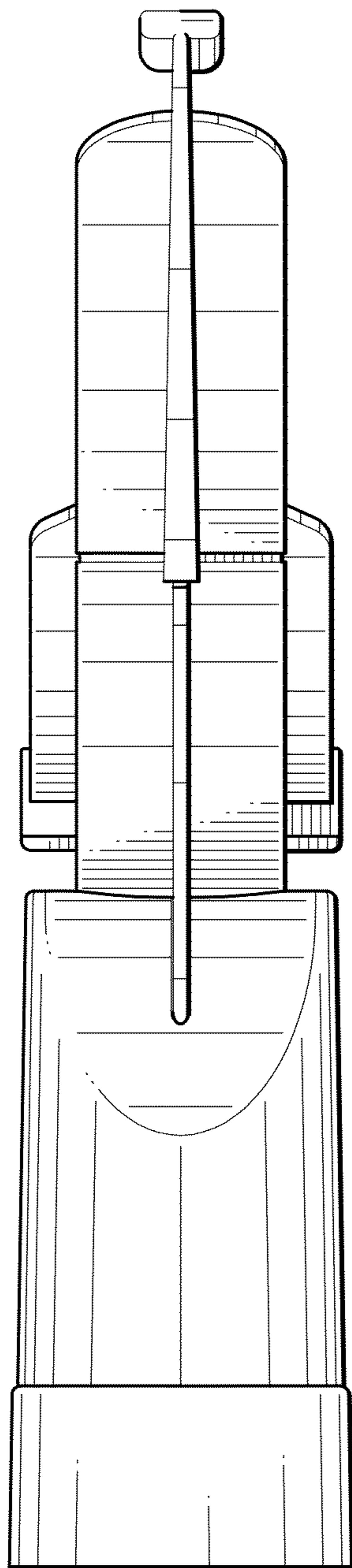
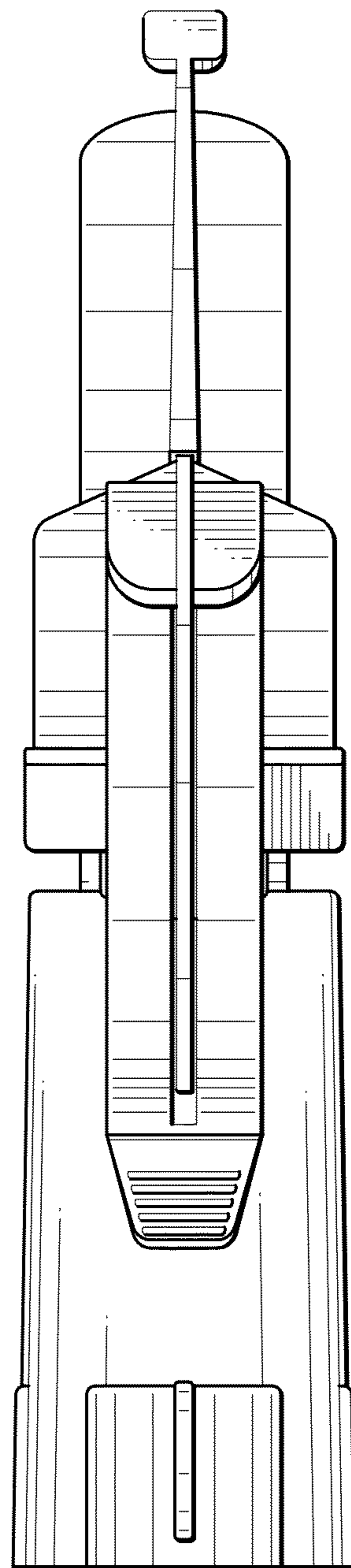


FIG. 4



*Fig. 5*



*Fig. 6*

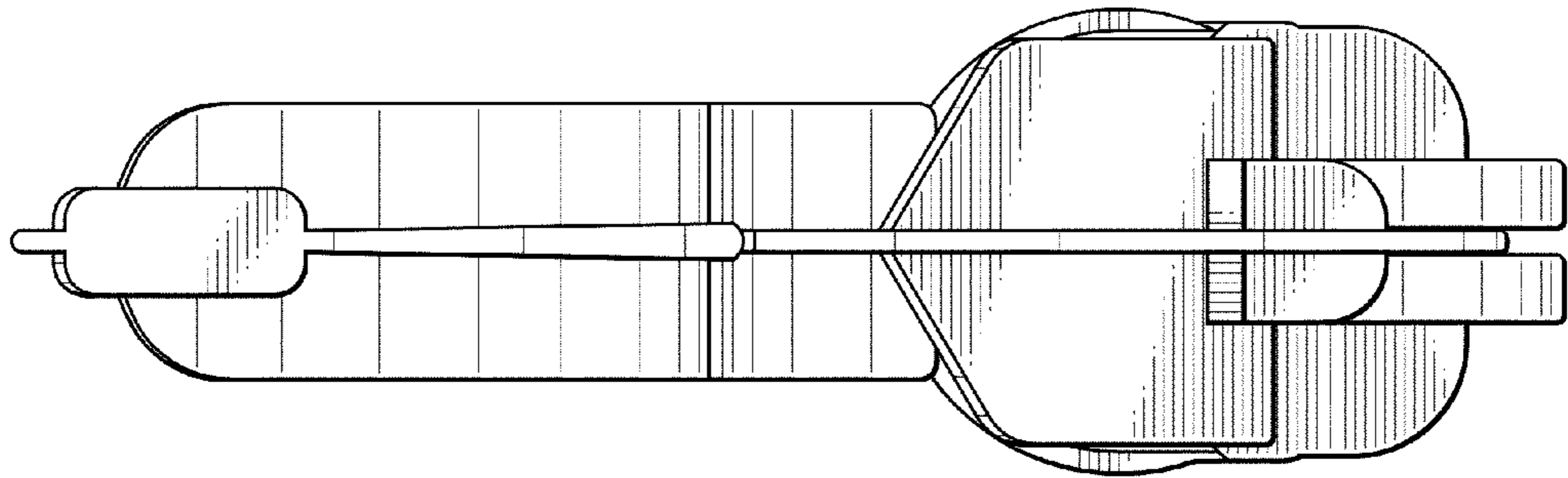


Fig. 5

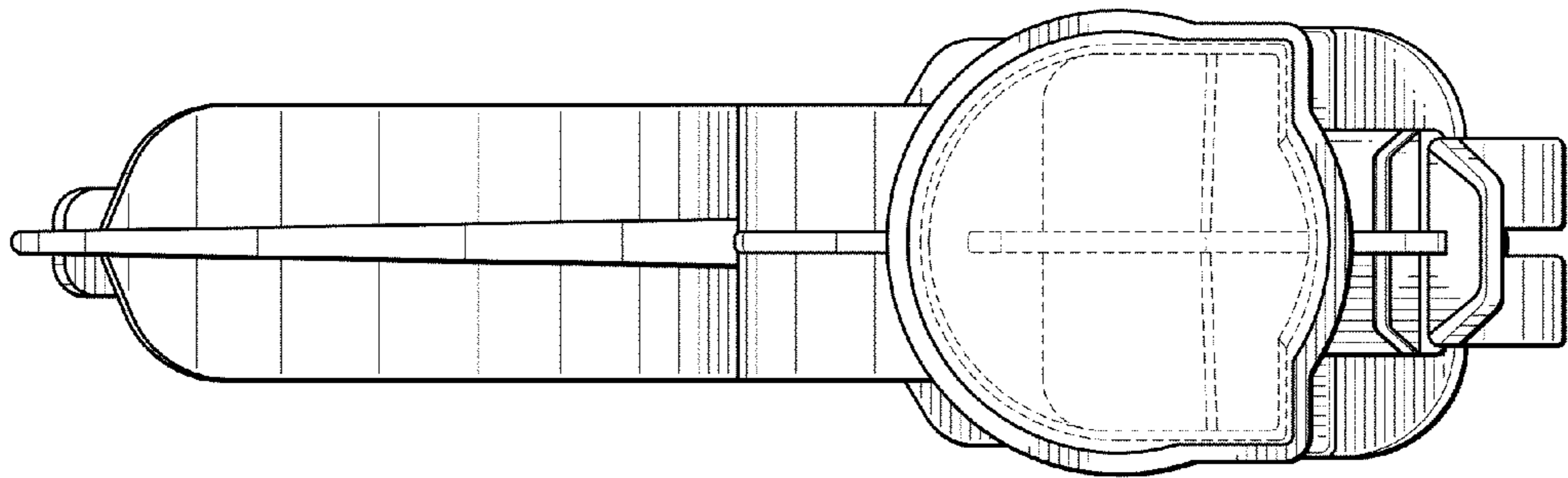


Fig. 6