



US00D686341S

(12) **United States Design Patent**
Nakaji et al.

(10) **Patent No.:** **US D686,341 S**
(45) **Date of Patent:** **** Jul. 16, 2013**

(54) **RADIONUCLIDE CARRIER LOADER**

(76) Inventors: **Peter Nakaji**, Phoenix, AZ (US); **David Brachman**, Phoenix, AZ (US); **Heyoung McBride**, Phoenix, AZ (US); **Emad Youssef**, Tempe, AZ (US); **Theresa Thomas**, Gilbert, AZ (US)

(**) Term: **14 Years**

(21) Appl. No.: **29/419,589**

(22) Filed: **Apr. 30, 2012**

(51) **LOC (9) Cl.** **24-02**

(52) **U.S. Cl.**
USPC **D24/227**

(58) **Field of Classification Search**
USPC D3/272, 300; D24/121, 128, 130, D24/133, 158; D99/28; D34/28; 210/143, 210/278, 681-682; 423/2, 249; 424/1.29, 424/1.11, 9.1, 9.6; 604/19, 20
See application file for complete search history.

(56) **References Cited**

U.S. PATENT DOCUMENTS

D244,393	S	*	5/1977	Collica et al.	D99/28
D408,957	S	*	4/1999	Sandor	D34/28
5,997,842	A	*	12/1999	Chen	424/1.29
D443,061	S	*	5/2001	Bergstrom et al.	D24/158
D488,864	S	*	4/2004	Fago et al.	D24/121
6,787,042	B2	*	9/2004	Bond et al.	210/681
D561,896	S	*	2/2008	Jones	D24/130

* cited by examiner

Primary Examiner — T. Chase Nelson

Assistant Examiner — Mark Cavanna

(74) *Attorney, Agent, or Firm* — S McPherson IP Law

(57) **CLAIM**

The ornamental design for a radionuclide carrier loader, as shown and described.

DESCRIPTION

FIG. 1 is a perspective view of the lid portion of a radionuclide carrier loader shown separately for clarity of illustration showing our new design;

FIG. 2 is a perspective view of the base of a radionuclide carrier loader shown separately for clarity of illustration;

FIG. 3 is a front elevational view of the base thereof;

FIG. 4 is a front elevational view of the lid thereof;

FIG. 5 is a back elevational view of the base thereof;

FIG. 6 is a back elevational view of the lid thereof;

FIG. 7 is a left side elevational view of the lid thereof;

FIG. 8 is a left side elevational view of the base thereof;

FIG. 9 is a right side elevational view of the lid thereof;

FIG. 10 is a right side elevational view of the base thereof;

FIG. 11 is a top plan view of the lid thereof;

FIG. 12 is a top plan view of the base thereof;

FIG. 13 is a bottom plan view of the lid thereof;

FIG. 14 is a bottom plan view of the base thereof;

FIG. 15 is a perspective view of a radionuclide carrier loader shown in a closed portion showing our new design;

FIG. 16 is a front elevational view thereof;

FIG. 17 is a back elevational view thereof;

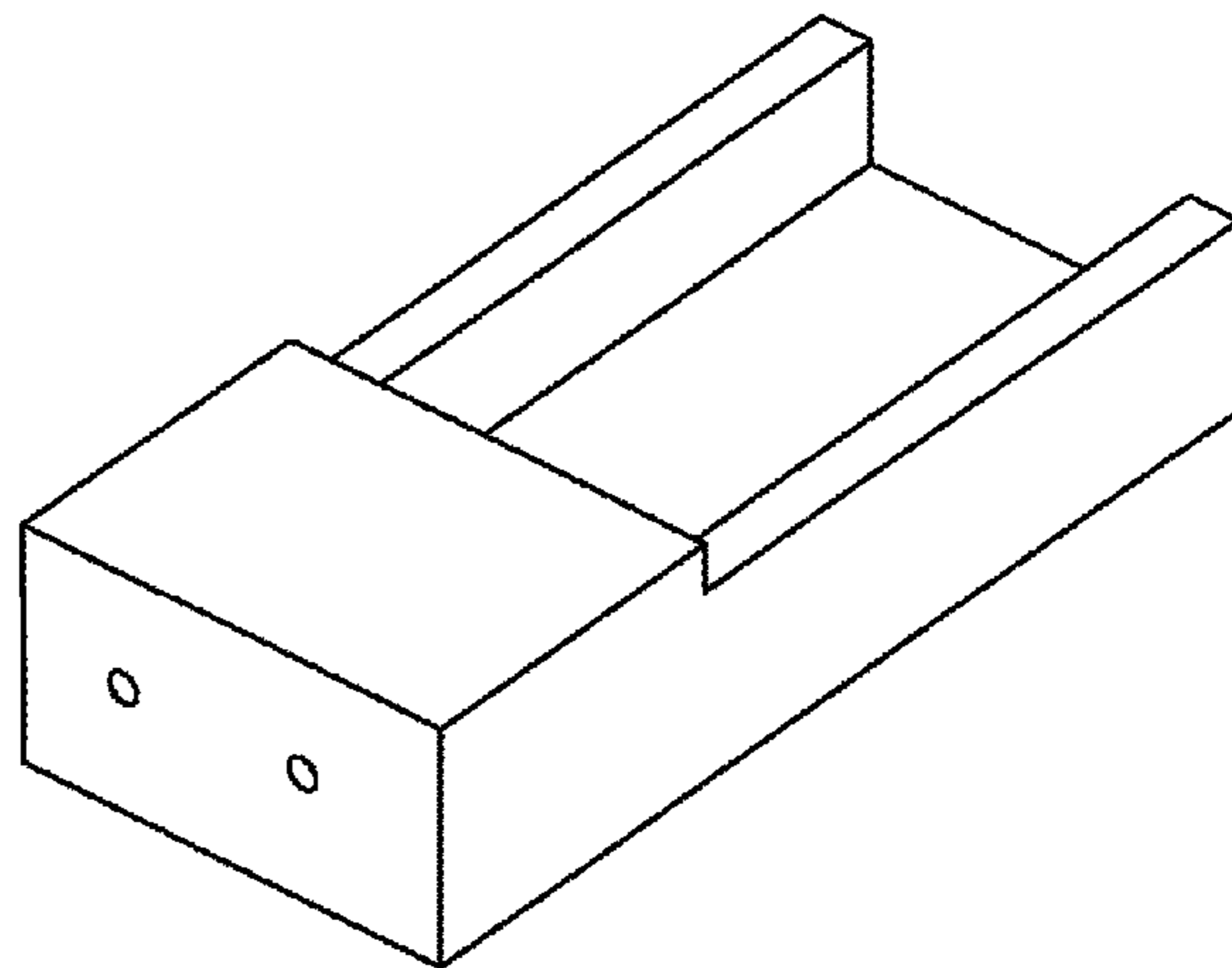
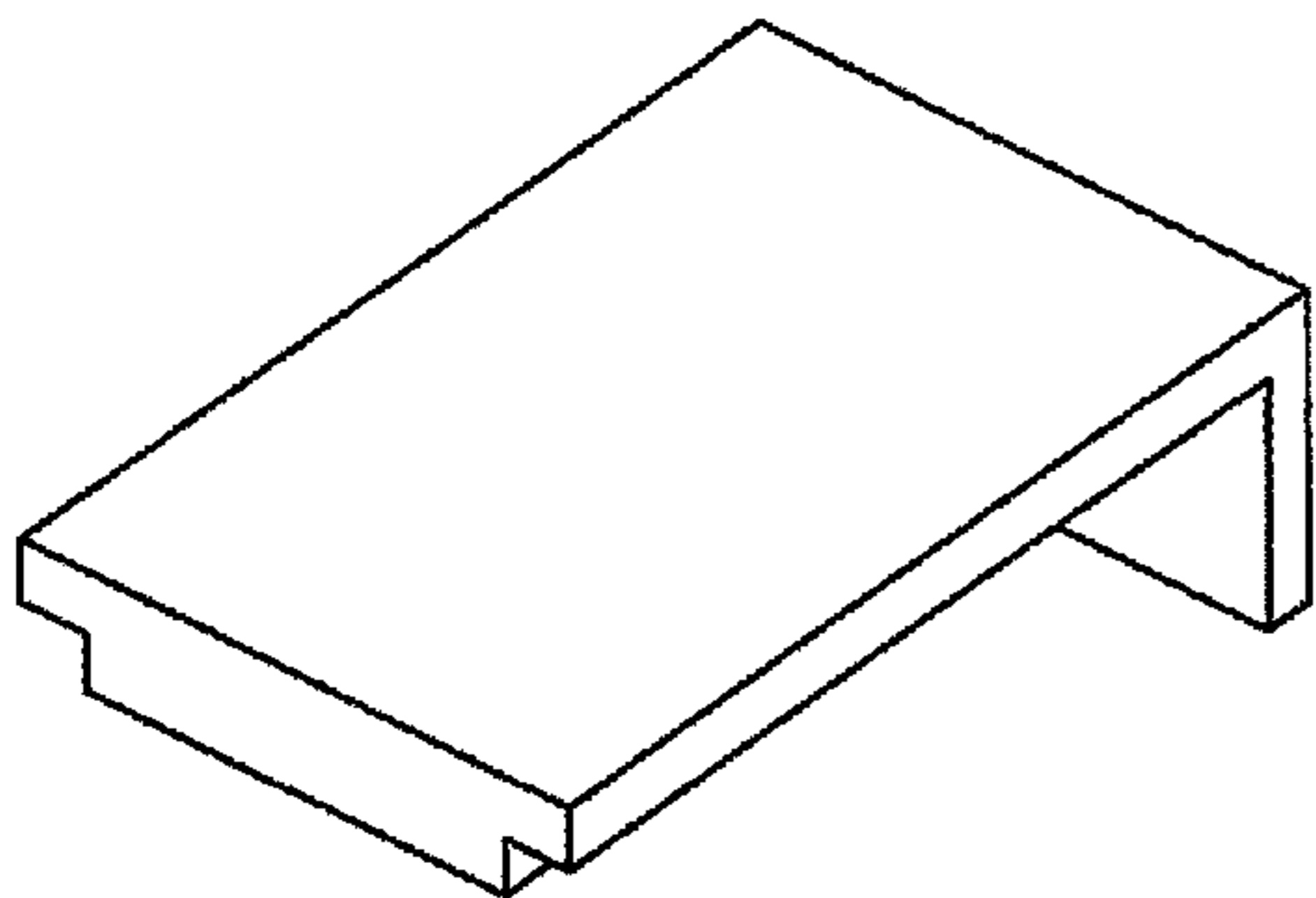
FIG. 18 is a left side elevational view thereof;

FIG. 19 is a right side elevational view thereof;

FIG. 20 is a top plan view thereof; and,

FIG. 21 is a bottom plan view of the base thereof.

1 Claim, 8 Drawing Sheets



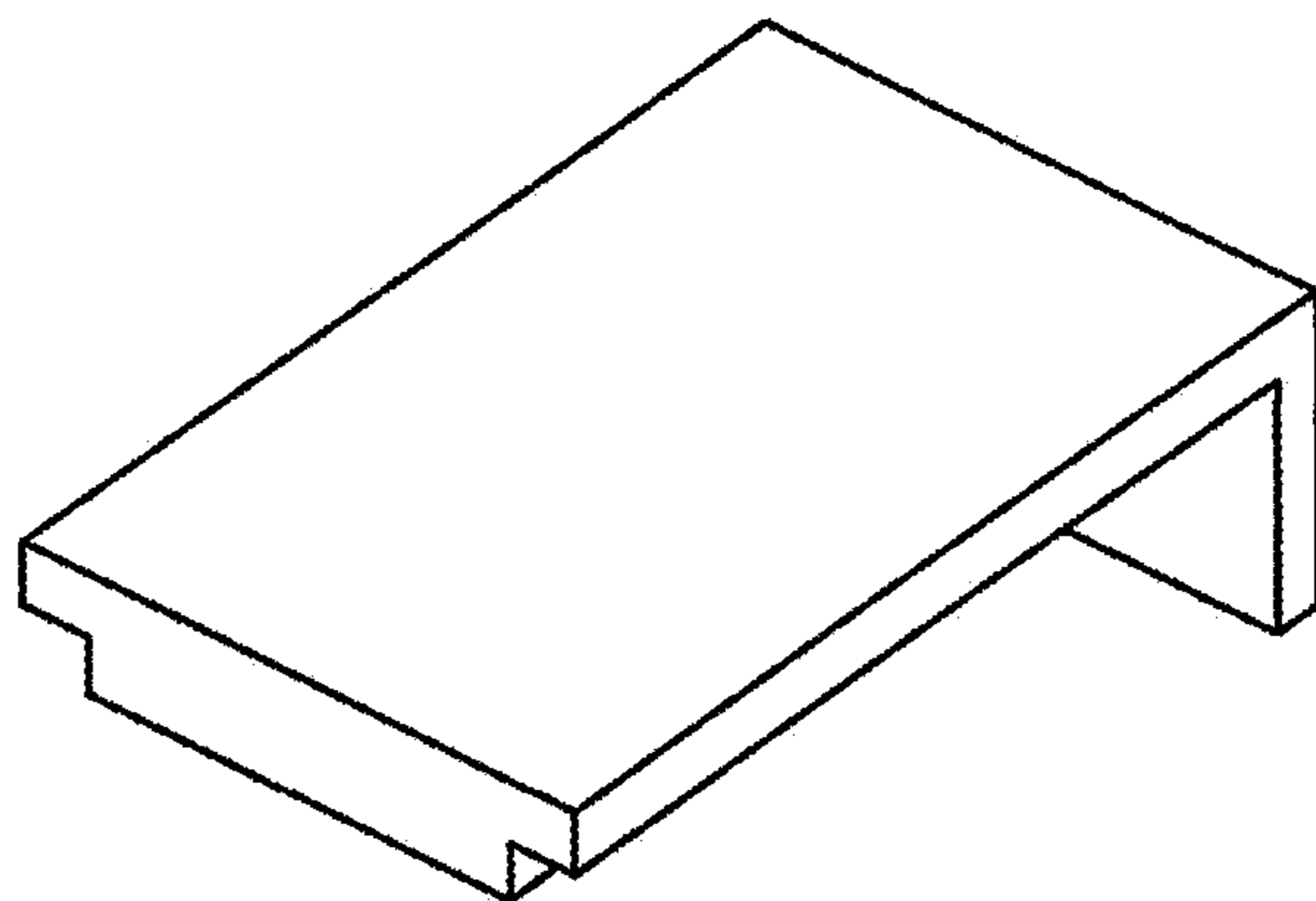


FIG. 1

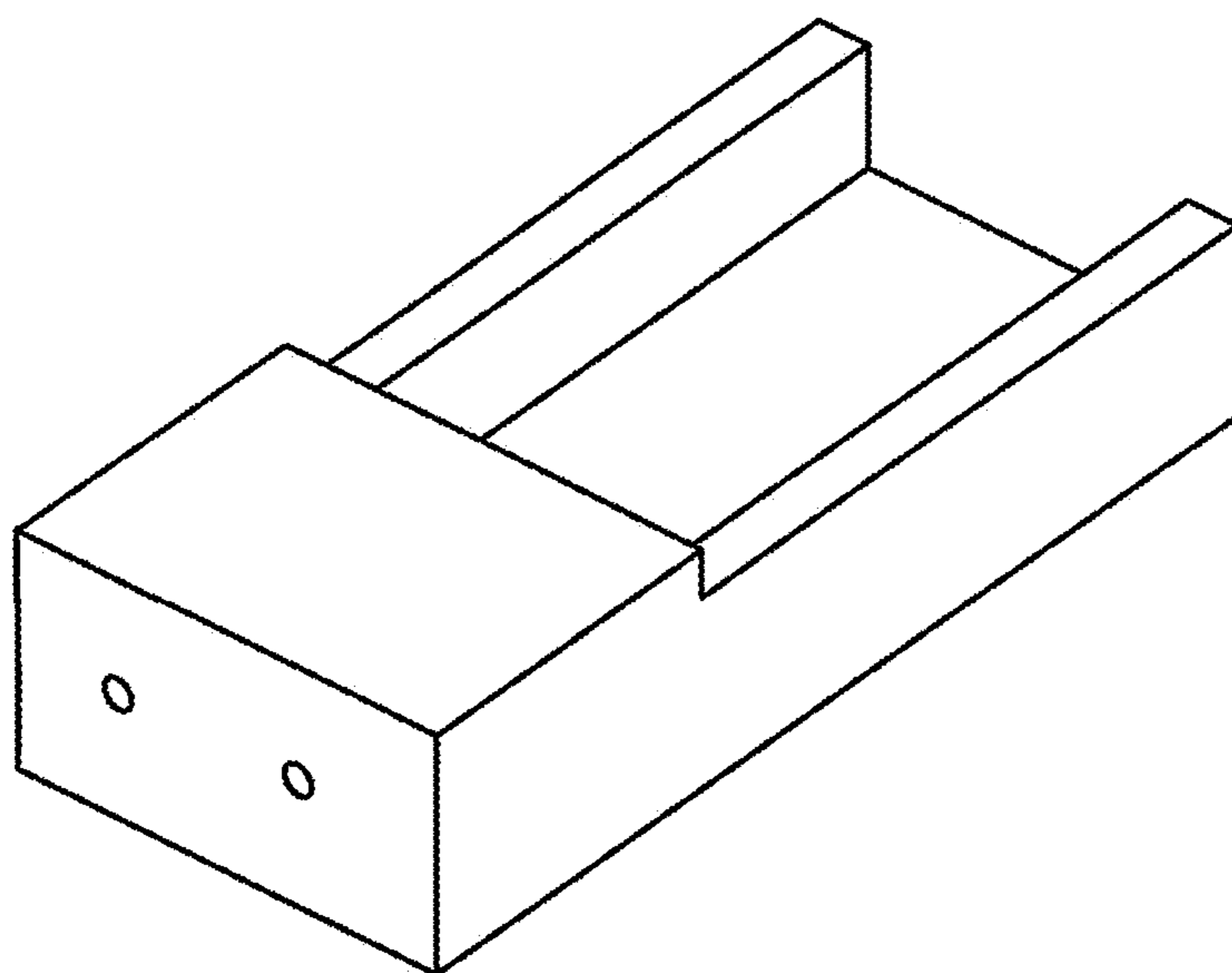


FIG. 2

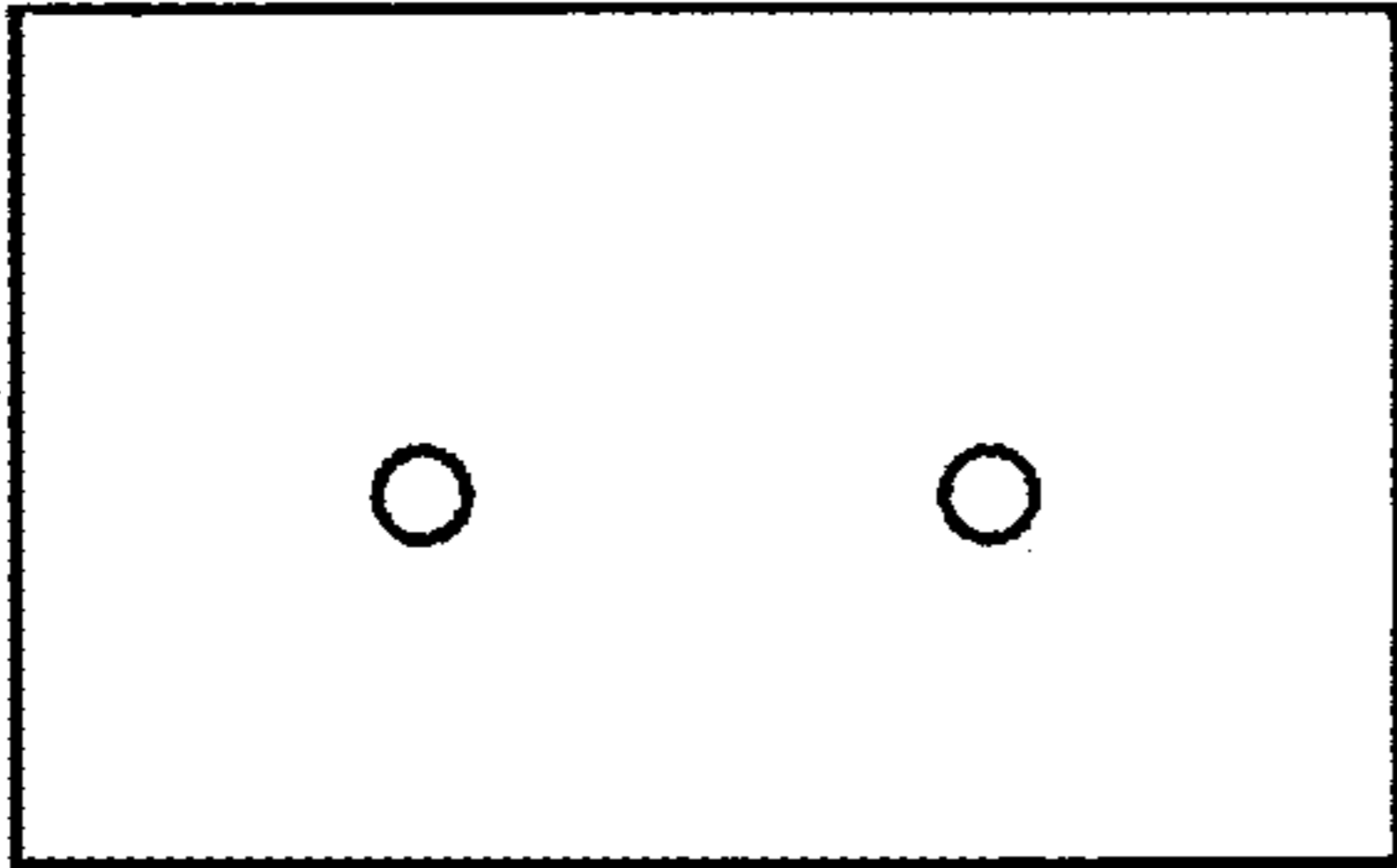


FIG. 3

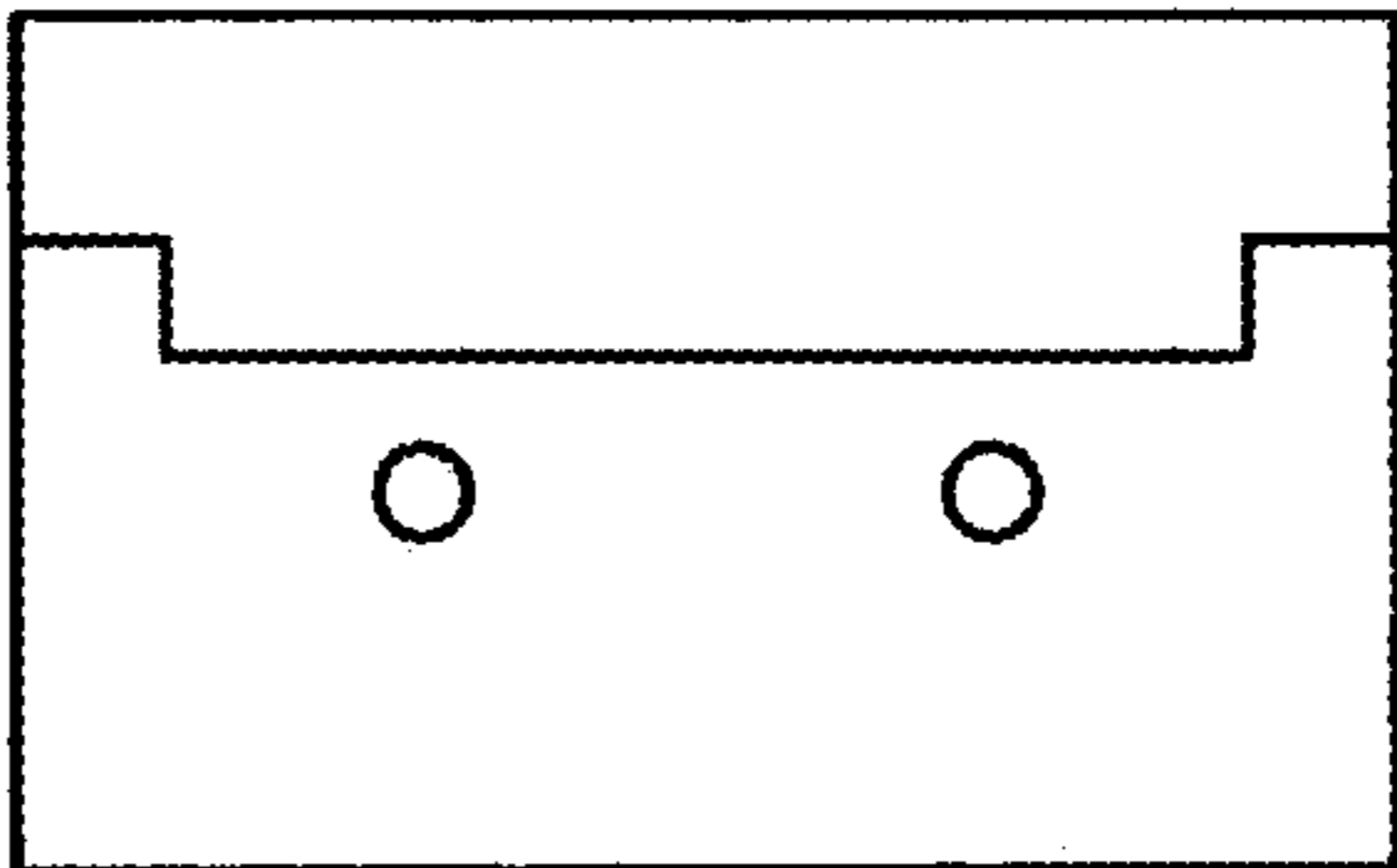


FIG. 4

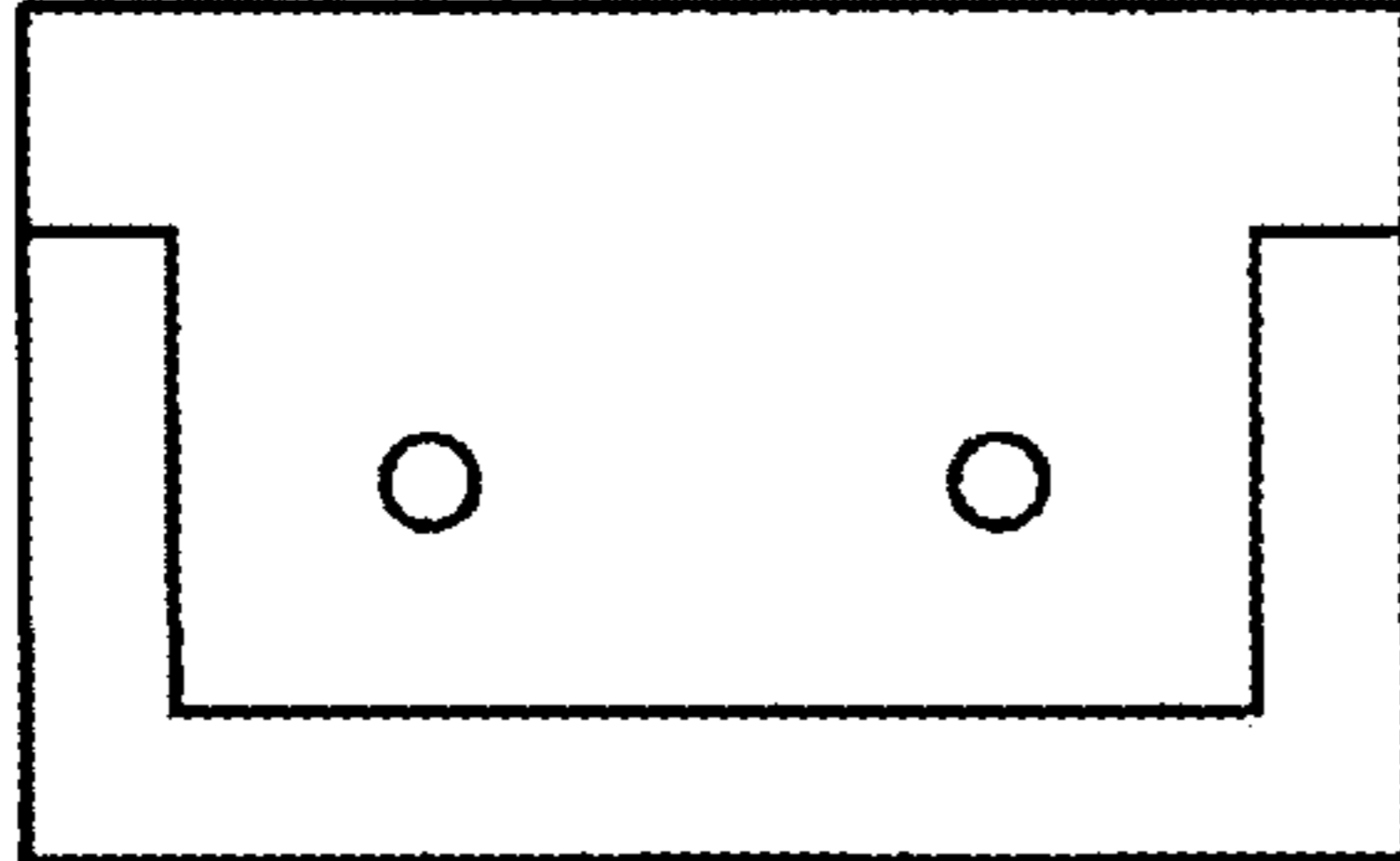


FIG. 5

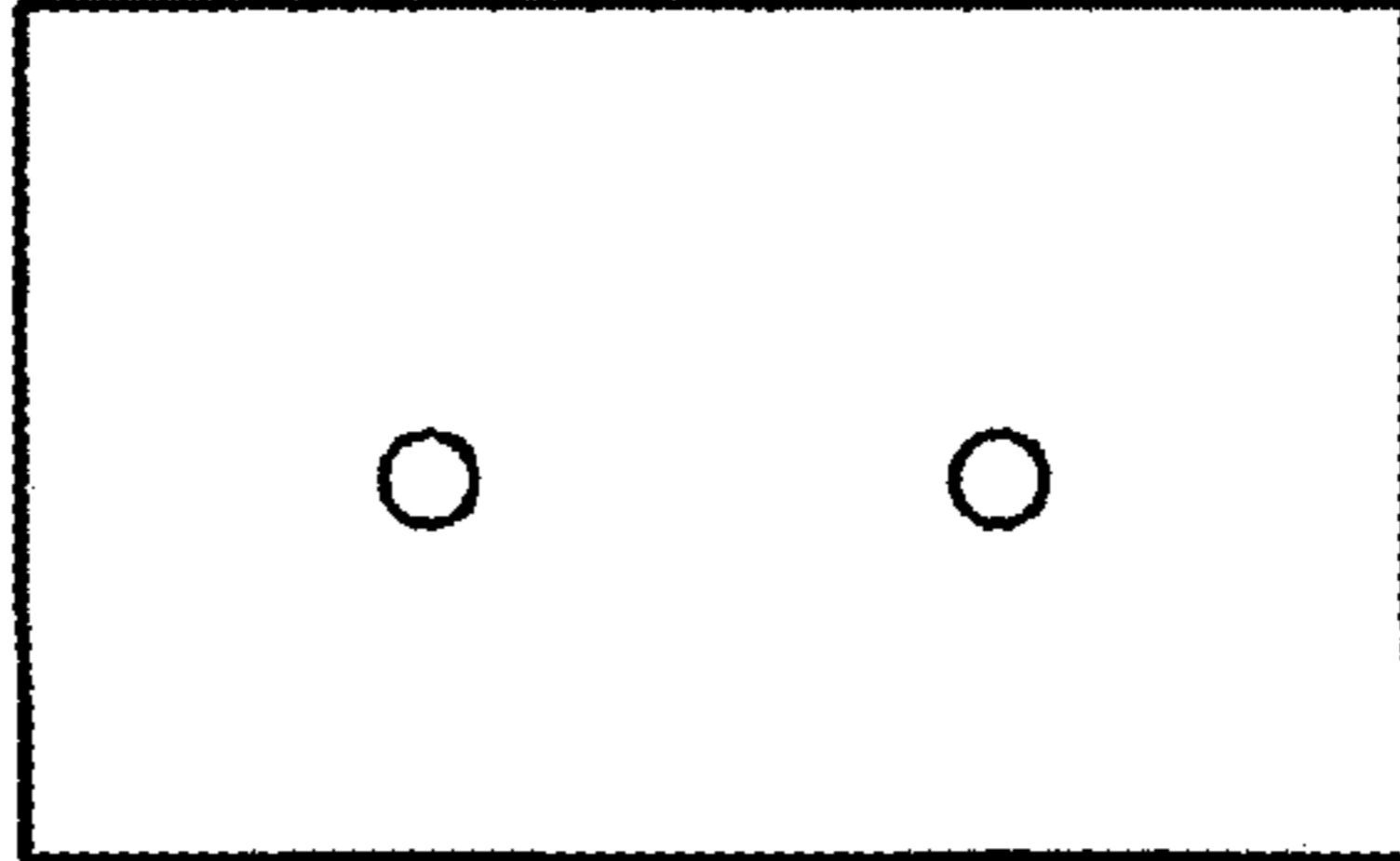


FIG. 6

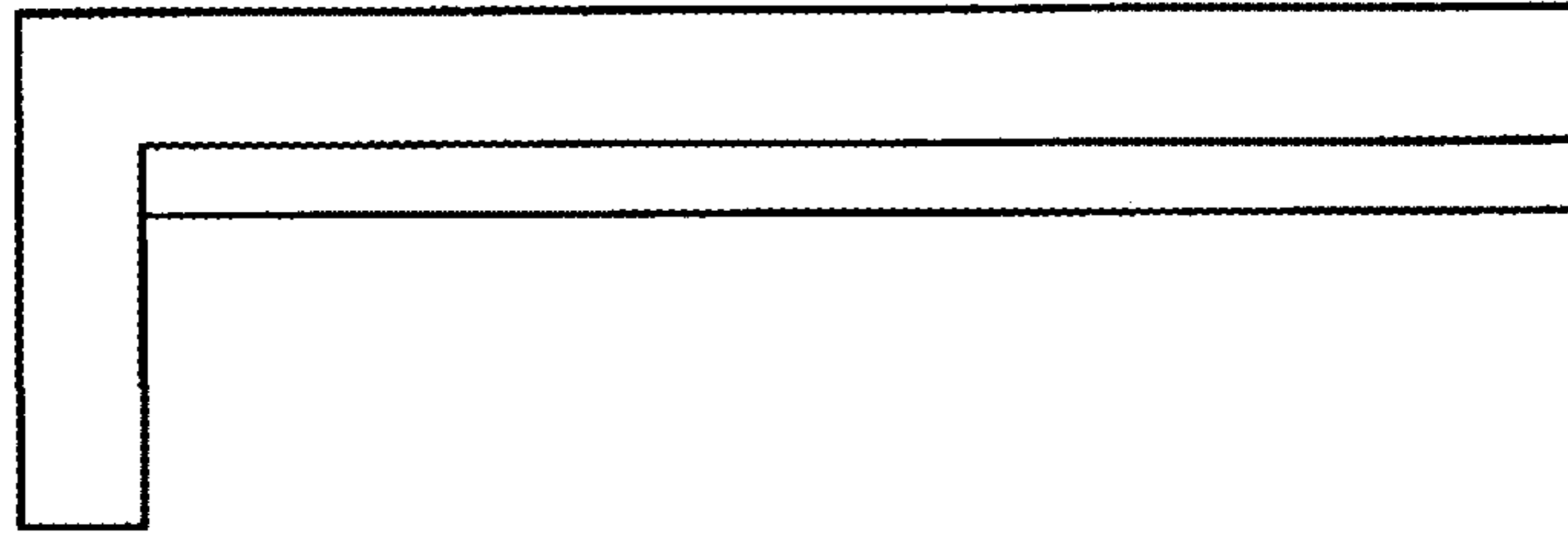


FIG. 7

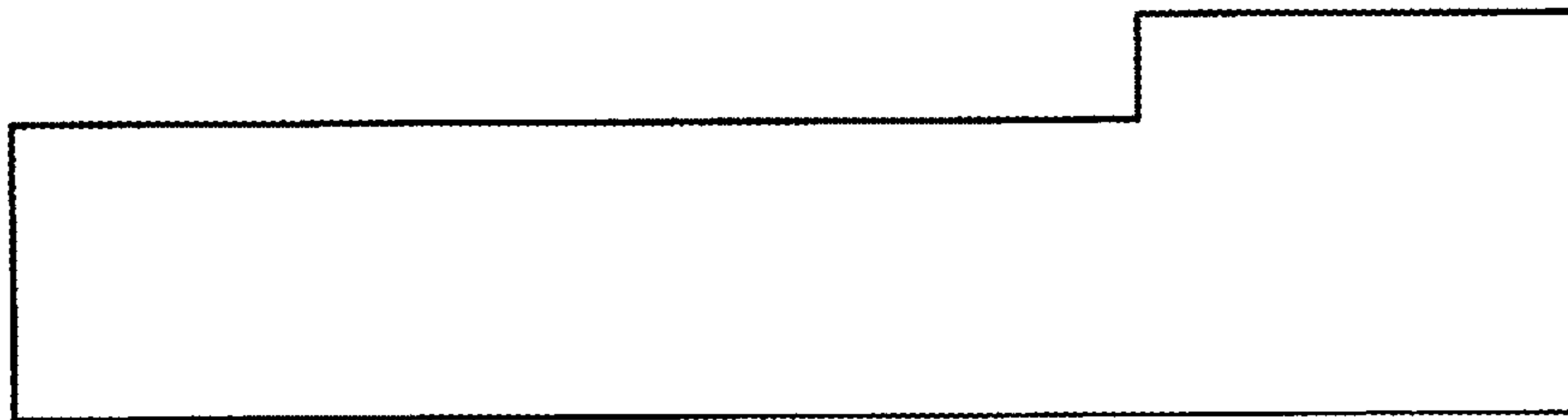


FIG. 8

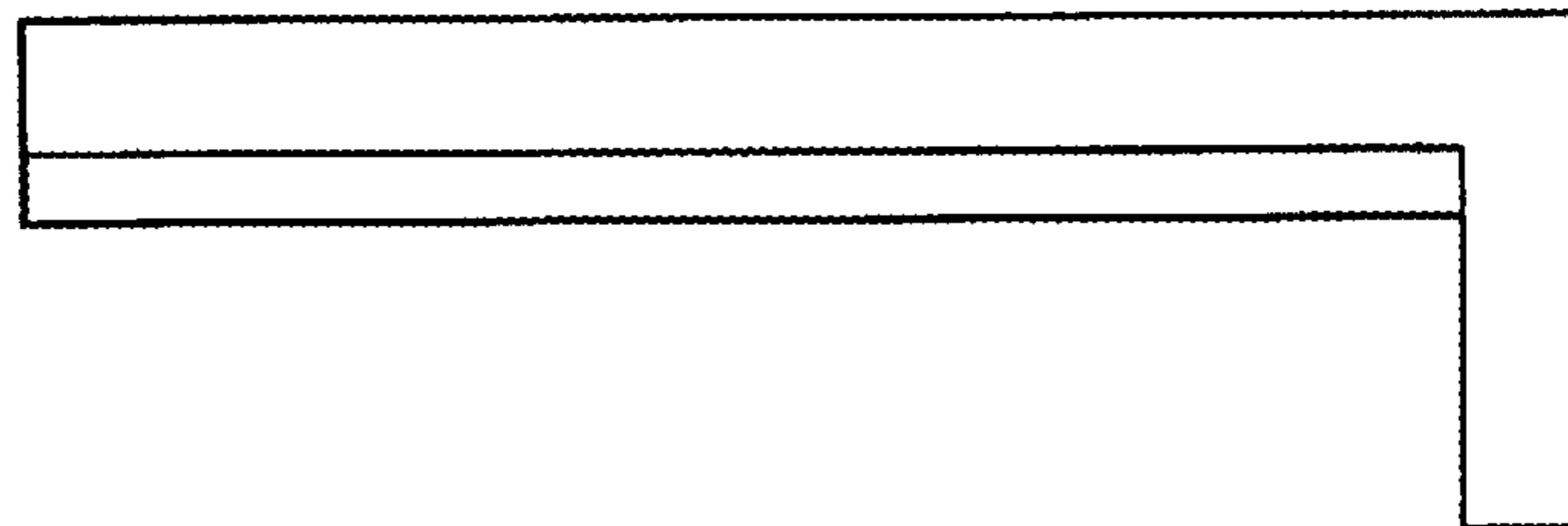


FIG. 9

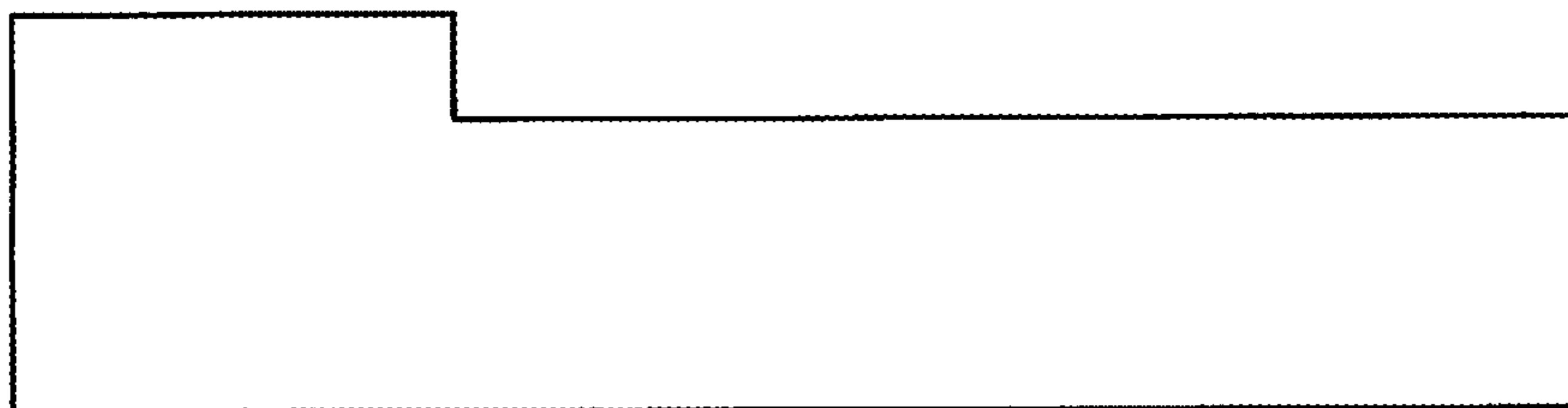


FIG. 10

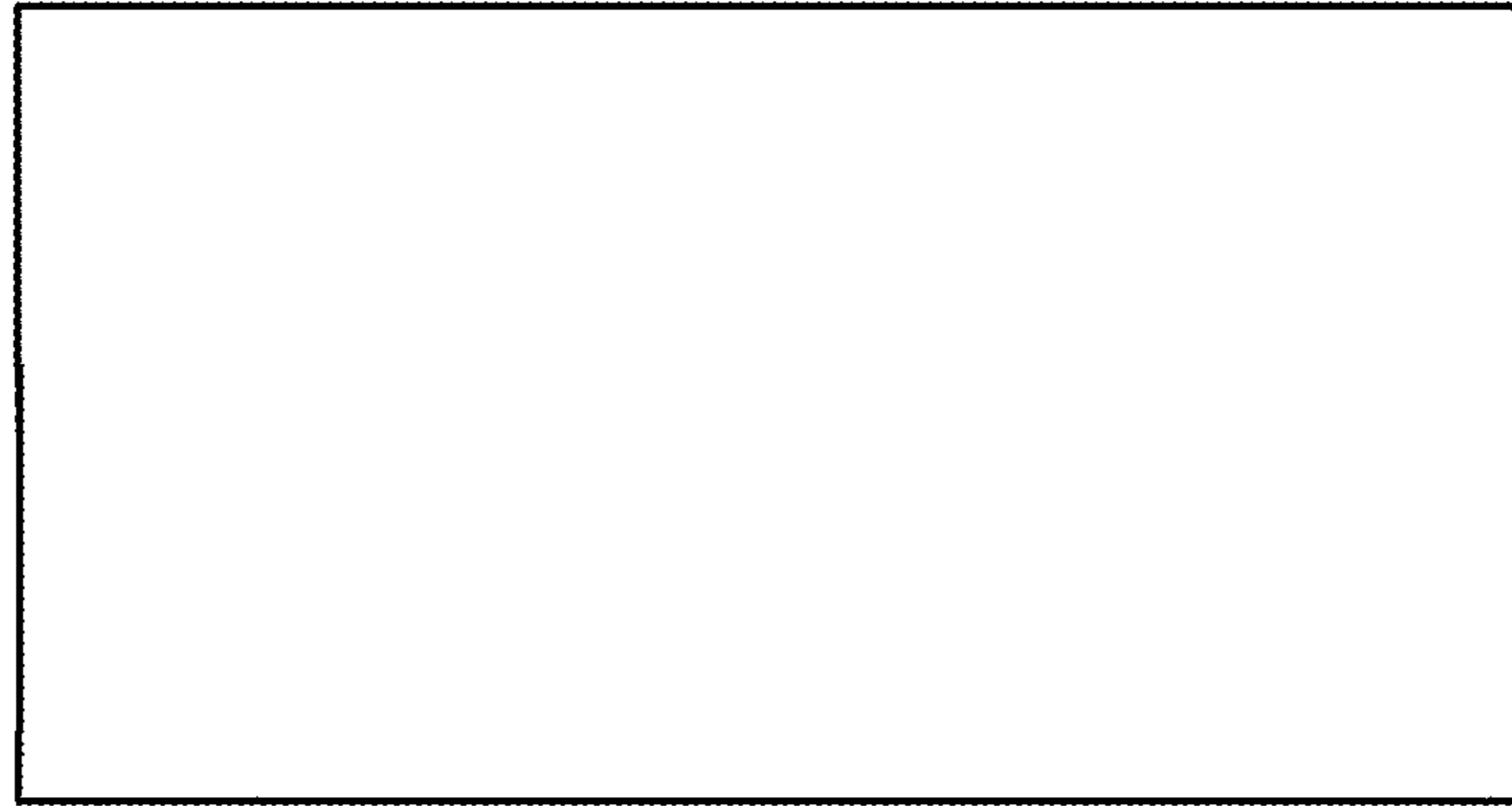


FIG. 11

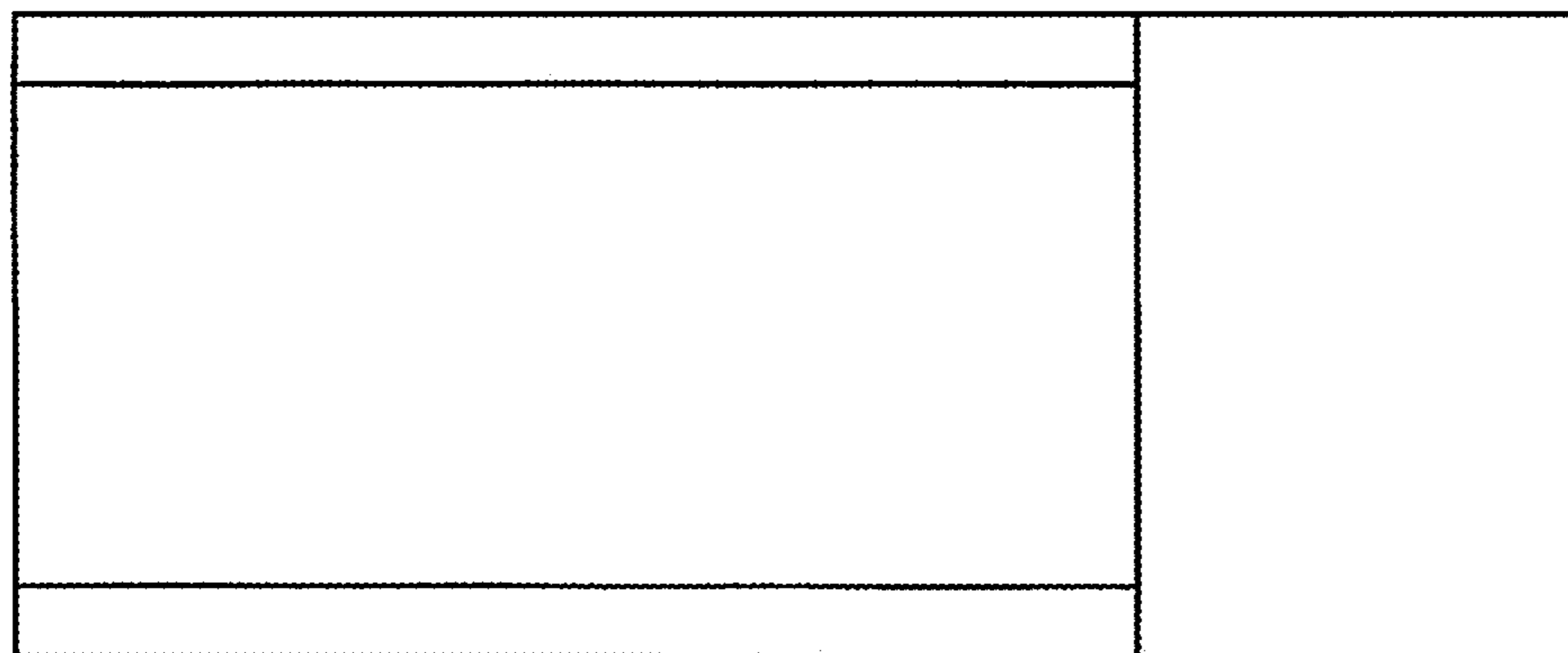


FIG. 12

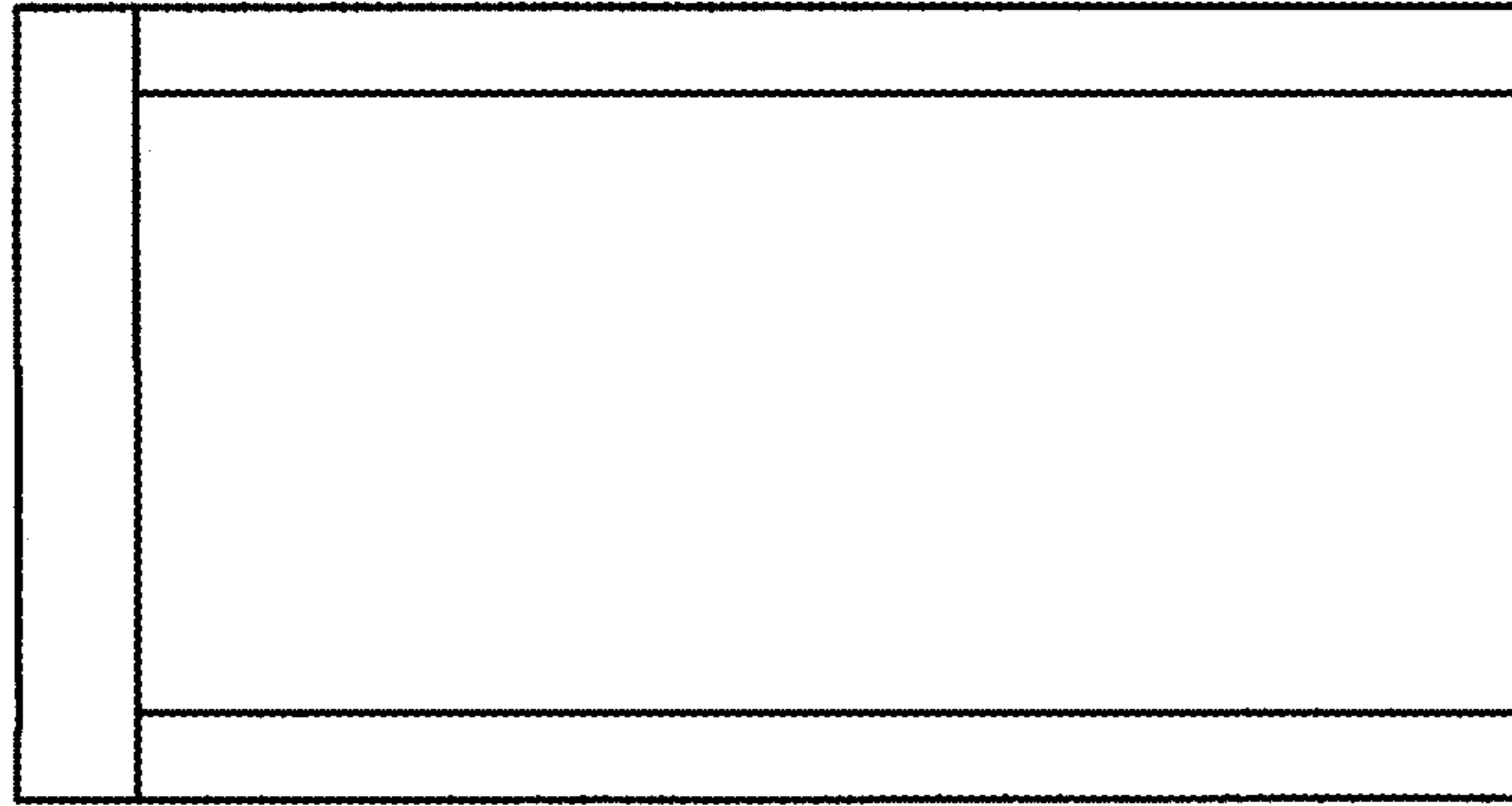


FIG. 13



FIG. 14

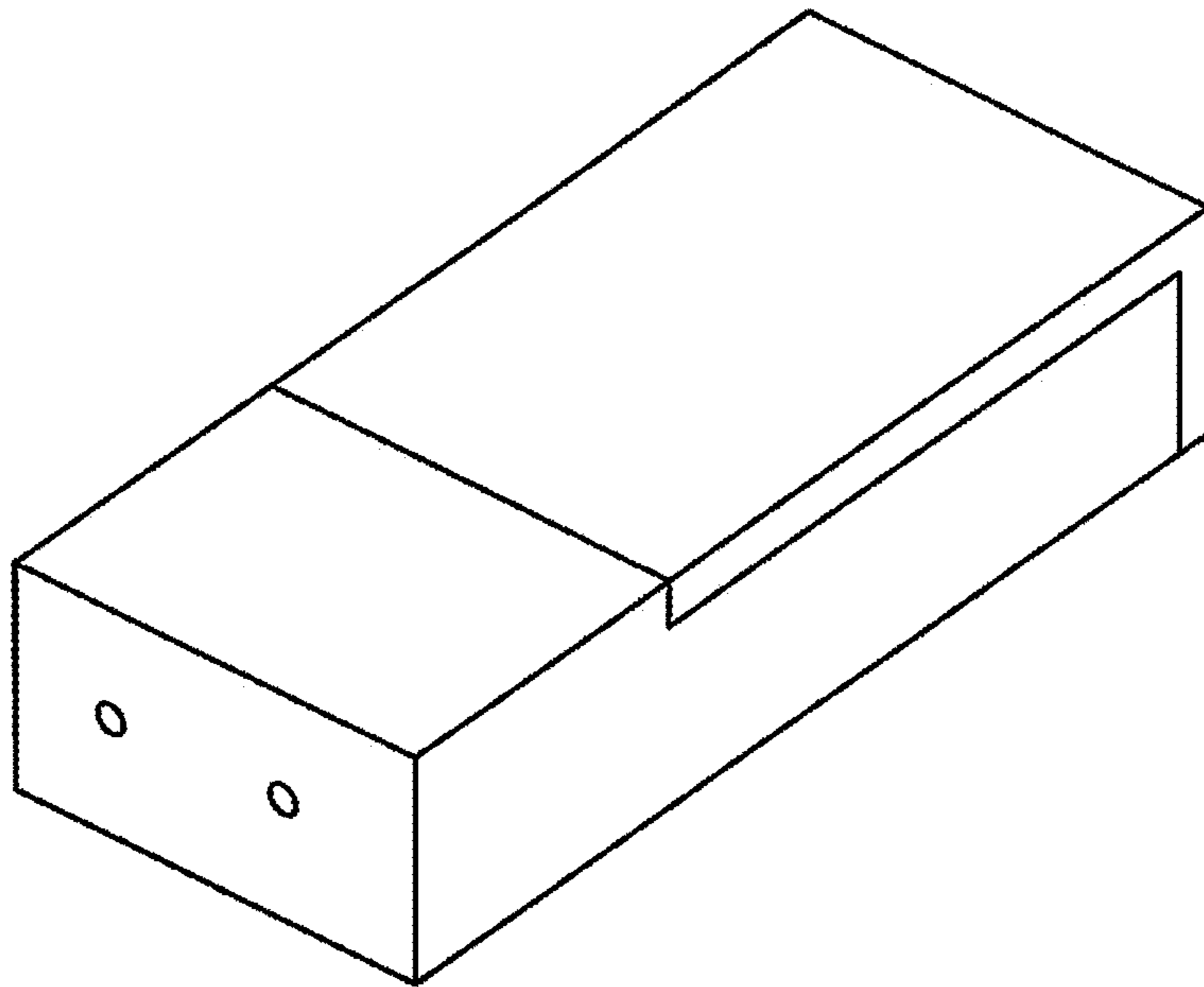


FIG. 15

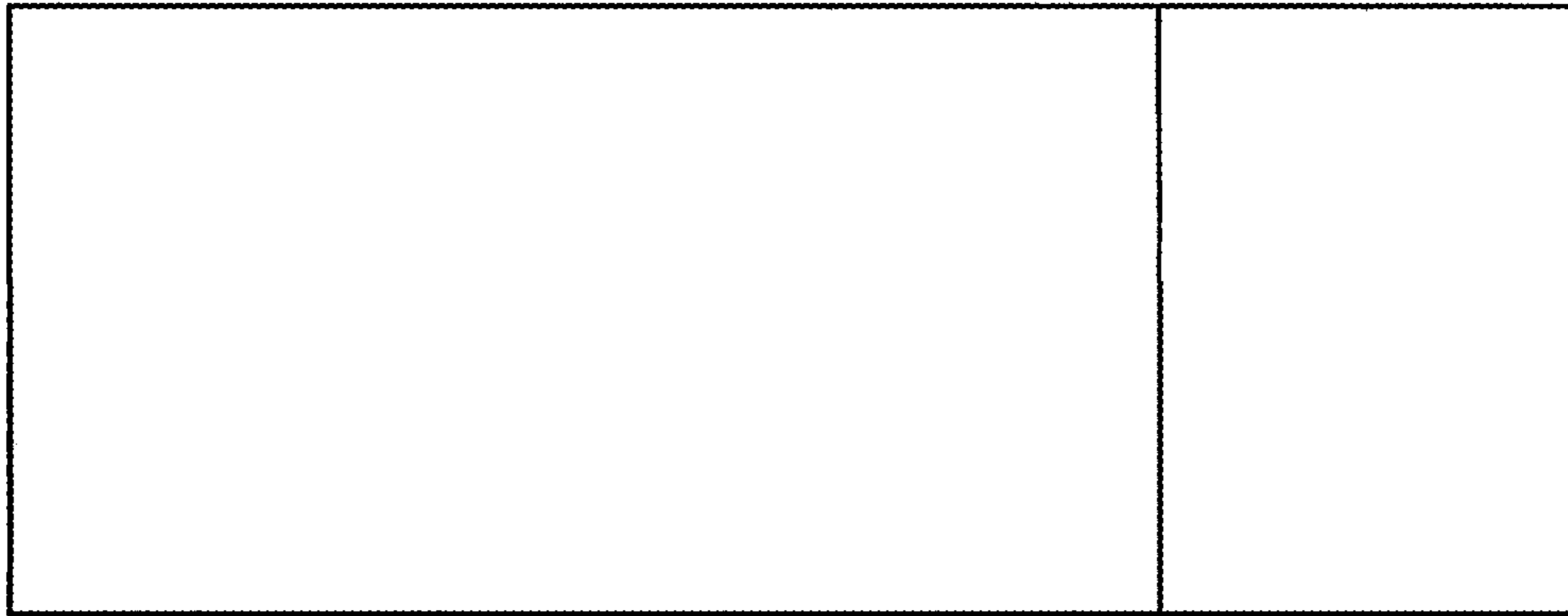


FIG. 20

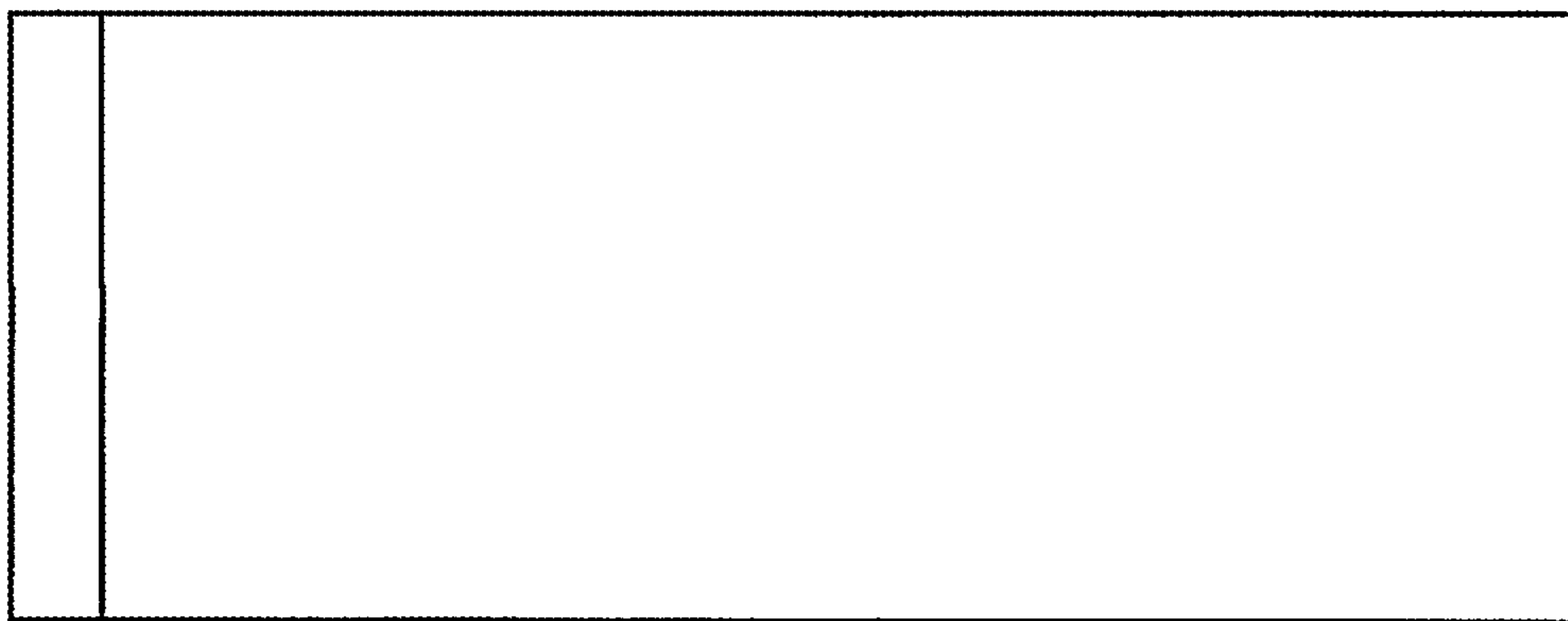


FIG. 21