



US00D686340S

(12) **United States Design Patent**
Smith et al.

(10) **Patent No.:** **US D686,340 S**
(45) **Date of Patent:** **** Jul. 16, 2013**

(54) **BIOLOGICAL SAMPLE HOLDER**

(75) Inventors: **Michael John Smith**, Cardiff (GB);
Stevan Paul Tortorella, Wells, ME (US)

(73) Assignee: **GE Healthcare UK Limited**, Little
Chalfont (GB)

(**) Term: **14 Years**

(21) Appl. No.: **29/415,882**

(22) Filed: **Mar. 15, 2012**

(30) **Foreign Application Priority Data**

Sep. 16, 2011 (GB) 4021640

(51) **LOC (9) Cl.** **24-01**

(52) **U.S. Cl.**
USPC **D24/225; D24/227**

(58) **Field of Classification Search**
USPC D24/216–217, 219, 223–226, 227,
D24/229–231, 232, 107, 121–123; D10/81;
422/547–554, 556, 558, 559, 500, 560, 561

See application file for complete search history.

(56) **References Cited**

U.S. PATENT DOCUMENTS

D433,150	S	*	10/2000	Wahlqvist et al.	D24/224
D491,273	S	*	6/2004	Biegler et al.	D24/216
D608,012	S	*	1/2010	Yamaichi et al.	D24/224
8,088,616	B2	*	1/2012	Handique	435/287.2
D665,096	S	*	8/2012	Marsche et al.	D24/227
2010/0106057	A1	*	4/2010	Harvey et al.	600/573
2011/0268630	A1	*	11/2011	Williams et al.	422/560

* cited by examiner

Primary Examiner — Anhdao Doan

(57) **CLAIM**

The ornamental design for a biological sample holder, as shown and described.

DESCRIPTION

FIG. 1 is a perspective view of the sample holder showing our new design.

FIG. 2 is a top view of the sample holder of FIG. 1.

FIG. 3 is a front view of the sample holder of FIG. 1.

FIG. 4 is a rear view of the sample holder of FIG. 1.

FIG. 5 is a left side view of the sample holder of FIG. 1.

FIG. 6 is a right side view of the sample holder of FIG. 1; and,

FIG. 7 is an underside view of the sample holder of FIG. 1.

The broken lines are included for the purpose of illustrating unclaimed portions of the biological sample holder and form no part of the claimed design.

1 Claim, 5 Drawing Sheets

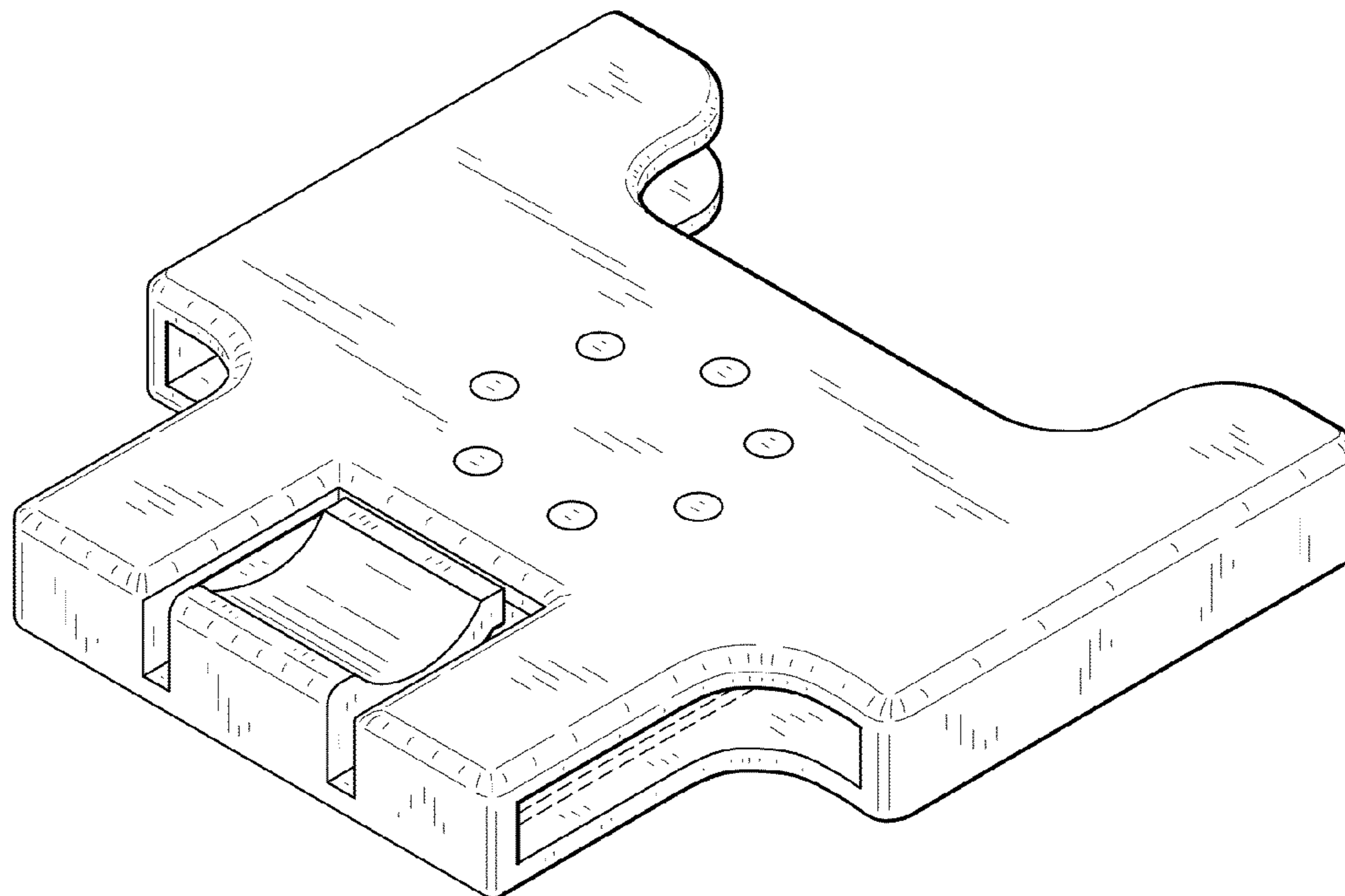


FIG. 1

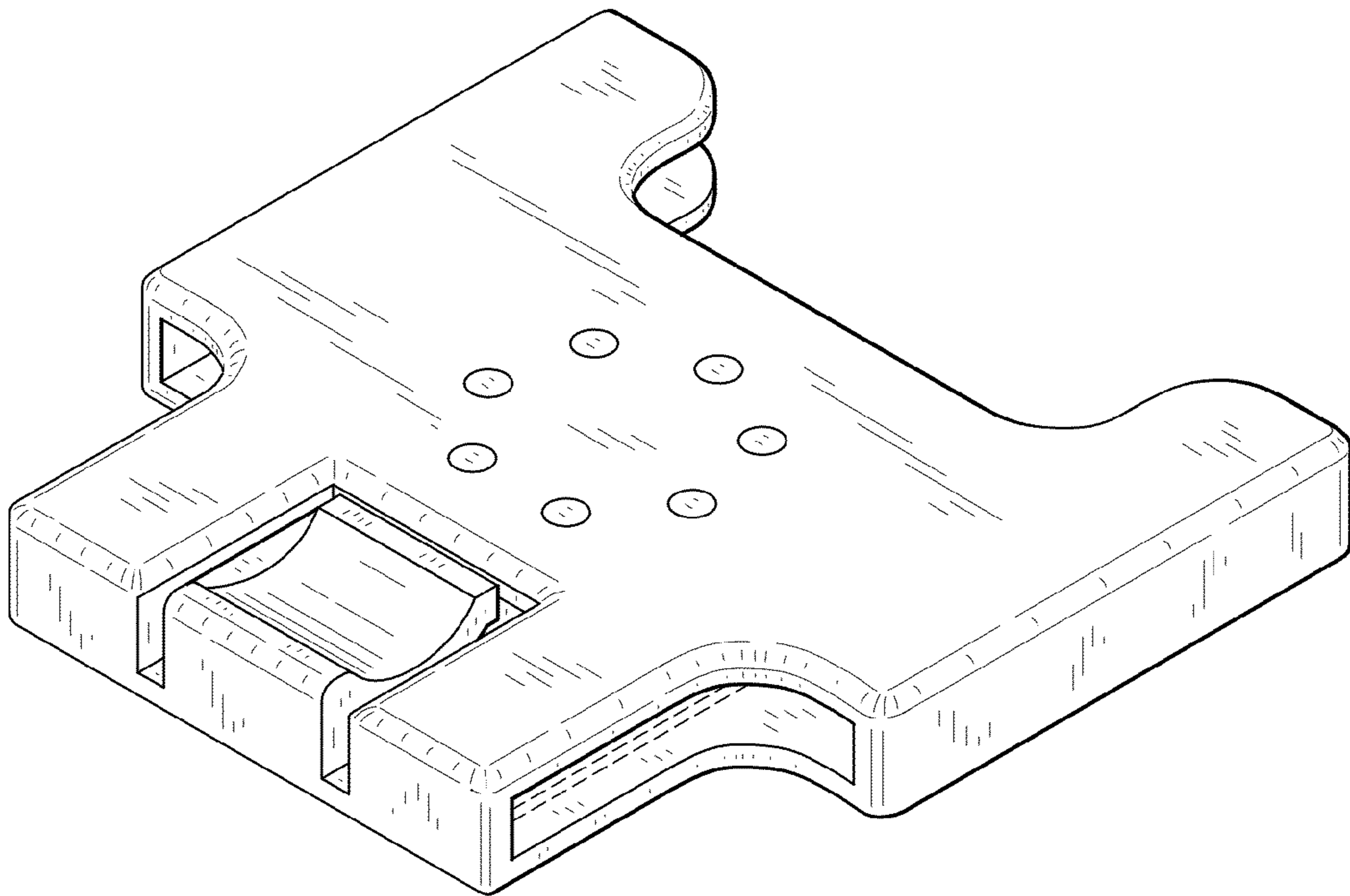


FIG. 2

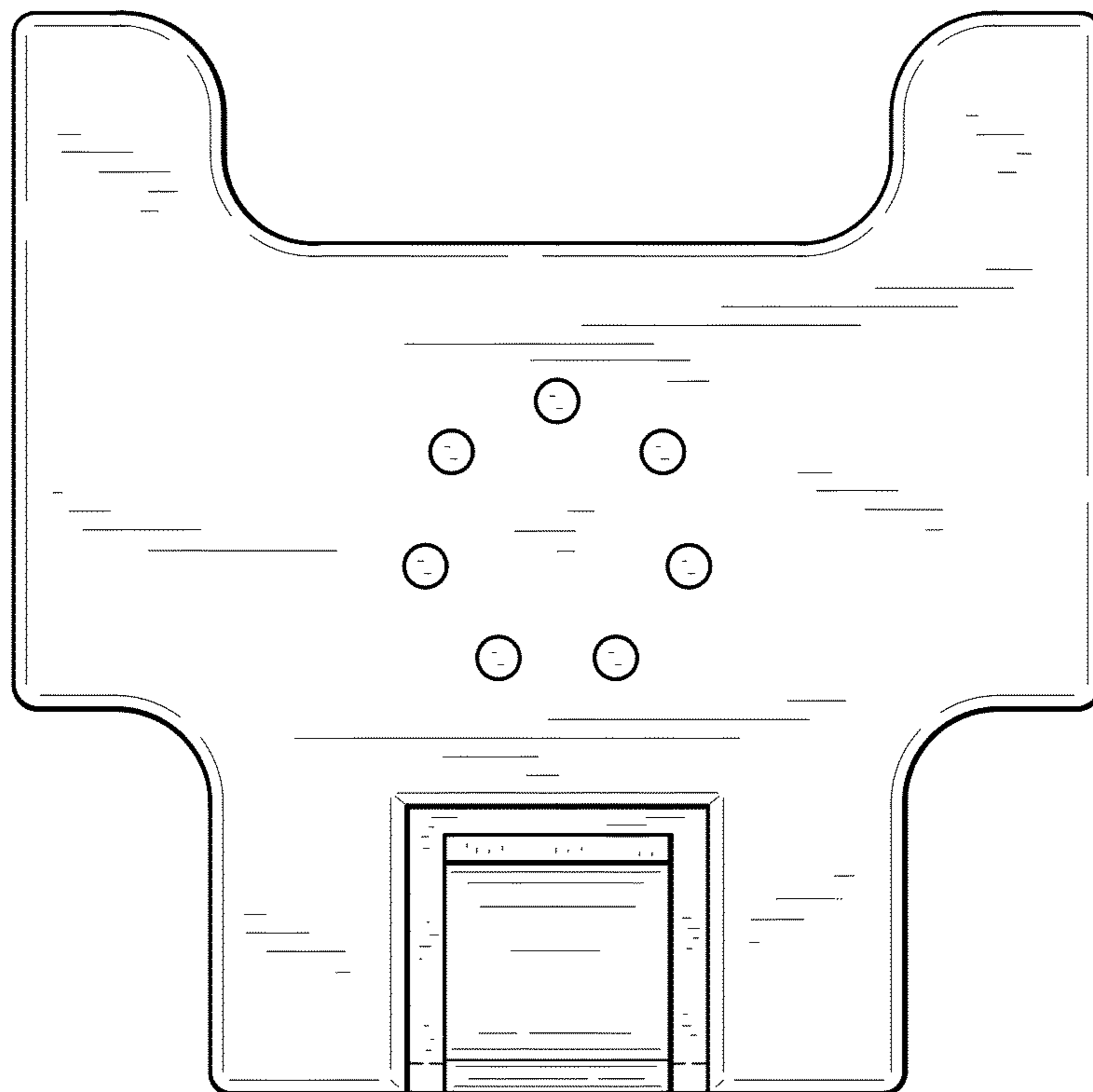


FIG. 3

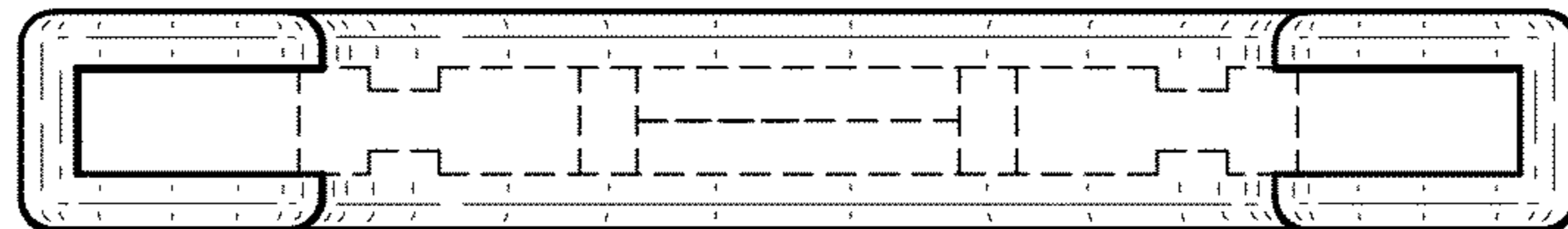


FIG. 4

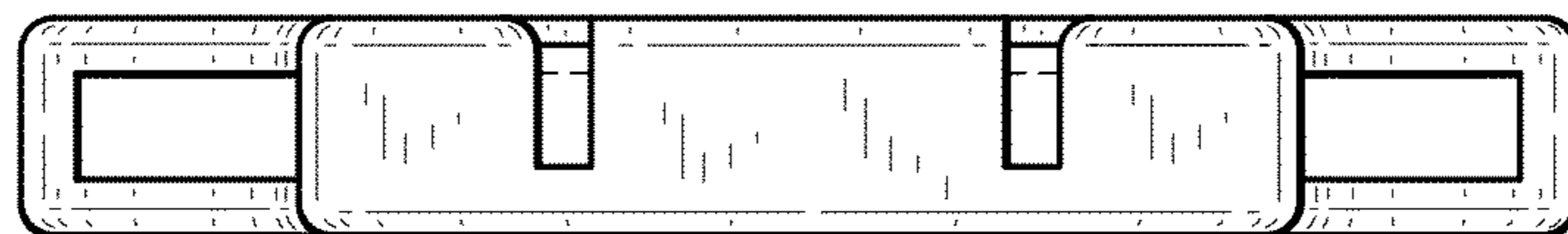


FIG. 5

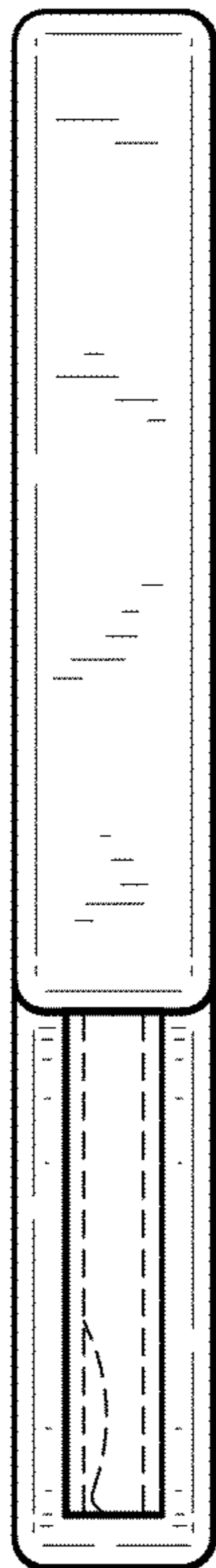


FIG. 6

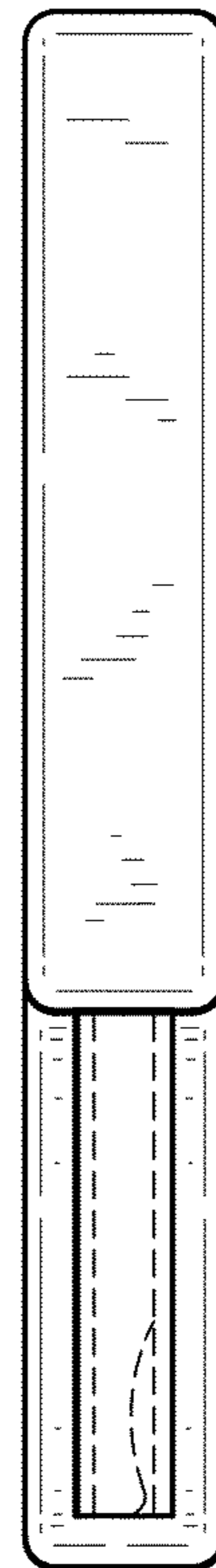


FIG. 7

