



US00D686339S

(12) **United States Design Patent**  
**Shima et al.**

(10) **Patent No.:** **US D686,339 S**  
(45) **Date of Patent:** **\*\* Jul. 16, 2013**

(54) **ELASTOMERIC STOPPER FOR CONTAINERS OF PHARMACEUTICAL PREPARATIONS**

(71) Applicants: **Towa Pharmaceutical Co., Ltd.**, Osaka (JP); **Sumitomo Rubber Industries, Ltd.**, Hyogo (JP)

(72) Inventors: **Nobutaka Shima**, Yamagata (JP); **Junji Tashiro**, Hyogo (JP); **Manabu Ikuta**, Hyogo (JP)

(73) Assignees: **Towa Pharmaceutical Co., Ltd.**, Osaka (JP); **Sumitomo Rubber Industries, Ltd.**, Hyogo (JP)

(\*\*) Term: **14 Years**

(21) Appl. No.: **29/439,663**

(22) Filed: **Dec. 13, 2012**

(30) **Foreign Application Priority Data**

Jun. 14, 2012 (JP) ..... 2012-014122

(51) **LOC (9) Cl.** ..... **24-01**

(52) **U.S. Cl.**  
USPC ..... **D24/224**

(58) **Field of Classification Search**  
USPC ..... D24/216-217, 219, 223-226, 227, D24/229-231, 232, 107, 121-123; D10/81; 422/500, 547, 554, 556, 550, 568; 435/288.1, 435/304.1, 304.3; D9/500, 516, 519, 545, D9/574, 439; 215/355

See application file for complete search history.

(56) **References Cited**

U.S. PATENT DOCUMENTS

4,444,330	A	*	4/1984	Kasai et al.	215/247
D289,796	S	*	5/1987	Larkin	D24/224
D301,118	S	*	5/1989	Baxter	D24/224
D315,680	S	*	3/1991	Baxter	D24/224
D328,252	S	*	7/1992	Miyake	D24/224
D422,357	S	*	4/2000	Niedospial et al.	D24/129
D545,207	S	*	6/2007	De Baschmakoff	D9/439

\* cited by examiner

*Primary Examiner* — Anhdao Doan

(74) *Attorney, Agent, or Firm* — Millen, White, Zelano & Branigan, P.C.

(57) **CLAIM**

The ornamental design for an elastomeric stopper for containers of pharmaceutical preparations, as shown and described.

**DESCRIPTION**

FIG. 1 is a front elevational view of the elastomeric stopper for containers of pharmaceutical preparations showing my new design.

FIG. 2 is a left side elevational view thereof.

FIG. 3 is a top plan view thereof.

FIG. 4 is a bottom plan view thereof.

FIG. 5 is a sectional view taken in the direction of the arrows on line 5-5 of FIG. 3.

FIG. 6 is a perspective view of thereof; and,

FIG. 7 is another perspective view of thereof.

**1 Claim, 4 Drawing Sheets**

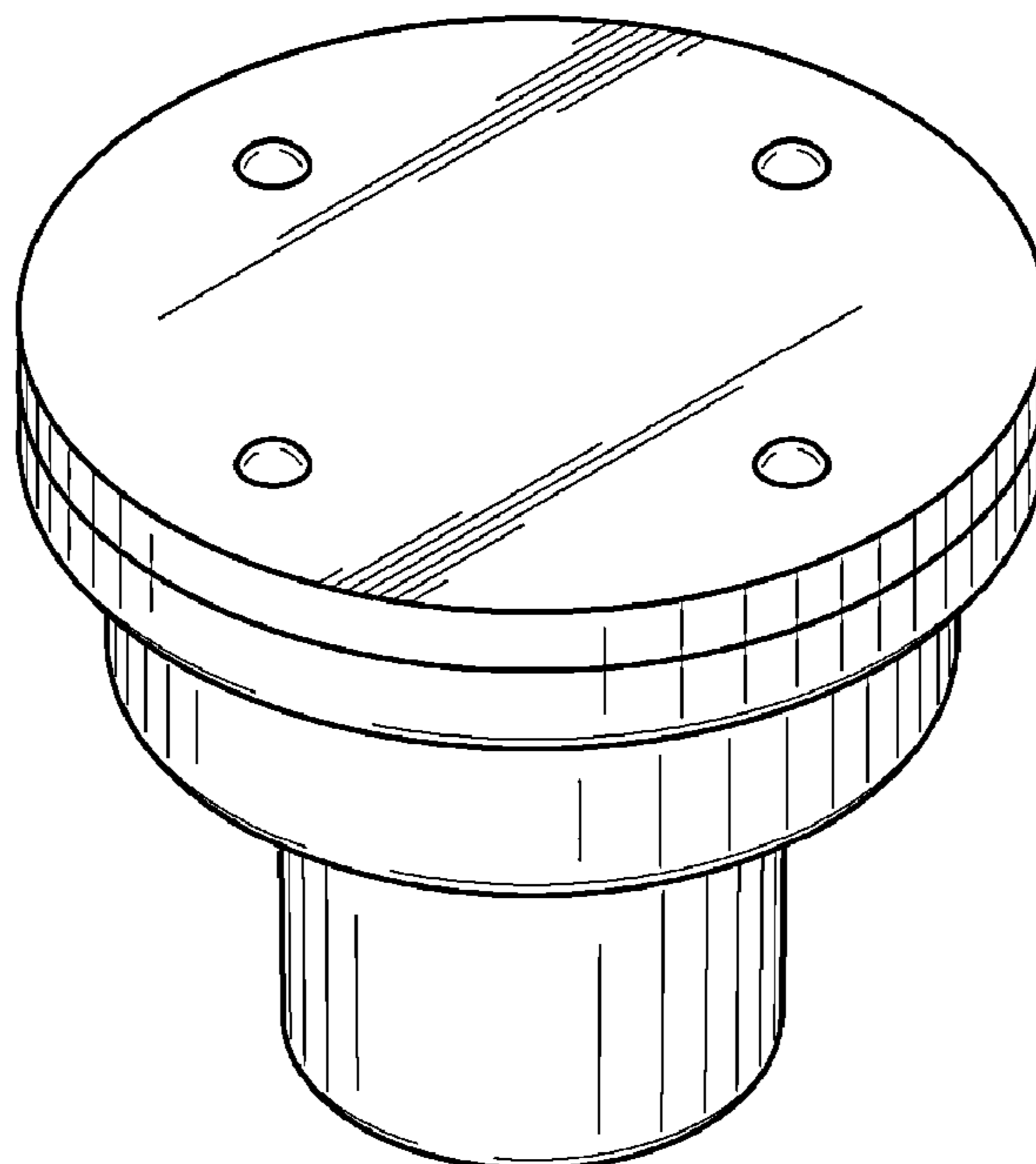


FIG. 1

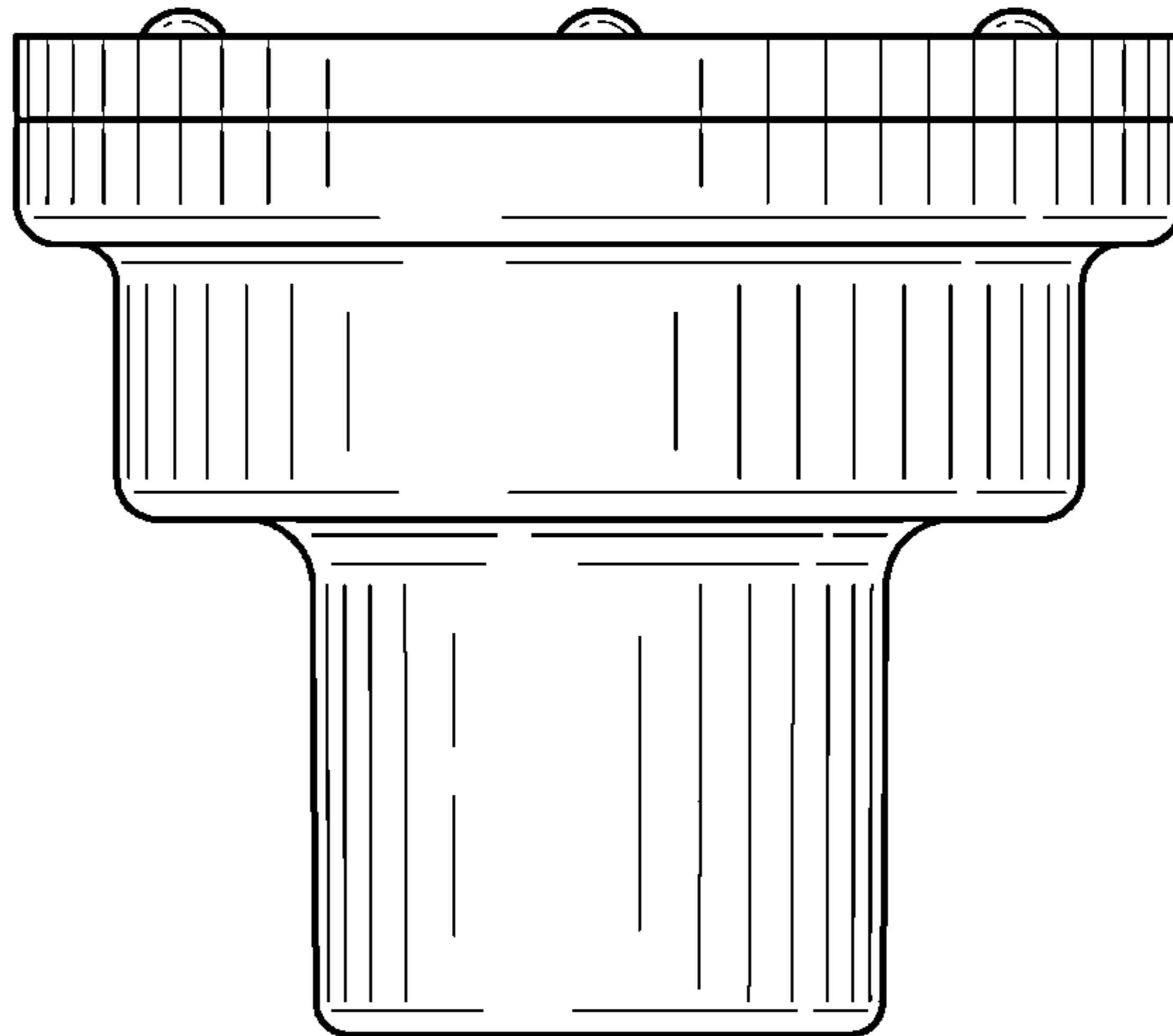


FIG. 2

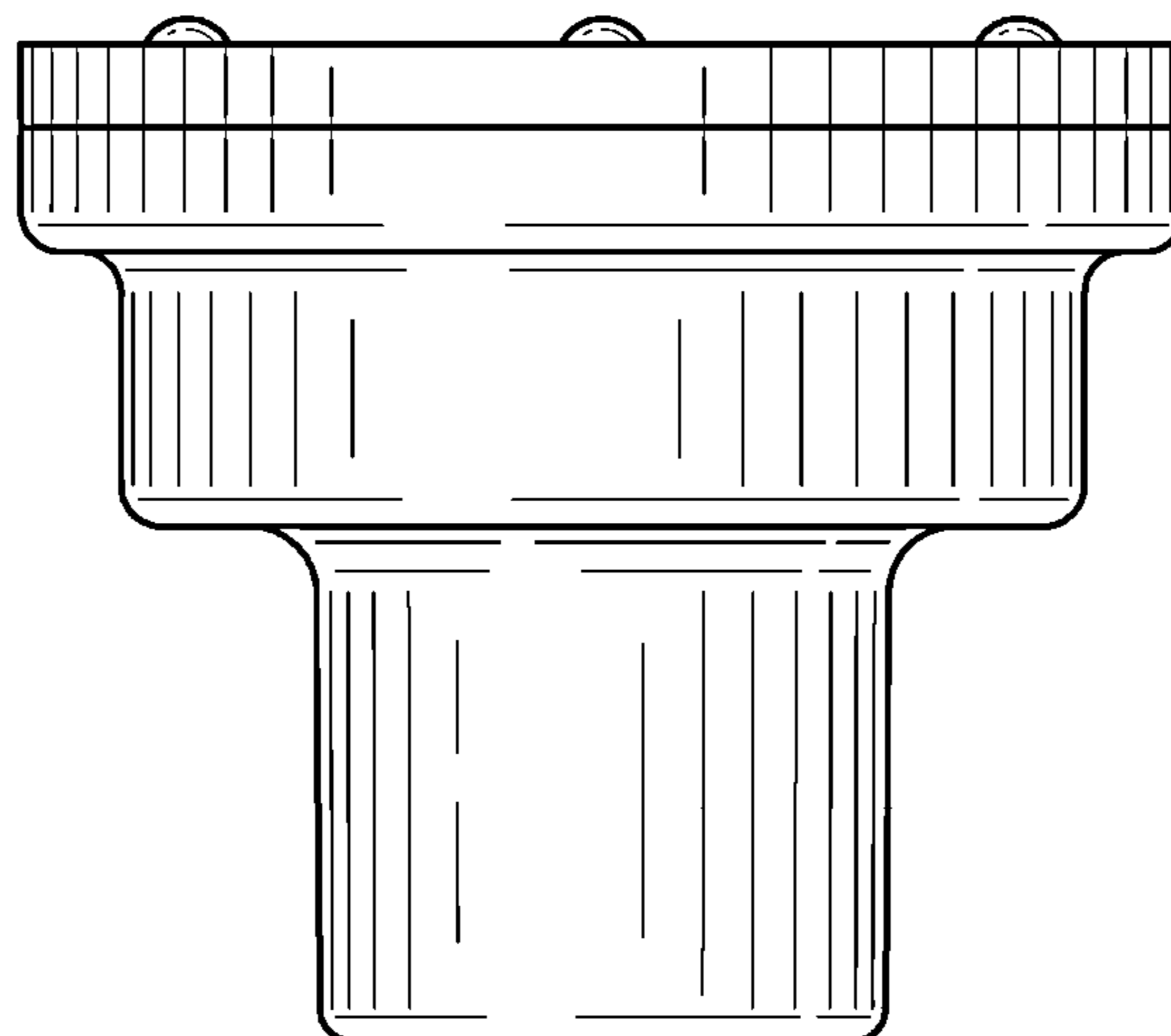


FIG. 3

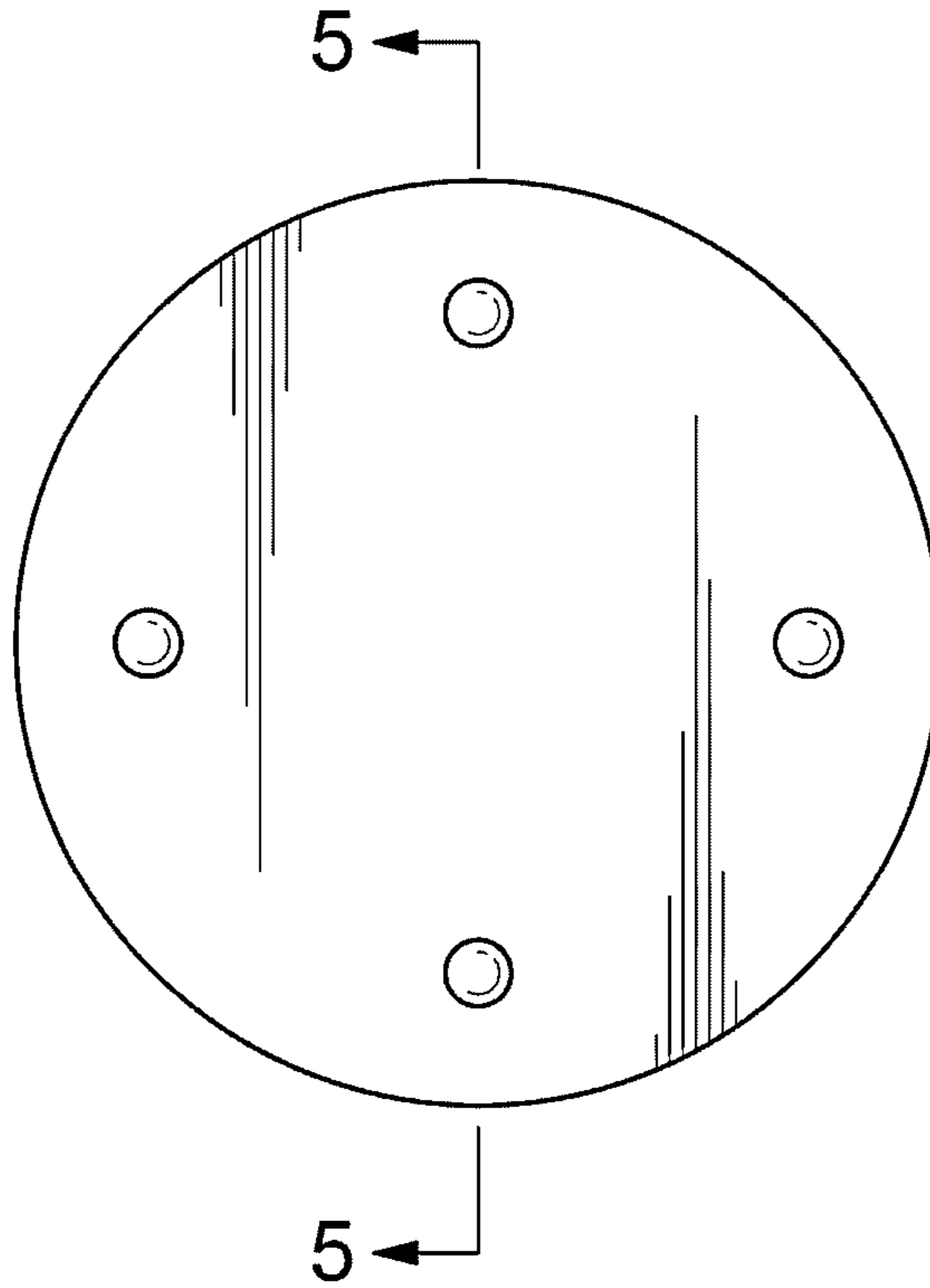


FIG. 4

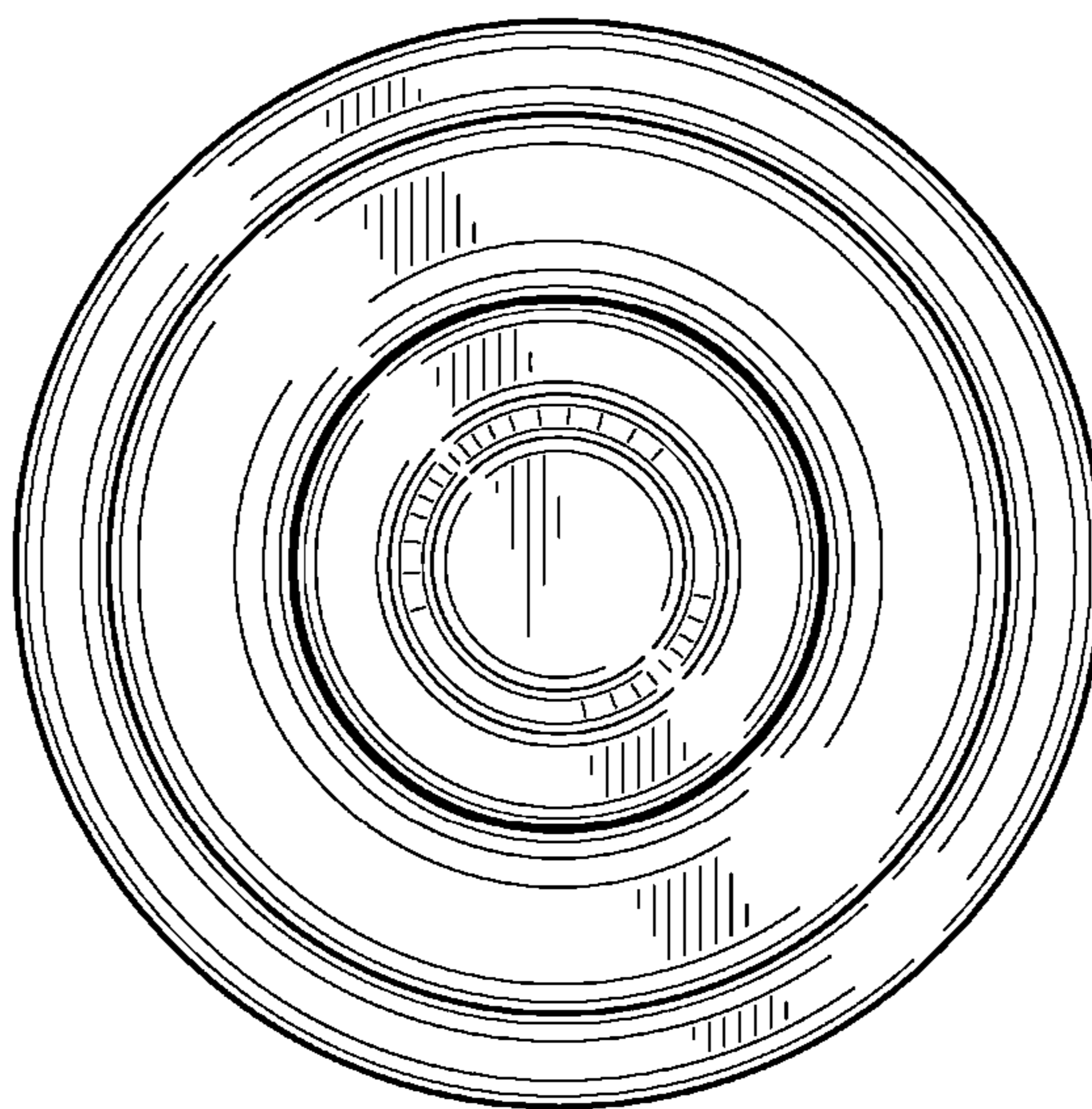


FIG. 5

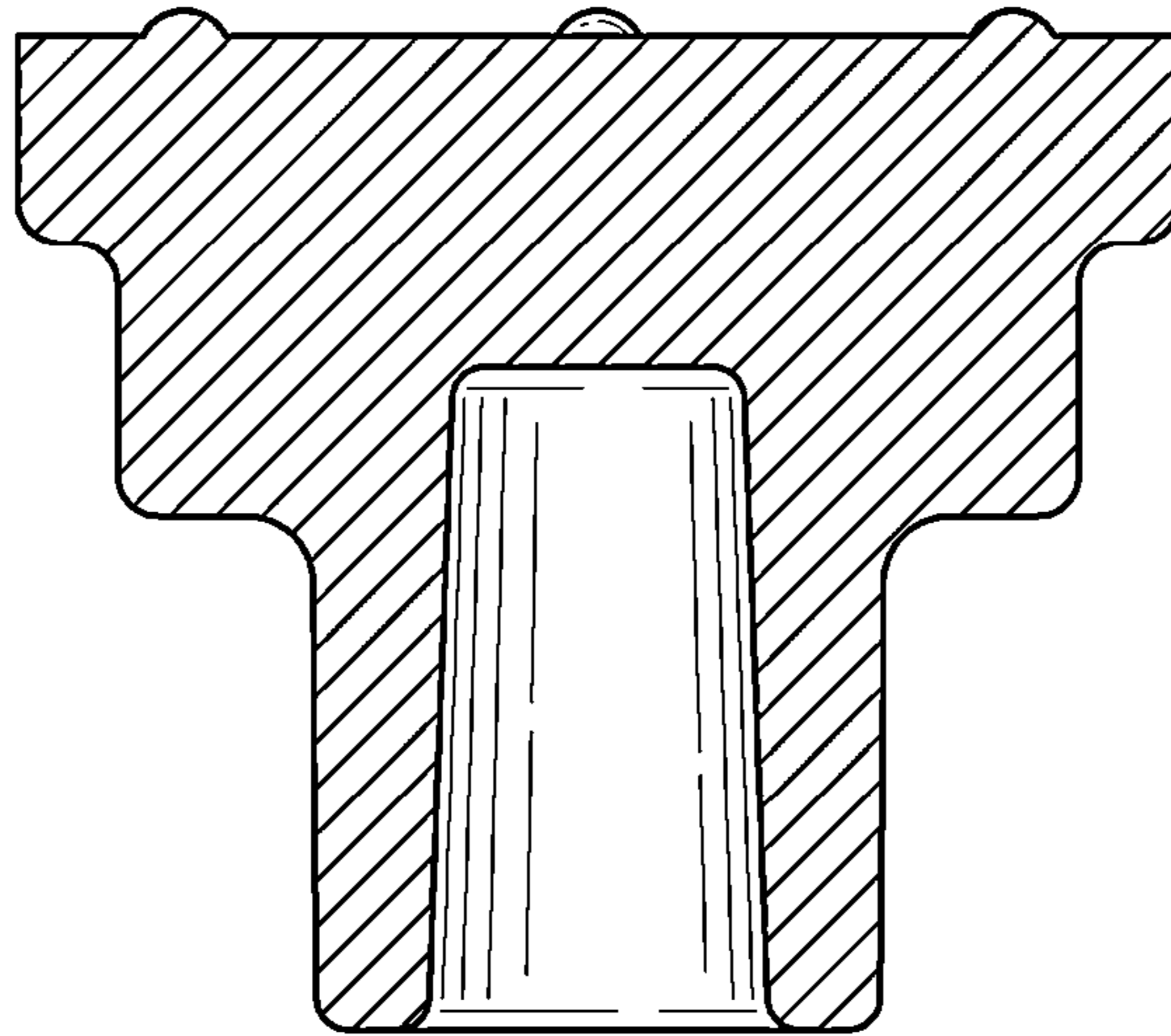


FIG. 6

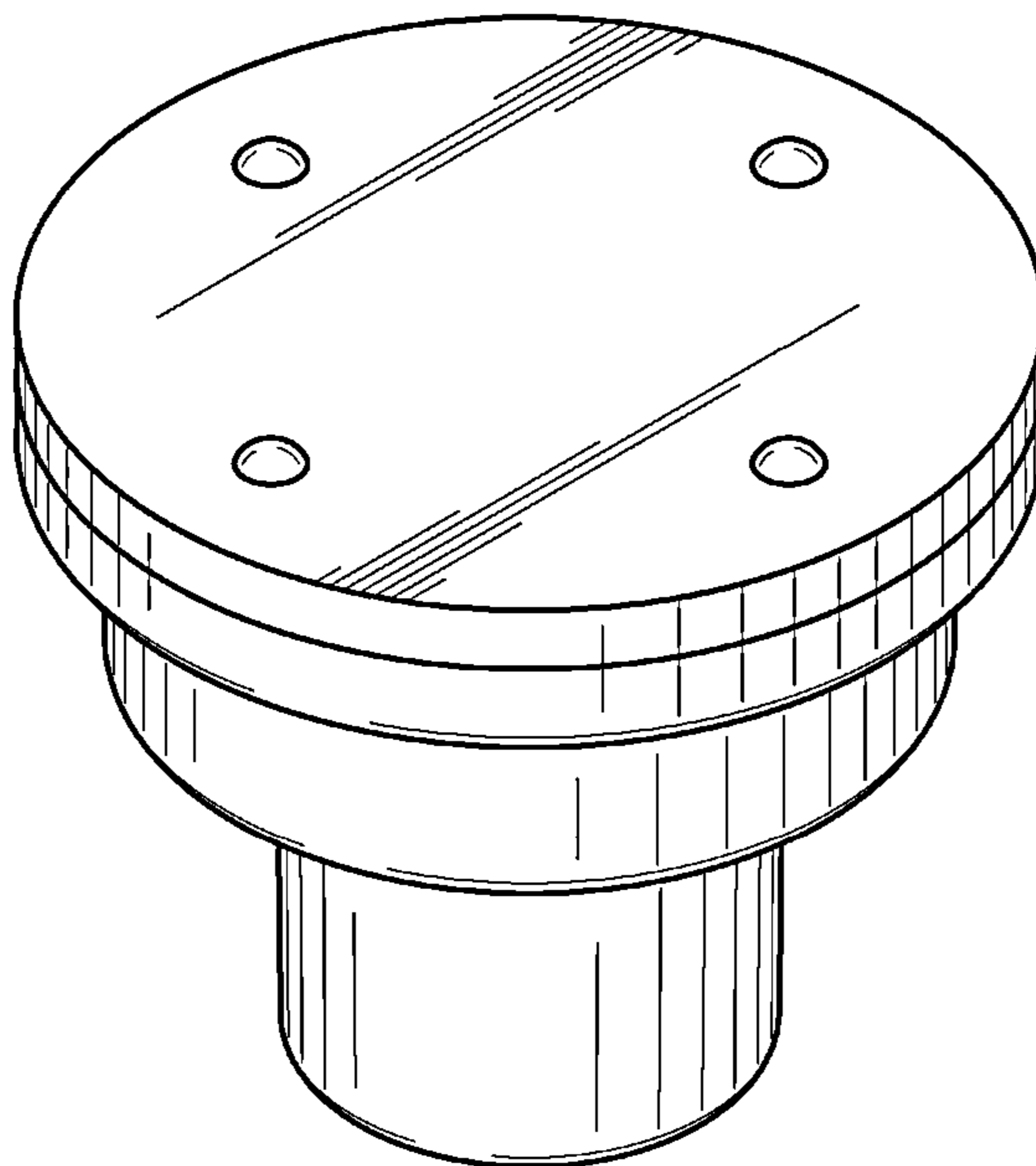


FIG. 7

