



US00D686337S

(12) **United States Design Patent**
Tarunina et al.

(10) **Patent No.:** **US D686,337 S**

(45) **Date of Patent:** **** Jul. 16, 2013**

(54) **CULTURE VESSEL**

(56) **References Cited**

(75) Inventors: **Marina Tarunina**, Orpington (GB); **Yen Choo**, London (GB); **Mylvaganam Jeyakumar**, London (GB); **Martin Arthur Town**, London (GB); **Diana Hernandez-Jaramillo**, London (GB); **Christopher James Johnson**, London (GB)

U.S. PATENT DOCUMENTS

D231,734 S *	6/1974	Sendra et al.	D24/230
D256,950 S *	9/1980	Sable	D24/230
D415,839 S *	10/1999	Huber et al.	D24/216
D500,363 S *	12/2004	Fanning et al.	D24/229
D534,658 S *	1/2007	Bargh	D24/229

* cited by examiner

Primary Examiner — Anhdao Doan

(73) Assignee: **Plasticell Limited**, London (GB)

(74) *Attorney, Agent, or Firm* — Sterne, Kessler, Goldstein & Fox P.L.L.C.

(**) Term: **14 Years**

(57) **CLAIM**

The ornamental design for a culture vessel, as shown and described.

(21) Appl. No.: **29/405,084**

DESCRIPTION

(22) Filed: **Oct. 28, 2011**

(51) **LOC (9) Cl.** **24-01**

(52) **U.S. Cl.**
USPC **D24/224**

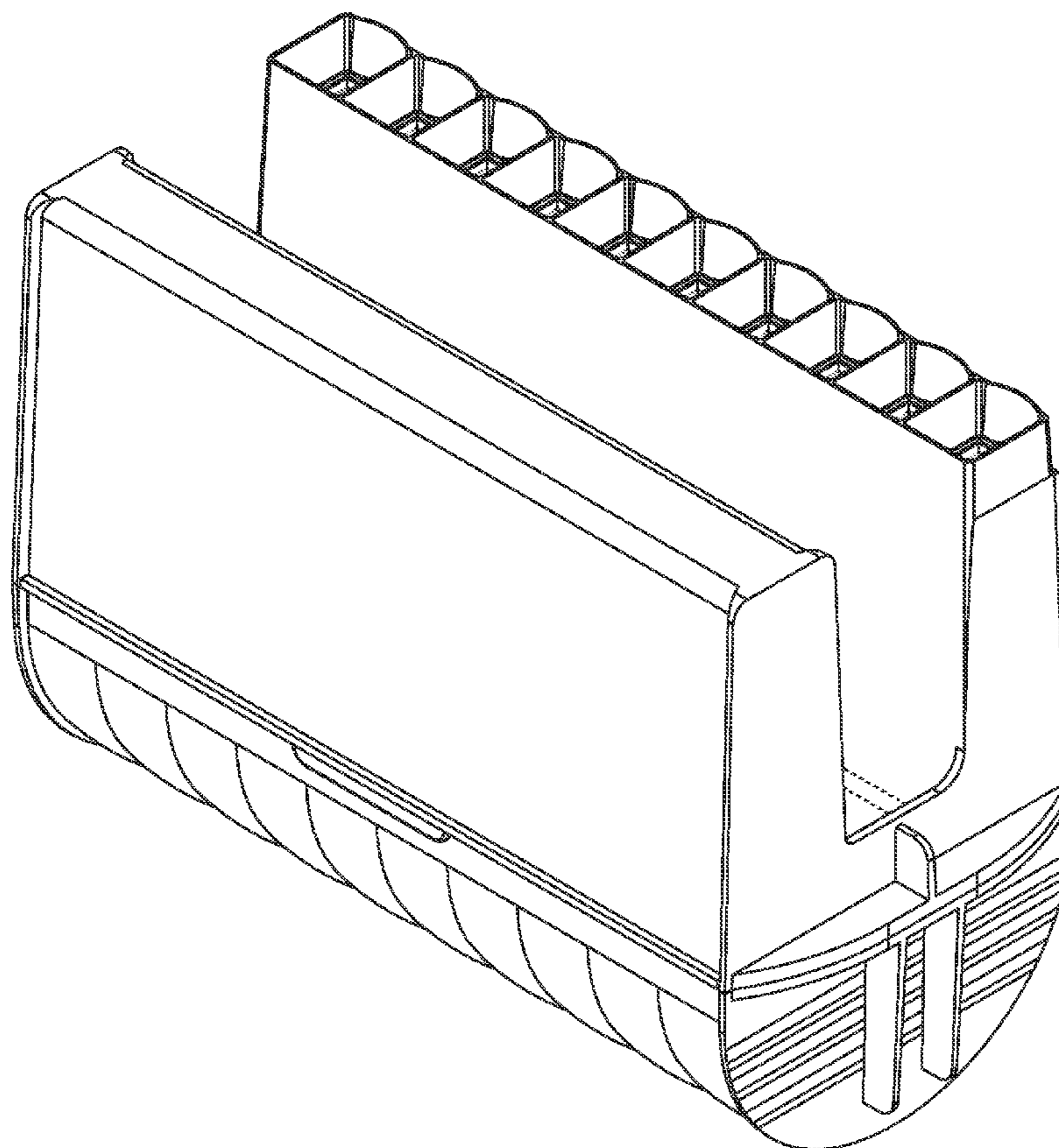
(58) **Field of Classification Search**
USPC D24/216–217, 219, 223–226, 227,
D24/229–231, 232, 107, 121–123; D10/81;
422/547–554, 556, 558, 559, 500

FIG. 1 is a top front perspective view of a culture vessel showing our new design;
FIG. 2 is a top rear perspective view thereof;
FIG. 3 is a bottom front perspective view thereof;
FIG. 4 is a left side view thereof;
FIG. 5 is a right side view thereof;
FIG. 6 is a top plan view thereof; and,
FIG. 7 is a bottom plan view thereof.

The dashed lines in the Figures show portions of the culture vessel which form no part of the claimed design.

See application file for complete search history.

1 Claim, 7 Drawing Sheets



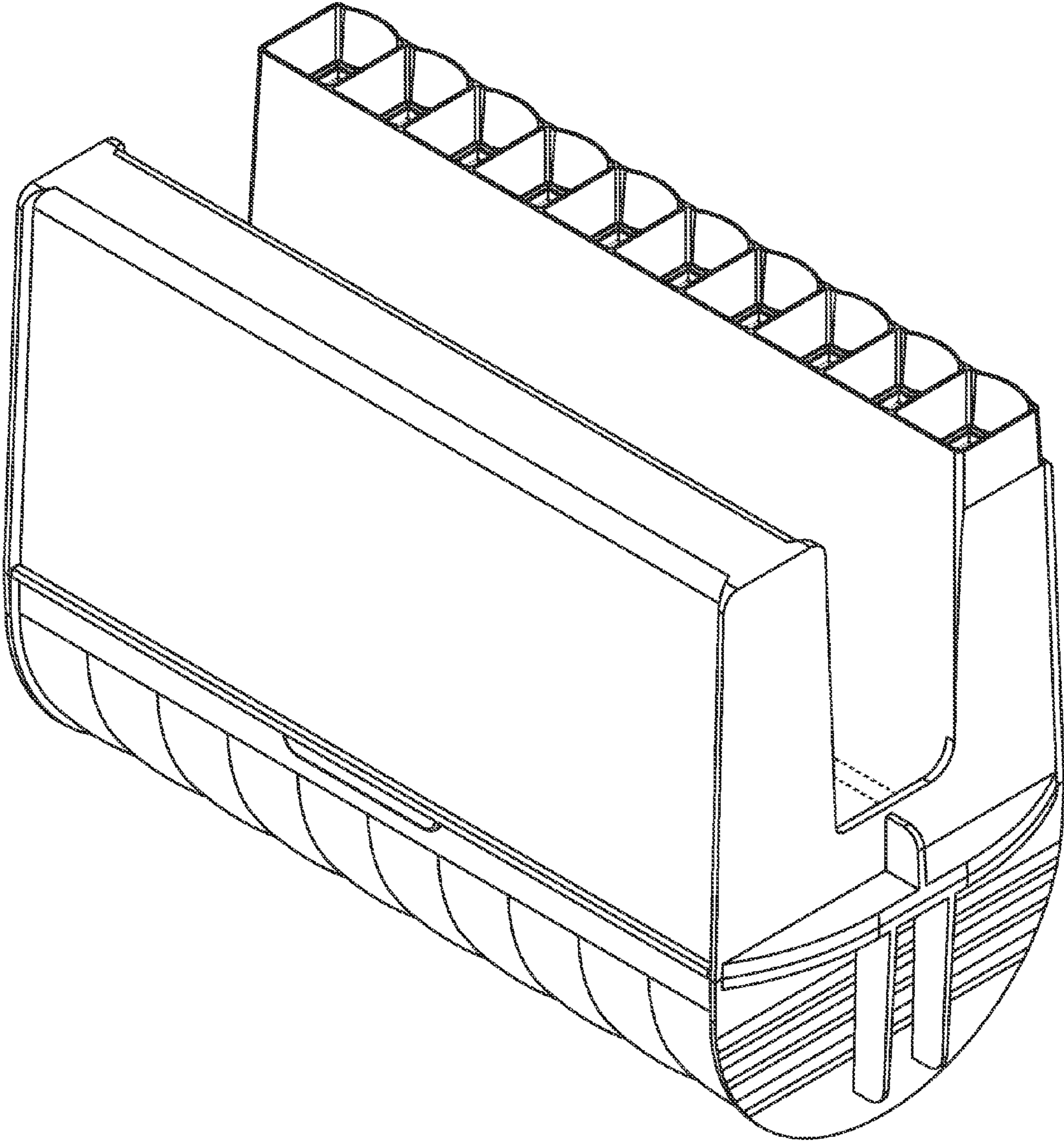


FIG. 1

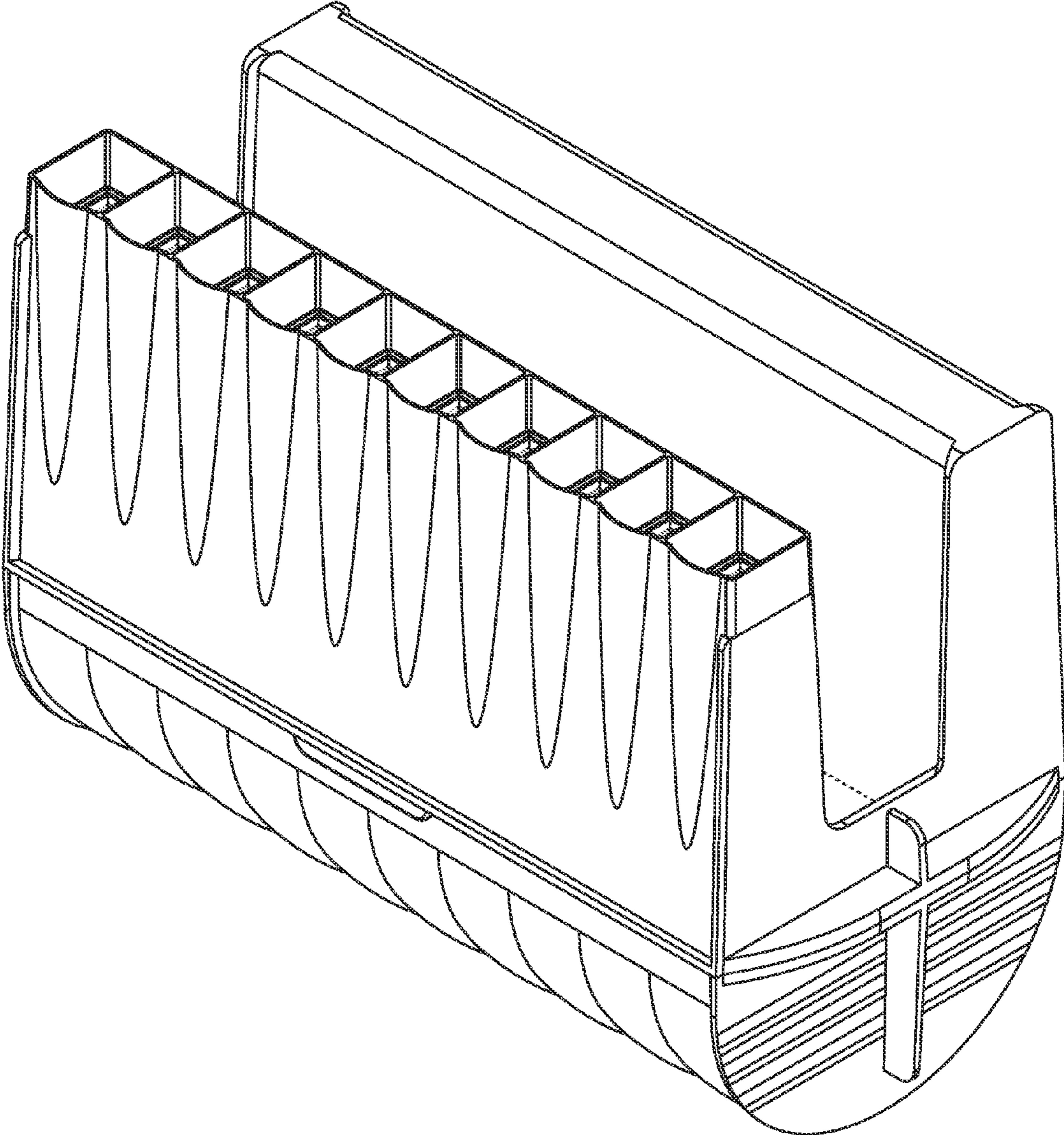


FIG. 2

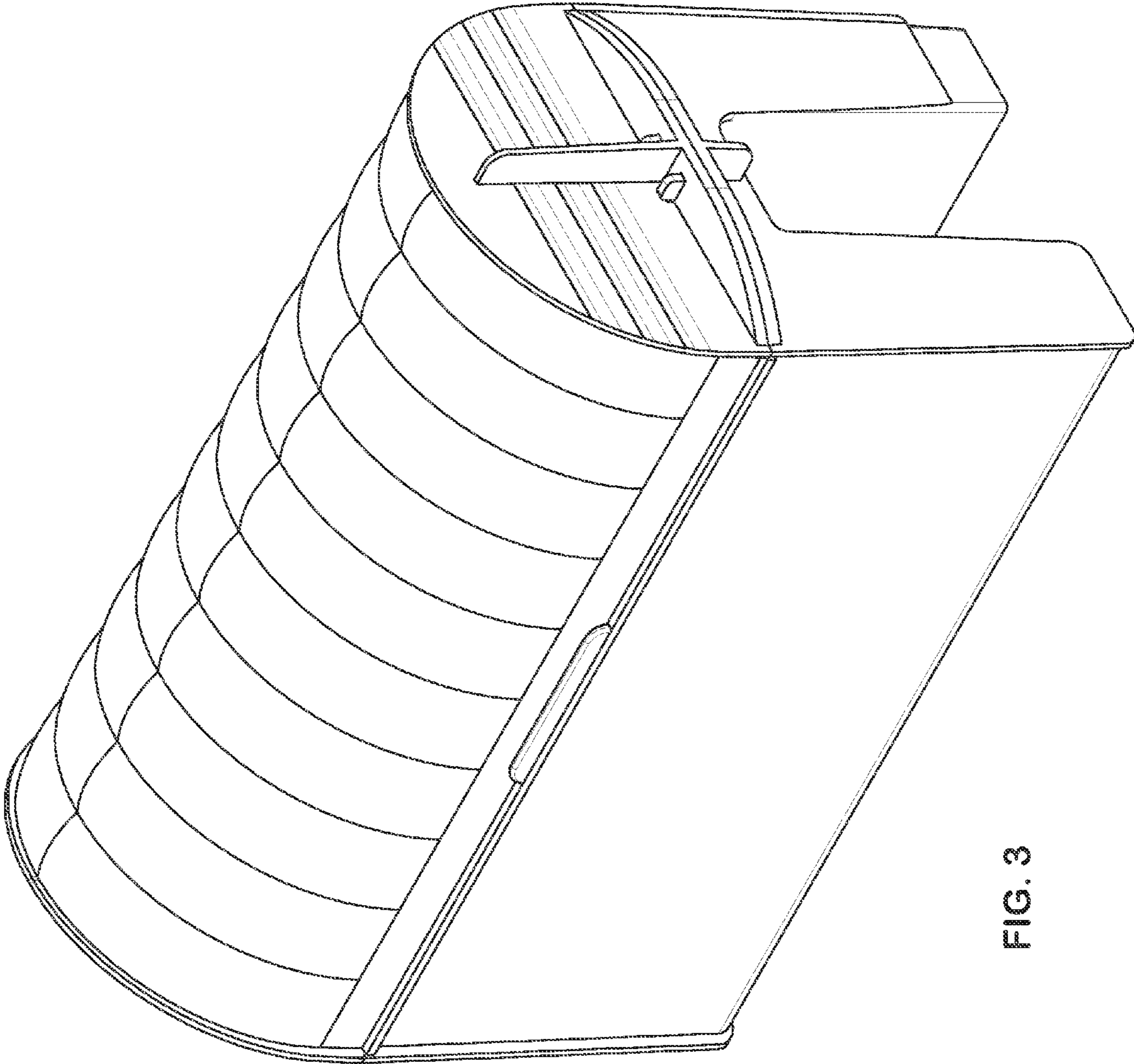


FIG. 3

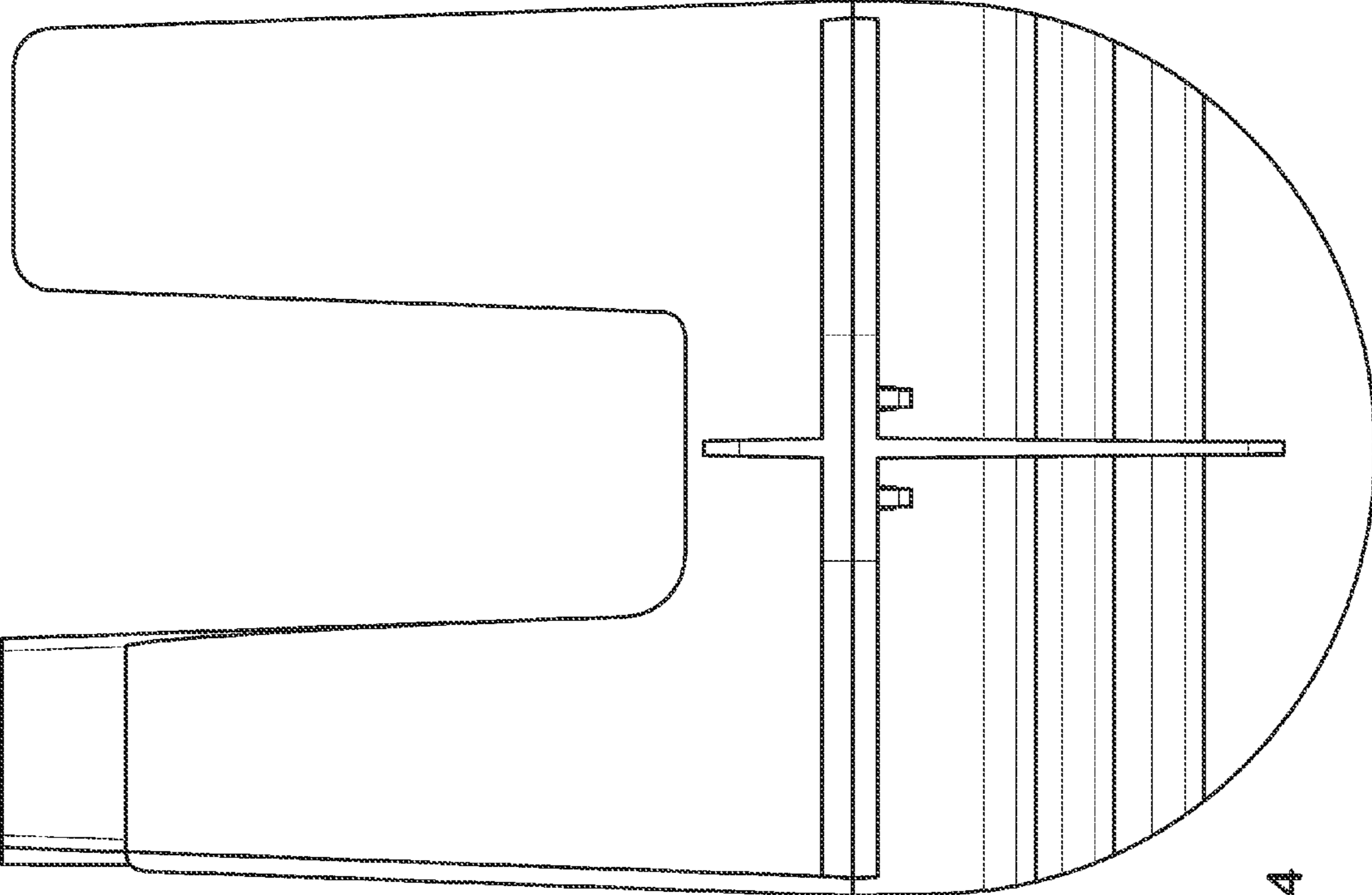


FIG. 4

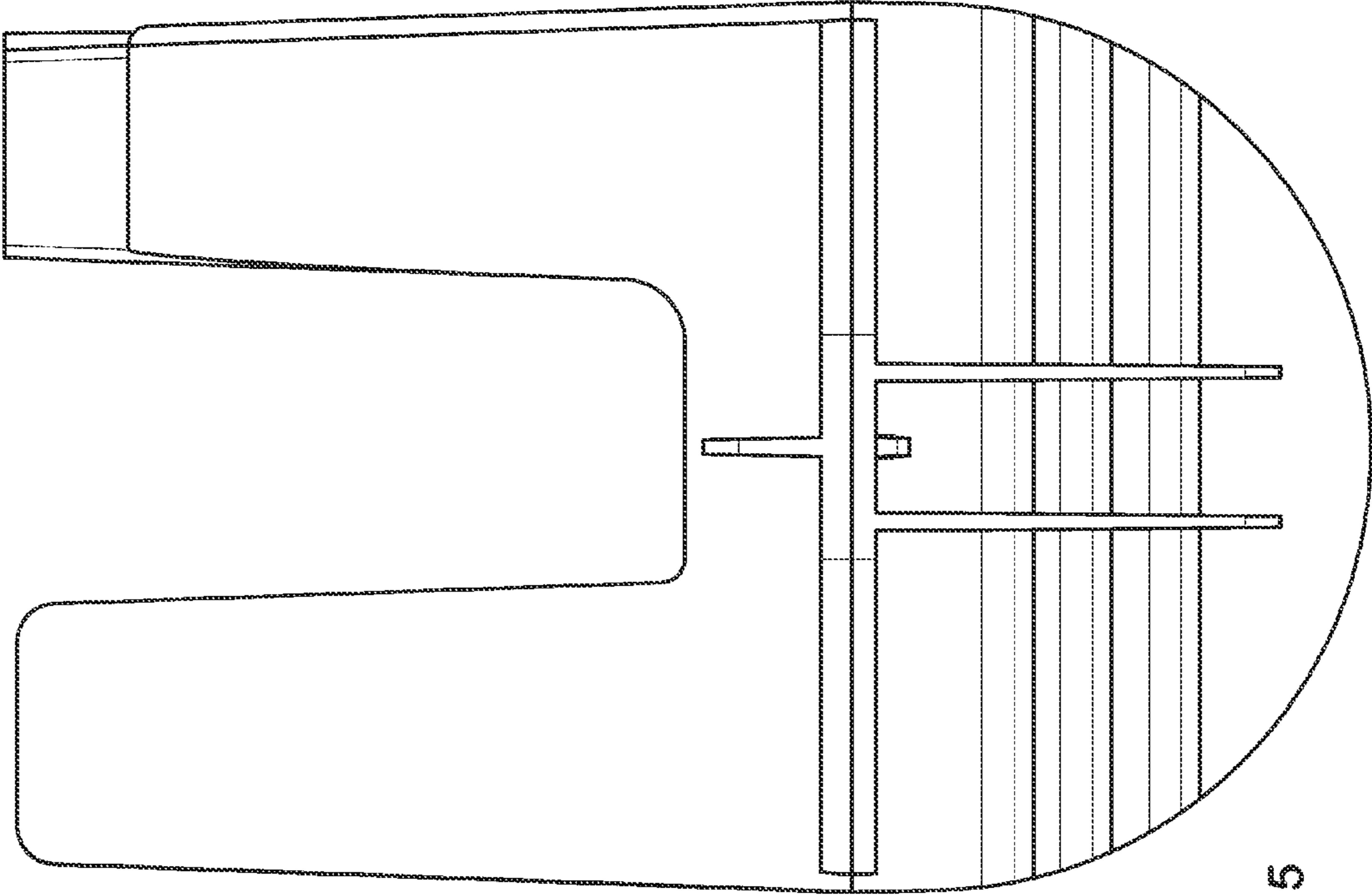


FIG. 5

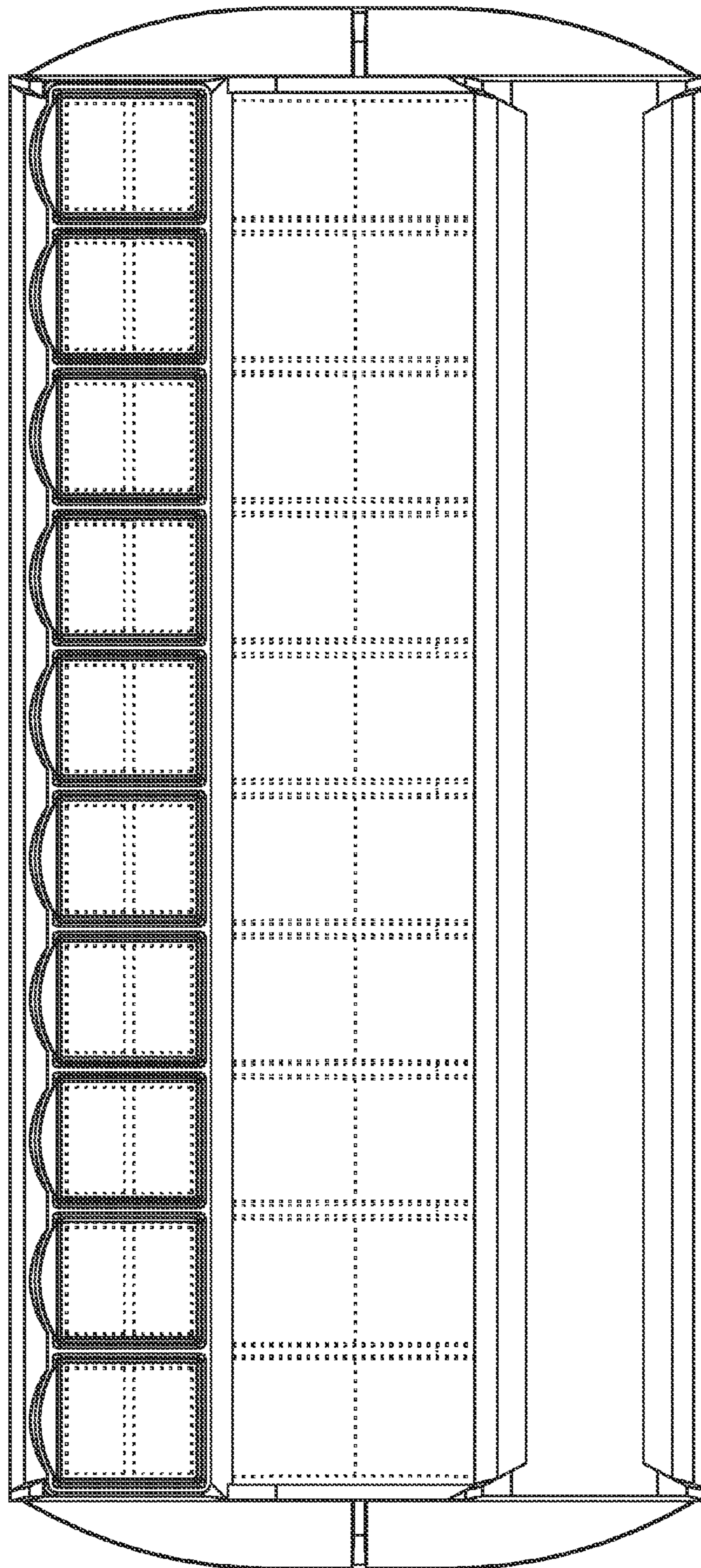


FIG. 6

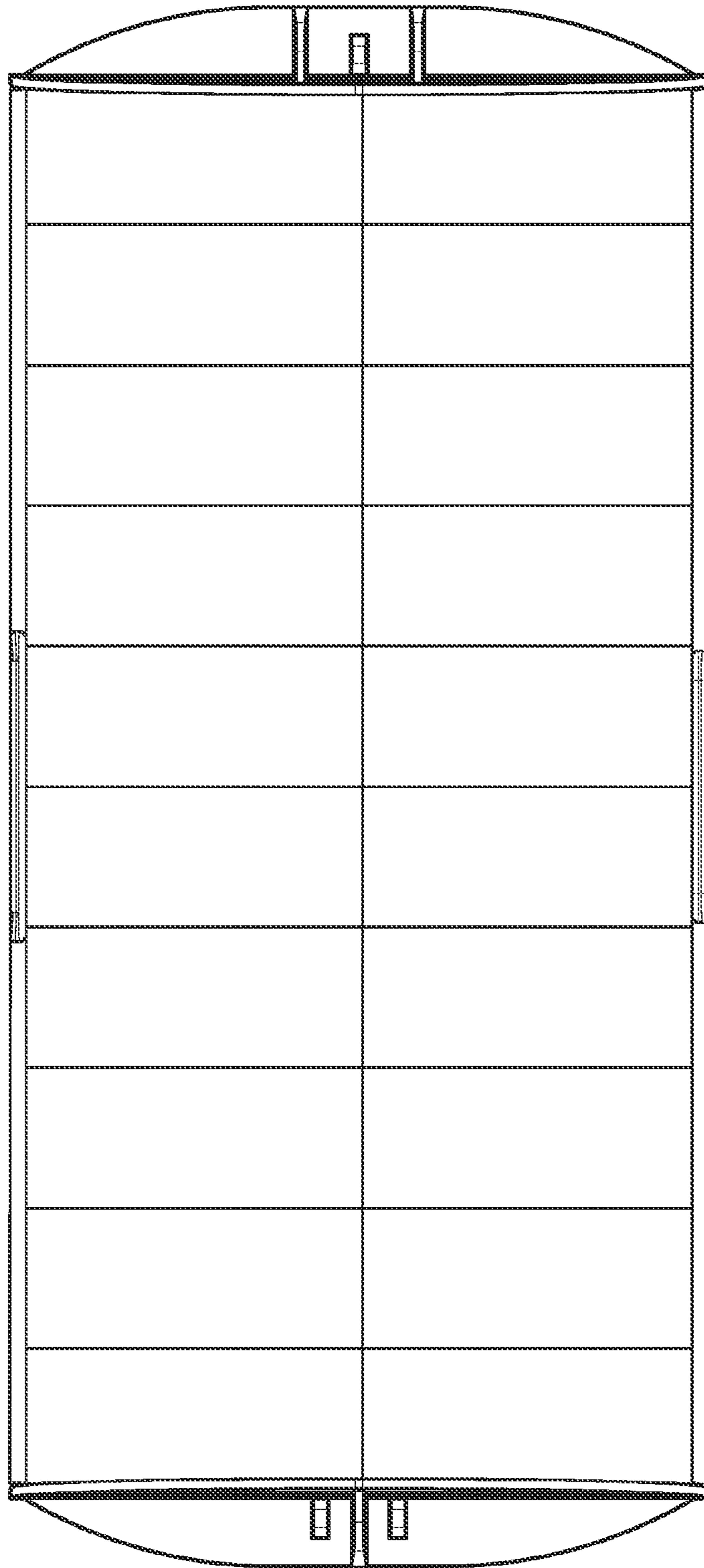


FIG. 7