



US00D686334S

(12) **United States Design Patent**
Schneider et al.

(10) **Patent No.:** **US D686,334 S**
(45) **Date of Patent:** **** Jul. 16, 2013**

(54) **CHIP STATION ASSEMBLY**

(75) Inventors: **Eric Schneider**, Catonsville, MD (US);
Alex Flamm, Baltimore, MD (US);
Brian Murphy, Baltimore, MD (US);
Chad Schneider, Owings Mills, MD
(US); **Charly Mar**, Rockville, MD (US);
Ben Lane, Hydes, MD (US); **Jeremy
Savage**, Rockville, MD (US); **Conrad
Laskowski**, Baltimore, MD (US)

(73) Assignee: **Canon U.S. Life Sciences, Inc.**,
Rockville, MD (US)

(**) Term: **14 Years**

(21) Appl. No.: **29/385,967**

(22) Filed: **Feb. 23, 2011**

(51) **LOC (9) Cl.** **24-01**

(52) **U.S. Cl.**
USPC **D24/216; D24/232**

(58) **Field of Classification Search**
USPC D24/107, 216–232, 169, 186; D10/81;
422/62–63, 66–67, 68.1, 500, 502, 503;
435/287.1, 287.2, 288.3, 288.7, 305.1
See application file for complete search history.

(56) **References Cited**

U.S. PATENT DOCUMENTS

7,358,078 B2 * 4/2008 Chen et al. 435/287.2
D638,952 S * 5/2011 Oonuma et al. D24/216

D650,910 S * 12/2011 Shibata et al. D24/216
D651,720 S * 1/2012 Isozaki D24/216
2008/0275365 A1 * 11/2008 Guthrie et al. 435/287.1
2012/0052560 A1 * 3/2012 Knight et al. 435/287.2
2012/0115190 A1 * 5/2012 Coursey et al. 435/289.1
2012/0152740 A1 * 6/2012 Kim et al. 422/503

* cited by examiner

Primary Examiner — Wan Laymon

(74) *Attorney, Agent, or Firm* — Rothwell, Figg, Ernst &
Manbeck, P.C.

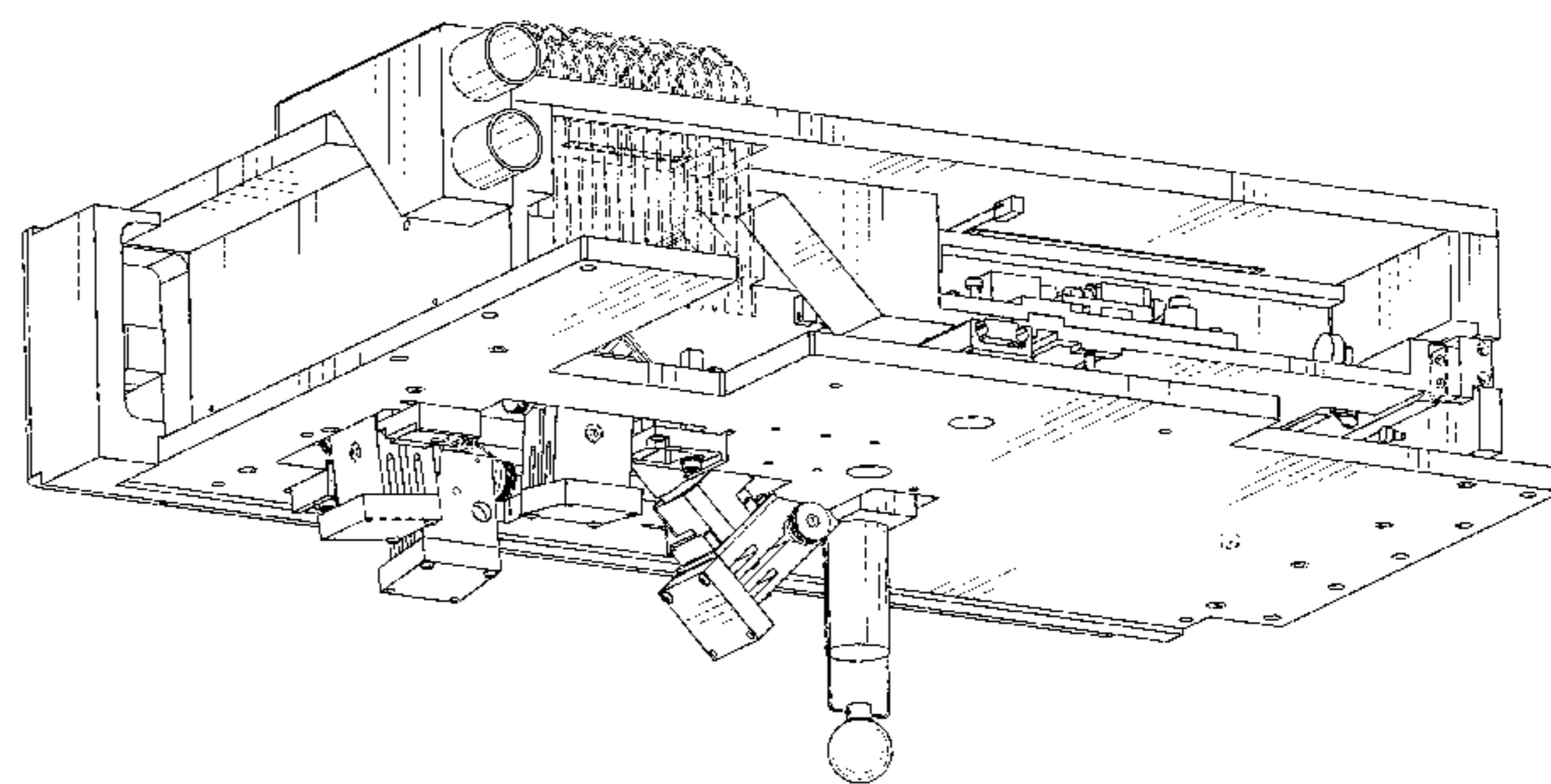
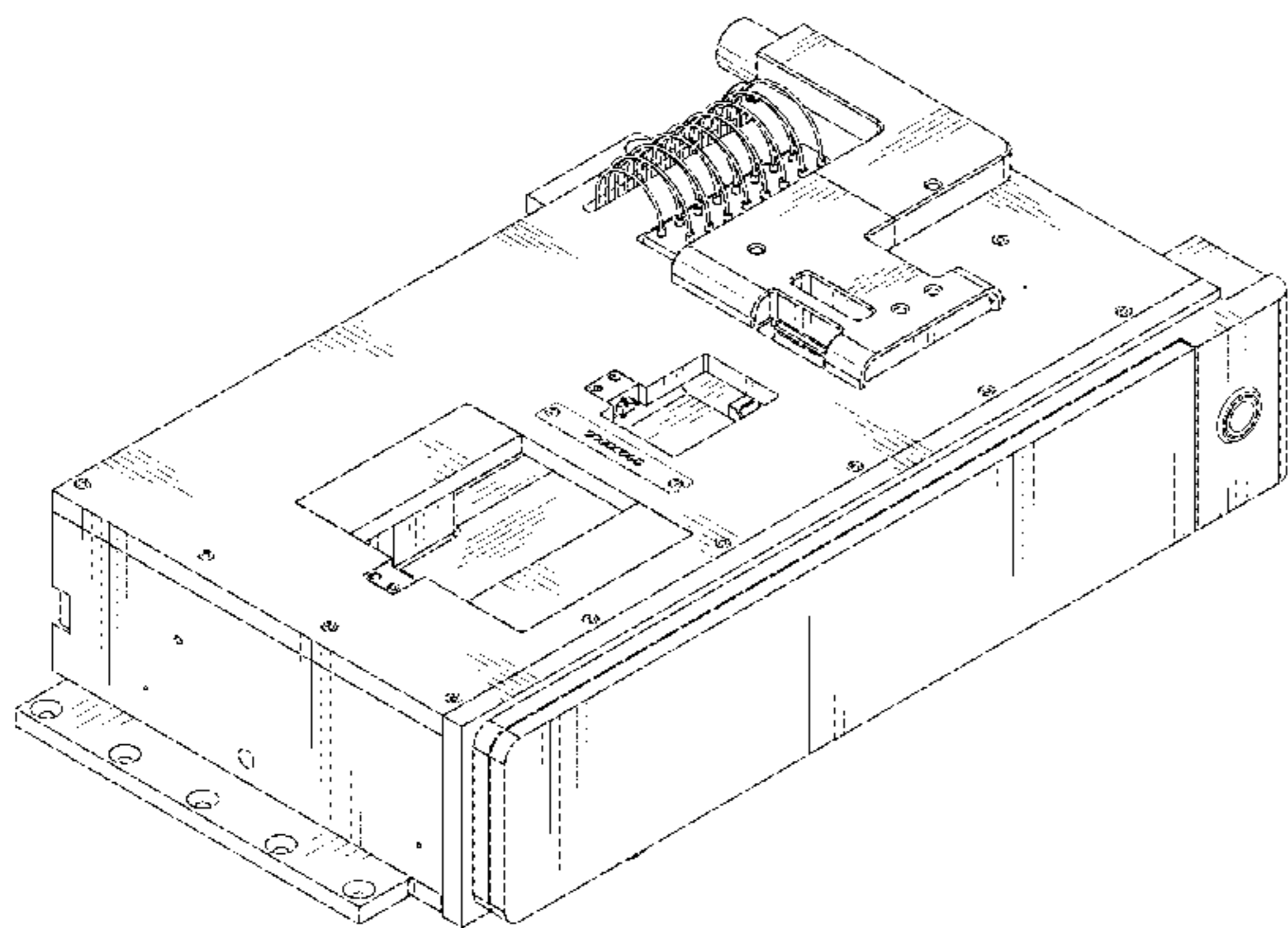
(57) **CLAIM**

The ornamental design for chip station assembly, as shown
and described.

DESCRIPTION

FIG. 1 is an elevated perspective view of the top, front and left
side of the chip station assembly;
FIG. 2 is an elevated perspective view of the bottom, rear and
right side of the chip station assembly;
FIG. 3 is a front view of the chip station assembly;
FIG. 4 is a rear view of the chip station assembly;
FIG. 5 is a left side view of the chip station assembly;
FIG. 6 is a right side view of the chip station assembly;
FIG. 7 is an enlarged top view of the chip station assembly;
and,
FIG. 8 is a bottom view of the chip station assembly.
The portions of the chip station assembly shown in broken
lines form no part of the claimed design.

1 Claim, 8 Drawing Sheets



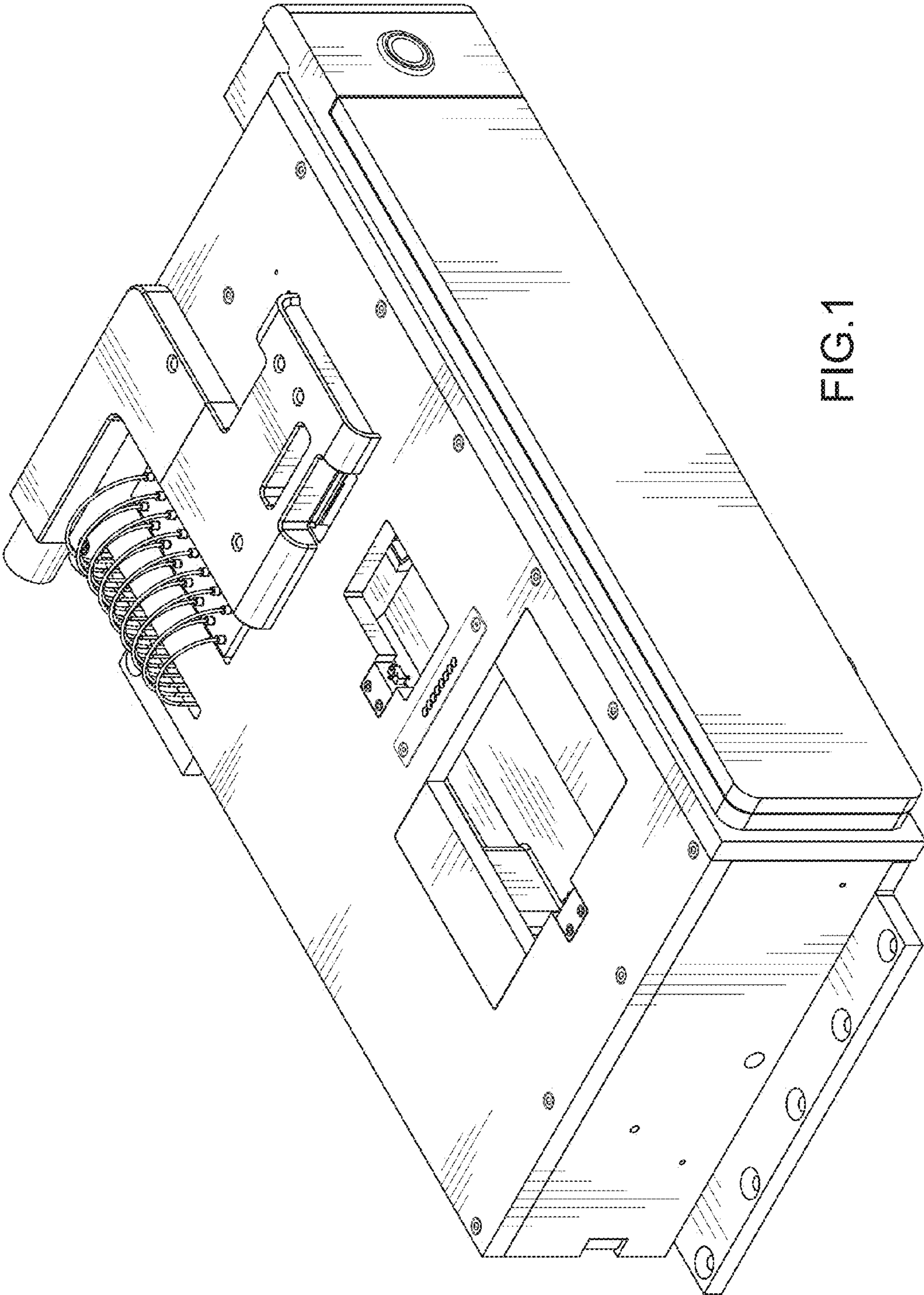


FIG.1

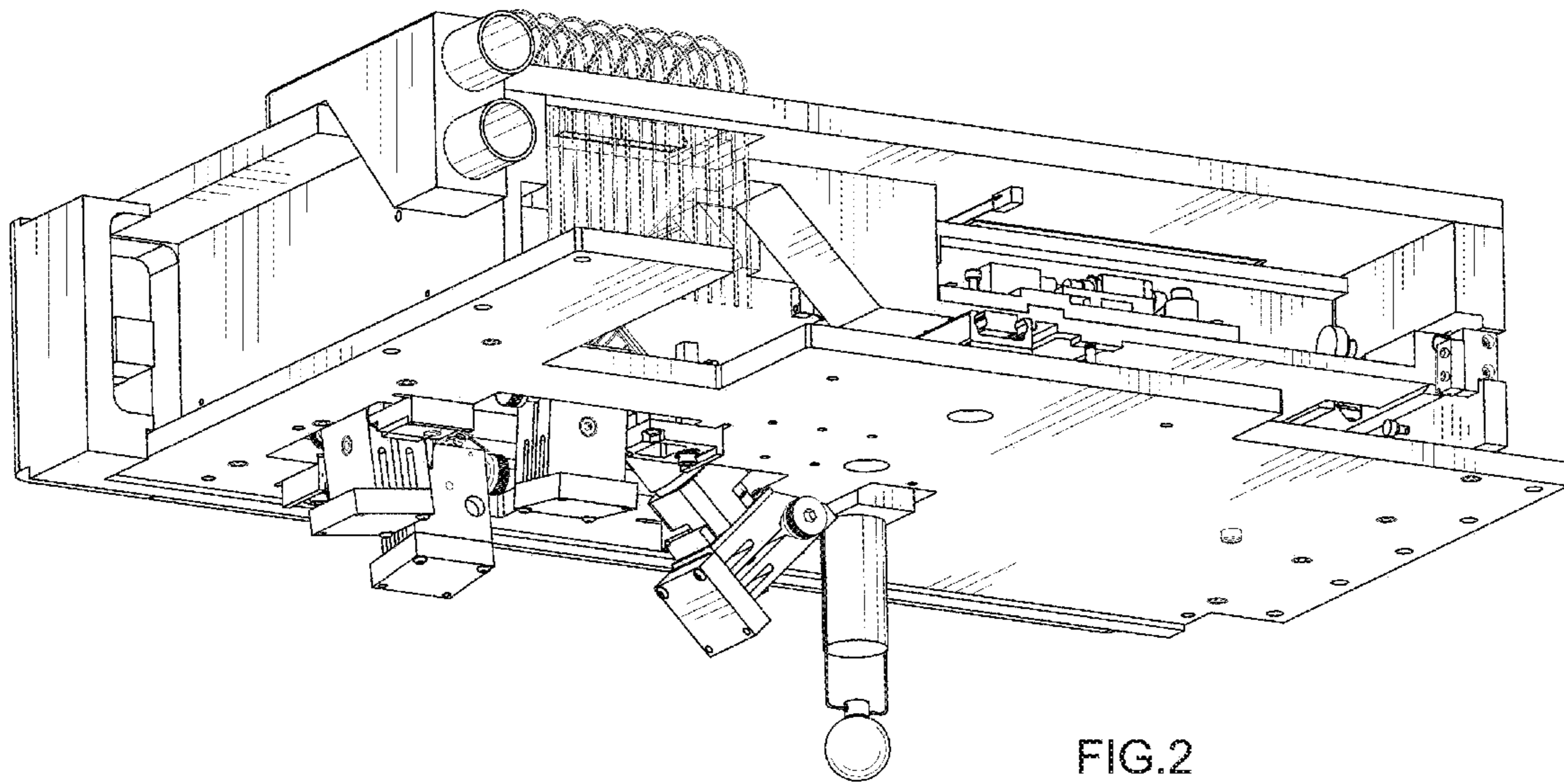


FIG.2

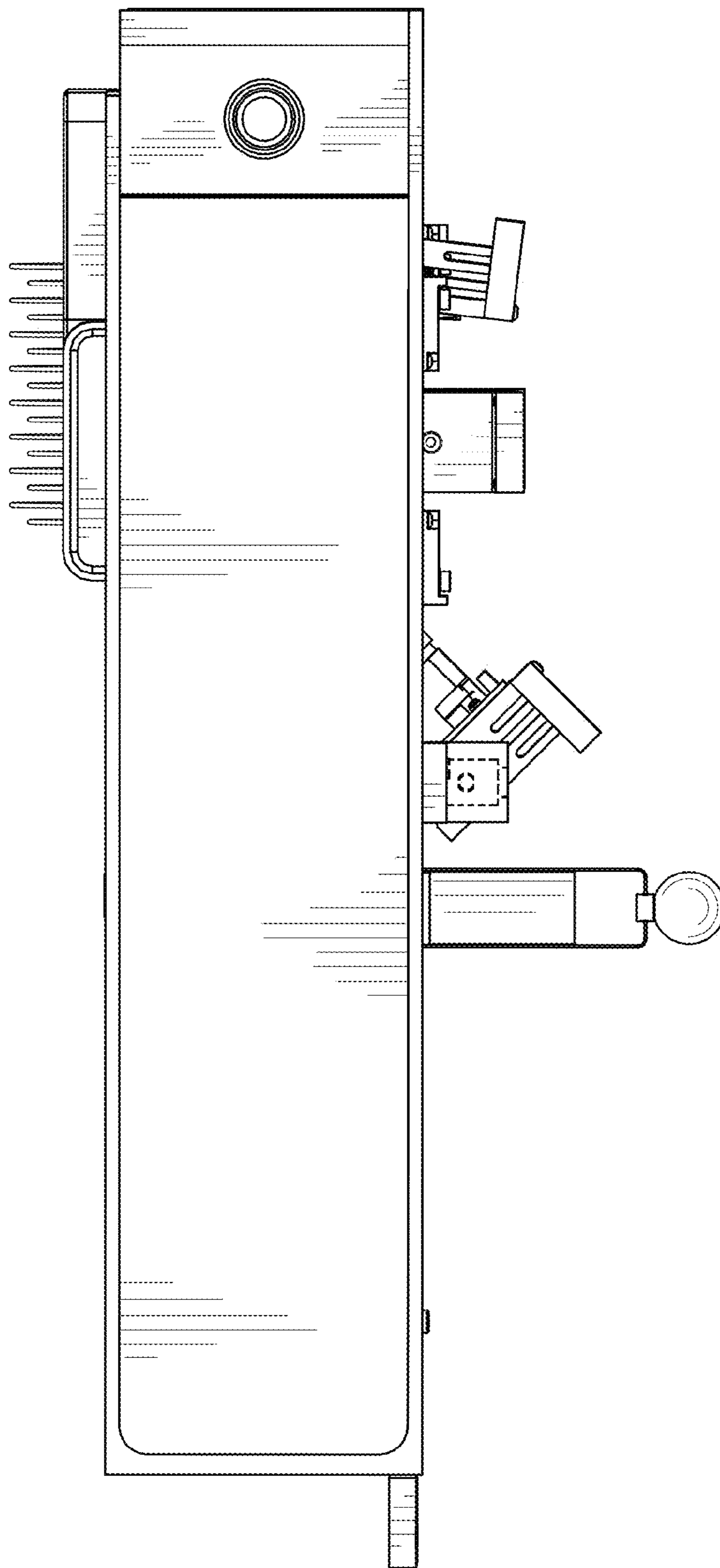


FIG.3

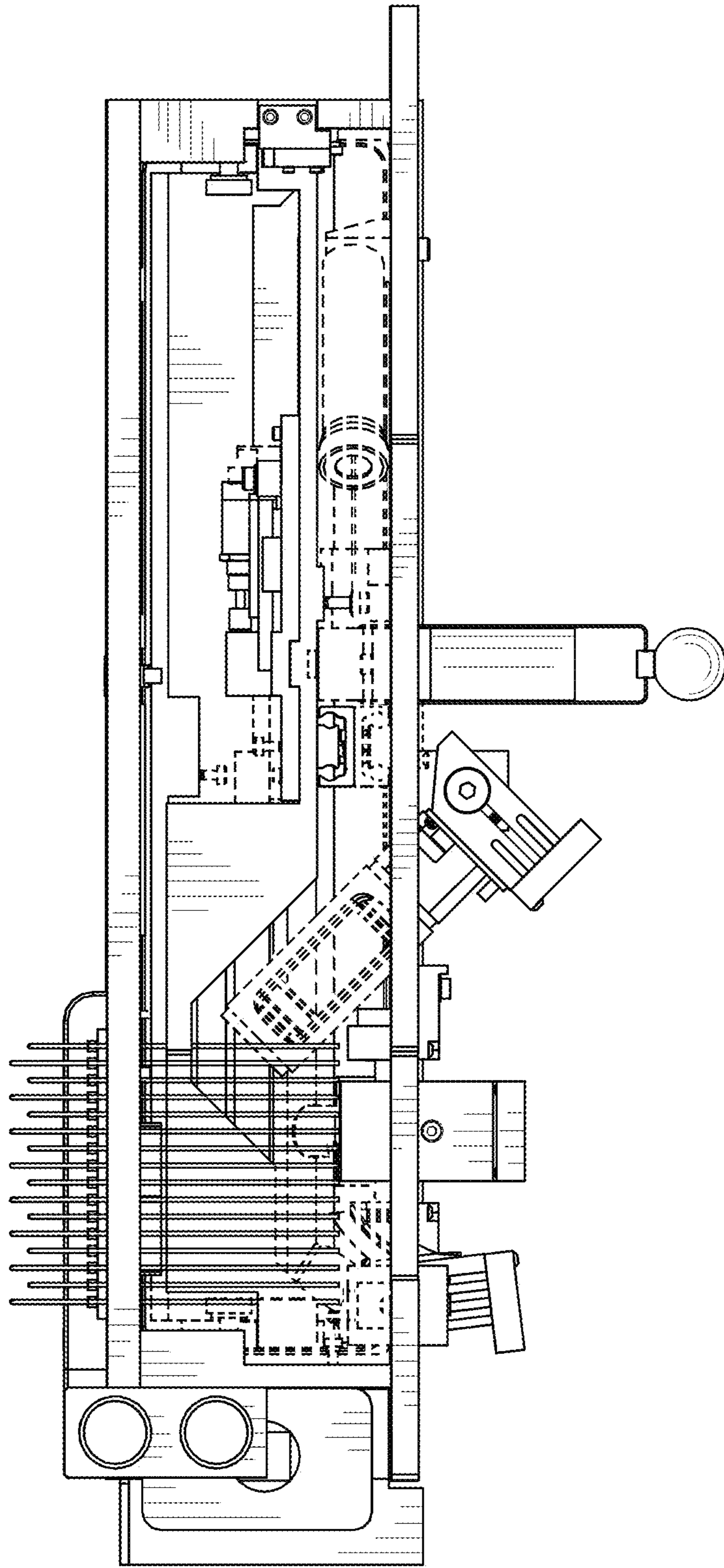


FIG.4

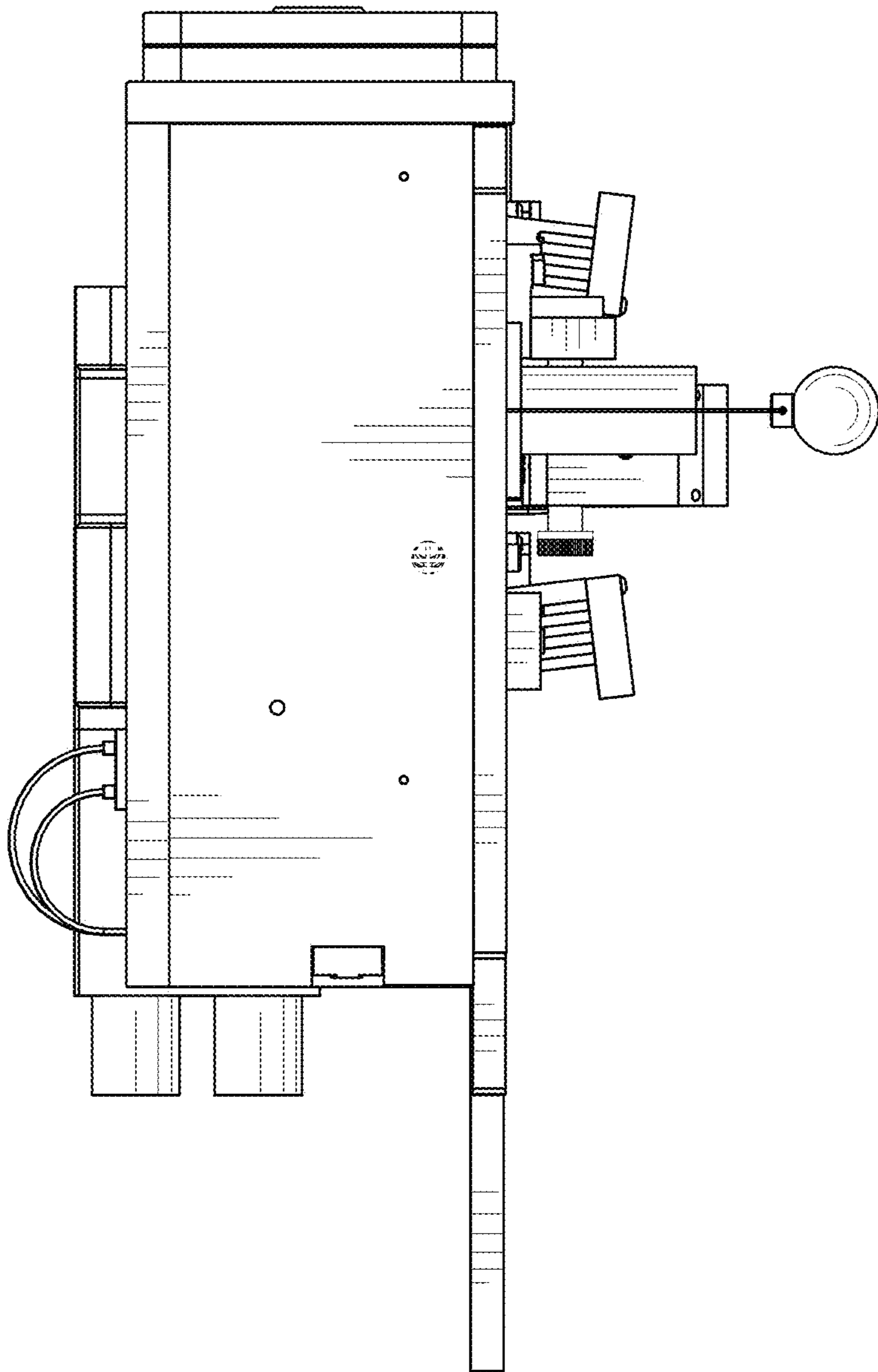


FIG. 5

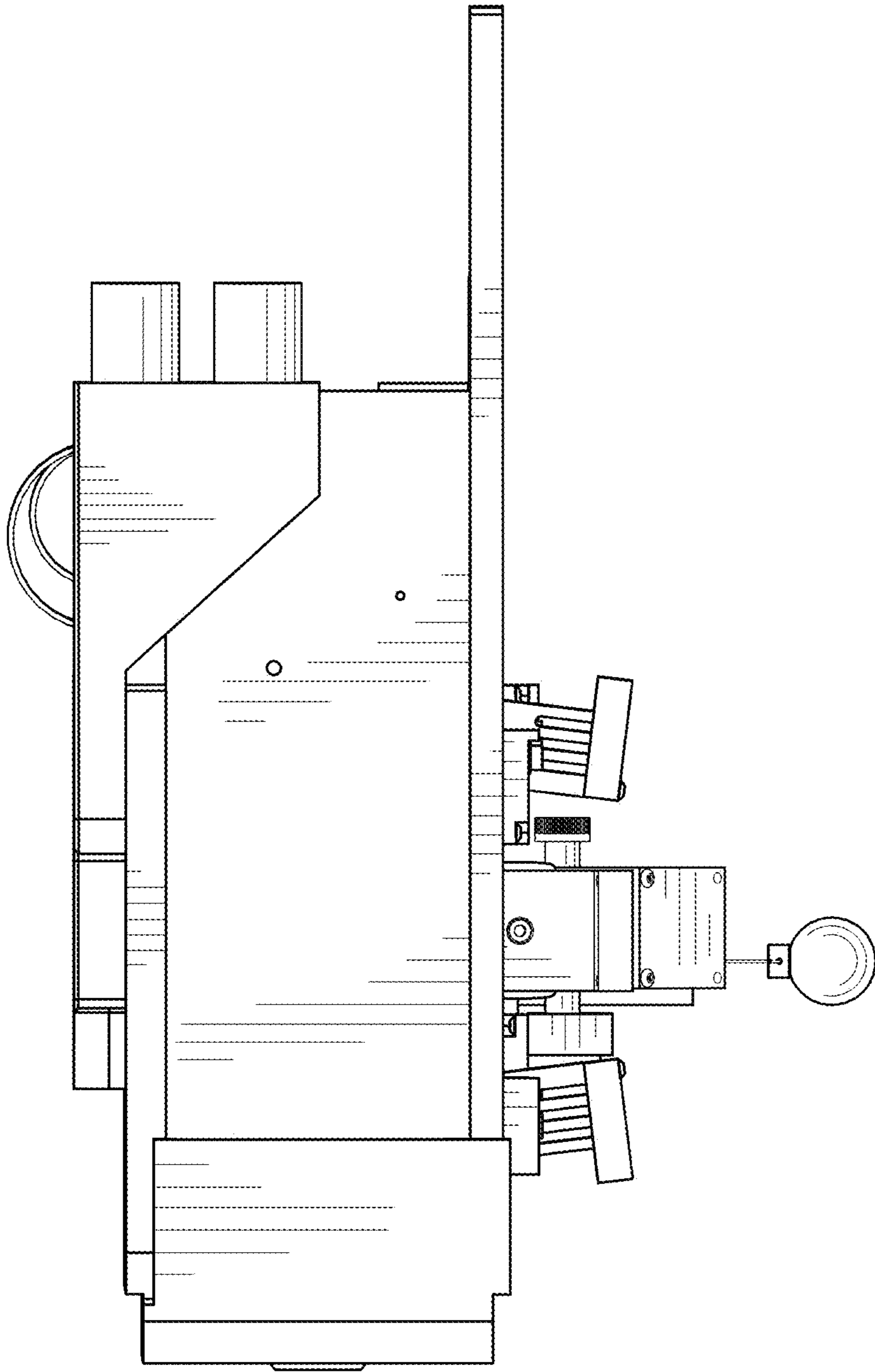


FIG. 6

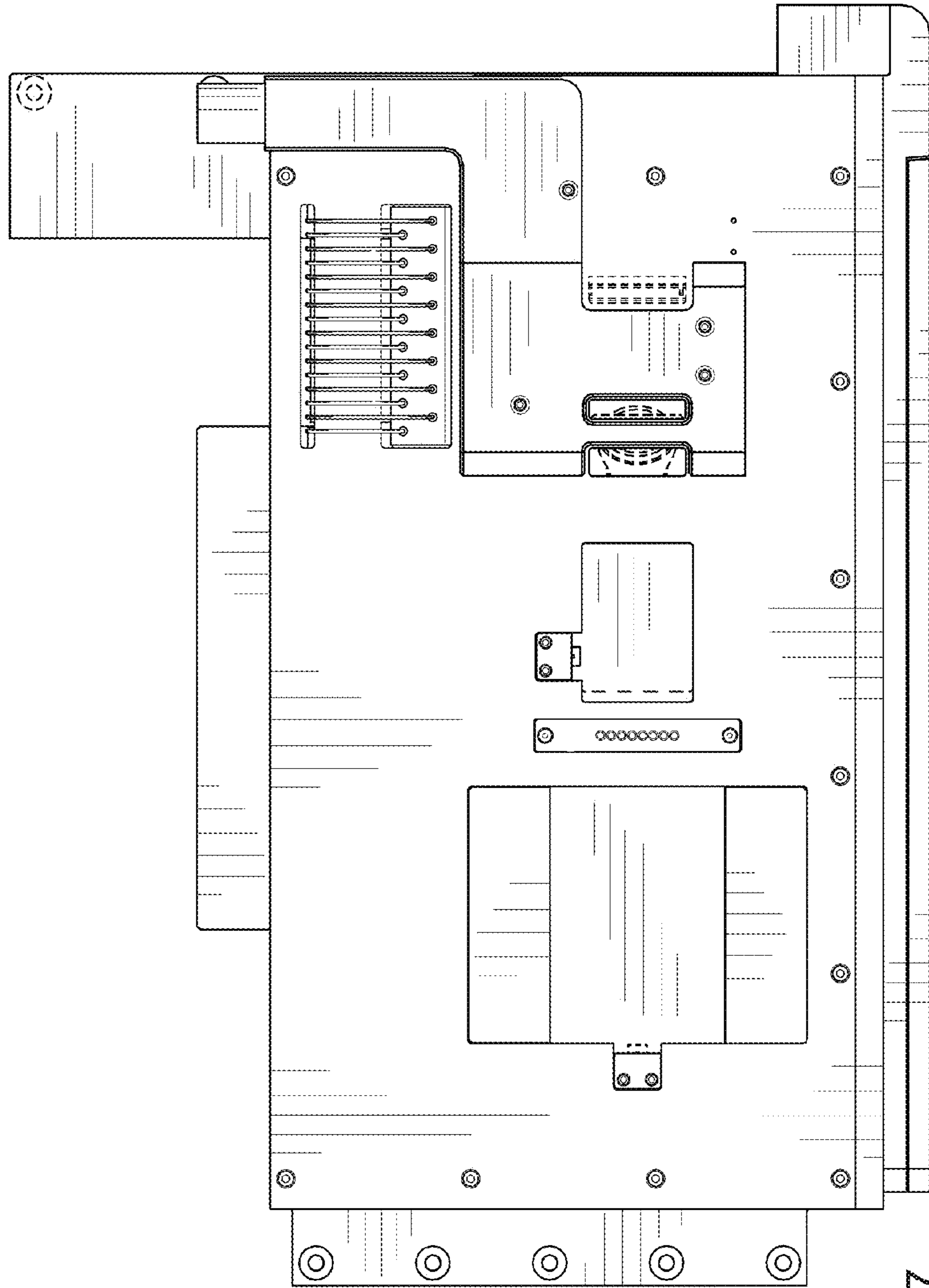


FIG.7

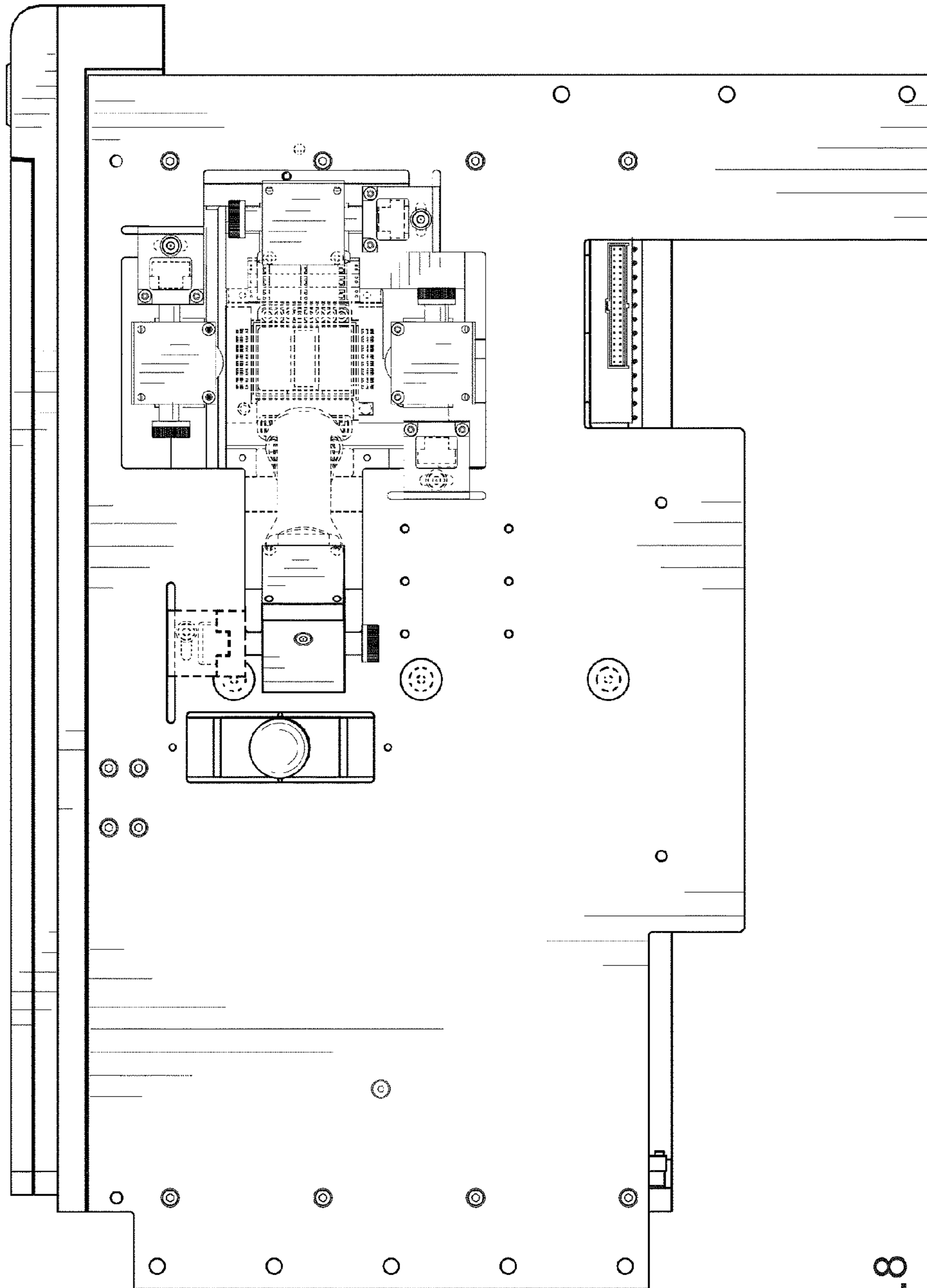


FIG.8