



US00D686332S

(12) **United States Design Patent**  
**Suri**

(10) **Patent No.:** **US D686,332 S**  
(45) **Date of Patent:** **\*\* Jul. 16, 2013**

(54) **WHIRLPOOL TUB**

(76) Inventor: **Raj Suri**, San Ramon, CA (US)

(\*\*) Term: **14 Years**

(21) Appl. No.: **29/416,920**

(22) Filed: **Mar. 28, 2012**

(51) **LOC (9) Cl.** ..... **24-03**

(52) **U.S. Cl.**

USPC ..... **D24/204**

(58) **Field of Classification Search**

USPC ..... D24/201, 204, 205; D23/277, 279,  
D23/276, 280.1–280.3; 601/154–158; 4/555,  
4/556, 538, 584, 589, 590, 541.1–541.6,  
4/547, 578.1, 579

See application file for complete search history.

(56) **References Cited**

**U.S. PATENT DOCUMENTS**

3,719,960	A *	3/1973	Russell	.....	4/556
4,672,693	A *	6/1987	Schenstrom	.....	4/555
4,890,341	A *	1/1990	Forbes	.....	4/555
4,953,241	A *	9/1990	Williams	.....	4/556
D352,099	S *	11/1994	Andersen	.....	D23/279
5,446,929	A *	9/1995	Sills et al.	.....	4/555
7,237,276	B2 *	7/2007	Longman	.....	4/555
D573,700	S *	7/2008	Clarke	.....	D23/279
D617,466	S *	6/2010	Edgar	.....	D24/204
7,926,126	B2 *	4/2011	Whitley	.....	4/555

8,082,609	B2 *	12/2011	Rydalch	.....	4/590
8,239,979	B2 *	8/2012	Seymour et al.	.....	4/556
2005/0102746	A1 *	5/2005	Wright et al.	.....	4/555

\* cited by examiner

*Primary Examiner* — David Muller

(74) *Attorney, Agent, or Firm* — Theodore J. Bielen, Jr.

(57) **CLAIM**

The ornamental design for a whirlpool tub, substantially as shown and described.

**DESCRIPTION**

FIG. 1 is a left side perspective view of a whirlpool tub with a door oriented on the left side;

FIG. 2 is a left side view of the whirlpool tub shown in FIG. 1;

FIG. 3 is a right side view of the whirlpool tub shown in FIG. 1;

FIG. 4 is a top view of the whirlpool tub shown in FIG. 1;

FIG. 5 is a front view of the whirlpool tub shown in FIG. 1;

FIG. 6 is a rear view of the whirlpool tub shown in FIG. 1;

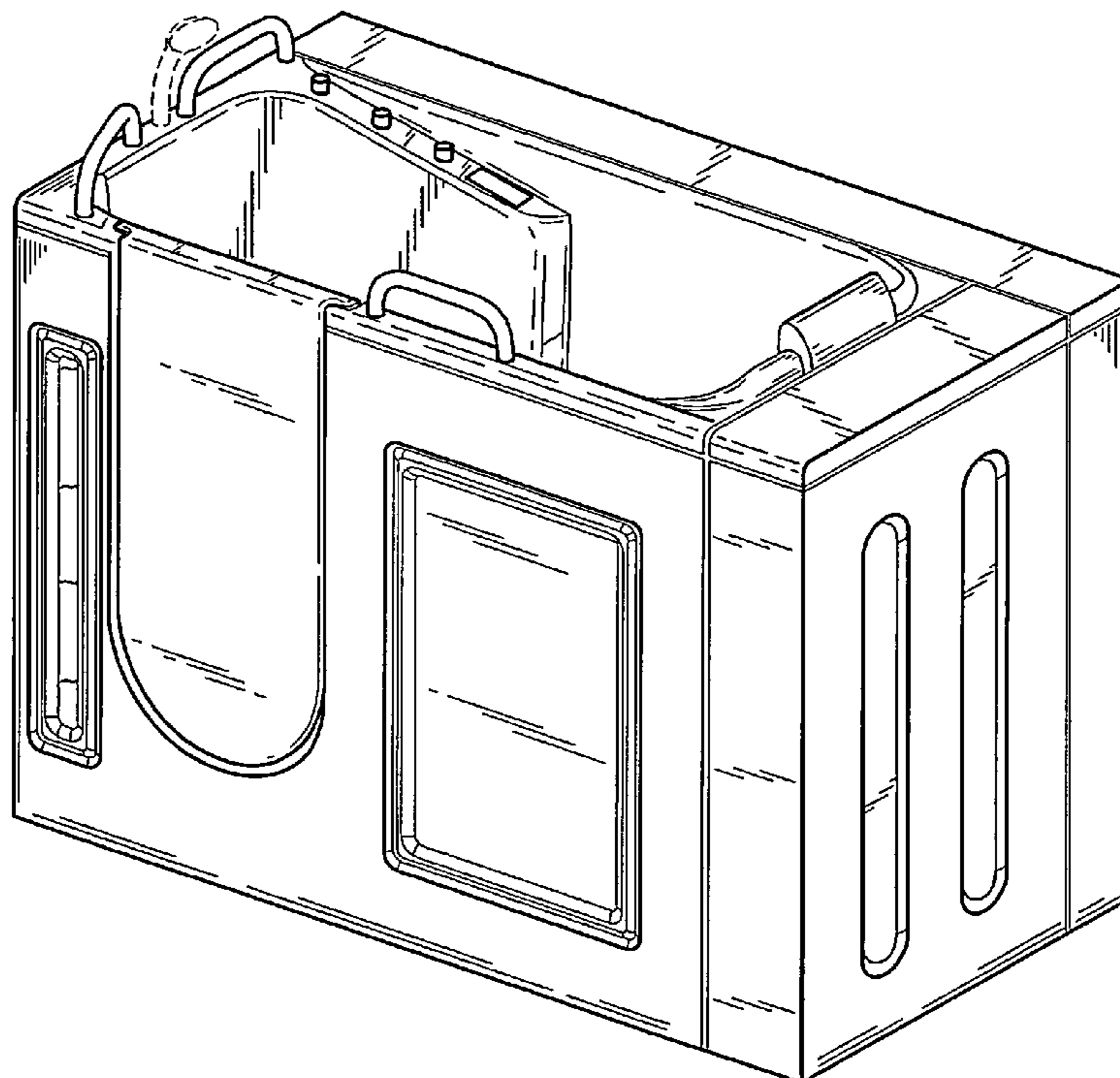
FIG. 7 is a cut-away left side perspective view of an interior right wall and a rear seat of the whirlpool tub shown in FIG. 1; and,

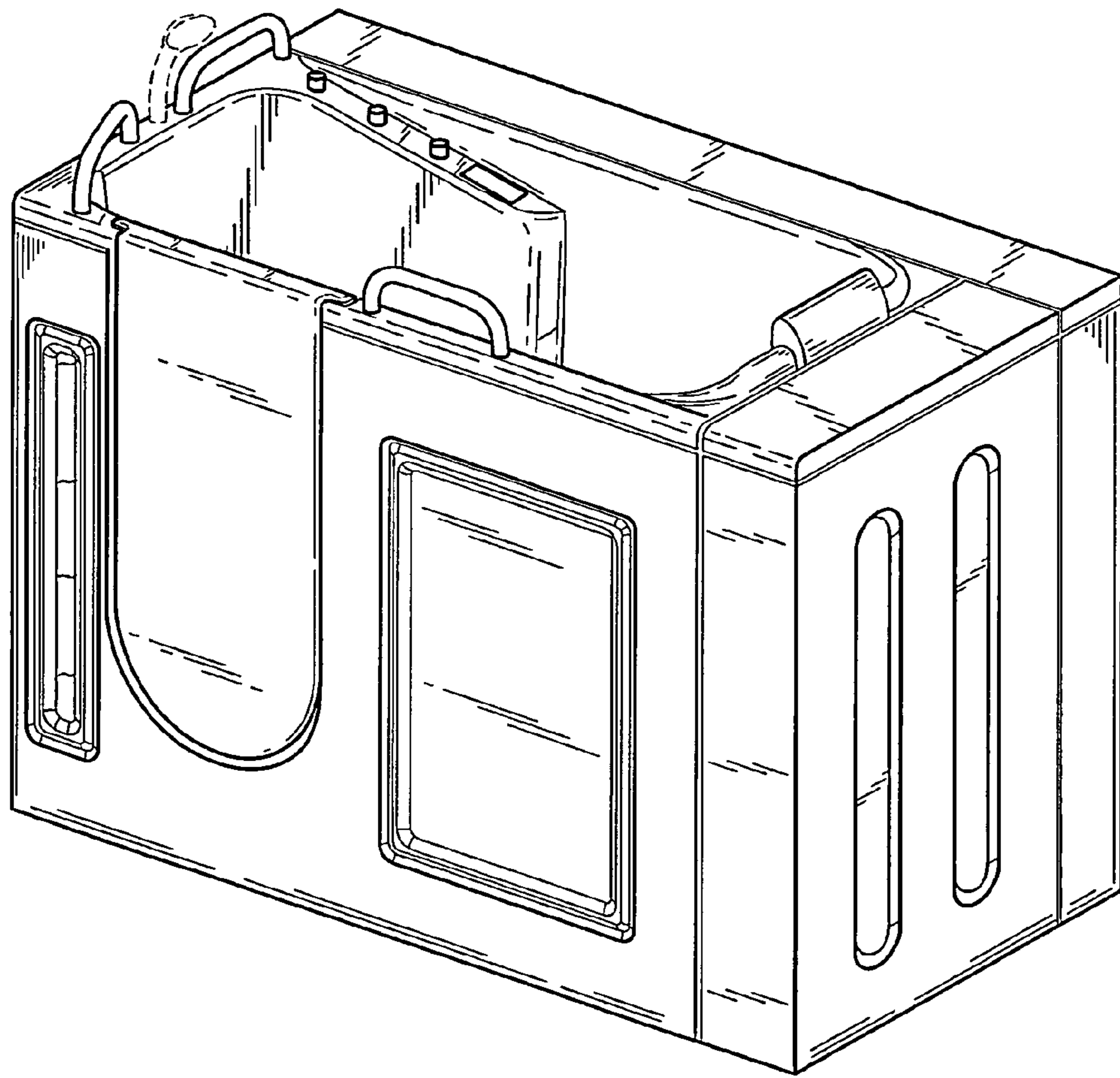
FIG. 8 is a cut-away front perspective view of the rear seat of the whirlpool tub shown in FIG. 1.

In a preferred embodiment, the nature of this product is as a whirlpool tub, which is primarily useful for allowing entry through a side door.

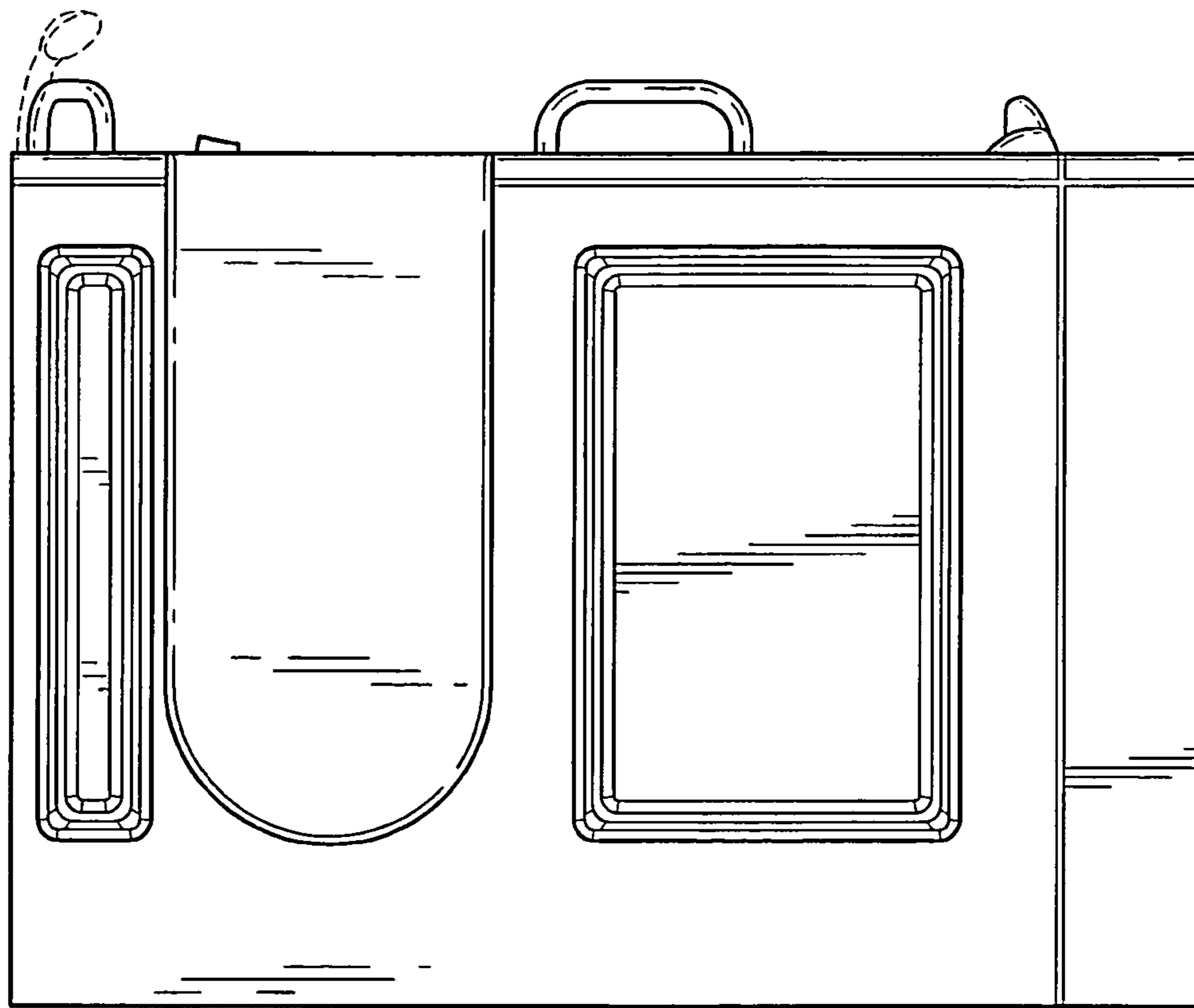
The features shown in broken lines depict environmental structure only and form no part of the claimed design.

**1 Claim, 7 Drawing Sheets**

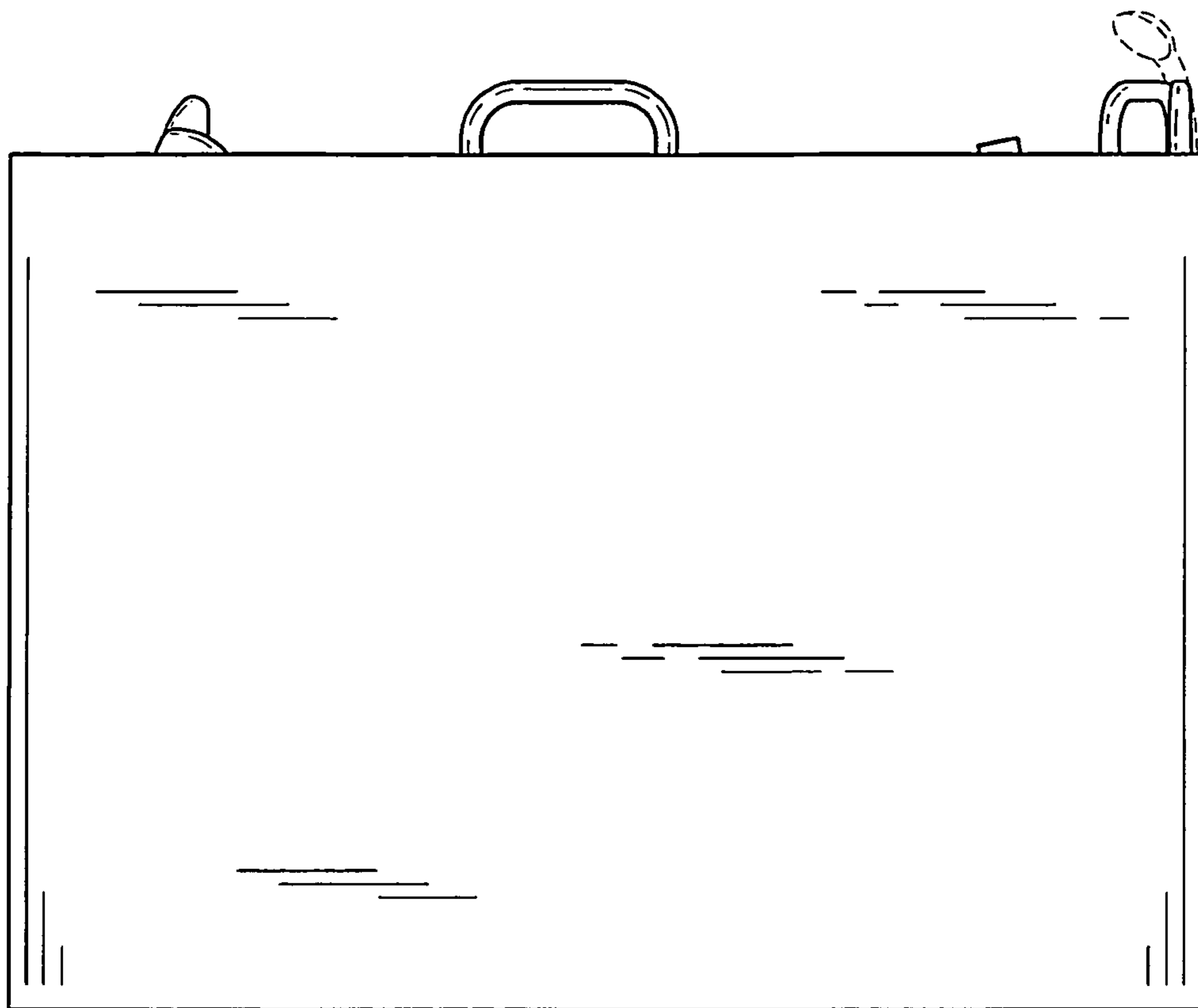




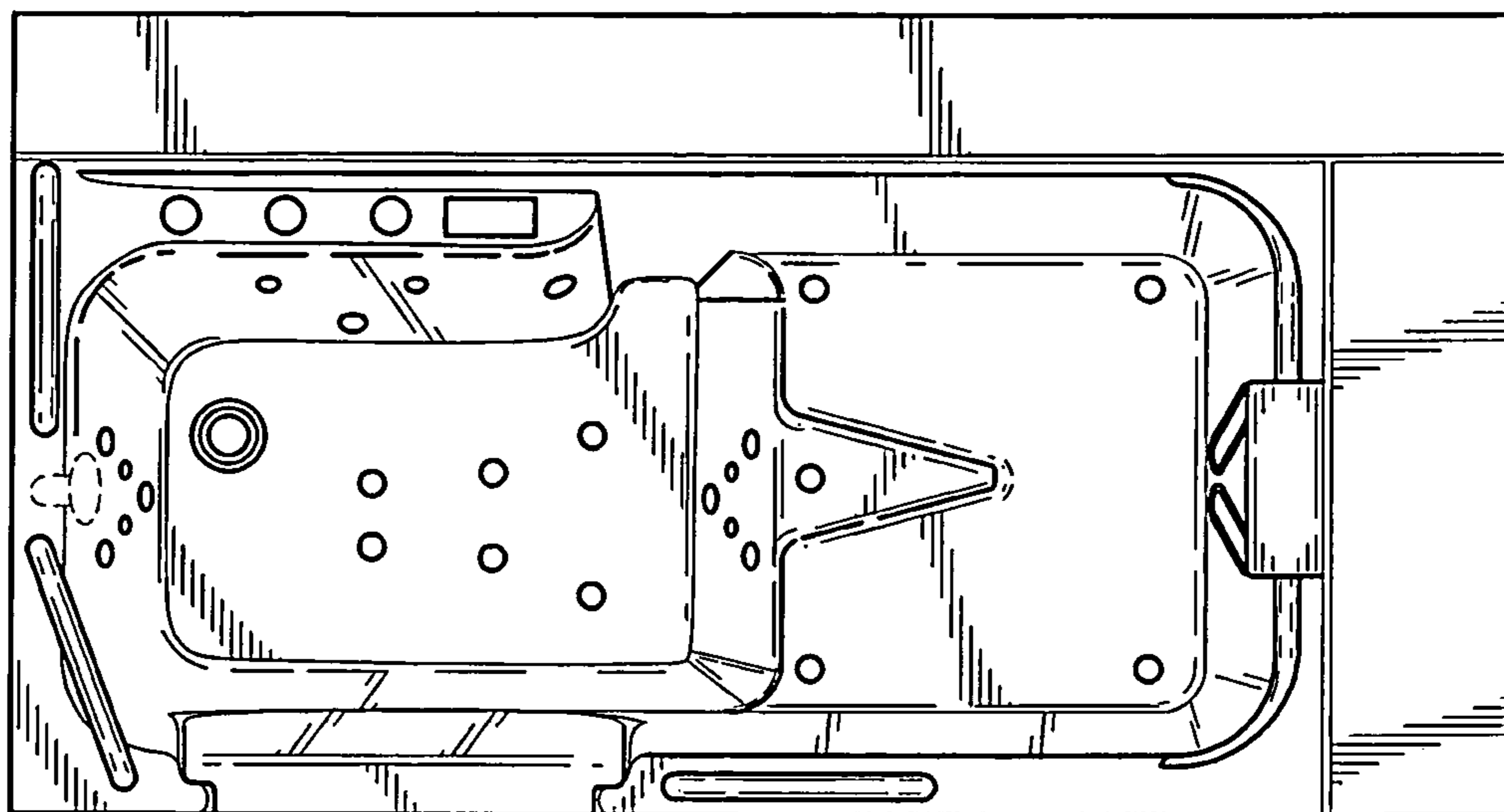
**FIG. 1**



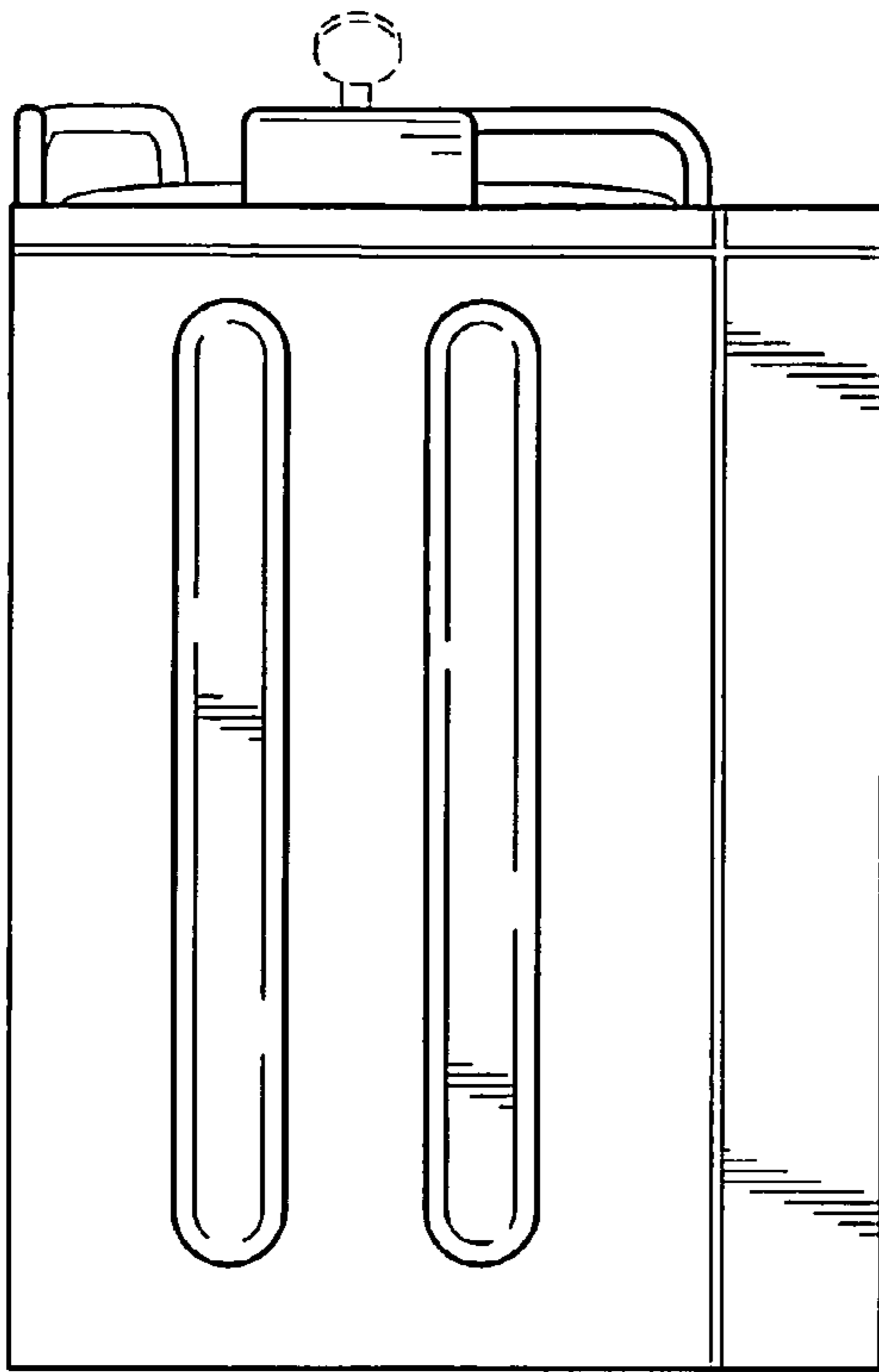
**FIG. 2**



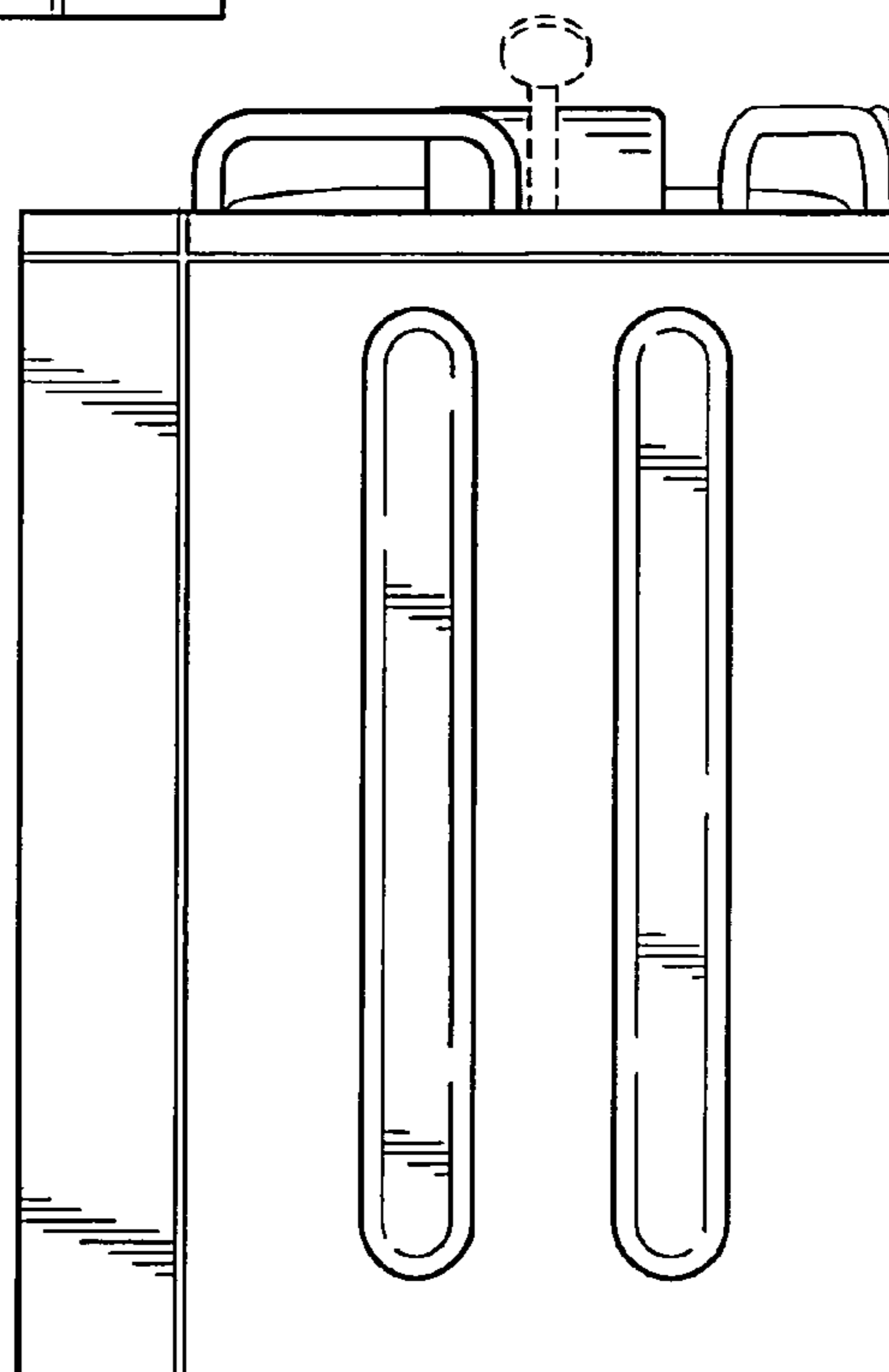
**FIG. 3**



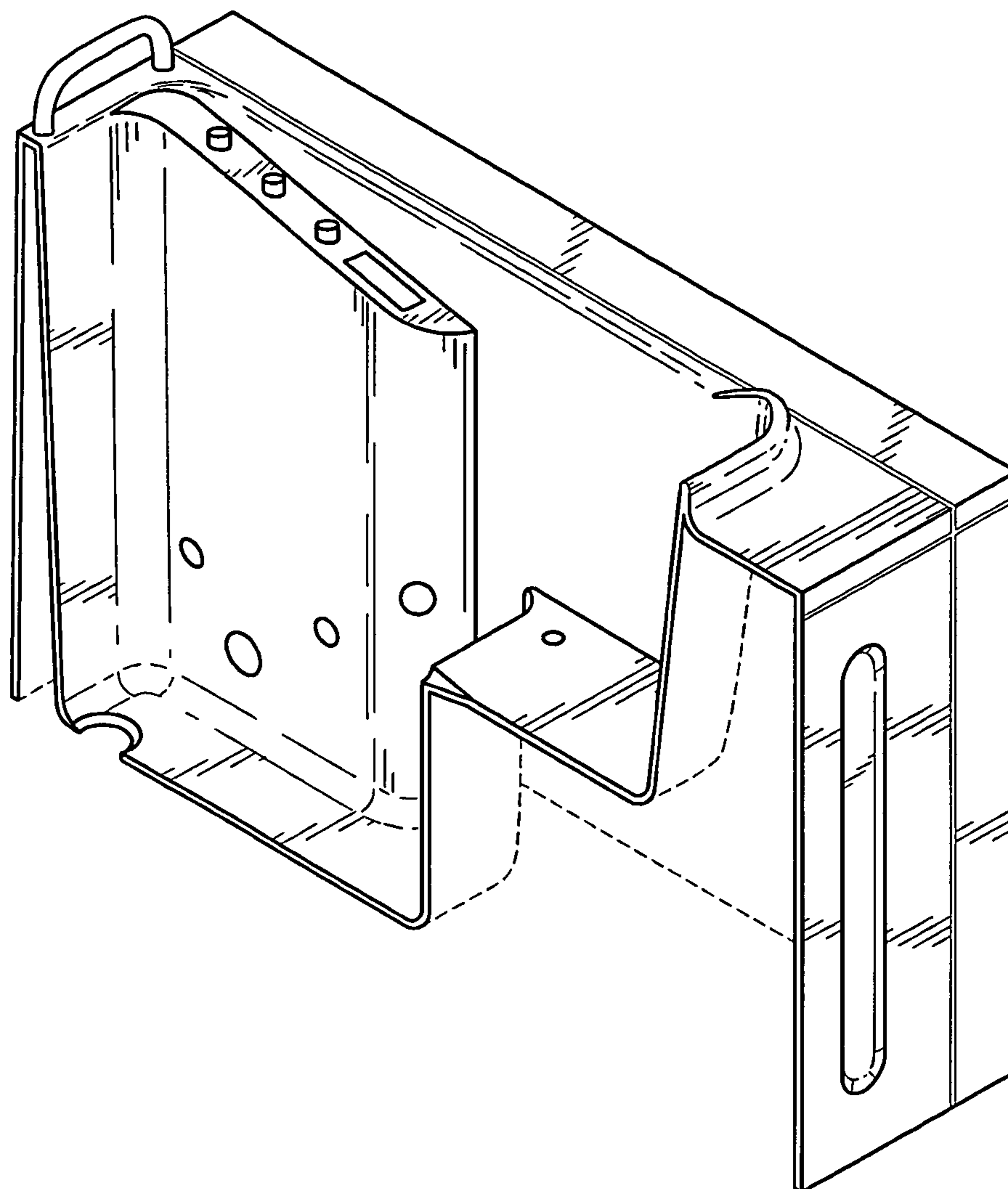
**FIG. 4**



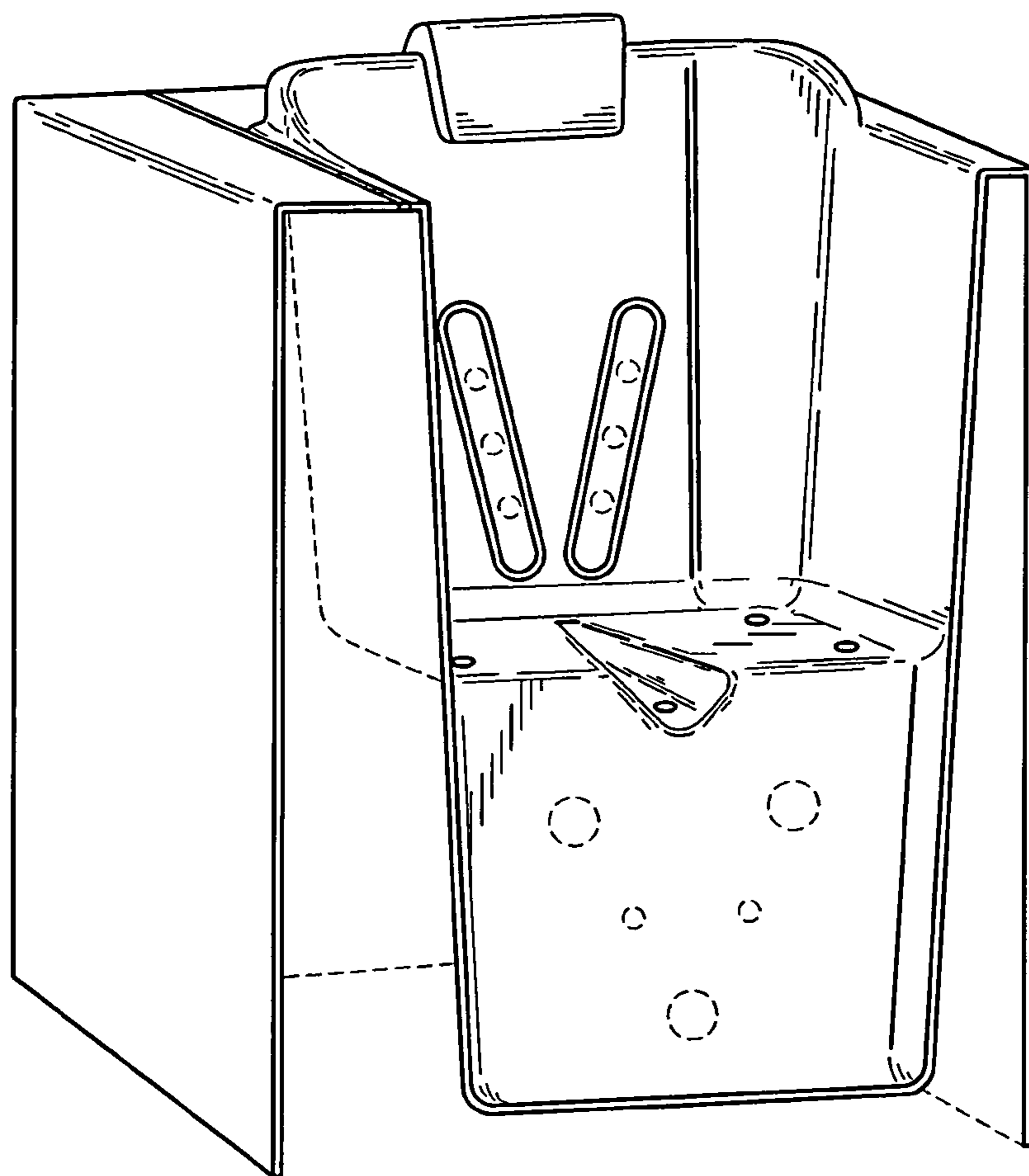
**FIG. 5**



**FIG. 6**



**FIG. 7**



**FIG. 8**