



US00D686331S

(12) **United States Design Patent**
Dussere

(10) **Patent No.:** **US D686,331 S**
(45) **Date of Patent:** **** Jul. 16, 2013**

(54) **PACIFIER**

(71) Applicant: **BB Unik**, Maisons Alfort (FR)

(72) Inventor: **Louis-Marie Dussere**, Paris (FR)

(73) Assignee: **BB UNIK**, Maisons Alfort (FR)

(**) Term: **14 Years**

(21) Appl. No.: **29/438,384**

(22) Filed: **Nov. 29, 2012**

(30) **Foreign Application Priority Data**

May 29, 2012 (EM) 002048892-0001

(51) **LOC (9) Cl.** **24-04**

(52) **U.S. Cl.**
USPC **D24/194**

(58) **Field of Classification Search**
USPC D24/193-196, 199; 606/234-236;
215/11.1-11.6
See application file for complete search history.

(56) **References Cited**

U.S. PATENT DOCUMENTS

D380,836 S *	7/1997	Fitzpatrick et al.	D24/194
D391,641 S *	3/1998	Fields et al.	D24/194
D457,966 S *	5/2002	Espemar	D24/194
D532,521 S *	11/2006	Struckmeier	D24/194
7,144,416 B2 *	12/2006	Struckmeier et al.	606/236

D548,847 S *	8/2007	Dunn et al.	D24/194
D554,760 S *	11/2007	Brockhaus et al.	D24/194
D559,391 S *	1/2008	Kliegman et al.	D24/194
D645,154 S *	9/2011	Belluzzi et al.	D24/194
8,066,738 B2 *	11/2011	Kliegman et al.	606/234
D656,619 S *	3/2012	Valderrama et al.	D24/194
8,133,259 B2 *	3/2012	Roehrig et al.	606/234
D659,253 S *	5/2012	Valderrama et al.	D24/194
2005/0222621 A1 *	10/2005	Duwelius et al.	606/235
2007/0112386 A1 *	5/2007	Branam	606/234
2011/0130790 A1 *	6/2011	Hezari et al.	606/234

* cited by examiner

Primary Examiner — Susan E Krakower

(74) *Attorney, Agent, or Firm* — Nicholas B. Trenkle, Esq.;
Stites & Harbison, PLLC.

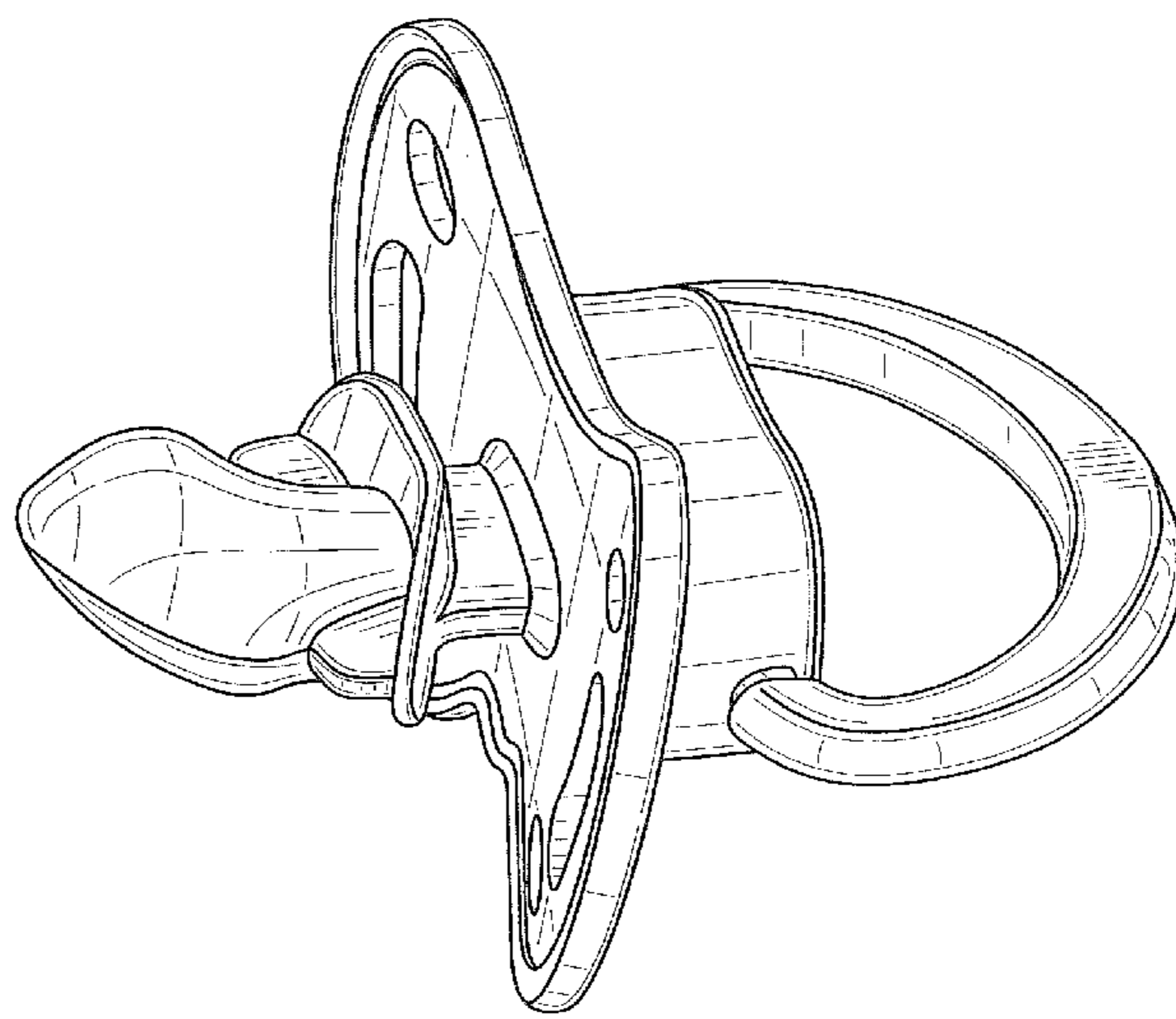
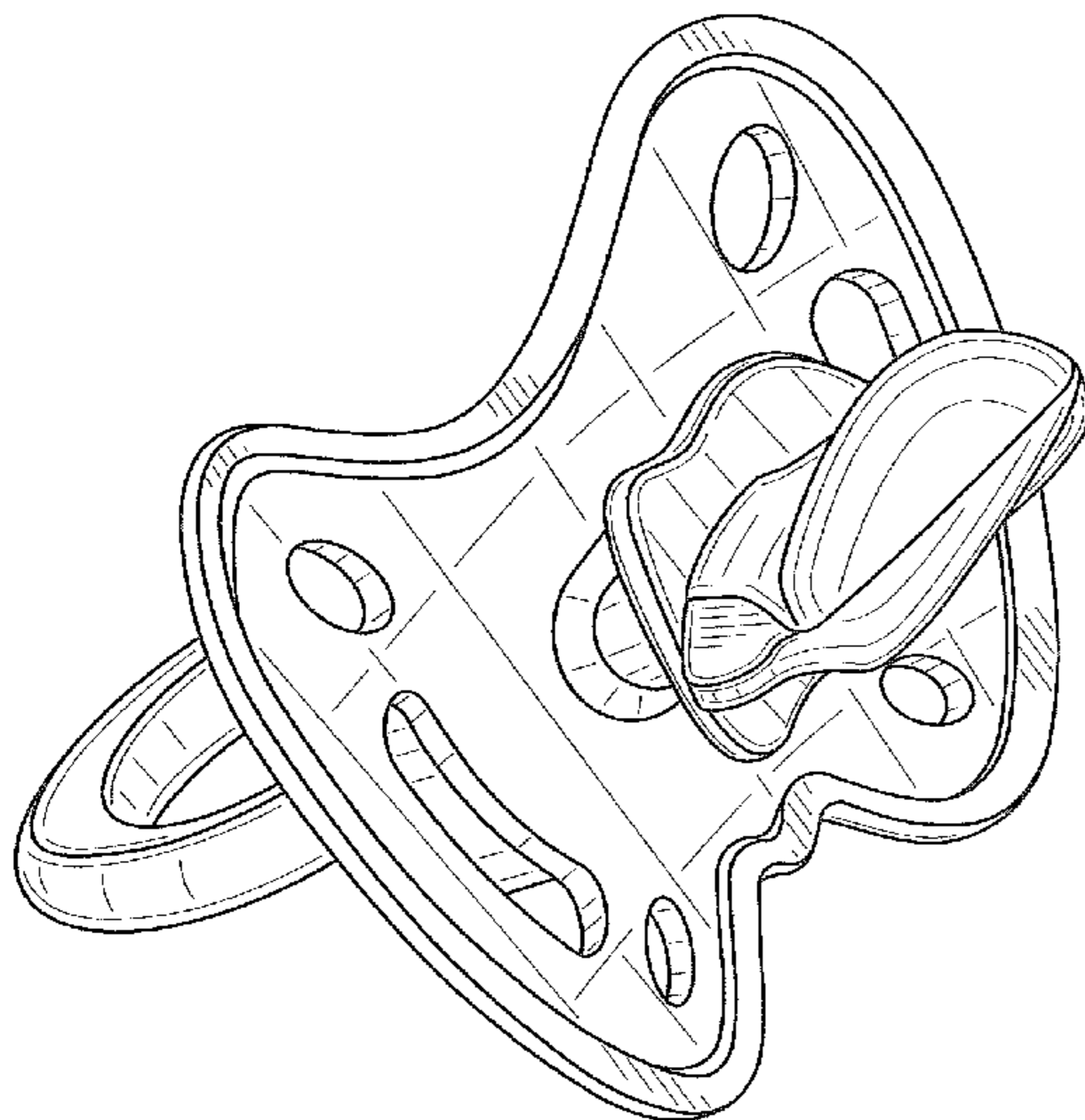
(57) **CLAIM**

The ornamental design for a pacifier, as shown and described.

DESCRIPTION

FIG. 1 is a left-side and front perspective view of a pacifier showing my new design;
FIG. 2 is a top and right-side perspective view thereof;
FIG. 3 is a front elevational view thereof;
FIG. 4 is a left-side perspective view thereof;
FIG. 5 is a right-side perspective view thereof;
FIG. 6 is a top plan view thereof; and,
FIG. 7 is a bottom perspective view thereof.
The broken lines illustrate portions of the pacifier which form no part of the claimed design.

1 Claim, 7 Drawing Sheets



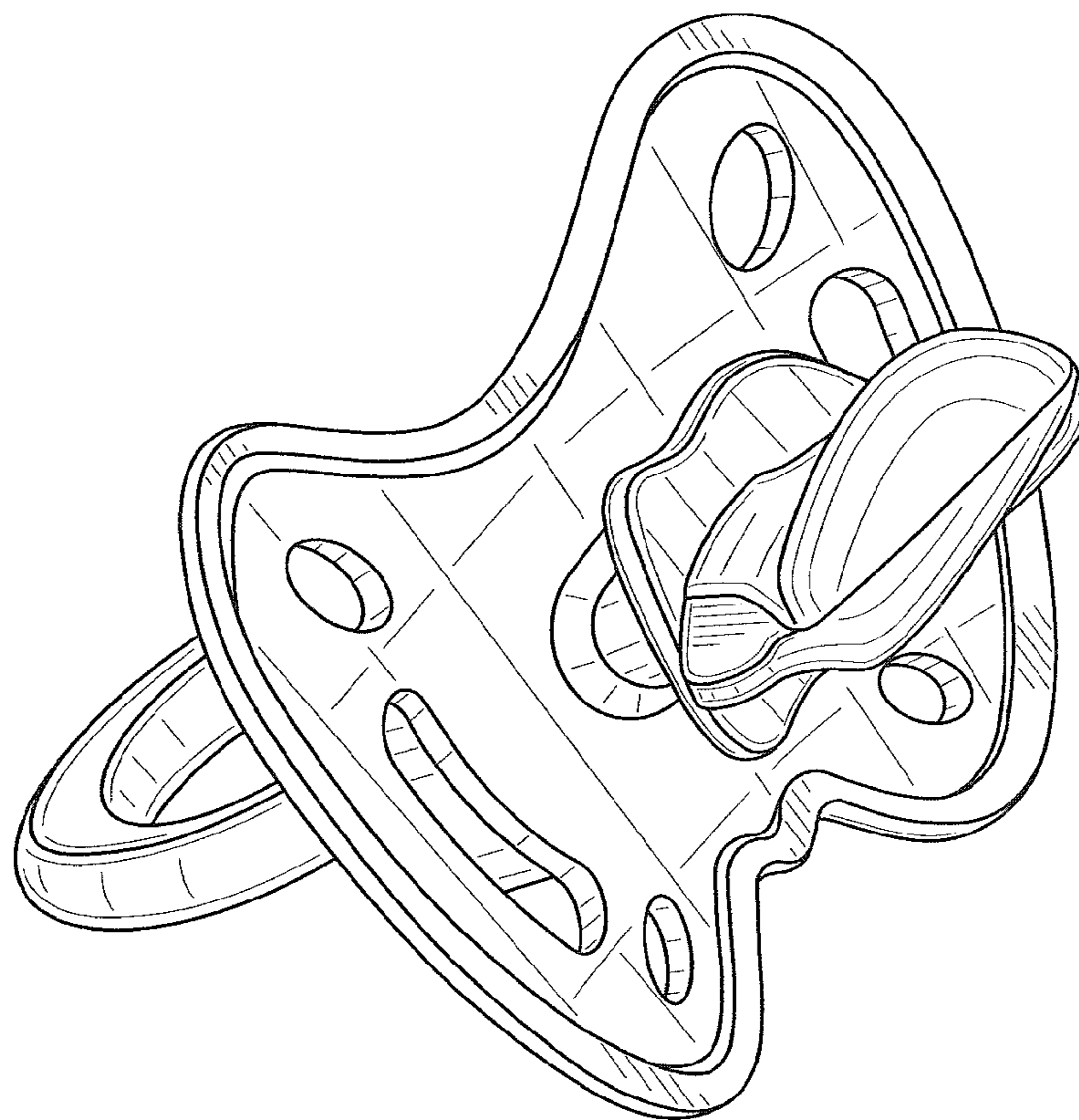


FIG. 1

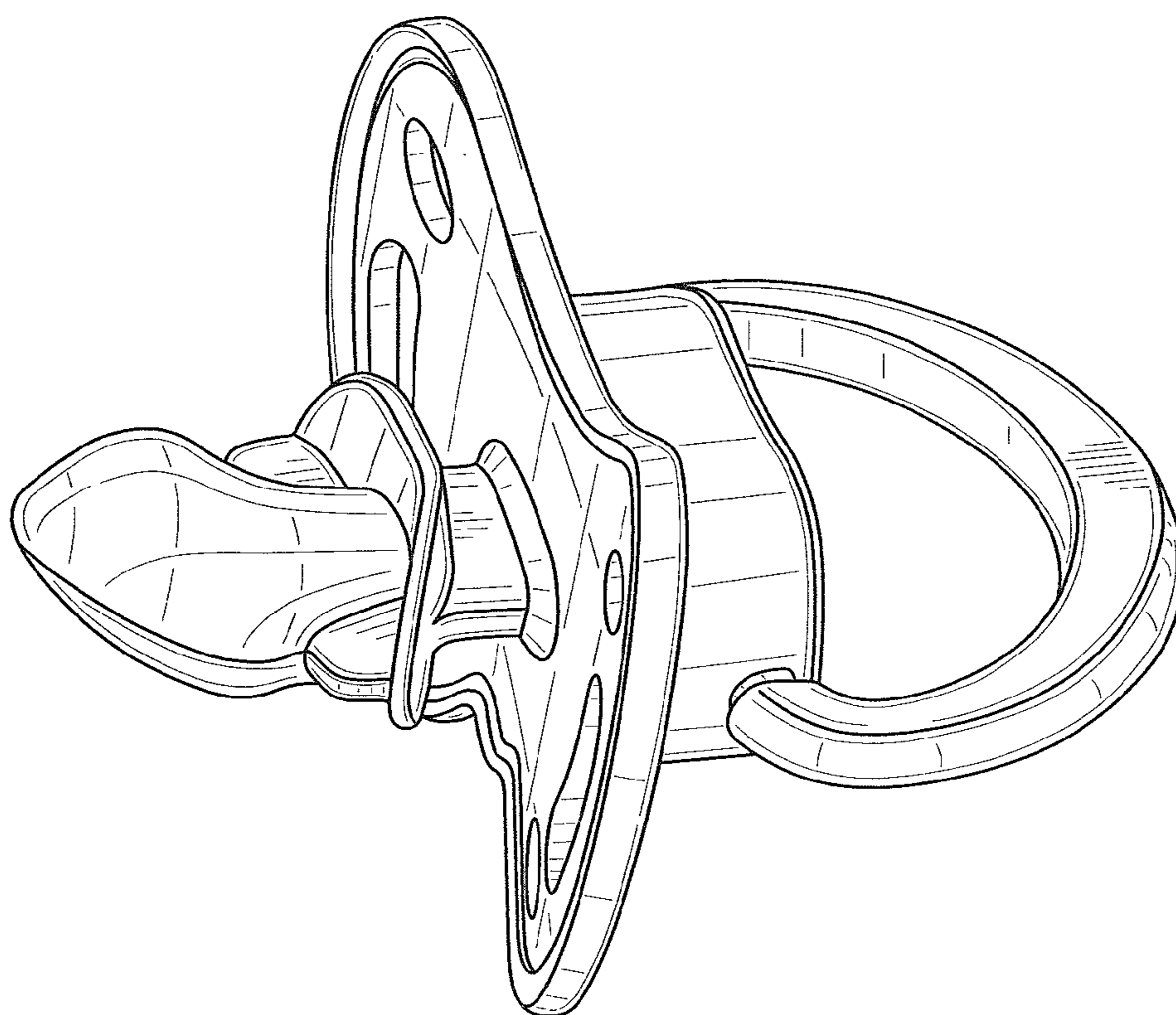


FIG. 2

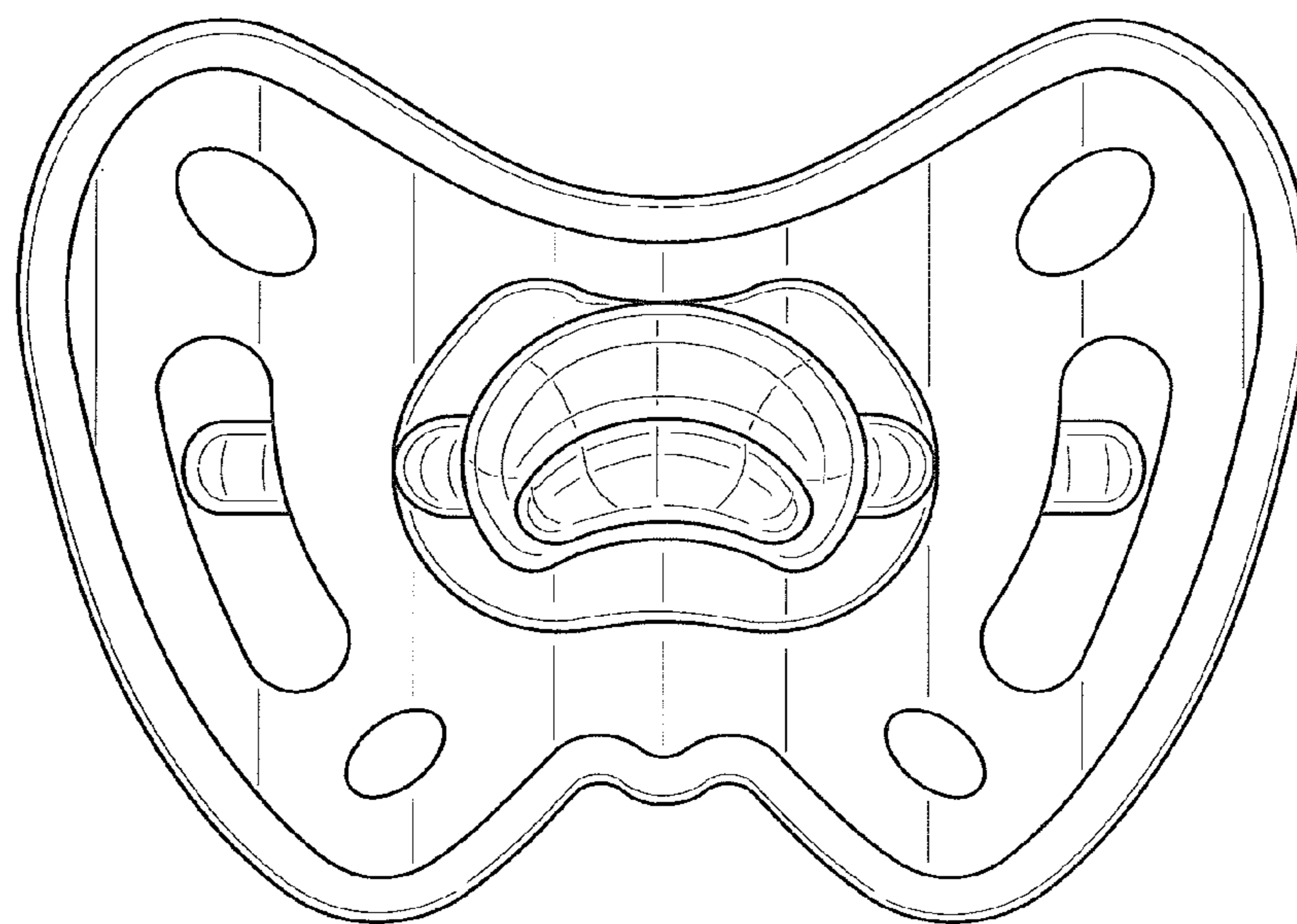


FIG. 3

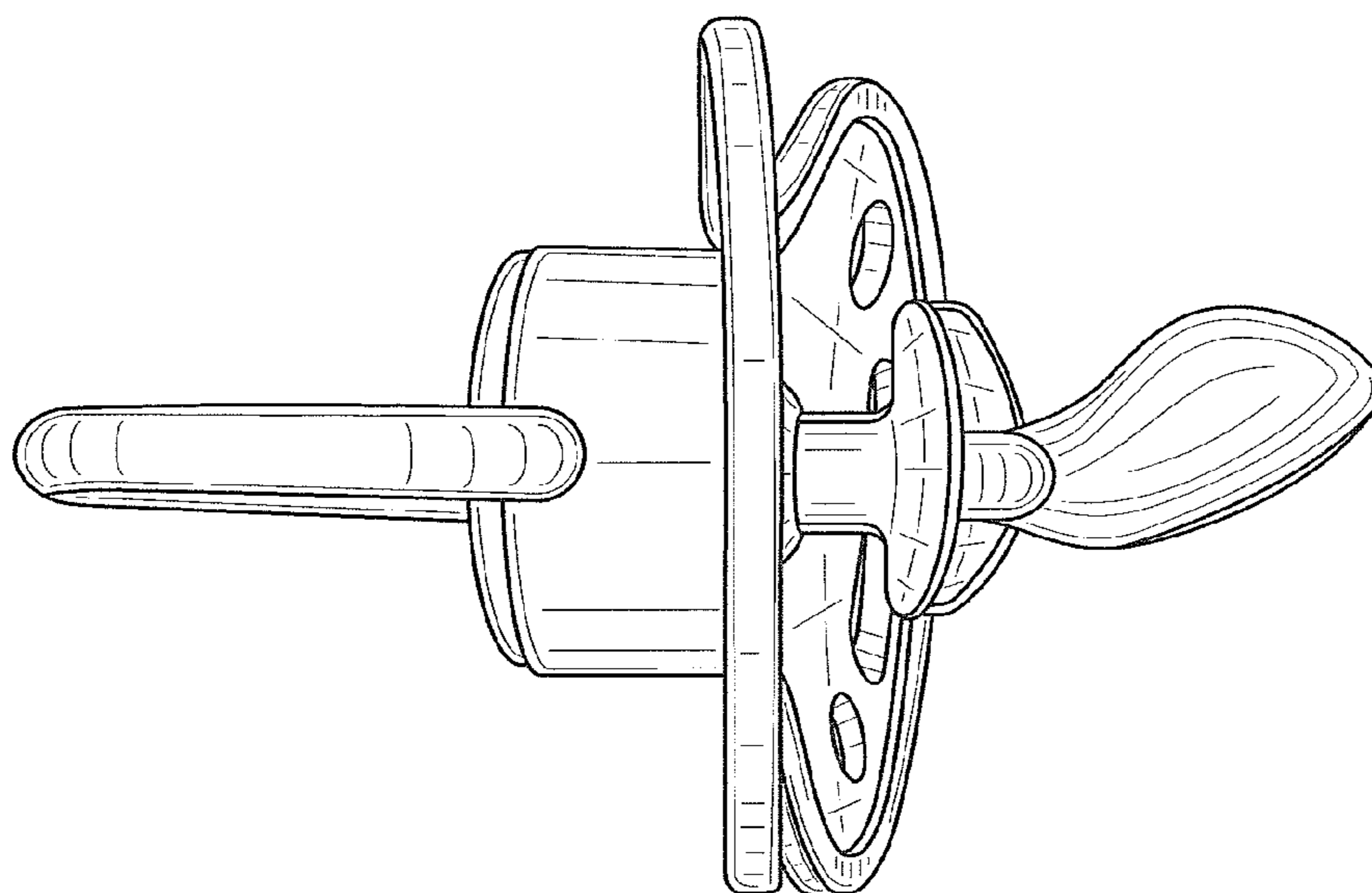


FIG. 4

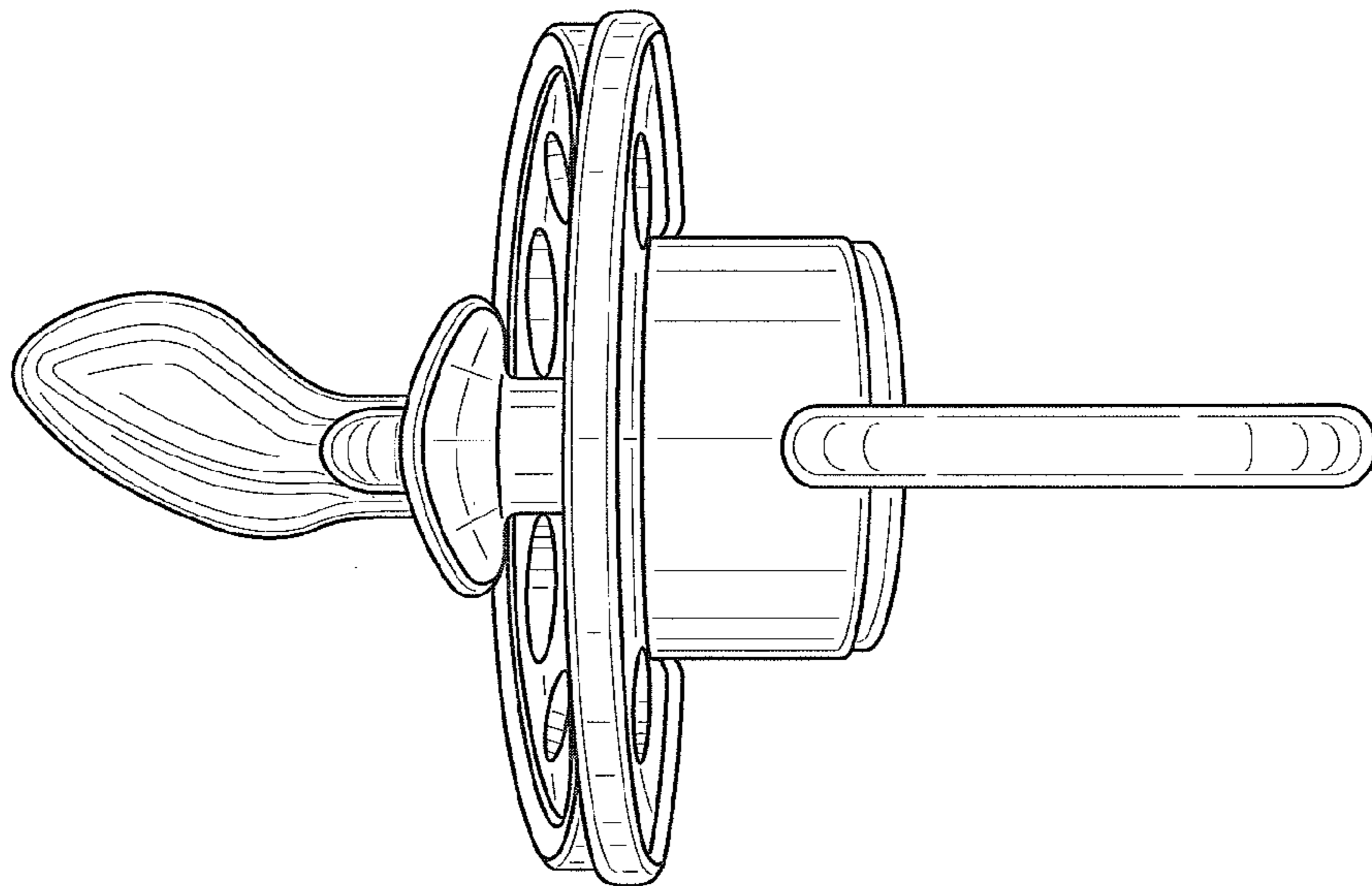


FIG. 5

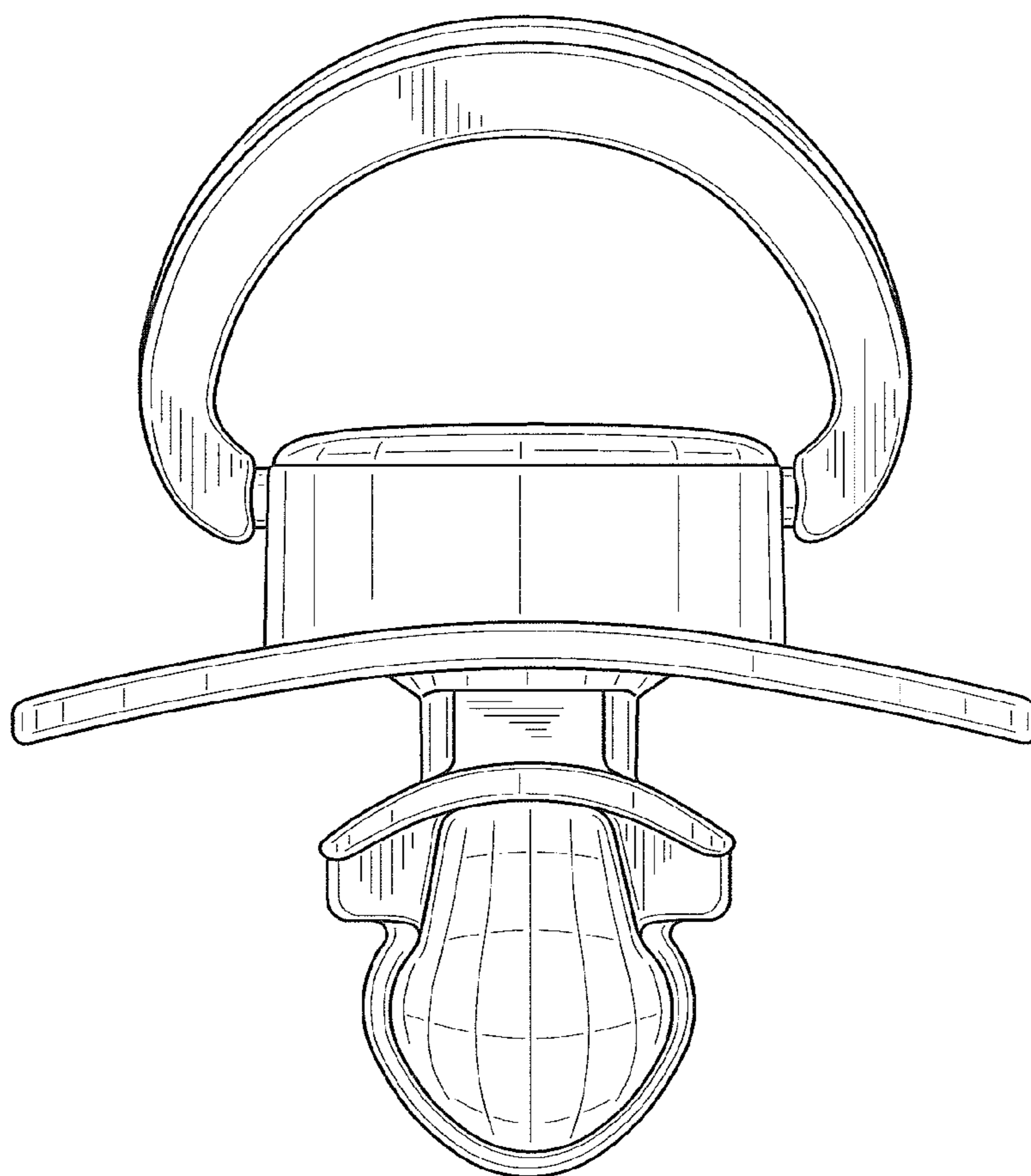


FIG. 6

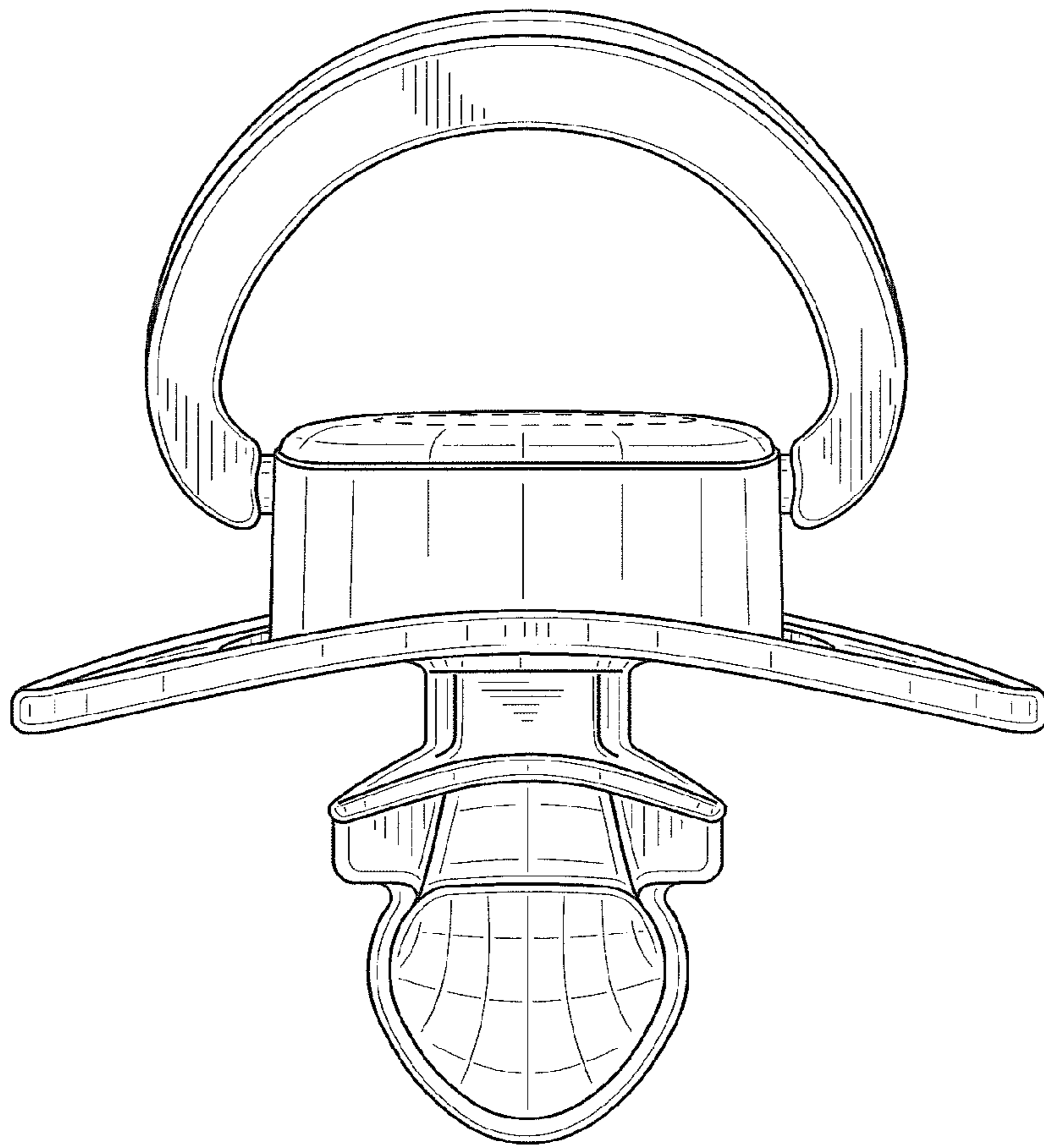


FIG. 7