



US00D686325S

(12) **United States Design Patent**
Tuneberg

(10) **Patent No.:** **US D686,325 S**

(45) **Date of Patent:** **** *Jul. 16, 2013**

(54) **BUCCAL TUBE**

(75) Inventor: **Lee H. Tuneberg**, Sheboygan, WI (US)

(73) Assignee: **American Orthodontic Corporation**,
Sheboygan, WI (US)

(*) Notice: This patent is subject to a terminal disclaimer.

(**) Term: **14 Years**

(21) Appl. No.: **29/348,218**

(22) Filed: **Dec. 9, 2009**

Related U.S. Application Data

(63) Continuation-in-part of application No. 11/823,564, filed on Jun. 28, 2007, now abandoned, which is a continuation of application No. 10/862,054, filed on Jun. 4, 2004, now abandoned.

(51) **LOC (9) Cl.** **24-99**

(52) **U.S. Cl.**
USPC **D24/180**

(58) **Field of Classification Search**
USPC D24/180-182, 176-178; 433/2, 8-10,
433/14, 16-17, 18, 20, 23
See application file for complete search history.

(56) **References Cited**

U.S. PATENT DOCUMENTS

3,874,080 A * 4/1975 Wallshein 433/16
D359,776 S * 6/1995 Hilgers D24/180

5,707,232 A * 1/1998 Strauss et al. 433/17
5,727,941 A * 3/1998 Kesling 433/17
6,126,441 A * 10/2000 Tenti 433/17
6,217,322 B1 * 4/2001 Kesling 433/17
6,910,884 B2 * 6/2005 Kelly et al. 433/9
2004/0265768 A1 * 12/2004 Tuneberg 433/17
2007/0254258 A1 * 11/2007 Tuneberg 433/17
2008/0081310 A1 * 4/2008 Smith et al. 433/17

OTHER PUBLICATIONS

Google Images Result for http://www.orthopli.com/jpeg_files/bracket/Buccaltube.jpg. 1 page. Viewed Feb. 2, 2011.*

* cited by examiner

Primary Examiner — Ian Simmons

Assistant Examiner — Wan Laymon

(74) *Attorney, Agent, or Firm* — Andrus, Sceales, Starke & Sawall, LLP

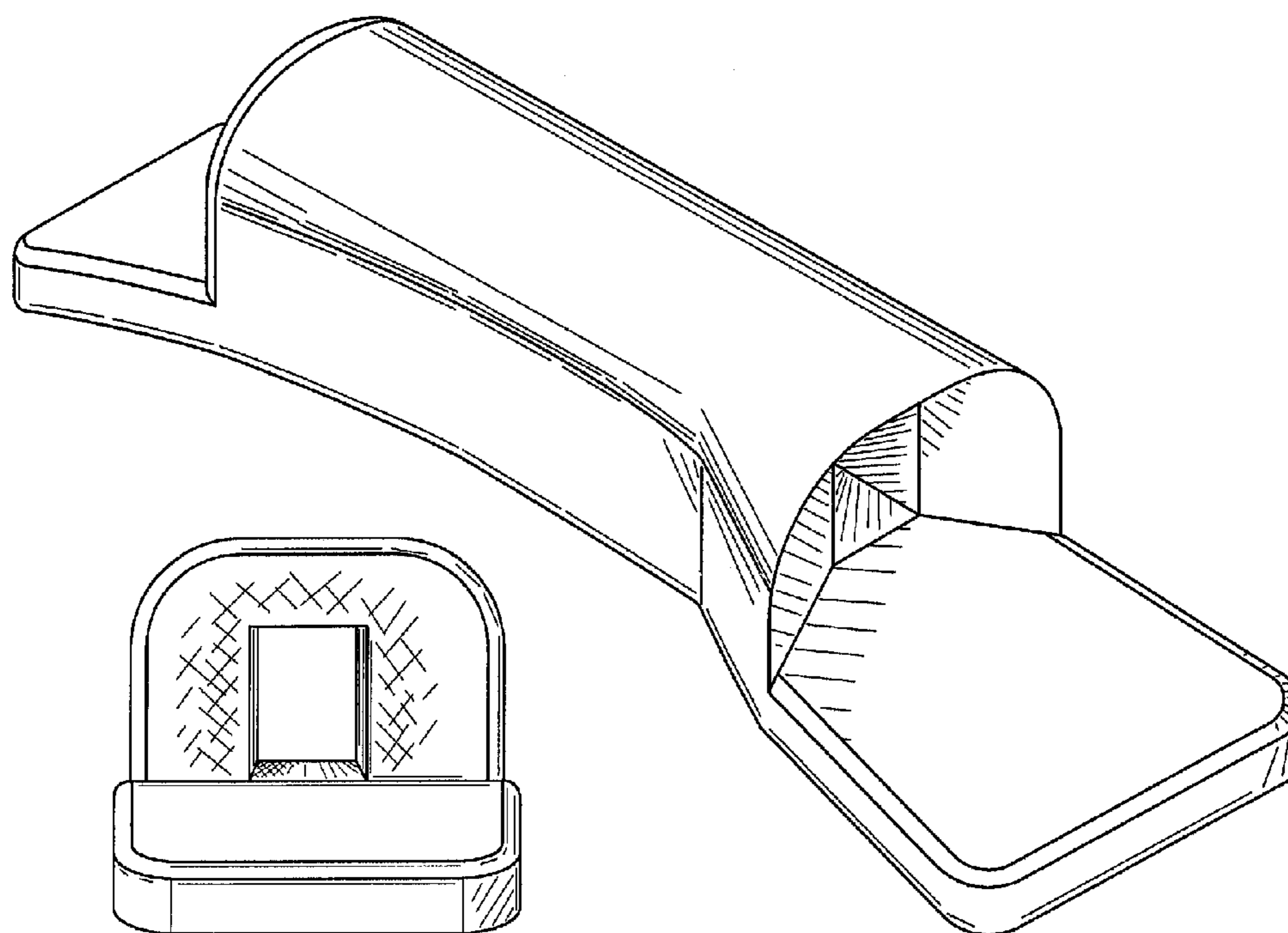
(57) **CLAIM**

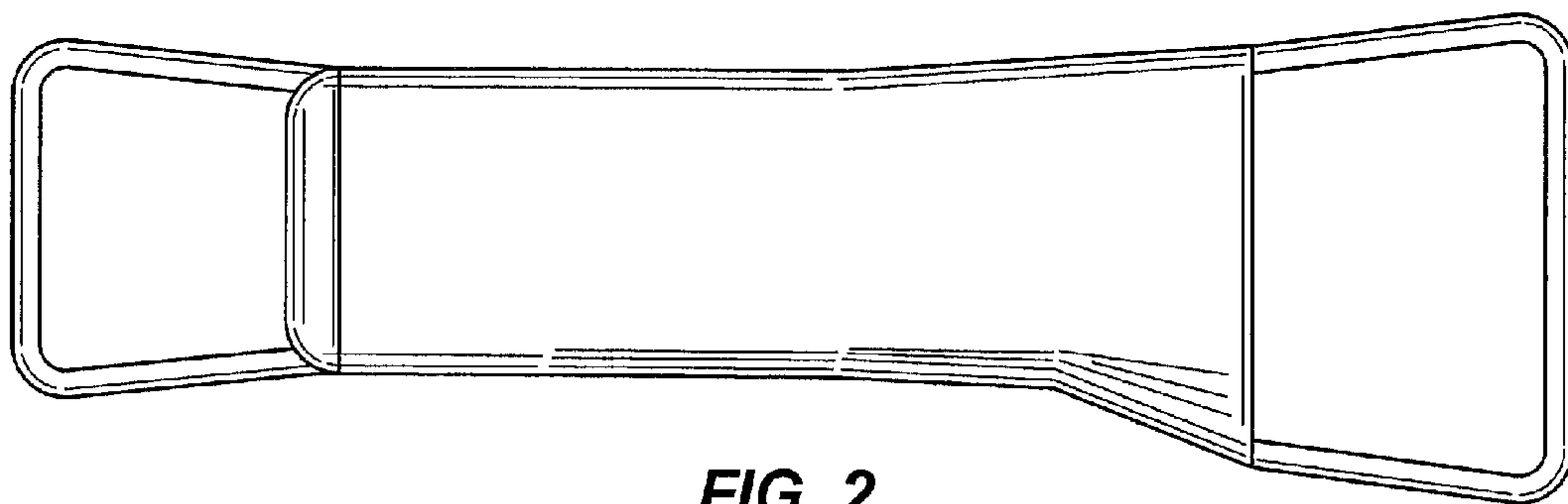
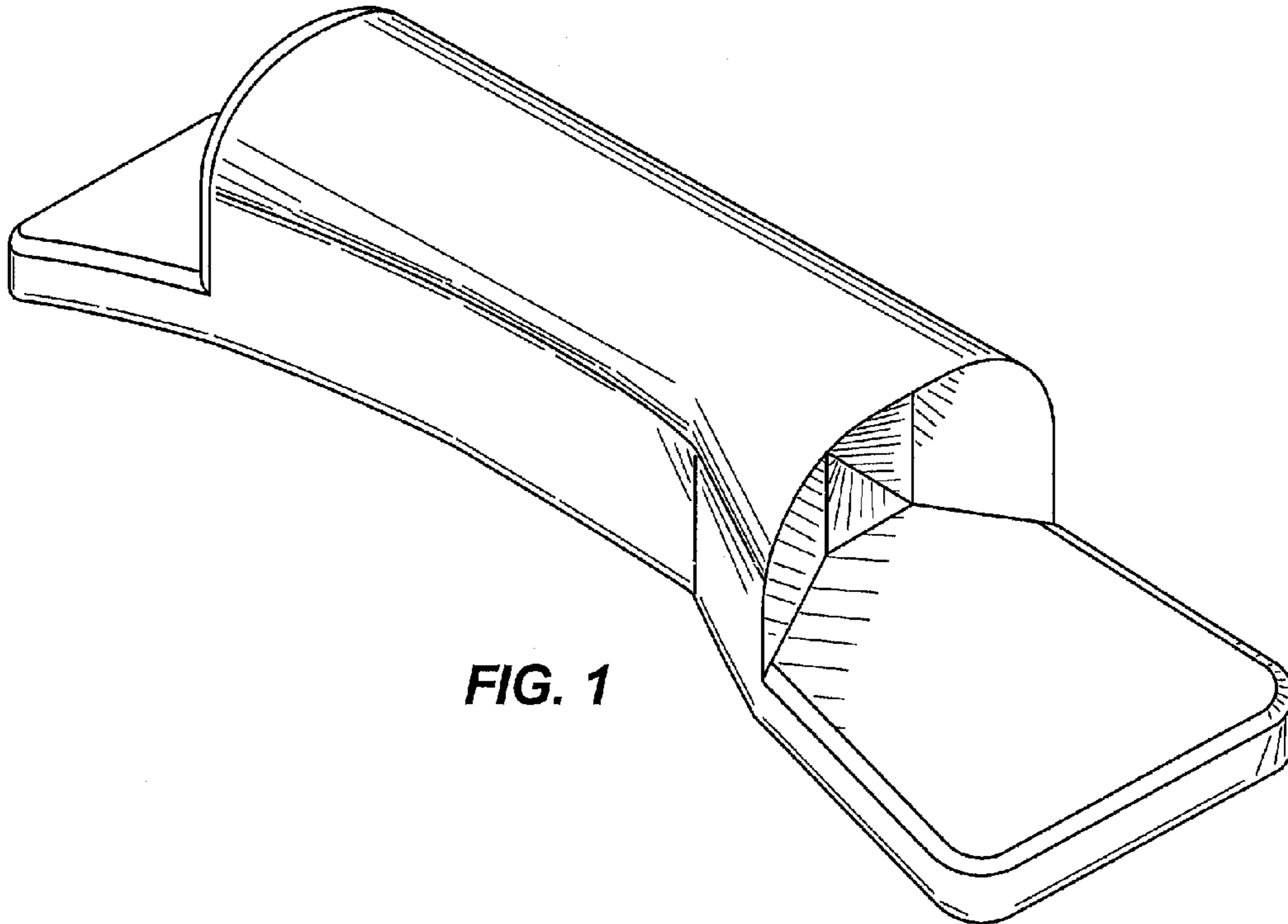
The ornamental design for a buccal tube, as shown and described.

DESCRIPTION

FIG. 1 is a top and front perspective view of a buccal tube according to the invention;
FIG. 2 is a top view thereof;
FIG. 3 is a bottom view thereof;
FIG. 4 is a rear end view thereof; and,
FIG. 5 is a front end view thereof.

1 Claim, 2 Drawing Sheets





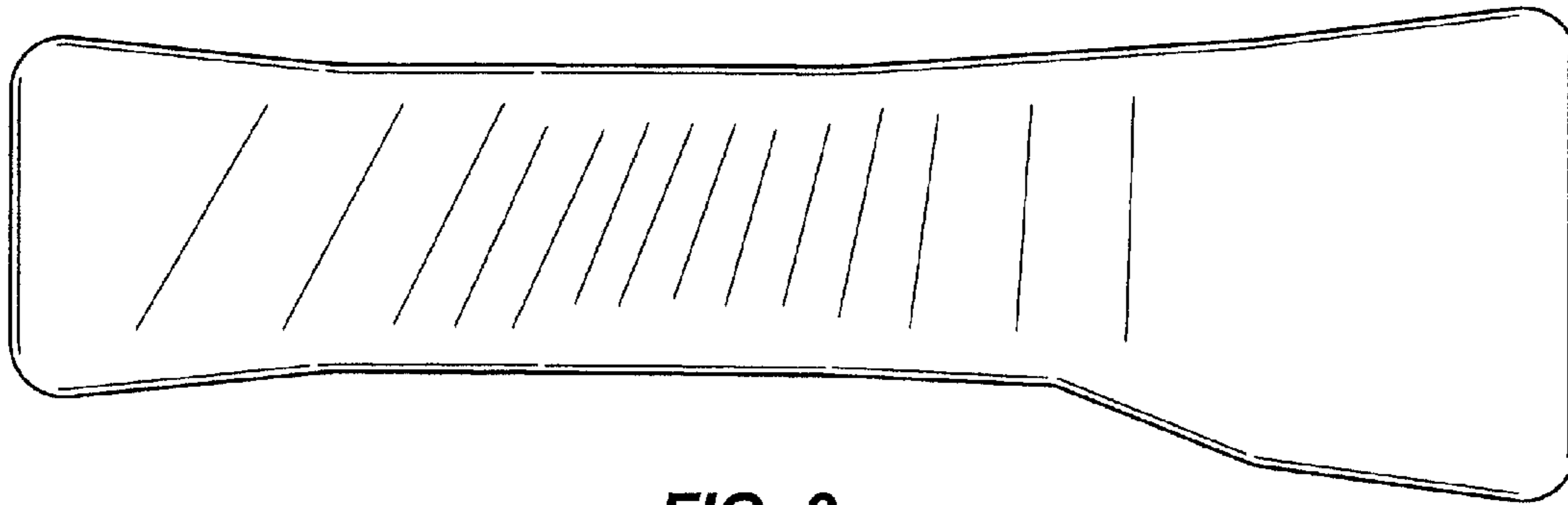


FIG. 3

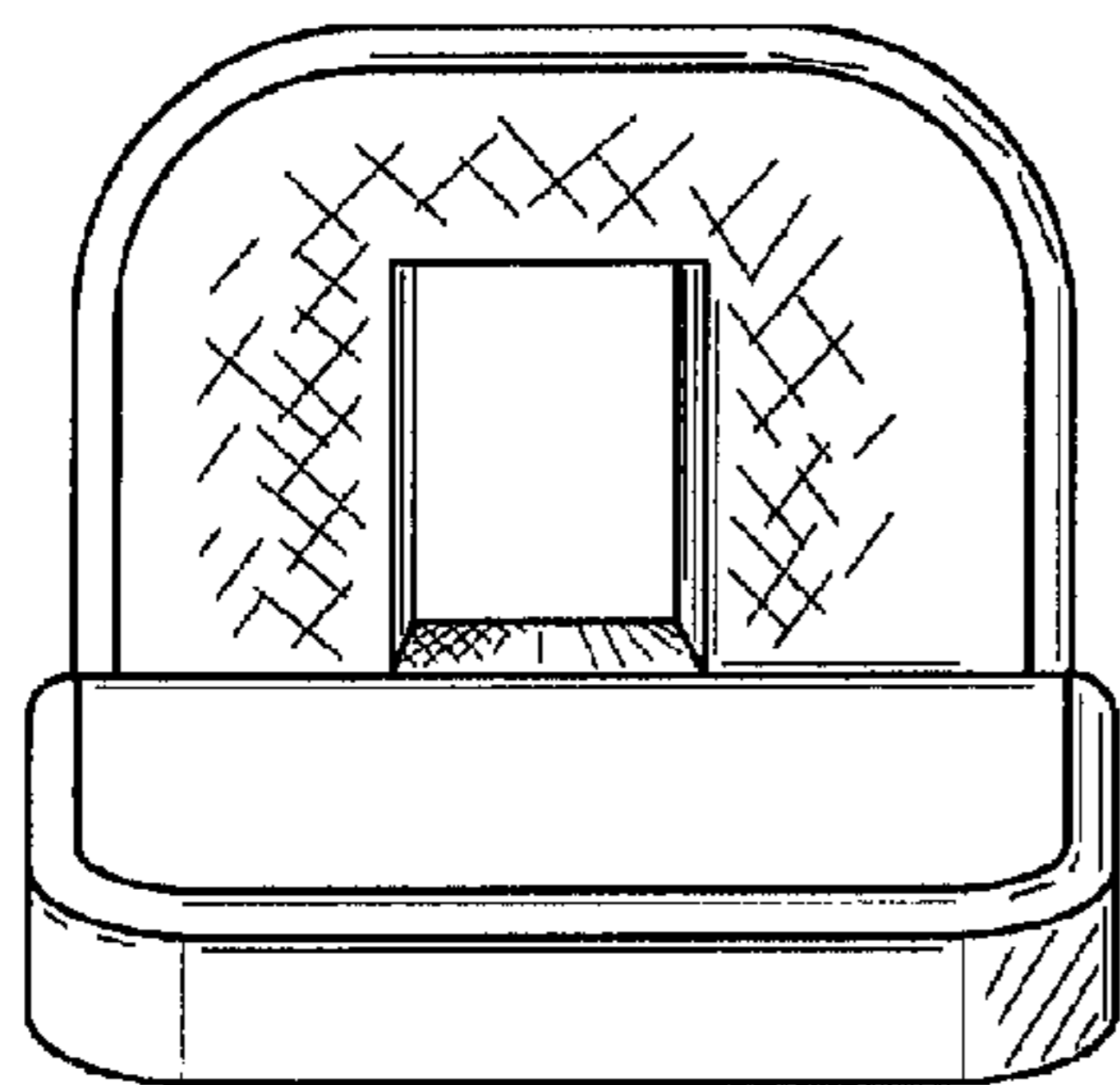


FIG. 4

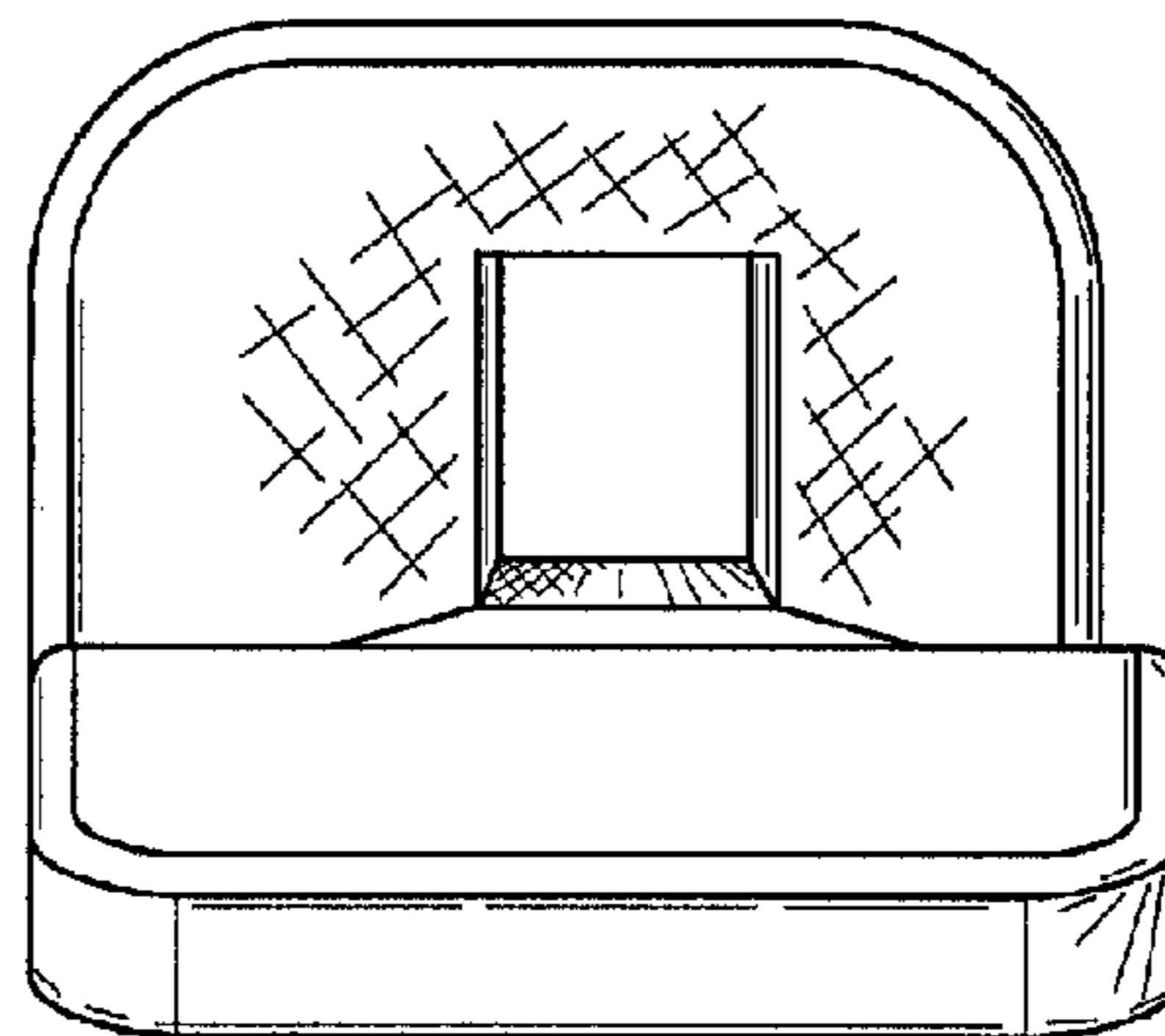


FIG. 5