



US00D686324S

(12) **United States Design Patent**
Davis et al.

(10) **Patent No.:** **US D686,324 S**
(45) **Date of Patent:** **** Jul. 16, 2013**

(54) **MAGNETIC RESONANCE IMAGING
RECEIVE COIL**

(75) Inventors: **Albert Michael Davis**, Richardson, TX
(US); **James Allen Higgins**, Plano, TX
(US)

(73) Assignee: **Mentis LLC**, Dallas, TX (US)

(**) Term: **14 Years**

(21) Appl. No.: **29/406,775**

(22) Filed: **Nov. 18, 2011**

(51) **LOC (9) Cl.** **24-01**

(52) **U.S. Cl.**
USPC **D24/158**

(58) **Field of Classification Search**
USPC D24/158-161, 185, 186; D8/355,
D8/363; 248/278.1, 324; 378/19, 21-27,
378/38, 39, 146, 179, 193, 195, 208; 600/410,
600/415, 422; 324/309

See application file for complete search history.

(56) **References Cited**

U.S. PATENT DOCUMENTS

4,763,345 A * 8/1988 Barbaric et al. 378/146
D320,660 S * 10/1991 Foreman et al. D24/158

5,150,710 A * 9/1992 Hall et al. 600/422
5,361,765 A * 11/1994 Herlihy et al. 600/422
5,363,845 A * 11/1994 Chowdhury et al. 600/422
5,386,191 A * 1/1995 McCarten et al. 324/318
D380,832 S * 7/1997 Isshiki et al. D24/158
D393,068 S * 3/1998 Isshiki D24/158
6,591,128 B1 * 7/2003 Wu et al. 600/422
6,644,852 B2 * 11/2003 Crain et al. 378/197
6,650,926 B1 * 11/2003 Chan et al. 600/422

* cited by examiner

Primary Examiner — Anhdao Doan

(74) *Attorney, Agent, or Firm* — Bill R. Naifeh

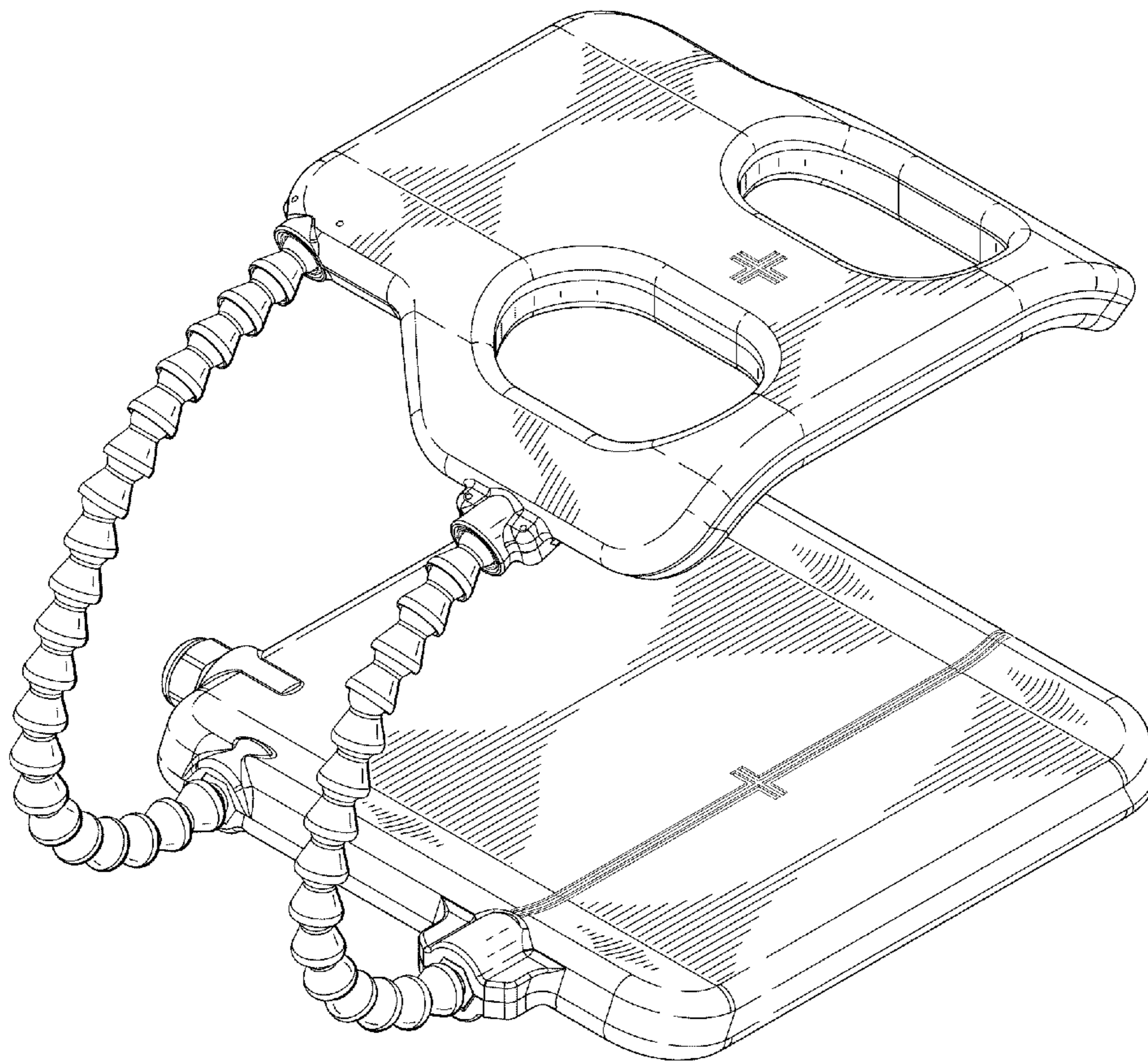
(57) **CLAIM**

The ornamental design for a magnetic resonance imaging receive coil, as shown and described.

DESCRIPTION

FIG. 1 is a back perspective view of a magnetic resonance imaging receive coil;
FIG. 2 is a left side view thereof;
FIG. 3 is a right side view thereof;
FIG. 4 is a front view thereof;
FIG. 5 is a back view thereof;
FIG. 6 is a top view thereof; and,
FIG. 7 is a bottom view thereof.

1 Claim, 7 Drawing Sheets



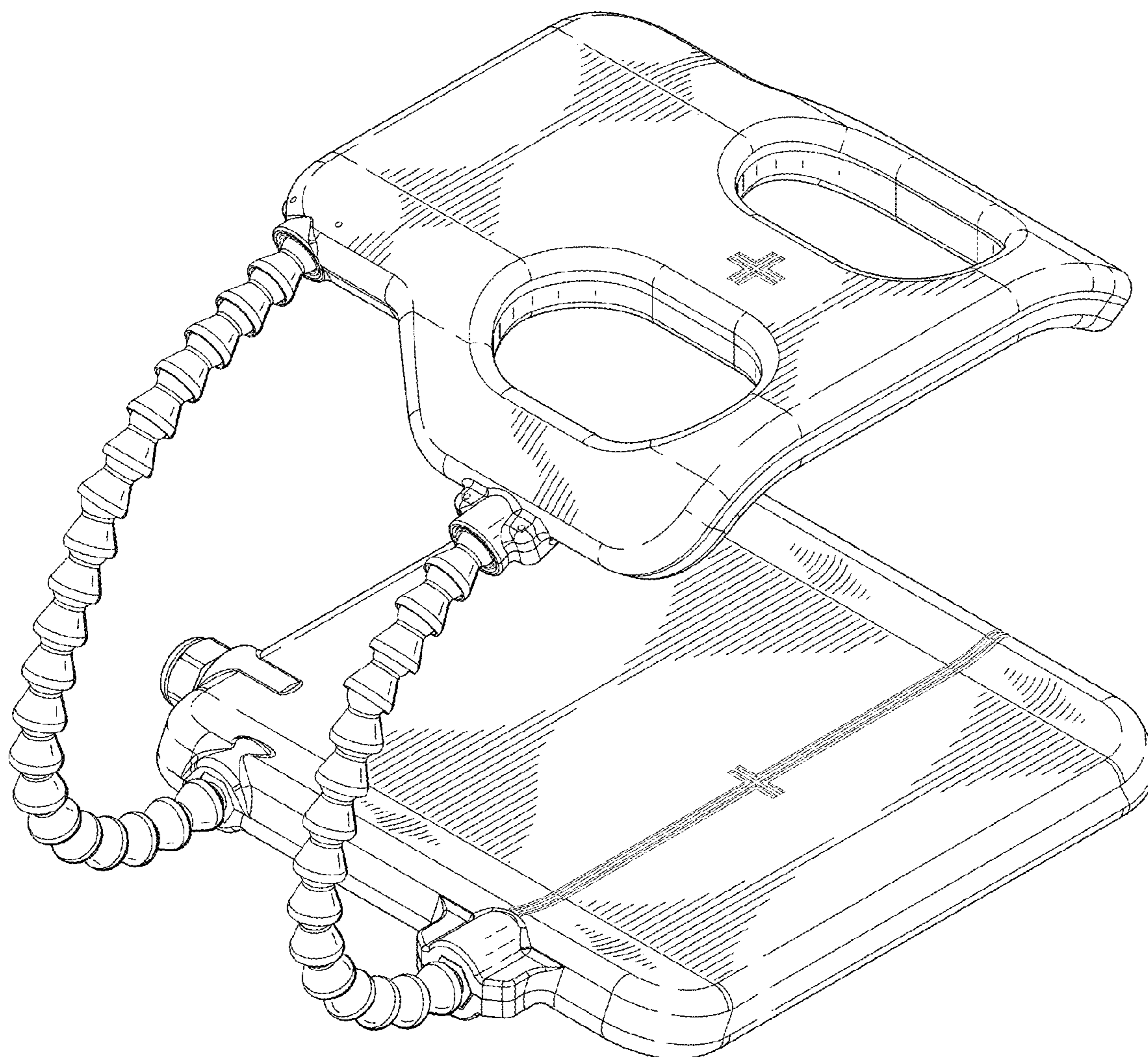


FIG. 1

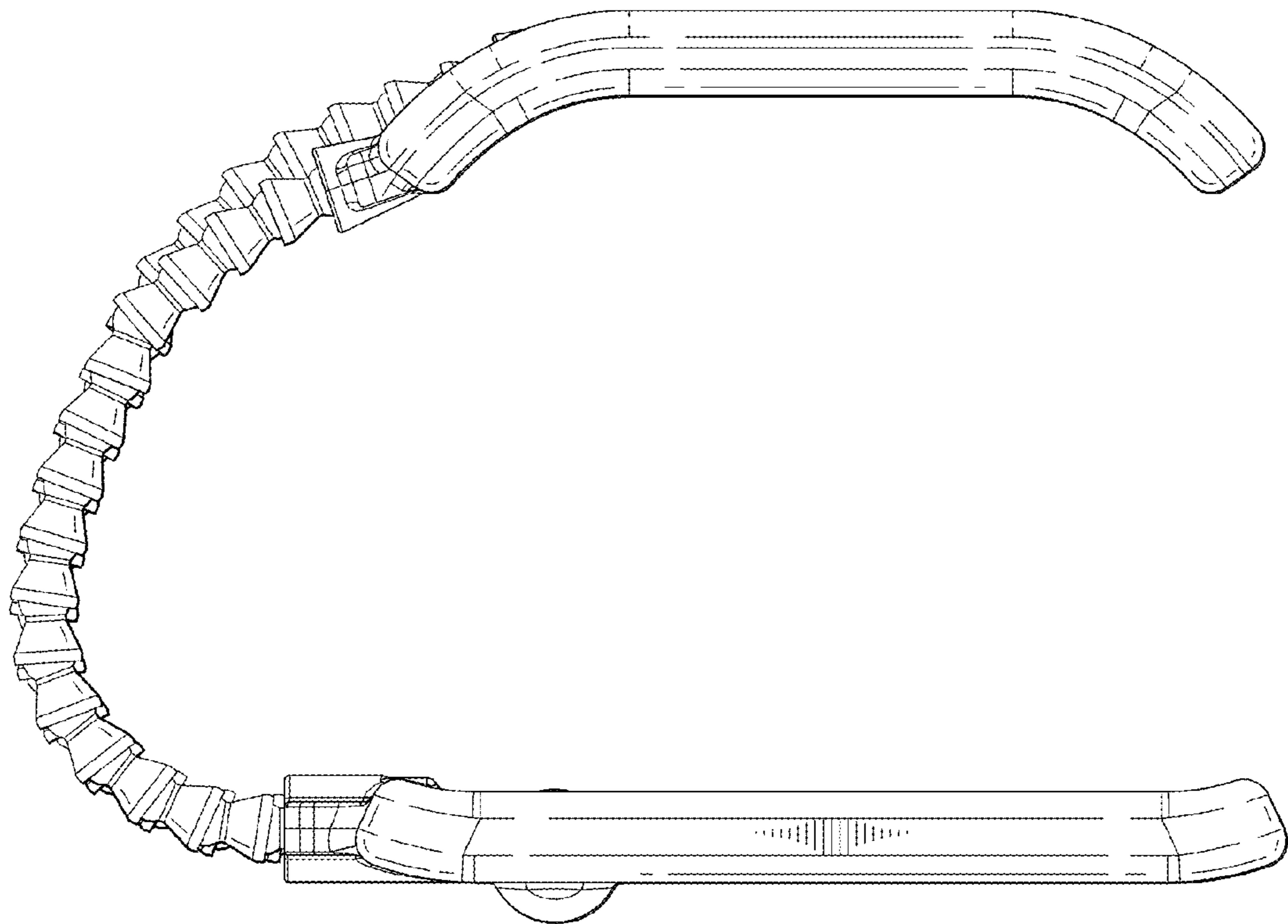


FIG. 2

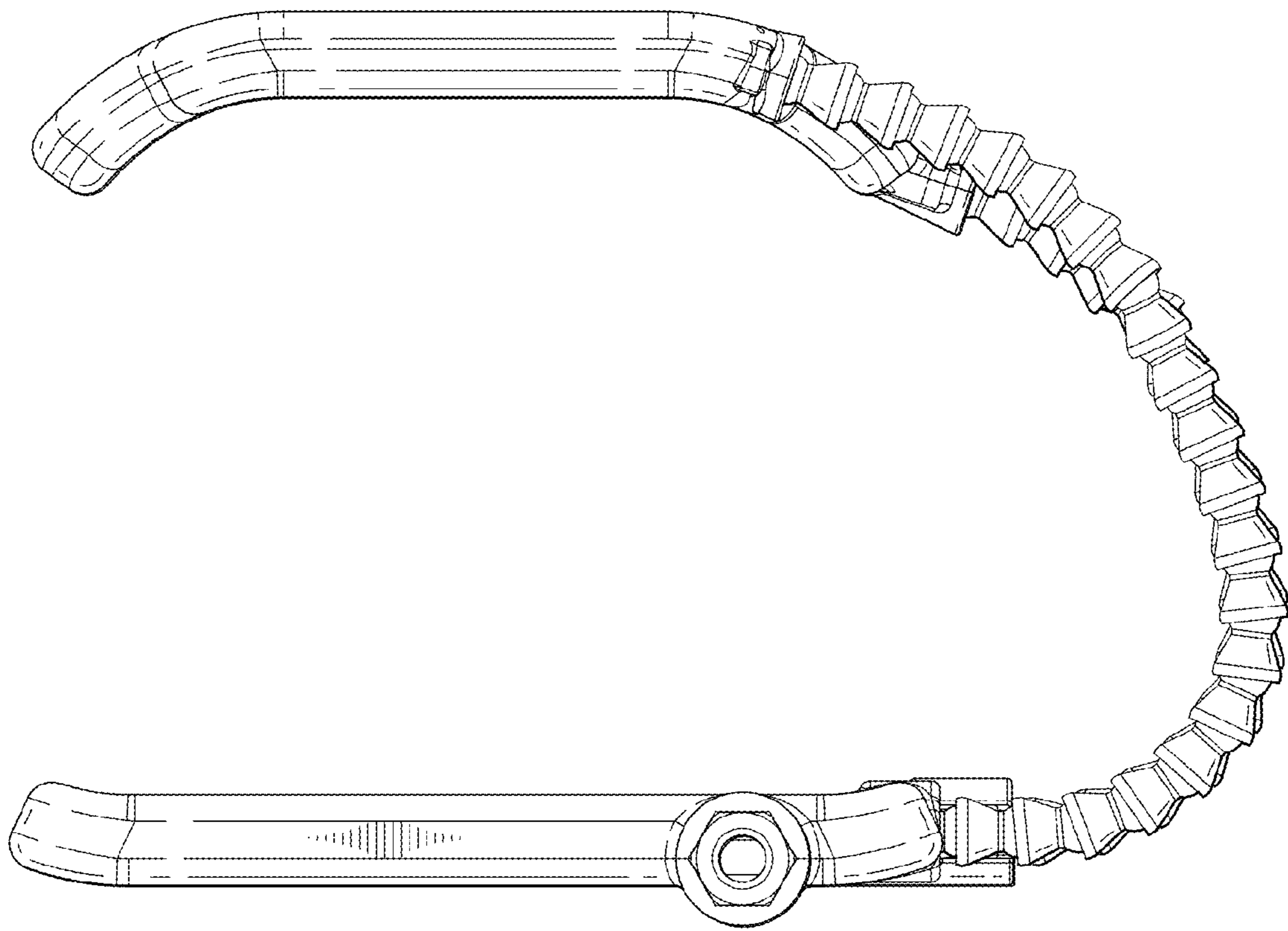


FIG. 3

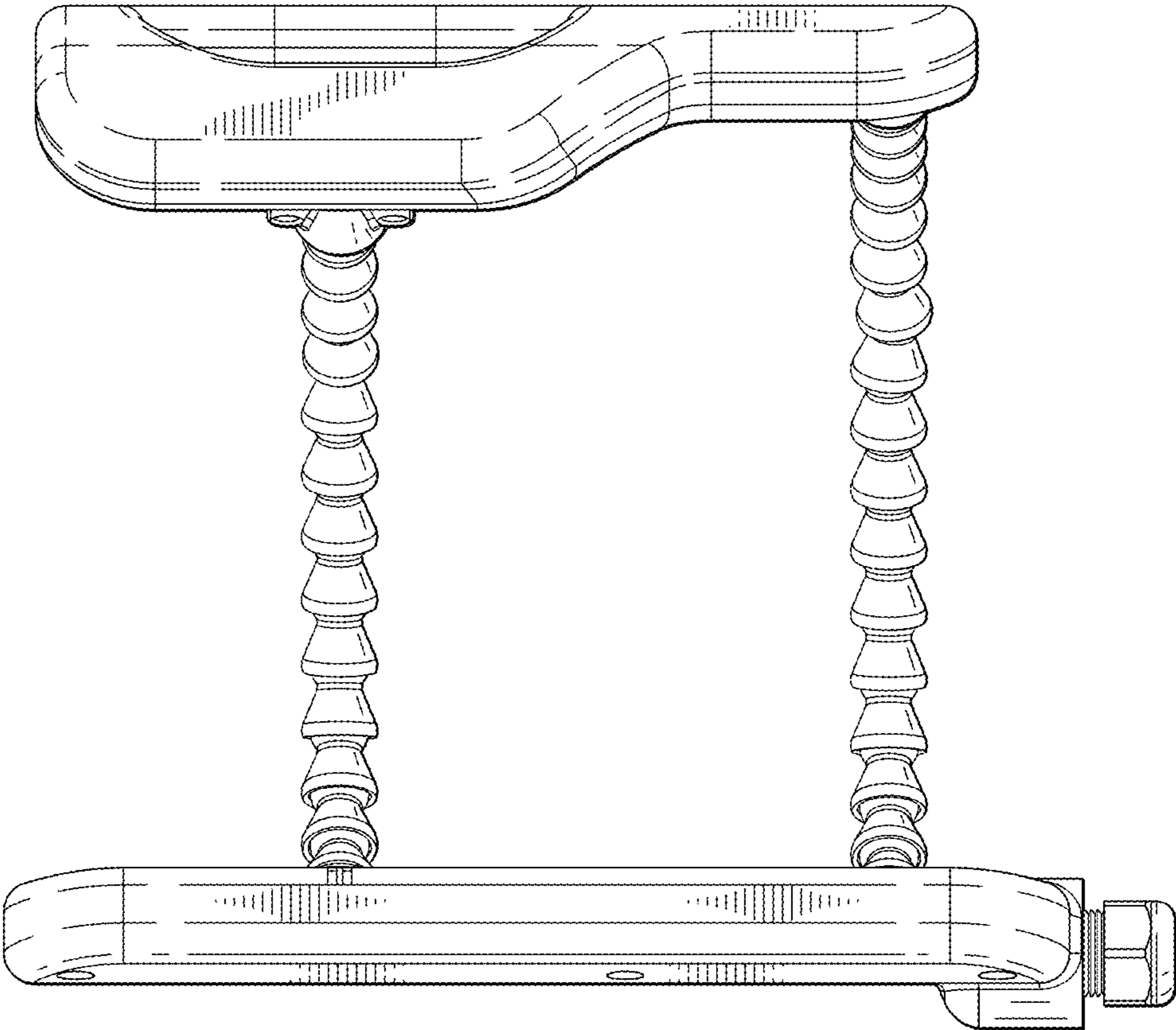


FIG. 4

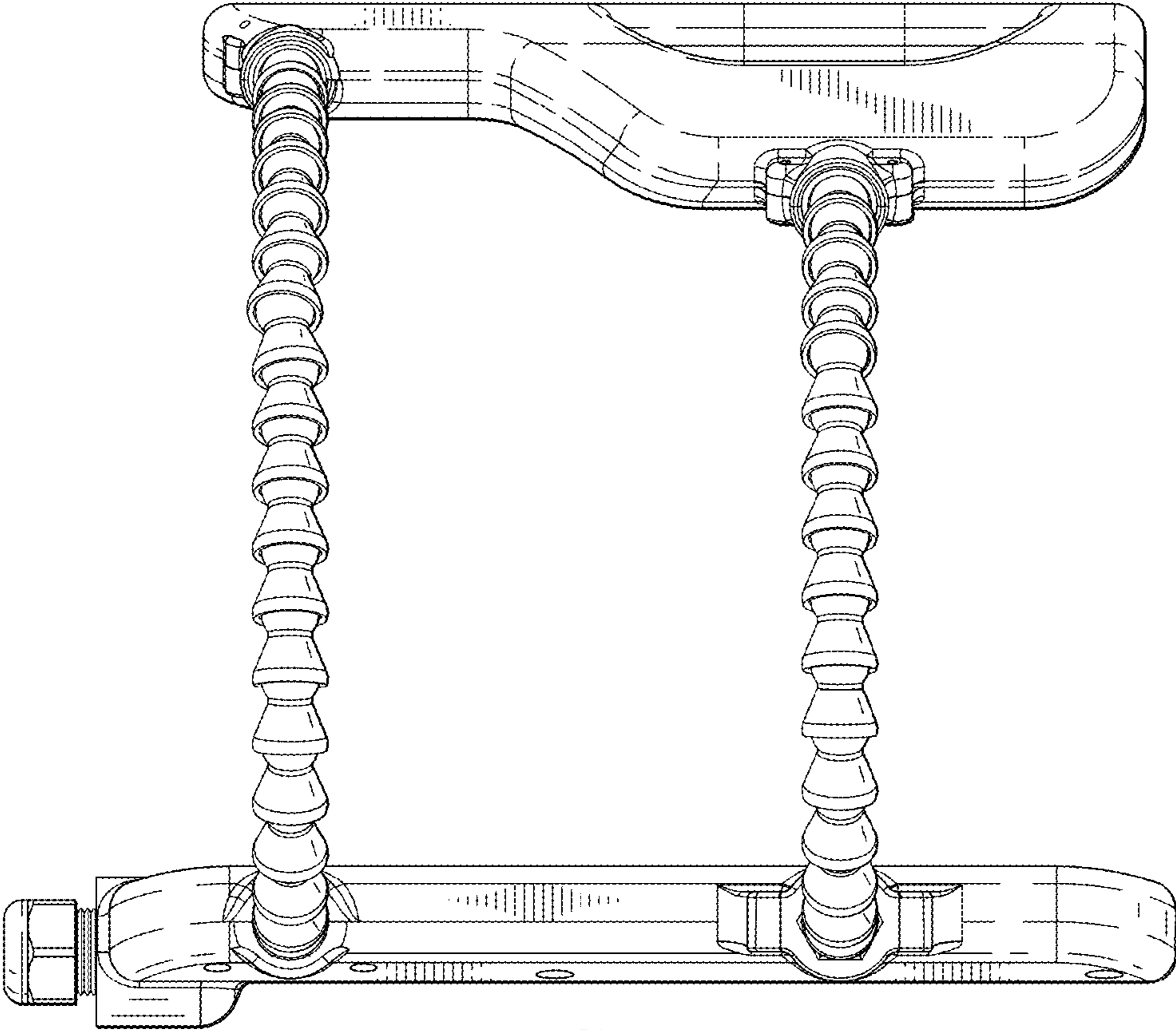


FIG. 5

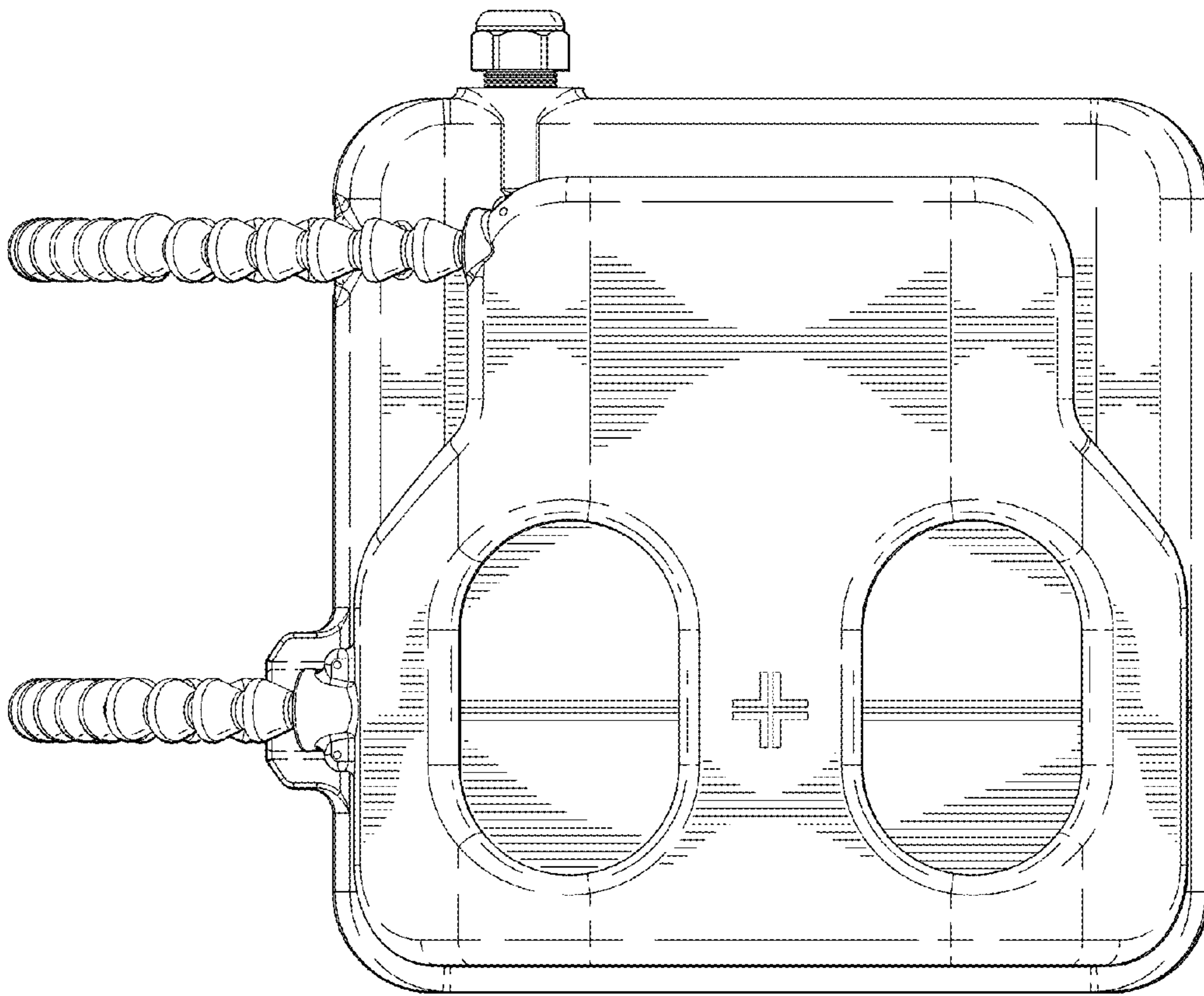


FIG. 6

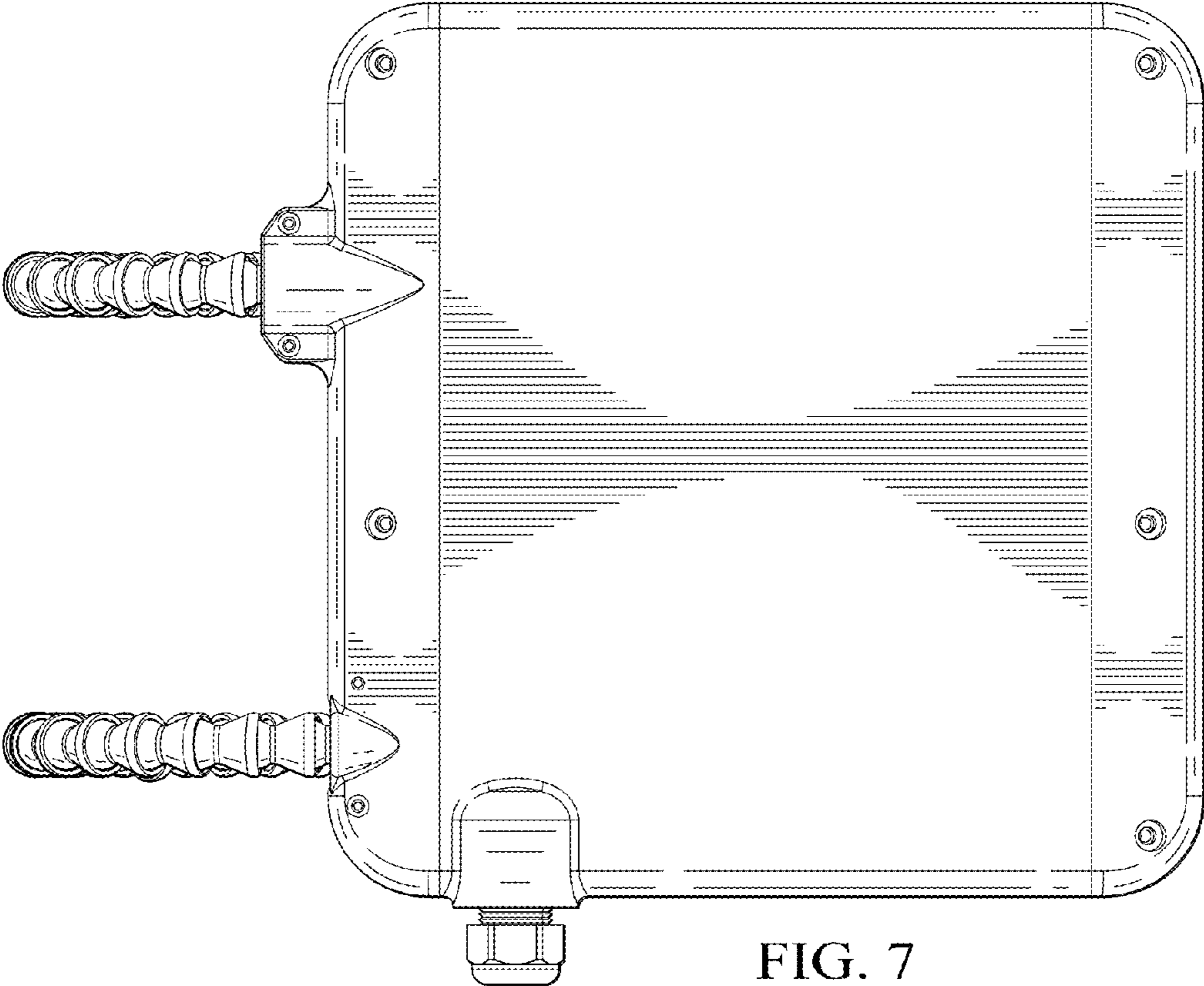


FIG. 7